



US00D824742S

(12) **United States Design Patent** (10) **Patent No.:** **US D824,742 S**
Hiler, Jr. et al. (45) **Date of Patent:** **** Aug. 7, 2018**

(54) **SHARPENING TOOL**
 (71) Applicant: **Spec Tool Company**, Sparta, MI (US)
 (72) Inventors: **Lee B. Hiler, Jr.**, Comstock Park, MI (US); **Tim L. Rood**, Cedar Springs, MI (US); **Barry A. Hartwell, II**, Ada, MI (US)
 (73) Assignee: **Spec Tool Company**, Sparta, MI (US)

D394,596 S * 5/1998 Byers D8/91
 D404,278 S * 1/1999 Gore D8/91
 6,149,662 A * 11/2000 Pugliesi B24D 15/063
 451/45
 6,817,269 B1 11/2004 Grace, Jr.
 D525,509 S * 7/2006 Weschenfelder D8/91
 D570,179 S * 6/2008 Byers D8/93
 D587,549 S * 3/2009 Smith D8/91
 D744,803 S * 12/2015 Johnson D8/93
 D773,913 S * 12/2016 Severinson D8/93

(**) Term: **15 Years**
 (21) Appl. No.: **29/596,706**

* cited by examiner
Primary Examiner — Philip S Hyder
 (74) *Attorney, Agent, or Firm* — Warner Norcross + Judd, LLP

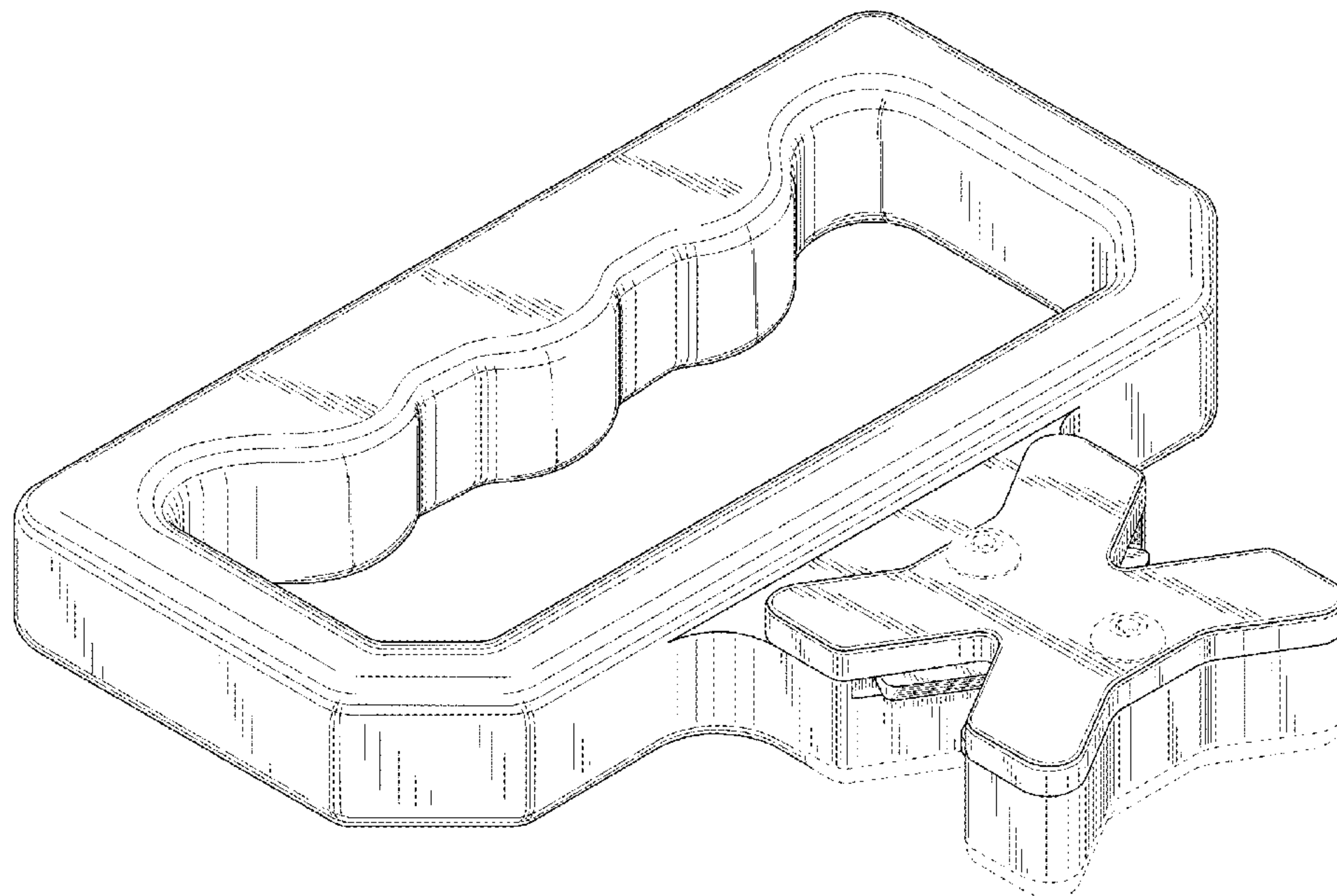
(22) Filed: **Mar. 10, 2017**
 (51) **LOC (11) Cl.** **08-05**
 (52) **U.S. Cl.**
 USPC **D8/93**
 (58) **Field of Classification Search**
 USPC D8/63, 90, 91, 92, 93, 14
 CPC ... B23Q 3/00; B23Q 3/36; B23Q 3/48; B23Q 3/54; B23Q 3/546; B24D 15/00; B24D 15/06; B24D 15/063; B24D 15/065; B24D 15/08; B24D 15/081; B24D 15/085
 See application file for complete search history.

(57) **CLAIM**
 The ornamental design for sharpening tool, as shown and described.

(56) **References Cited**
 U.S. PATENT DOCUMENTS
 1,151,627 A 8/1915 Taylor et al.
 1,622,197 A 3/1927 Keezer et al.
 2,038,445 A 4/1936 Ransom
 4,530,188 A 7/1985 Graves
 D309,415 S * 7/1990 Shimizu D8/63
 D365,740 S * 1/1996 Smith D8/93
 D367,598 S * 3/1996 Fortenberry D8/91
 D387,262 S * 12/1997 Byers D8/91

DESCRIPTION
 FIG. 1 is a perspective view of the sharpening tool embodying the new design;
 FIG. 2 is a front view thereof;
 FIG. 3 is a rear view thereof;
 FIG. 4 is a right side view thereof;
 FIG. 5 is a left side view thereof;
 FIG. 6 is a top view thereof; and,
 FIG. 7 is a bottom view thereof.
 FIGS. 1-7 show features of a sharpening tool in broken lines. These features are shown for environmental purposes and do not form any part of the claimed design. The broken lines immediately adjacent the solid line portions of the design form the boundary of the design, with the broken lines forming no part of the claimed design.

1 Claim, 4 Drawing Sheets



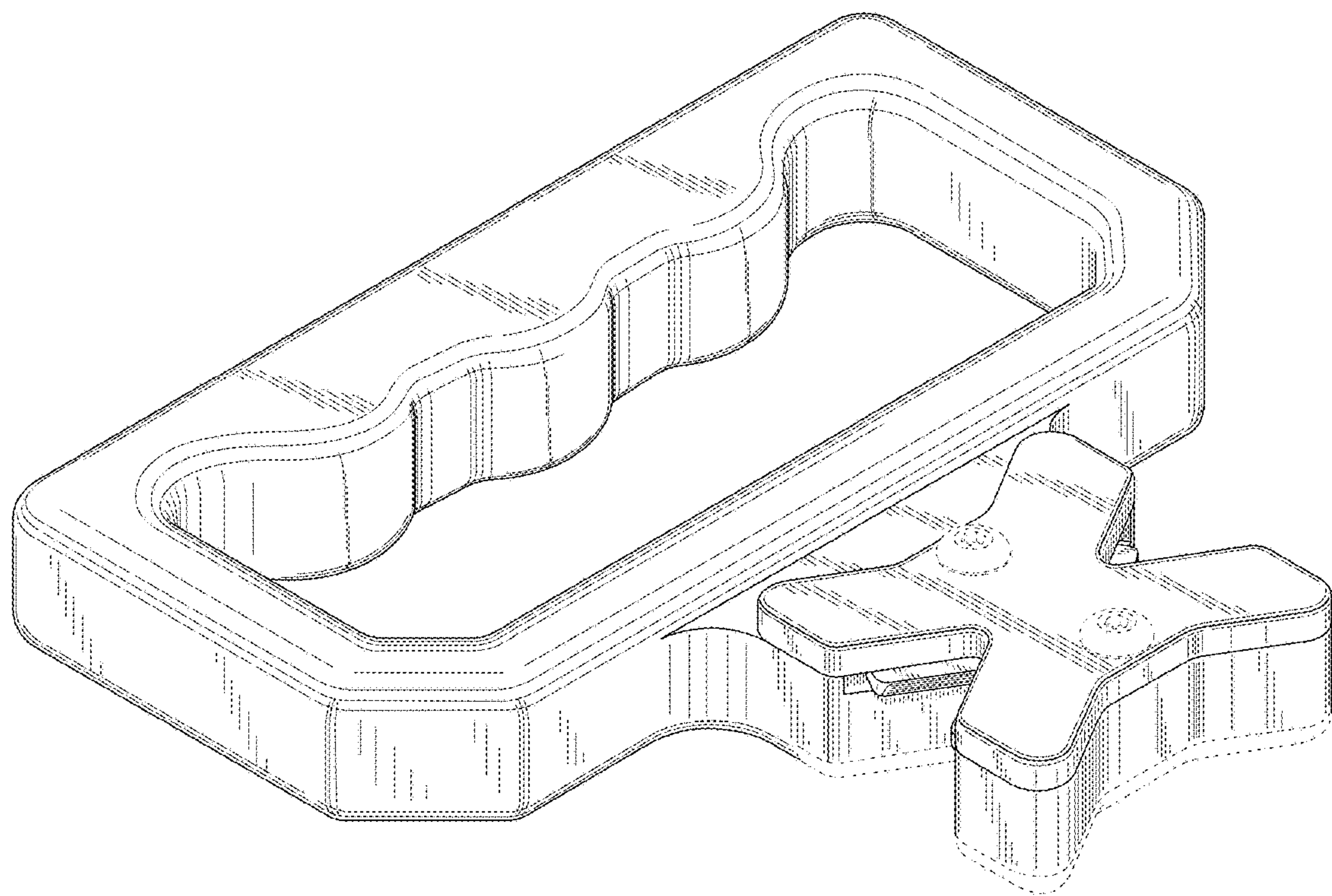


Fig. 1

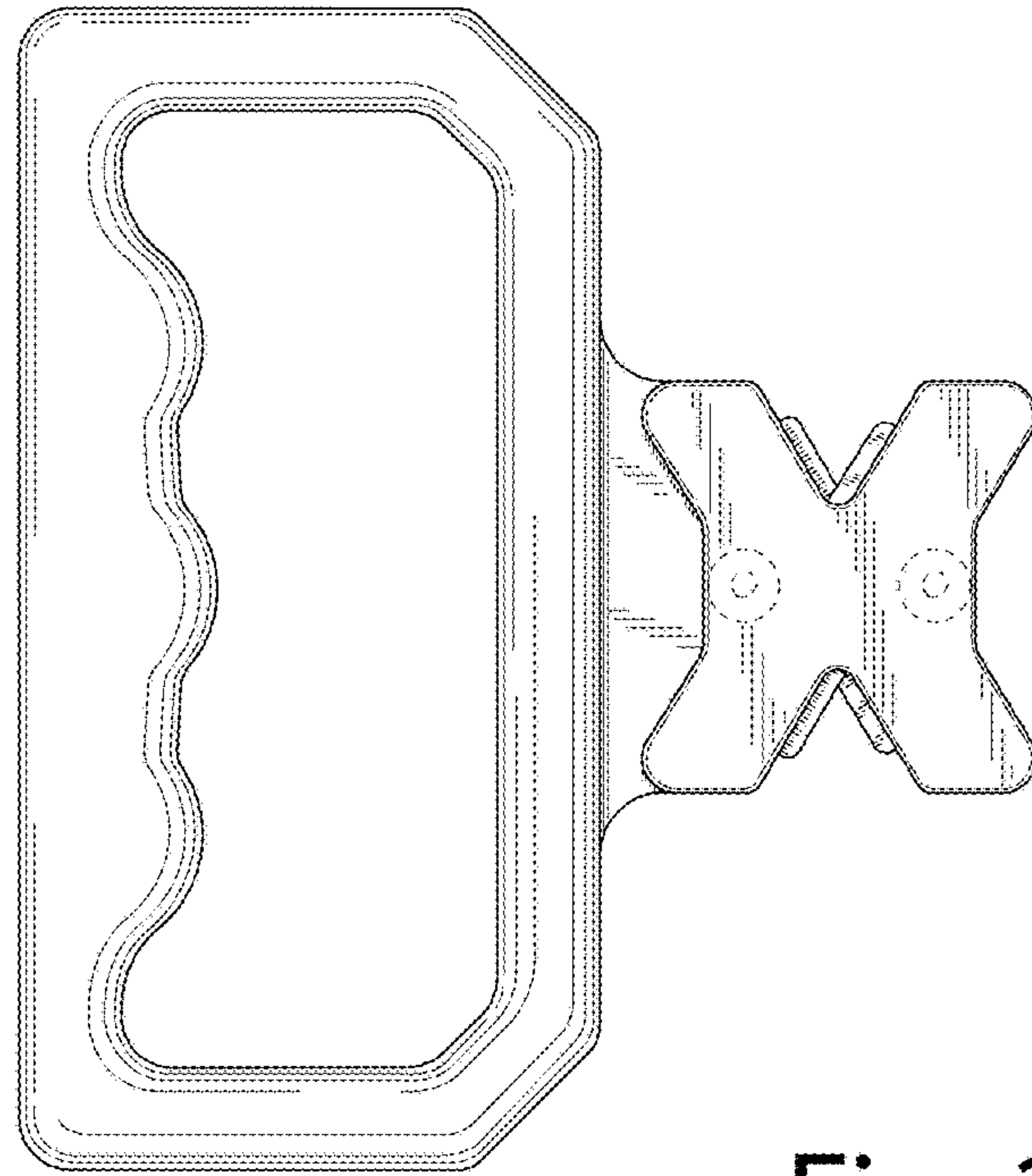


Fig. 2

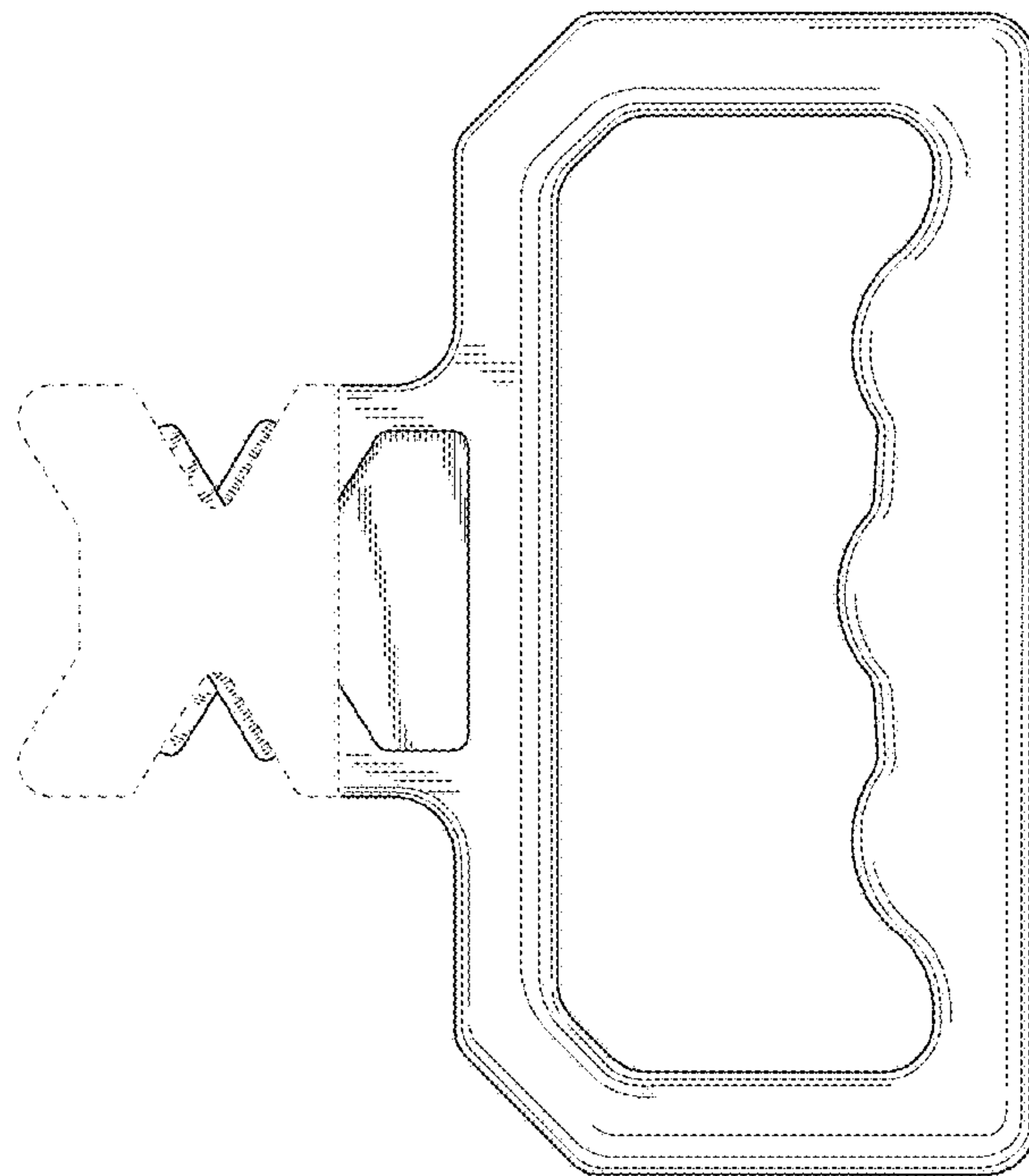


Fig. 3

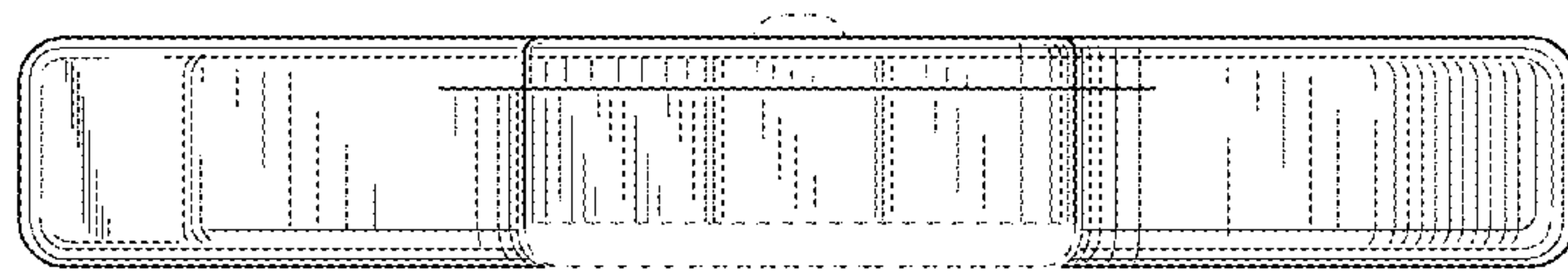


Fig. 4

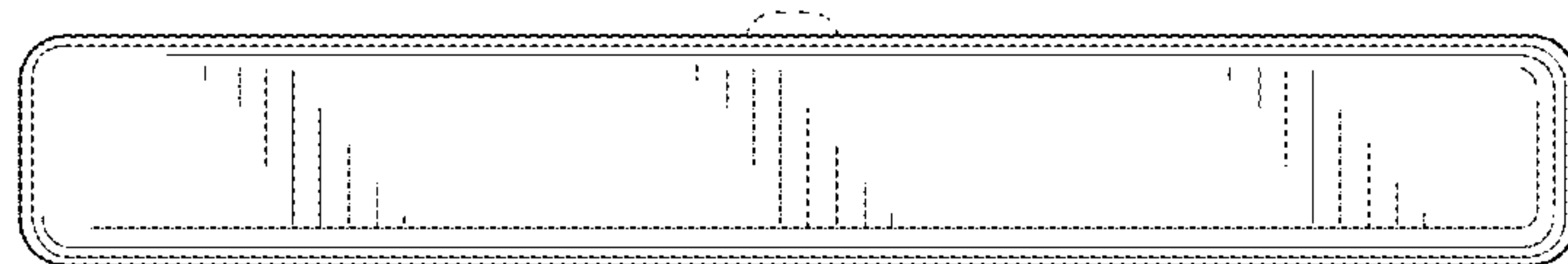


Fig. 5

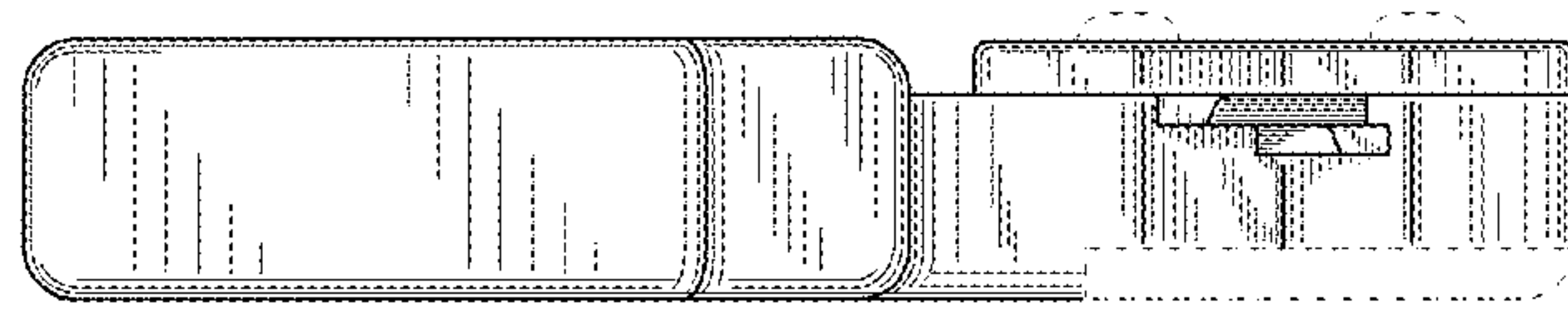


Fig. 6

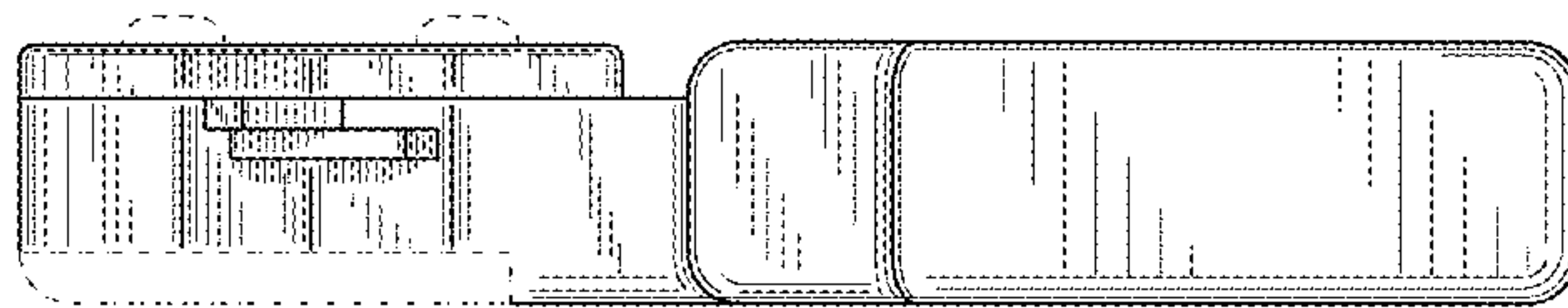


Fig. 7