



US00D824741S

(12) **United States Design Patent**
Davis

(10) **Patent No.:** **US D824,741 S**

(45) **Date of Patent:** **** Aug. 7, 2018**

(54) **DRILLING JIG**

(71) Applicant: **Hardware Resources, Inc.**, Bossier City, LA (US)

(72) Inventor: **Greg Davis**, Dallas, TX (US)

(73) Assignee: **HARDWARE RESOURCES, INC.**, Bossier City, LA (US)

(**) Term: **15 Years**

(21) Appl. No.: **29/561,276**

(22) Filed: **Apr. 14, 2016**

(51) **LOC (11) Cl.** **08-05**

(52) **U.S. Cl.**
USPC **D8/71**

(58) **Field of Classification Search**
USPC D8/70; D10/61, 64, 65; D15/138, 140
CPC B23B 41/12; B23B 47/28; B23B 47/281;
B23B 49/02; B23B 49/023; B23G 1/22;
B23Q 11/88; B25B 5/147; B25H 1/064;
B25H 1/0078

See application file for complete search history.

(56) **References Cited**

U.S. PATENT DOCUMENTS

D323,245 S * 1/1992 Hobson D3/313
D393,217 S * 4/1998 Brickman D10/64

D393,218 S * 4/1998 Brickman D10/64
D571,233 S * 6/2008 Rys, Jr. D10/64
D705,632 S * 5/2014 Larson D8/71
D724,405 S * 3/2015 Larson D8/71
D734,680 S * 7/2015 Eisinger D10/64
9,636,752 B2* 5/2017 Adkin B23B 47/281

* cited by examiner

Primary Examiner — Phillip S Hyder

(74) *Attorney, Agent, or Firm* — Schultz & Associates, P.C.

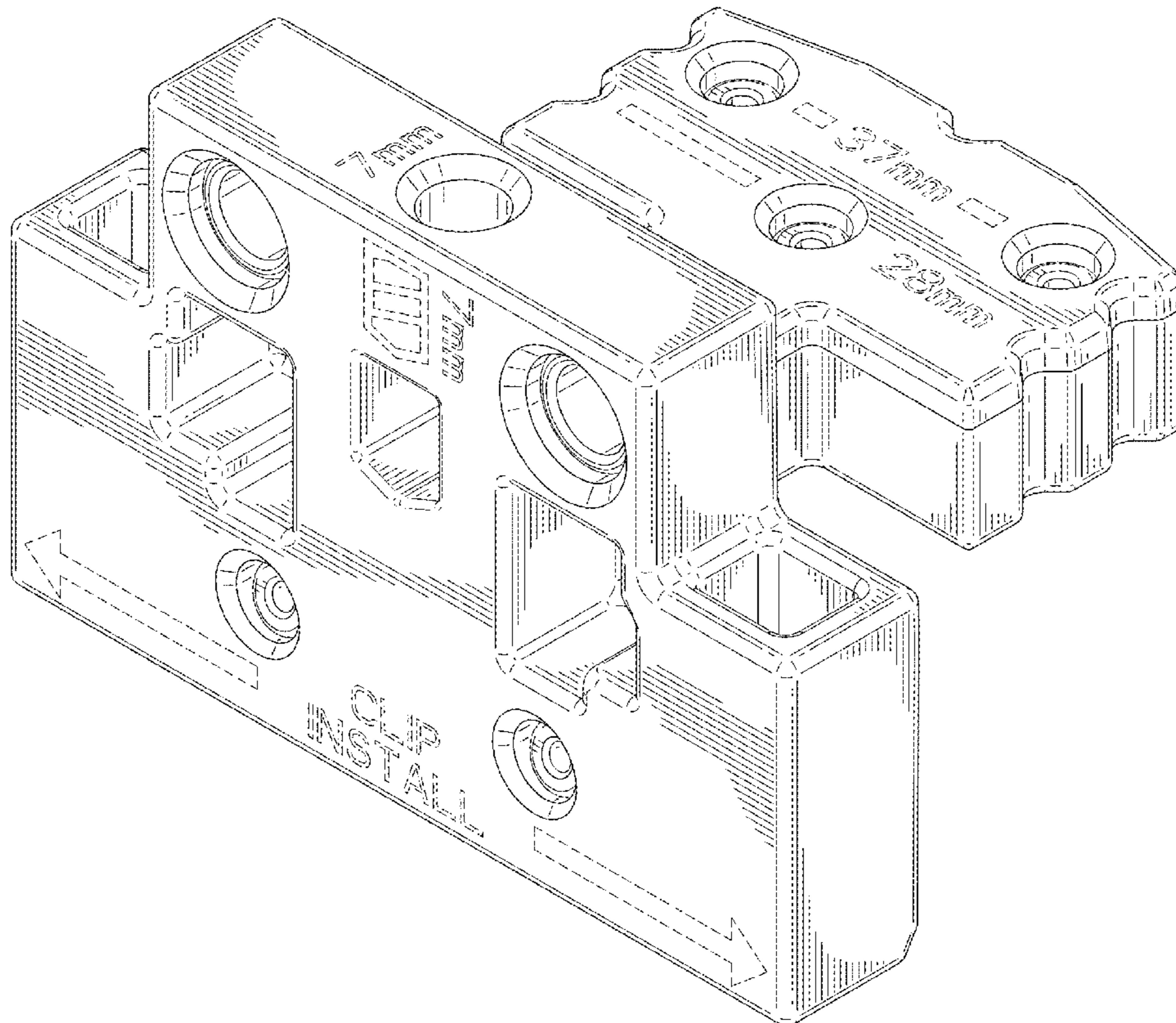
(57) **CLAIM**

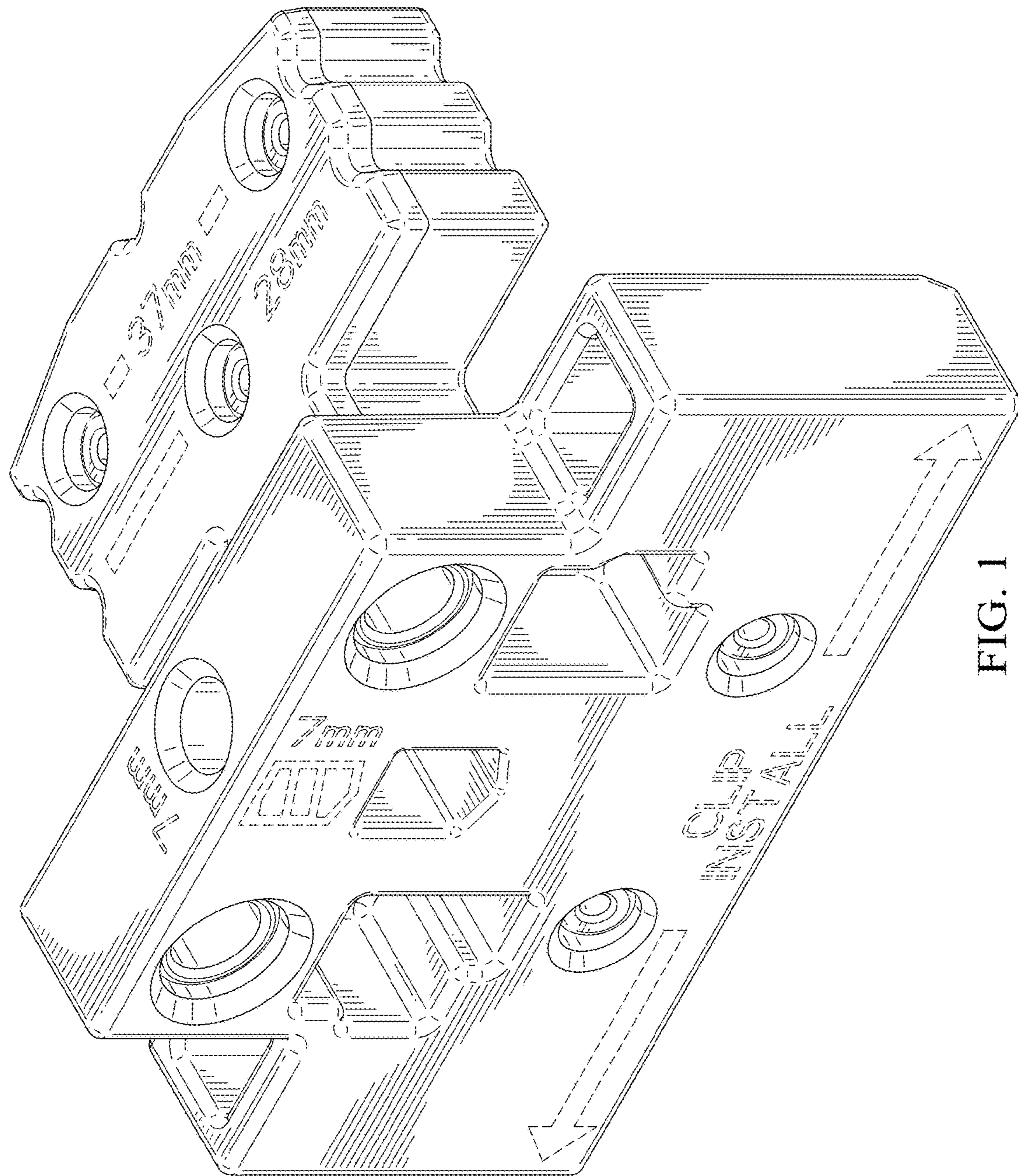
The ornamental design for a drilling jig, as shown and described.

DESCRIPTION

FIG. 1 is a perspective view of a drilling jig showing my new design;
FIG. 2 is a front elevation view thereof;
FIG. 3 is a rear elevation view thereof;
FIG. 4 is a side elevation view thereof;
FIG. 5 is a second side elevation view thereof;
FIG. 6 is a top plan view thereof; and,
FIG. 7 is a bottom plan view thereof.
The broken lines depict portions of the drilling jig in which the design is embodied that are not considered part of the claimed design.

1 Claim, 6 Drawing Sheets





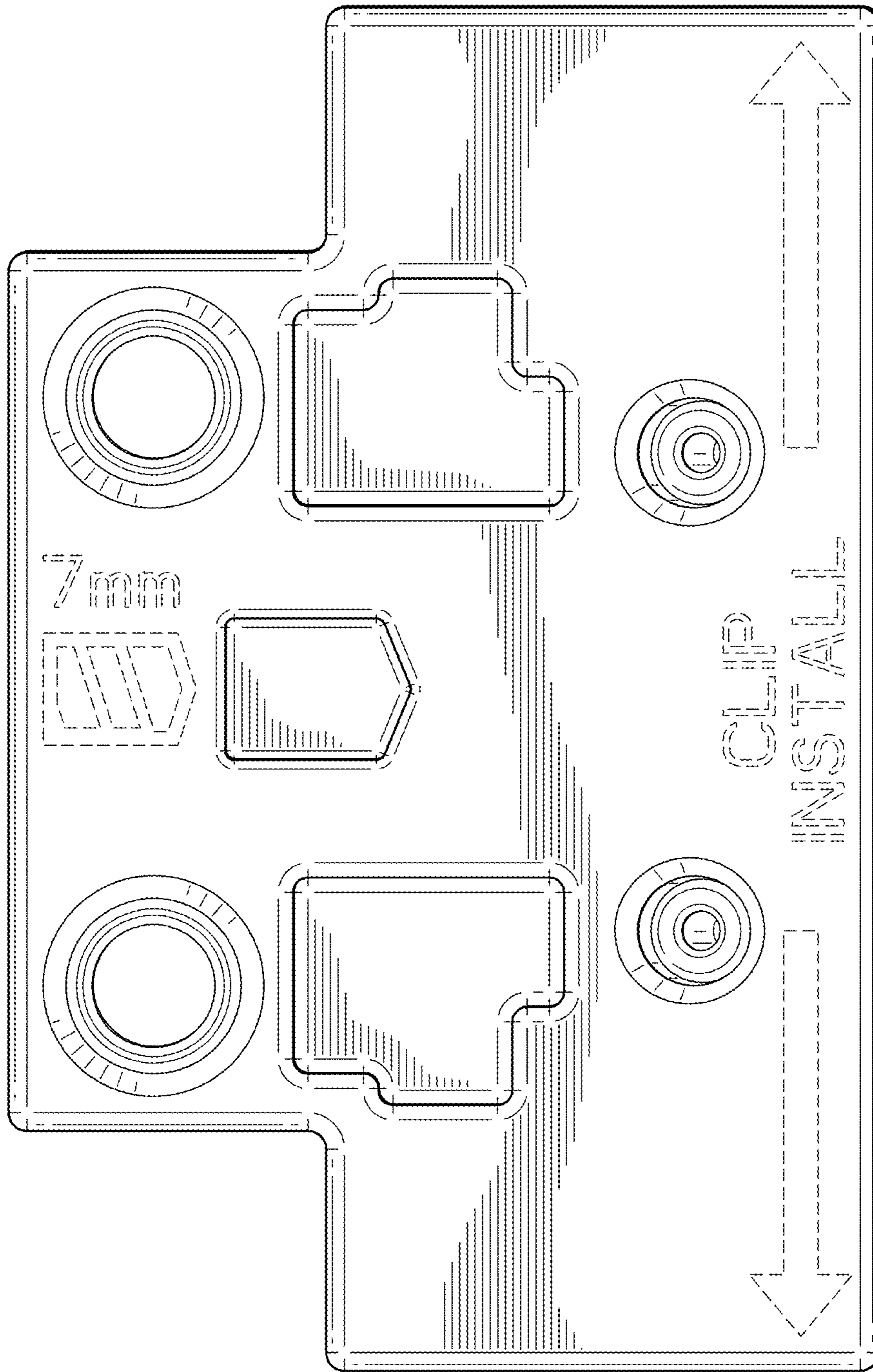


FIG. 2

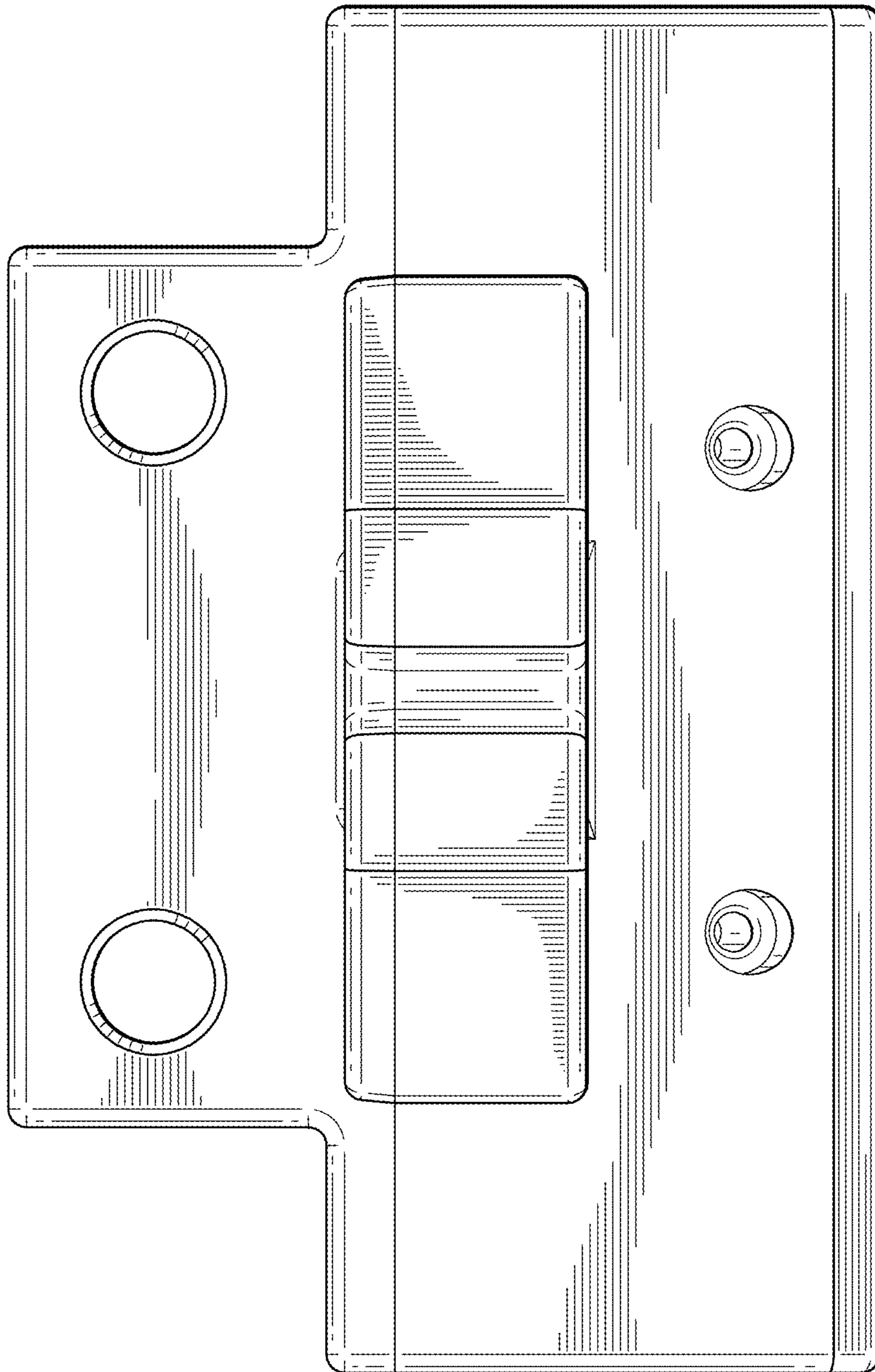


FIG. 3

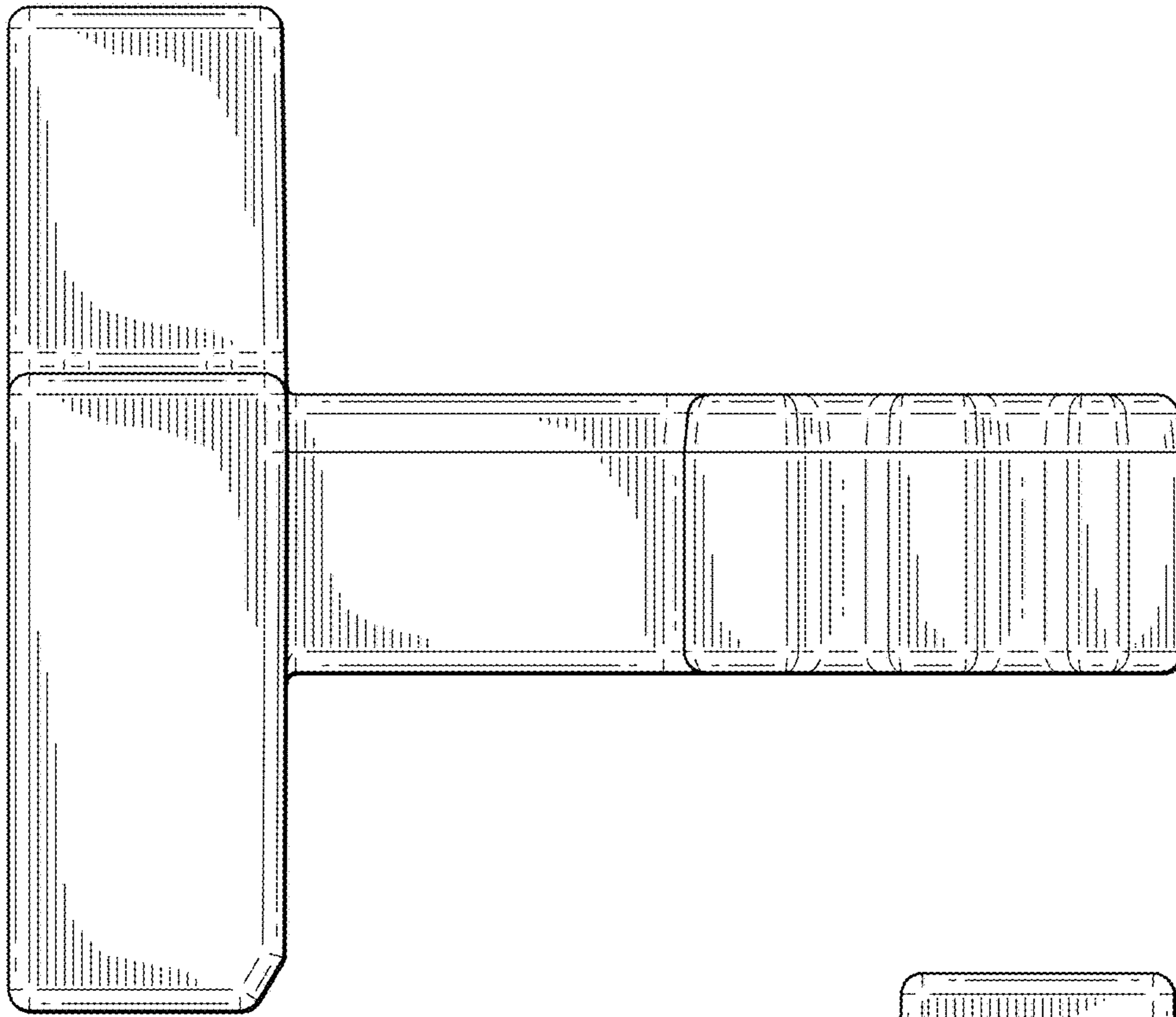


FIG. 4

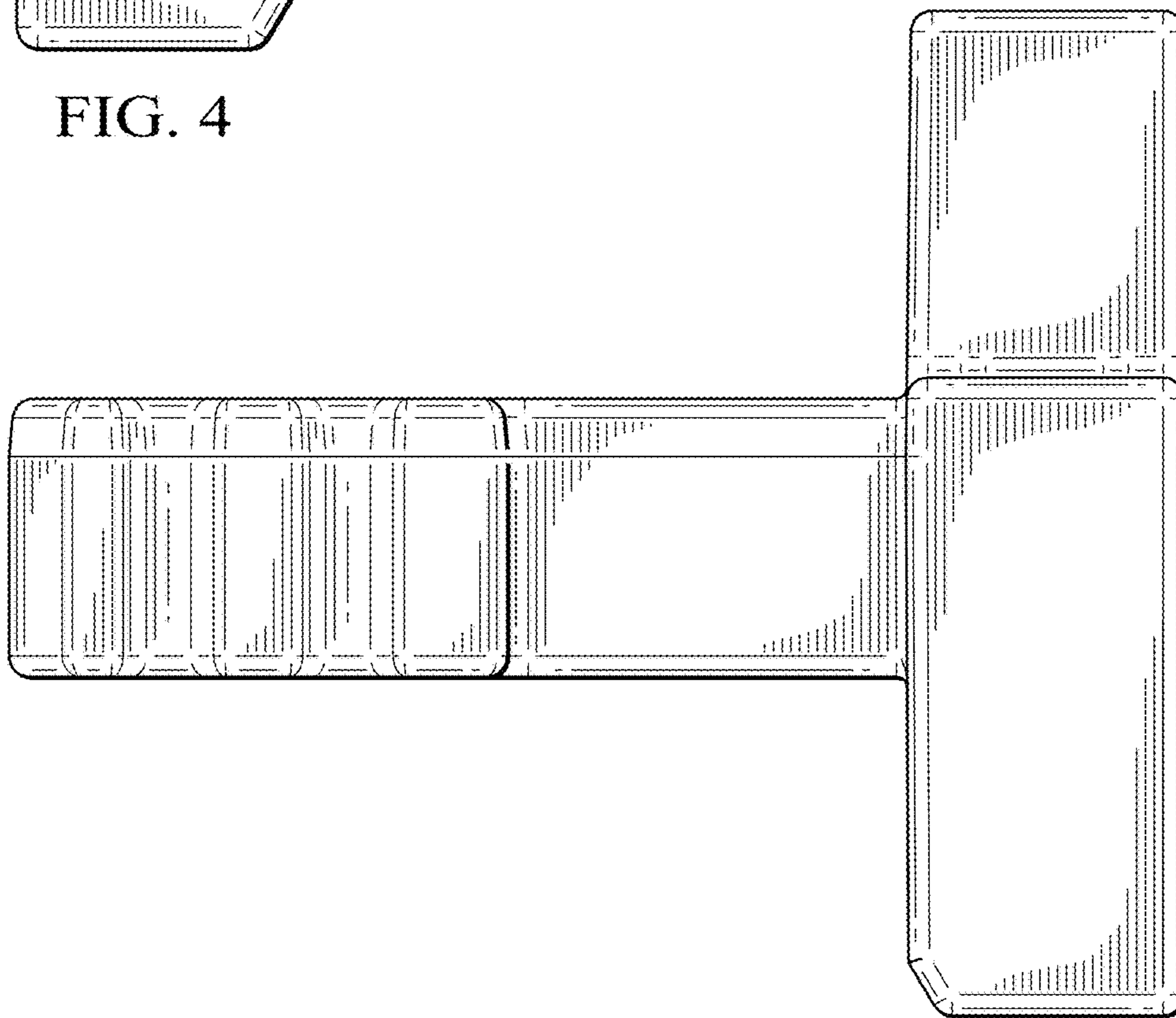


FIG. 5

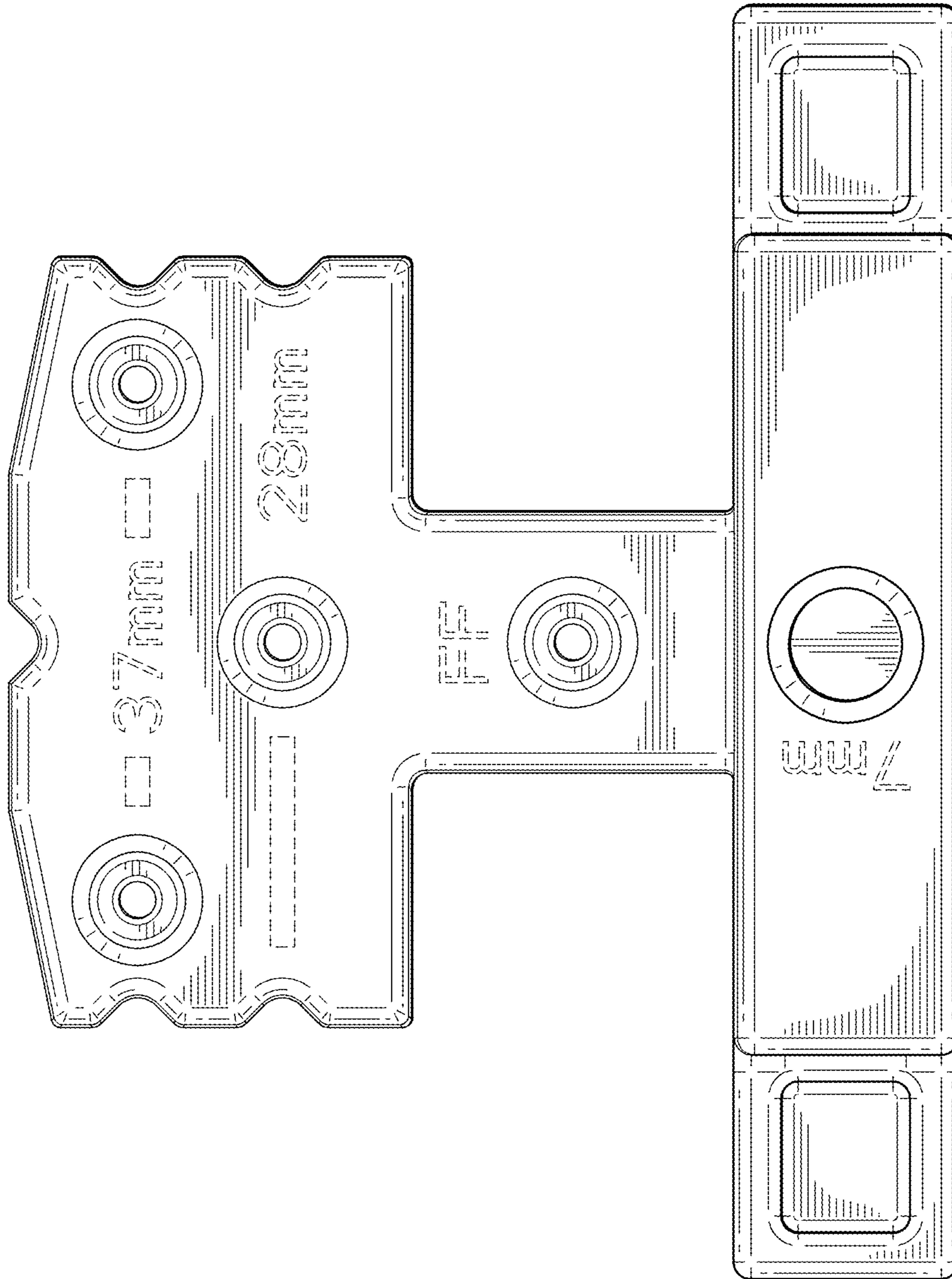


FIG. 6

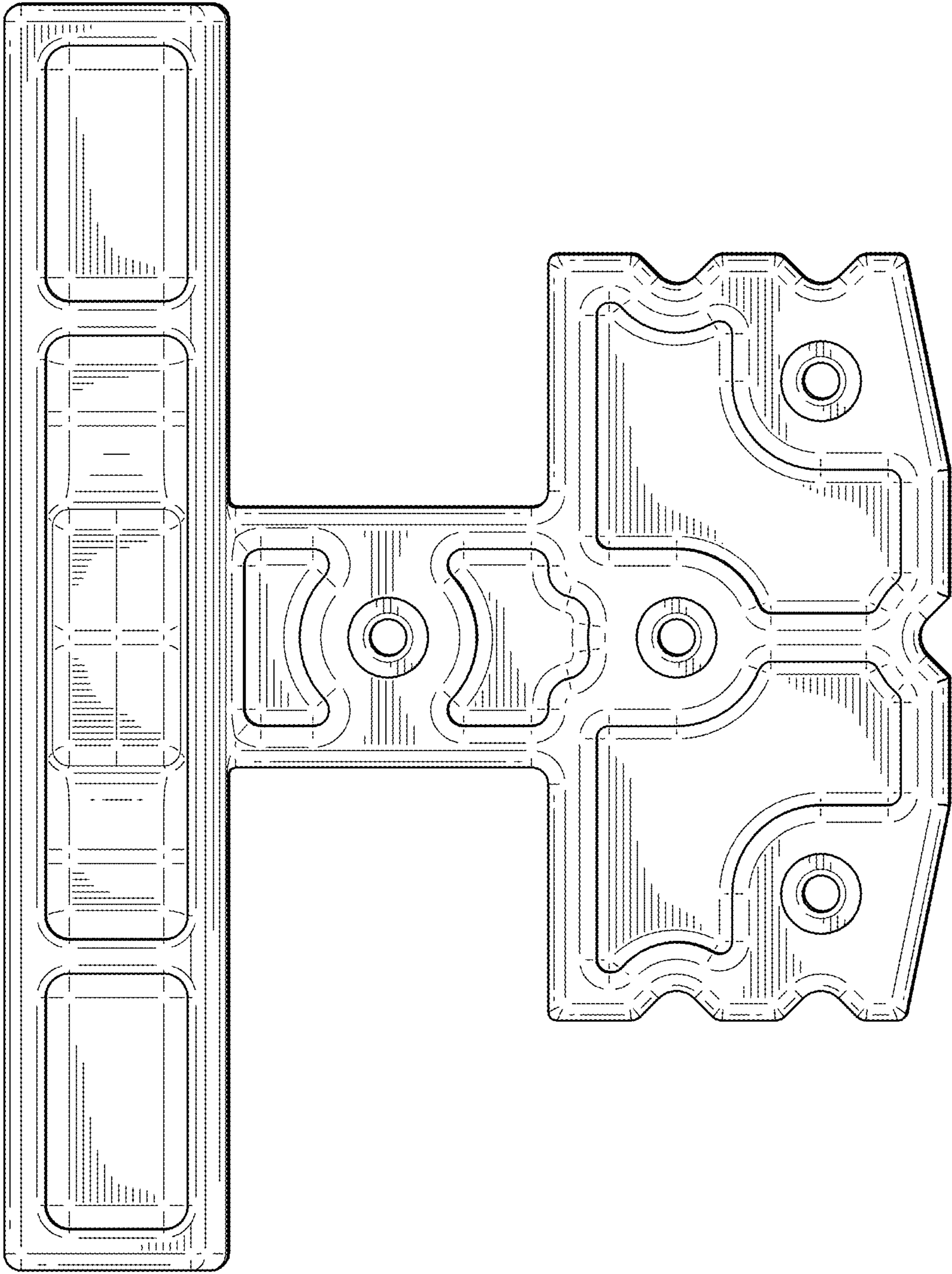


FIG. 7