

US00D824740S

(12) **United States Design Patent**
Sutter et al.

(10) **Patent No.:** **US D824,740 S**
(45) **Date of Patent:** **** Aug. 7, 2018**

(54) **MODULAR ELECTRICAL CONNECTOR
CRIMPING TOOL**

(71) Applicant: **IDEAL Industries, Inc.**, Sycamore, IL
(US)

(72) Inventors: **Robert W. Sutter**, DeKalb, IL (US);
Jeffrey Meader, Naperville, IL (US)

(73) Assignee: **IDEAL Industries, Inc.**, Sycamore, IL
(US)

(**) Term: **15 Years**

(21) Appl. No.: **29/599,493**

(22) Filed: **Apr. 4, 2017**

(51) **LOC (11) Cl.** **08-03**

(52) **U.S. Cl.**
USPC **D8/61**

(58) **Field of Classification Search**
USPC D8/61, 62, 67, 69; 81/57, 57.11, 57.14,
81/57.26, 429, 464, 469; 173/2, 170,
173/176, 181
CPC B25B 27/10; B25B 27/146; B25B 7/12;
B25B 7/126; B25B 27/00; B25B 28/00;
H01R 43/0428
See application file for complete search history.

(56) **References Cited**

U.S. PATENT DOCUMENTS

D405,233 S * 2/1999 Hirabayashi D8/61
7,254,982 B2 * 8/2007 Frenken B25B 27/10
60/477

7,841,223 B2 * 11/2010 Rollins B25B 27/10
29/751
D657,221 S * 4/2012 Isobe D8/61
D673,829 S * 1/2013 Takeshima D8/61
D696,090 S * 12/2013 Takeshima D8/61
D716,124 S * 10/2014 Kamijyo D8/61
D734,112 S * 7/2015 Herault D8/61
D767,959 S * 10/2016 Sokat D8/61
D767,960 S * 10/2016 Haneishi D8/61
D779,902 S * 2/2017 Sokat D8/61
2003/0188566 A1 * 10/2003 Lefavour B25B 27/10
72/453.16

* cited by examiner

Primary Examiner — Austin Murphy

(74) *Attorney, Agent, or Firm* — Greenberg Traurig, LLP

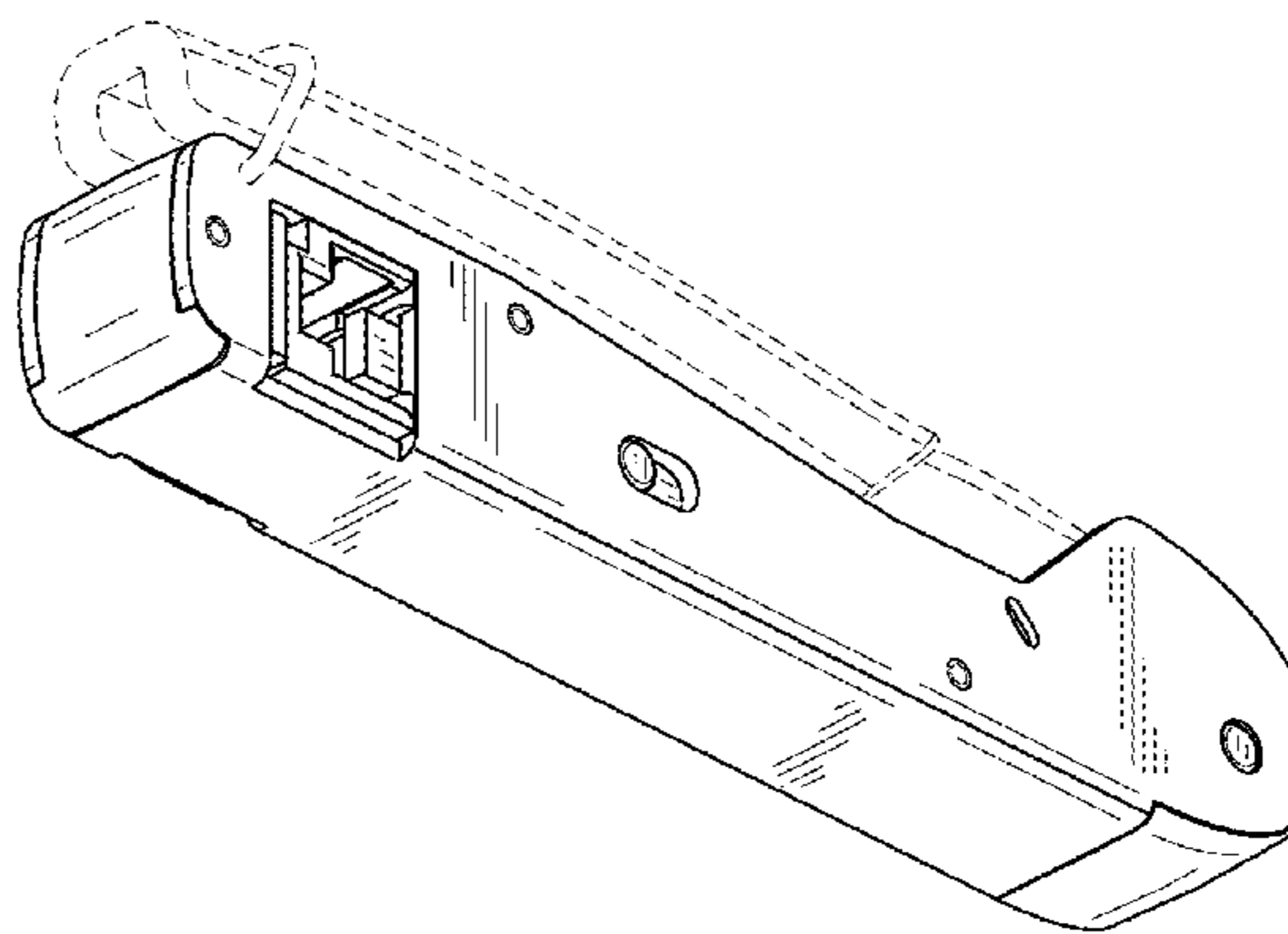
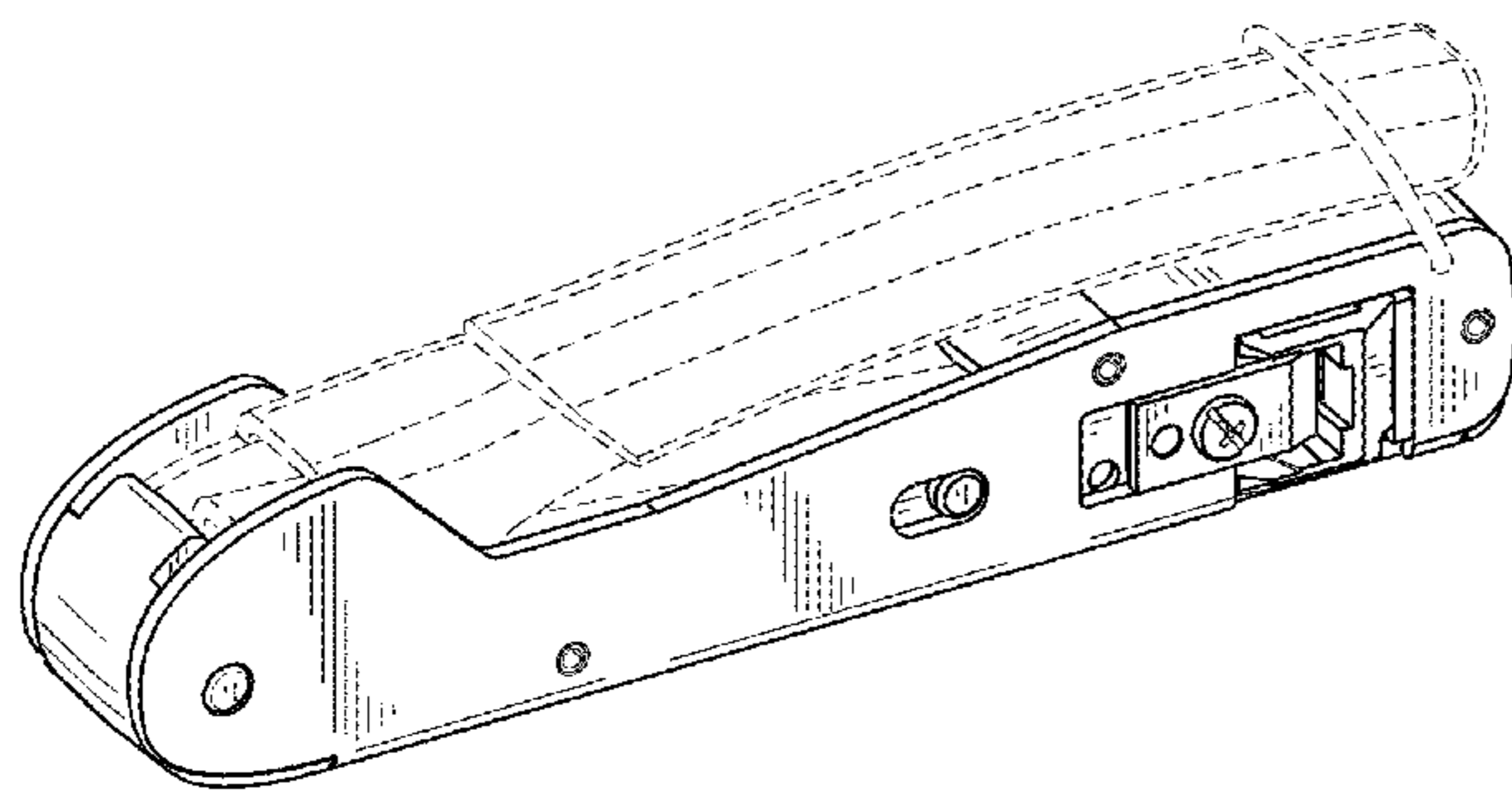
(57) **CLAIM**

The ornamental design for a modular electrical connector crimping tool, as shown and described.

DESCRIPTION

FIG. 1 is a top, right, front perspective view of a modular electrical connector crimping tool showing my new design; FIG. 2 is a bottom, left, rear perspective view thereof; FIG. 3 is a left elevational view thereof; FIG. 4 is a right elevational view thereof; FIG. 5 is a front side elevational view thereof; FIG. 6 is a rear side elevational view thereof; FIG. 7 is a top plan view thereof; and, FIG. 8 is a bottom plan view thereof. The broken lines in the figures form no part of the claimed design.

1 Claim, 4 Drawing Sheets



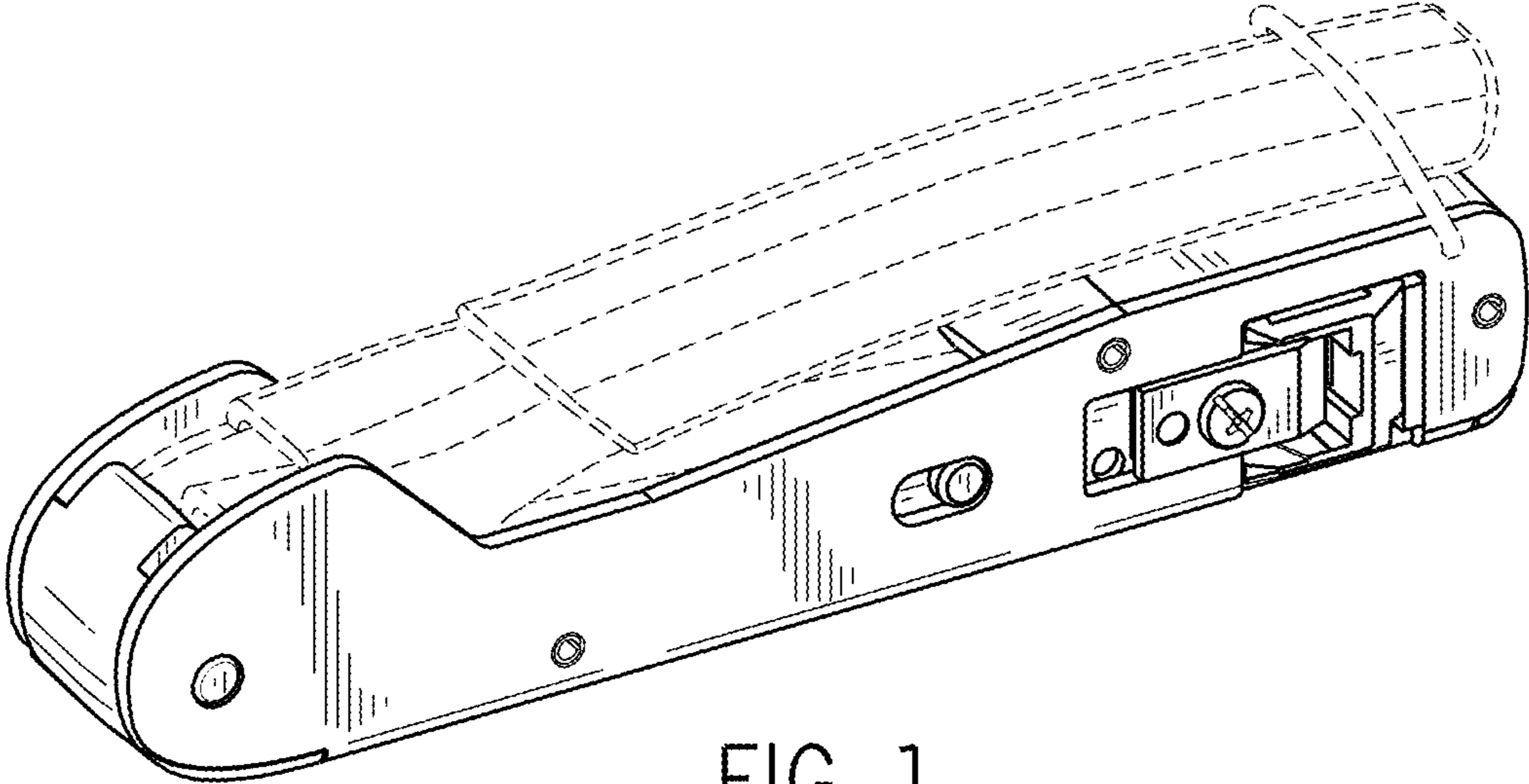


FIG. 1

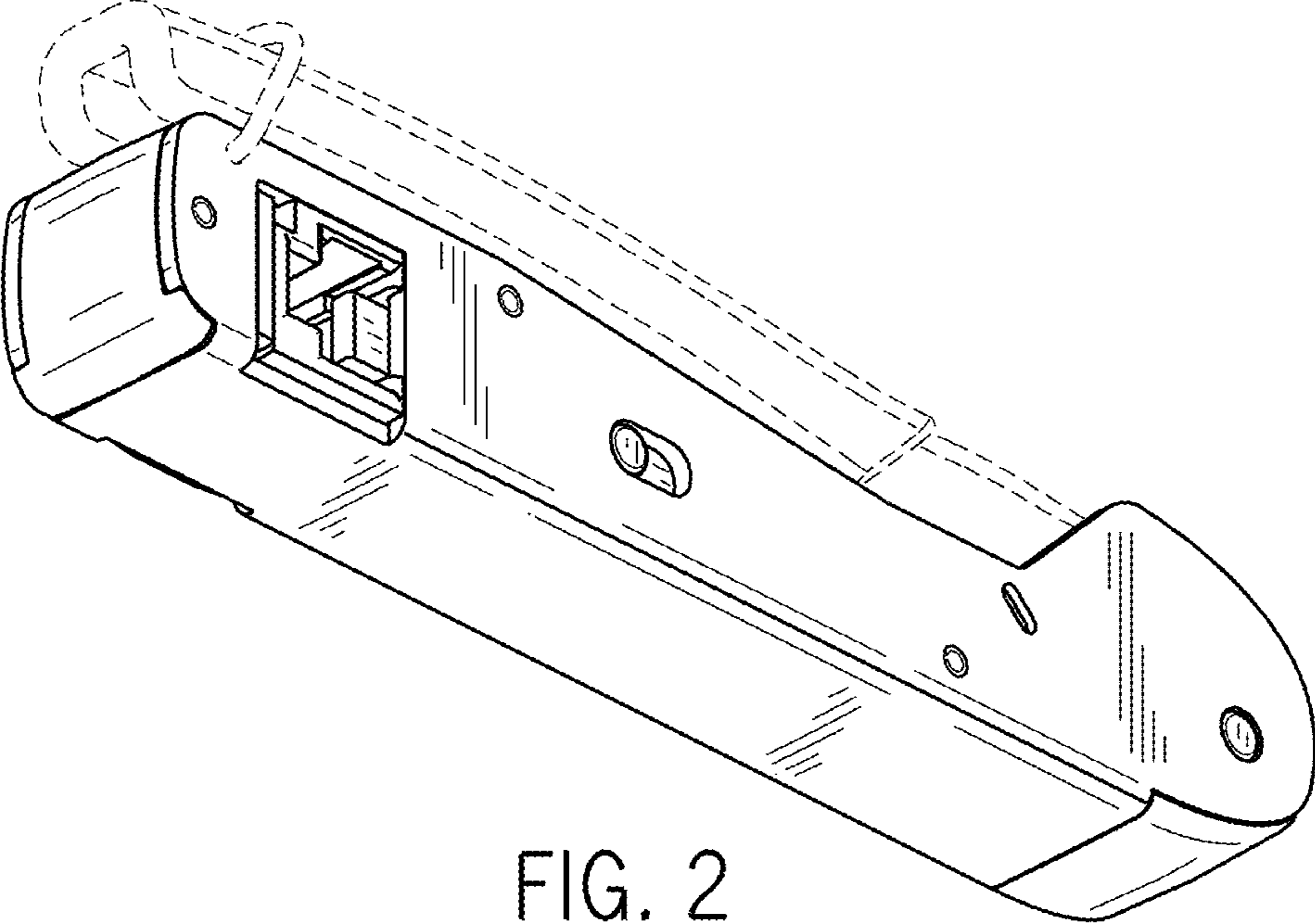


FIG. 2

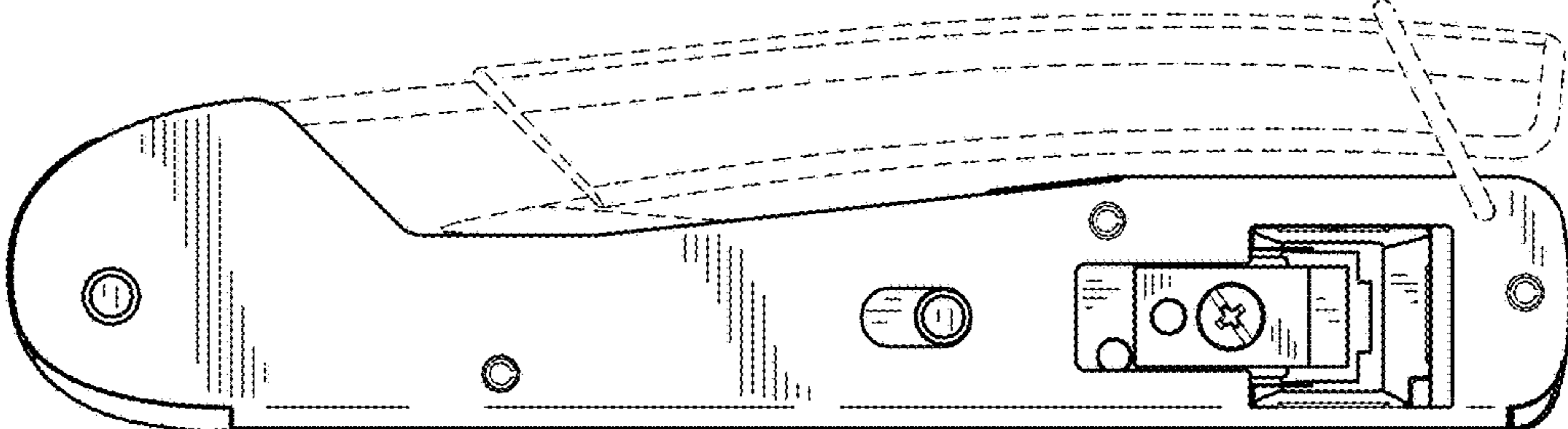


FIG. 3

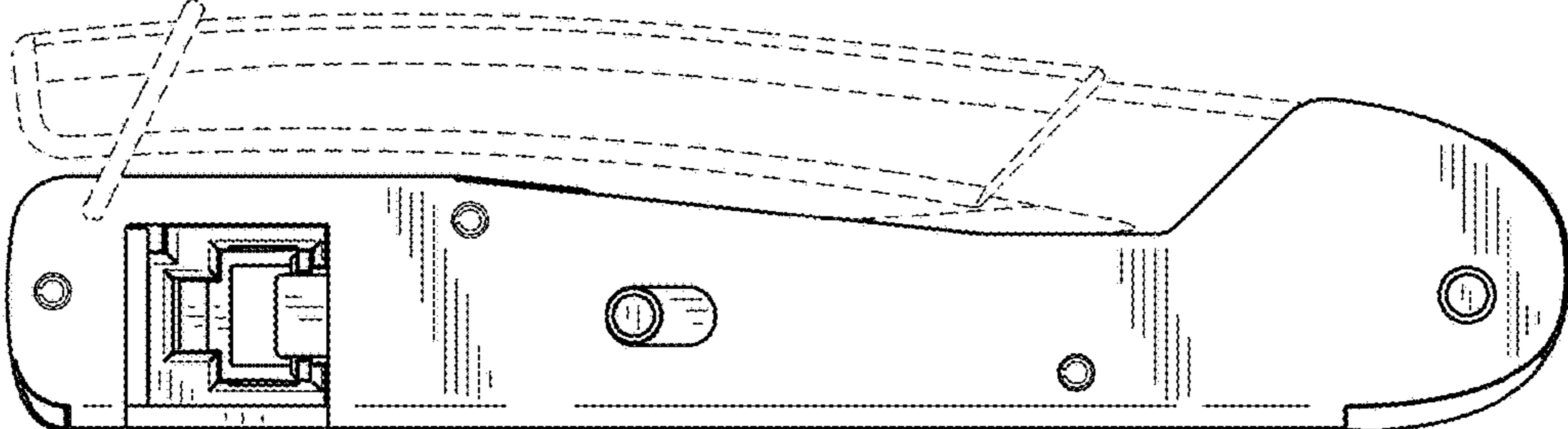


FIG. 4

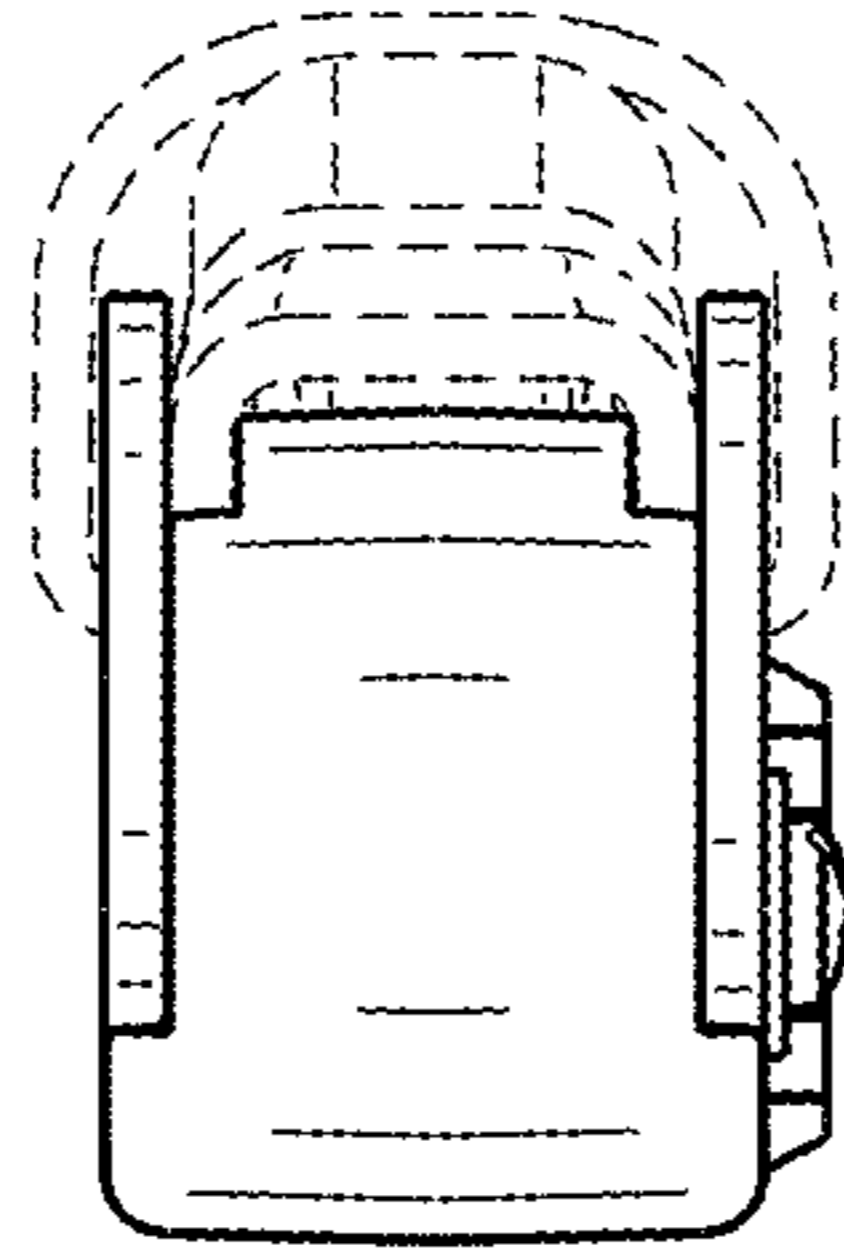


FIG. 5

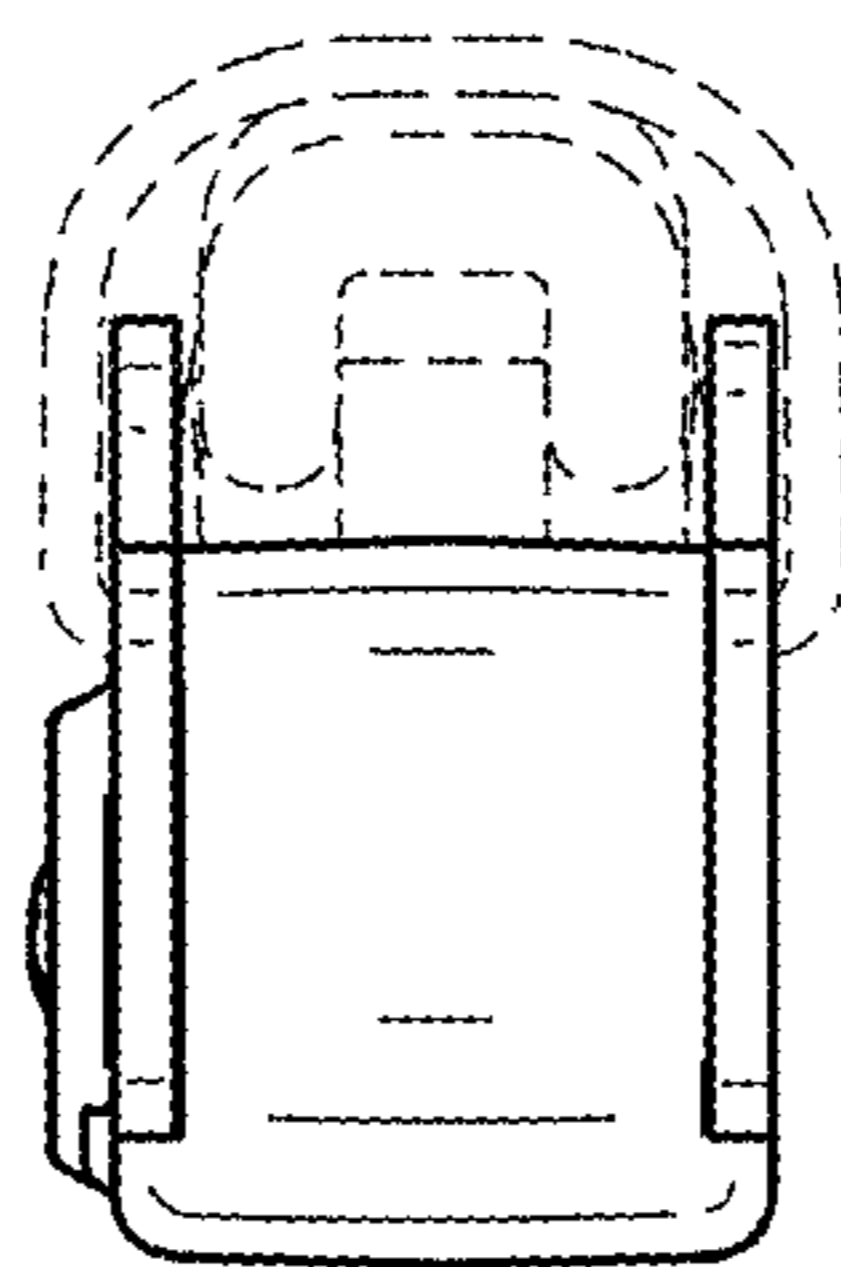


FIG. 6

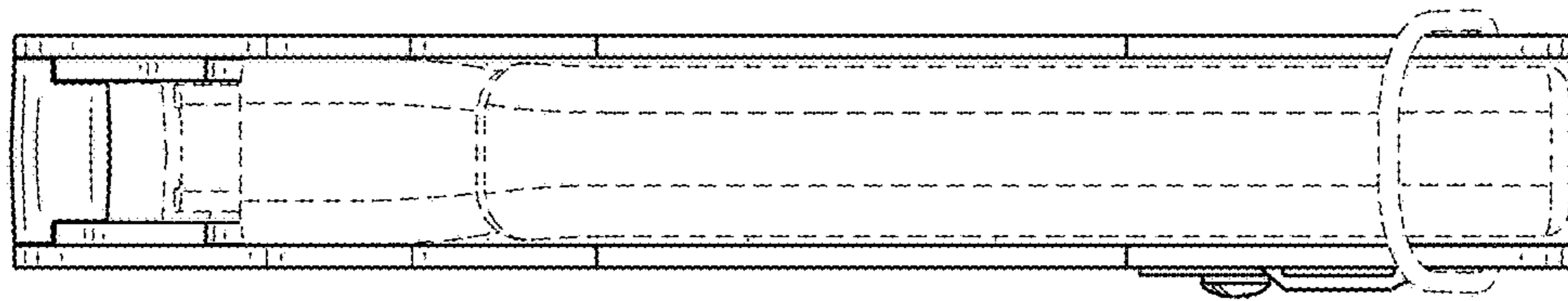


FIG. 7

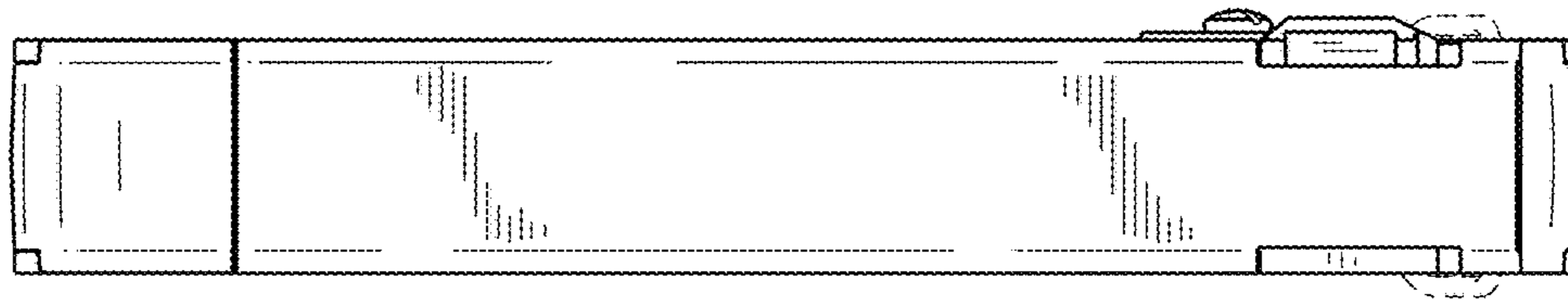


FIG. 8