



US00D824739S

(12) **United States Design Patent** (10) **Patent No.:** **US D824,739 S**  
**Sutter et al.** (45) **Date of Patent:** **\*\* Aug. 7, 2018**

(54) **MODULAR ELECTRICAL CONNECTOR CRIMPING TOOL**

(71) Applicant: **IDEAL Industries, Inc.**, Sycamore, IL (US)

(72) Inventors: **Robert W. Sutter**, DeKalb, IL (US);  
**Jeffrey Meader**, Naperville, IL (US)

(73) Assignee: **IDEAL Industries, Inc.**, Sycamore, IL (US)

(\*\*) Term: **15 Years**

(21) Appl. No.: **29/599,489**

(22) Filed: **Apr. 4, 2017**

(51) **LOC (11) Cl.** ..... **08-05**

(52) **U.S. Cl.**  
USPC ..... **D8/51; D8/56**

(58) **Field of Classification Search**  
USPC ..... D8/51-60, 105  
CPC ..... Y10T 29/53222; Y10T 29/53226; Y10T 29/53257; H01R 43/042; H01R 4/20; H01R 4/183; H01R 4/182  
See application file for complete search history.

(56) **References Cited**

**U.S. PATENT DOCUMENTS**

7,596,860 B2 \* 10/2009 Sutter ..... H01R 9/05  
29/751  
7,797,827 B2 \* 9/2010 Sutter ..... H01R 9/05  
29/747

D625,980 S \* 10/2010 Liu ..... D8/56  
8,015,698 B2 \* 9/2011 Sutter ..... H01R 9/05  
29/751  
D649,850 S \* 12/2011 Liu ..... D8/56  
D653,921 S \* 2/2012 Sutter ..... D8/56  
D696,921 S \* 1/2014 Sutter ..... D8/105  
8,627,562 B2 \* 1/2014 Sutter ..... H01R 9/05  
29/751  
D729,601 S \* 5/2015 Lin ..... D8/51  
2017/0338614 A1 \* 11/2017 Sutter ..... H01R 43/042

\* cited by examiner

*Primary Examiner* — Deanna L Pratt

(74) *Attorney, Agent, or Firm* — Greenberg Traurig, LLP

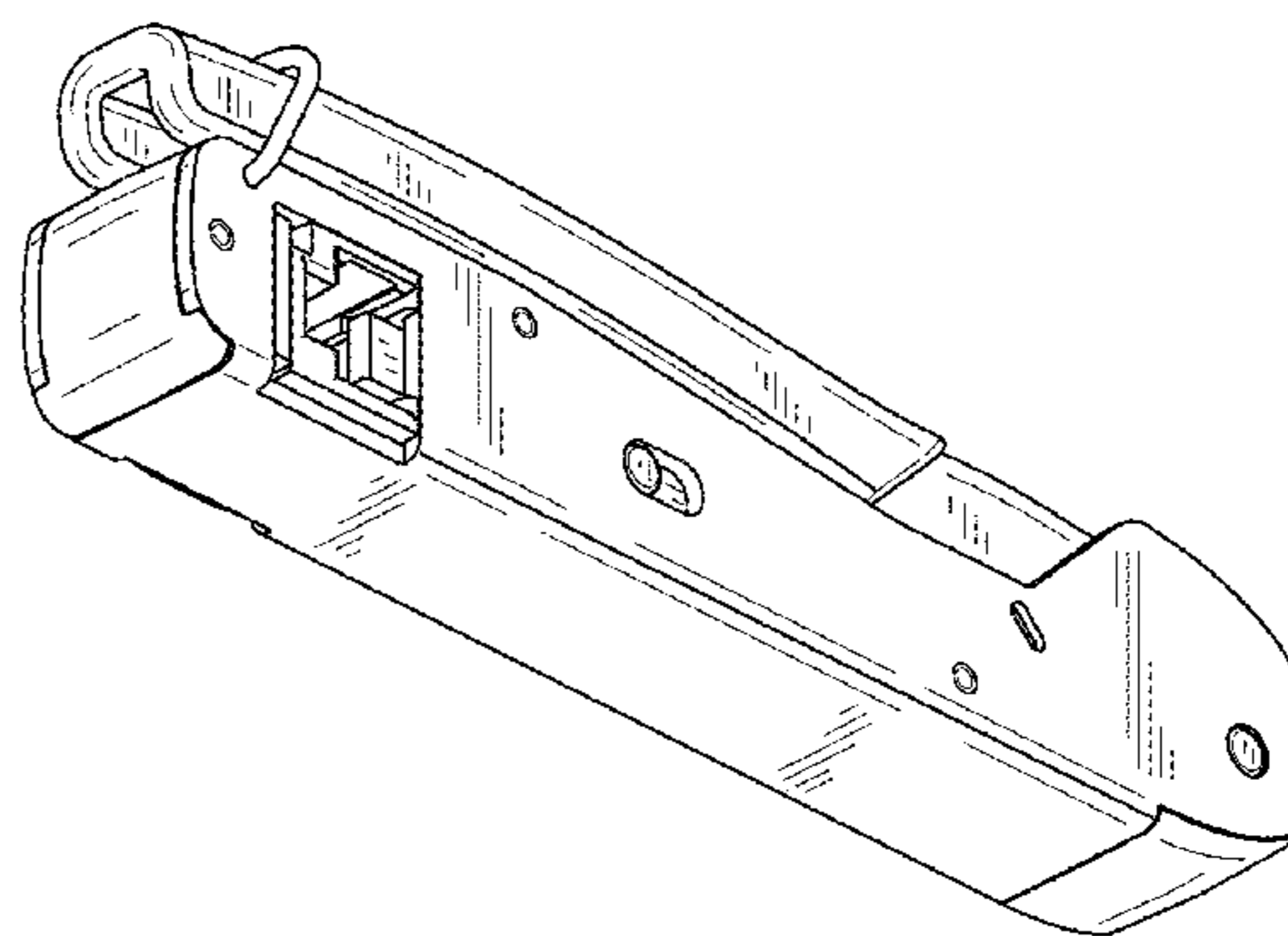
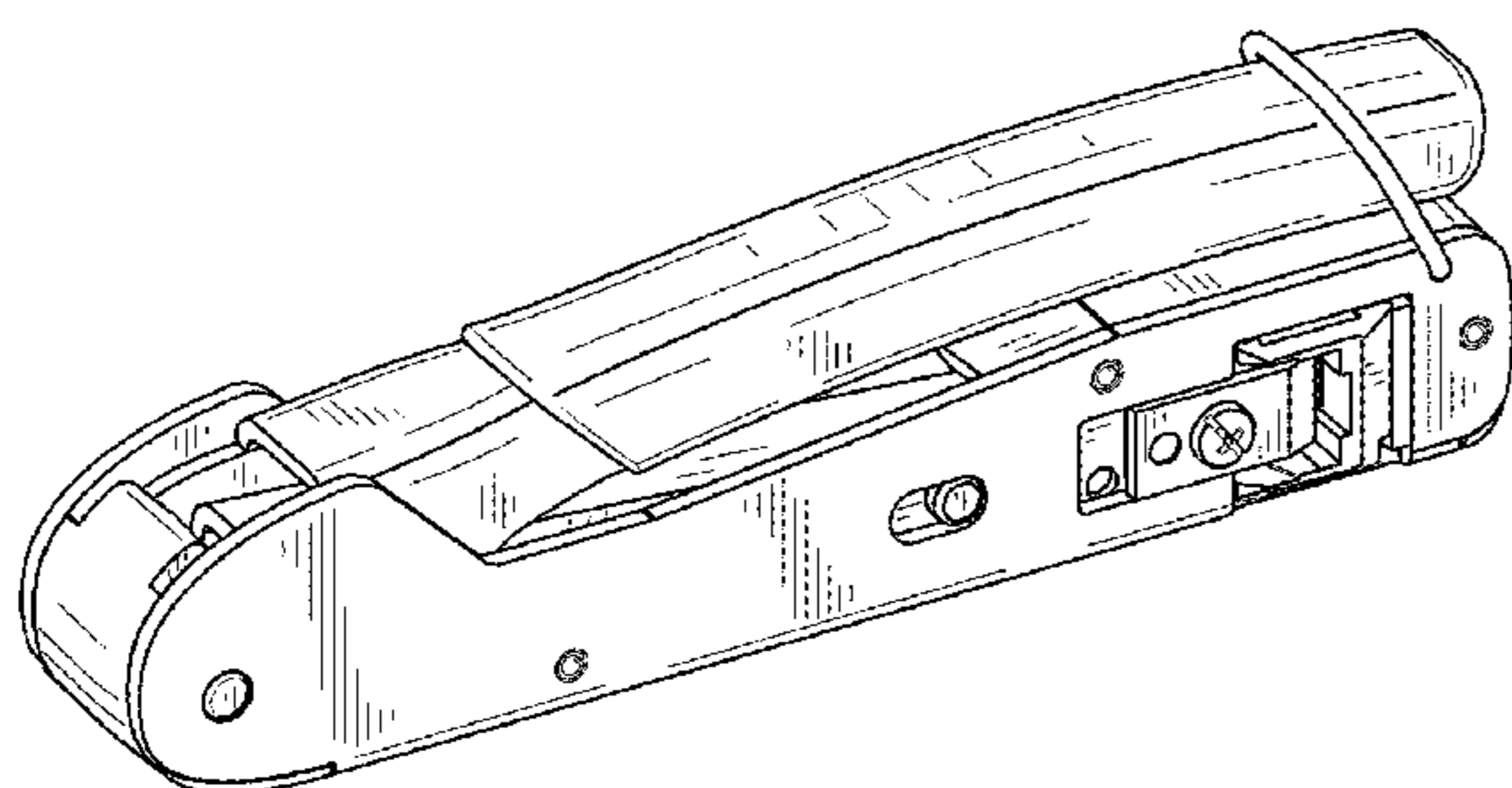
(57) **CLAIM**

The ornamental design for a modular electrical connector crimping tool, as shown and described.

**DESCRIPTION**

FIG. 1 is a top, right, front perspective view of a modular electrical connector crimping tool showing my new design; FIG. 2 is a bottom, left, rear perspective view thereof; FIG. 3 is a left elevational view thereof; FIG. 4 is a right elevational view thereof; FIG. 5 is a front side elevational view thereof; FIG. 6 is a rear side elevational view thereof; FIG. 7 is a top plan view thereof; and, FIG. 8 is a bottom plan view thereof.

**1 Claim, 4 Drawing Sheets**



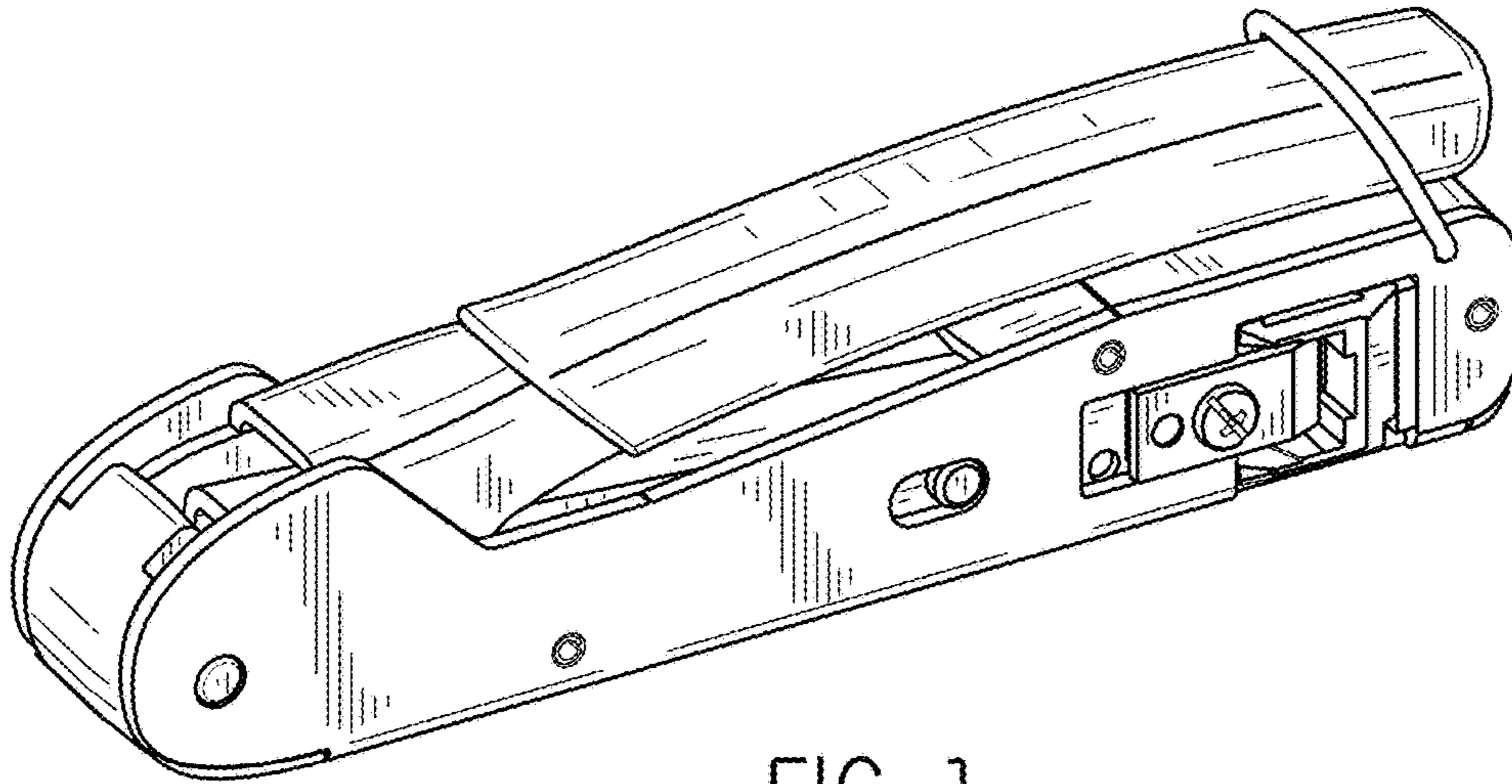


FIG. 1

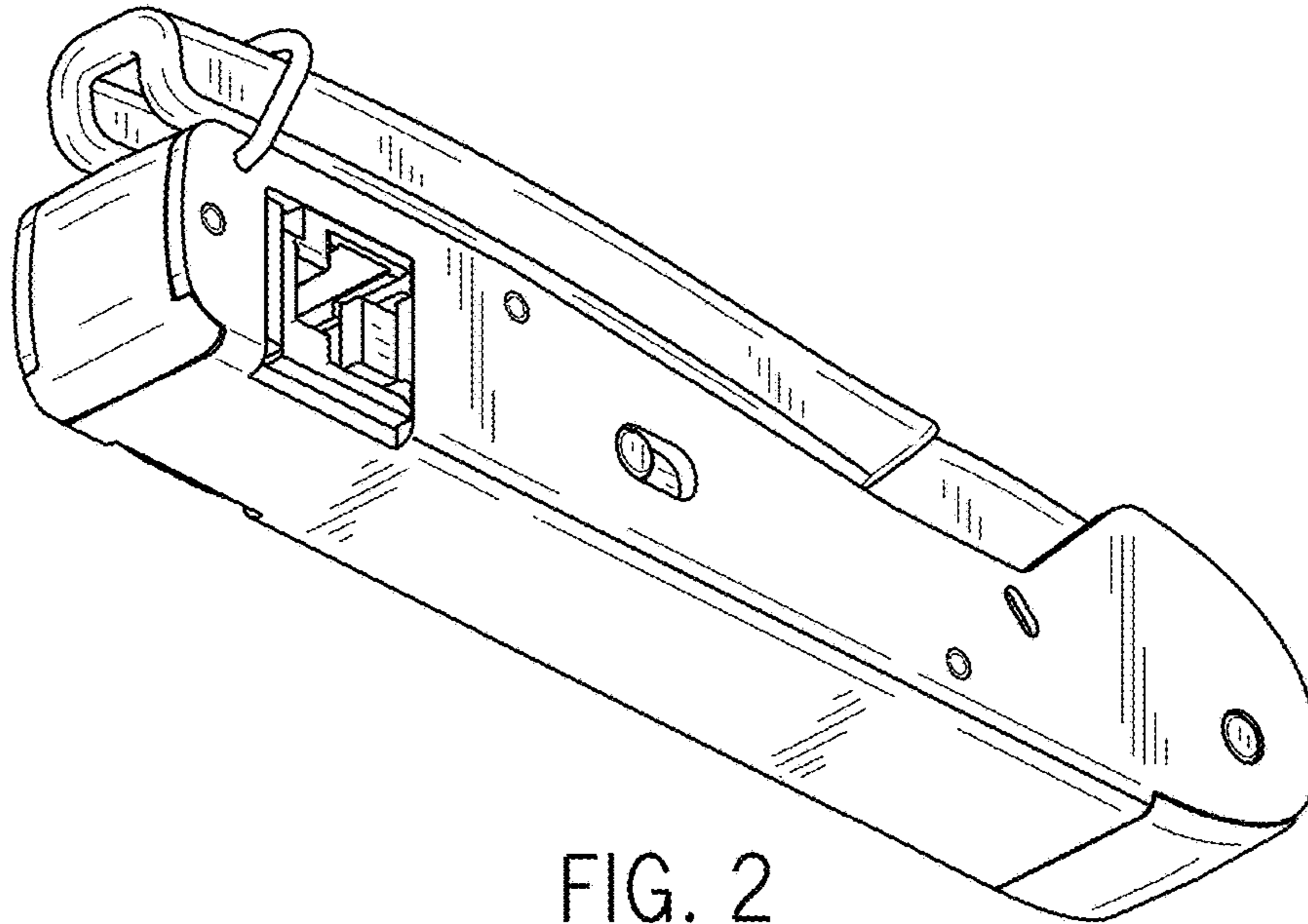


FIG. 2

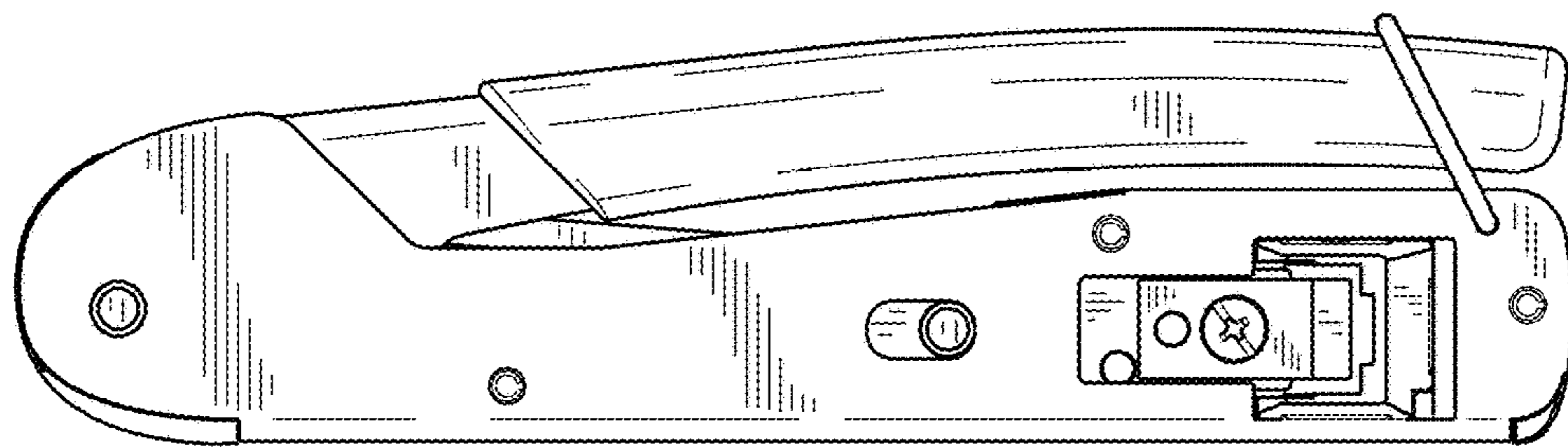


FIG. 3

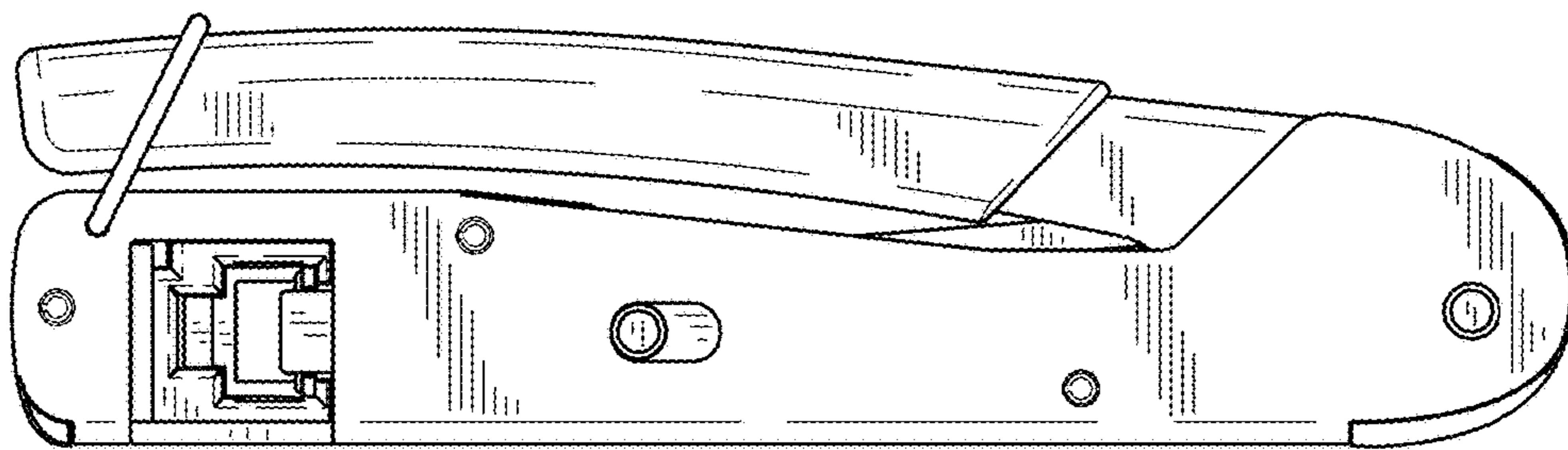


FIG. 4

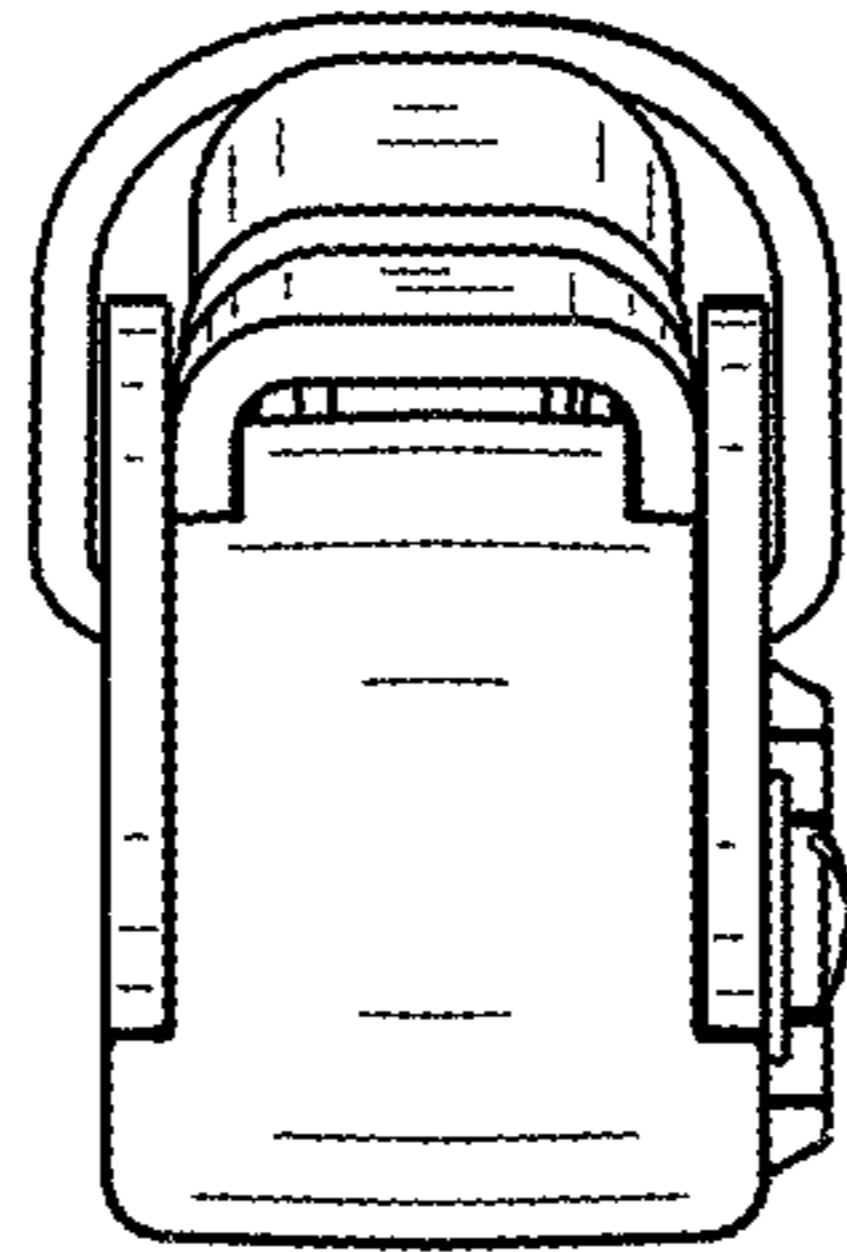


FIG. 5

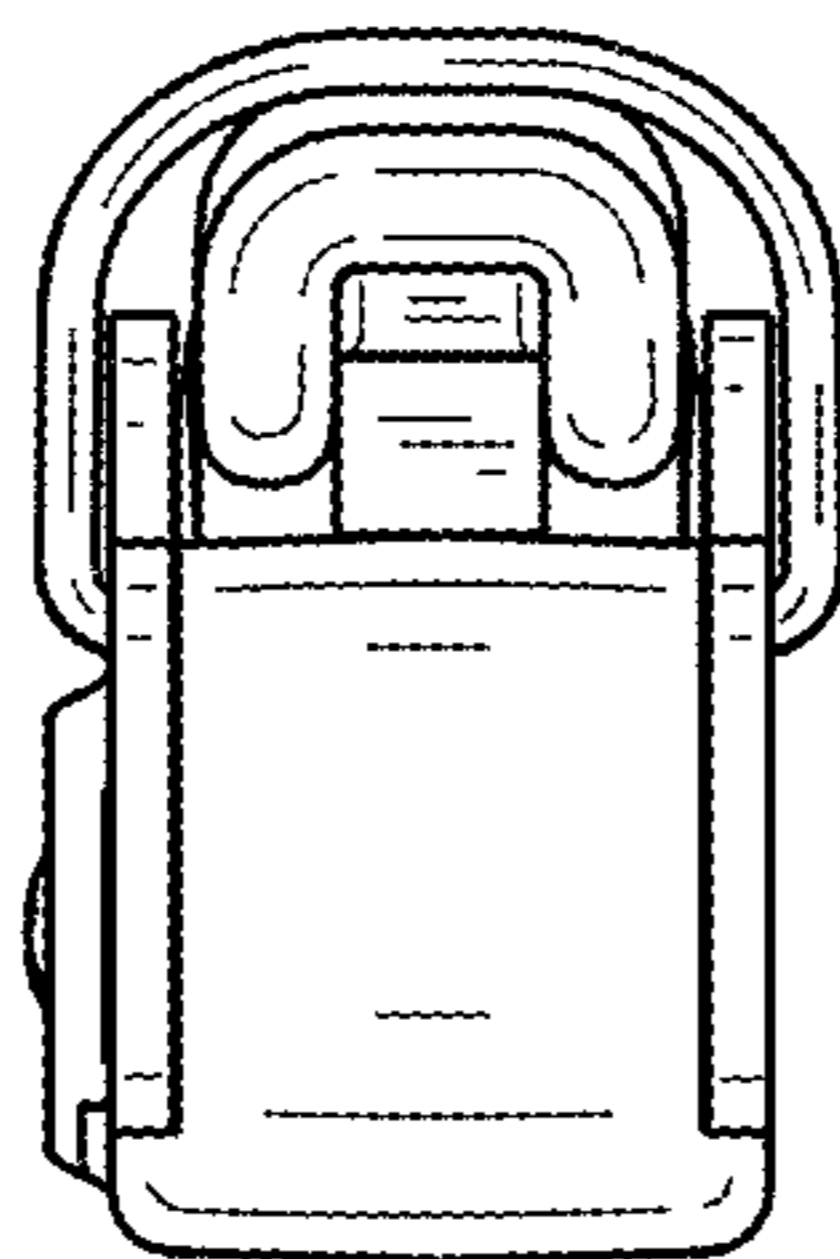


FIG. 6

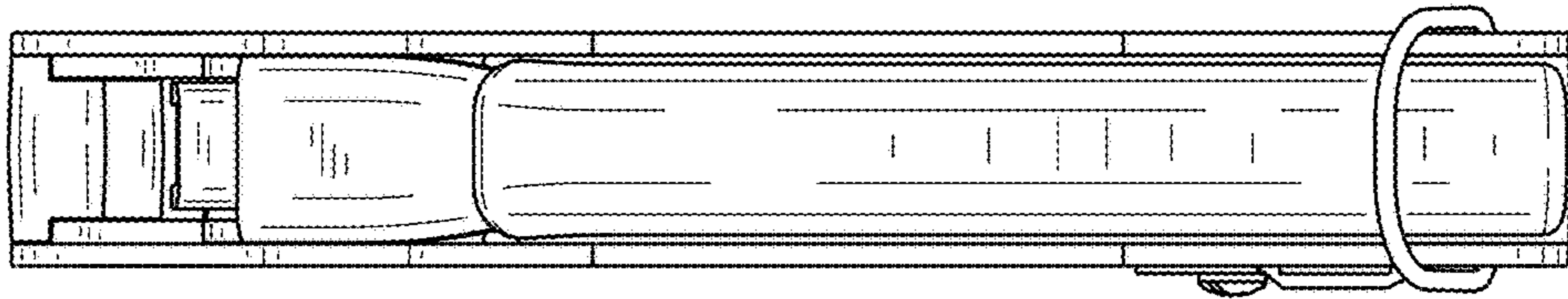


FIG. 7

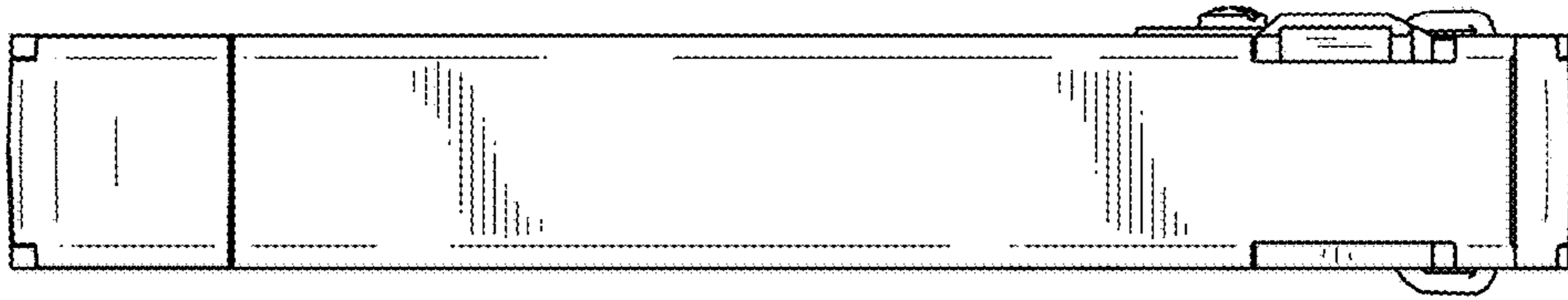


FIG. 8