



US00D824737S

(12) **United States Design Patent** (10) **Patent No.:** **US D824,737 S**
Dubiel (45) **Date of Patent:** **** Aug. 7, 2018**

(54) **HAND-HELD SPREADER**
(71) Applicant: **CHAPIN MANUFACTURING, INC.**,
Batavia, NY (US)
(72) Inventor: **David J. Dubiel**, North Chili, NY (US)
(73) Assignee: **Chapin Manufacturing, Inc.**, Batavia,
NY (US)

D333,951 S 3/1993 Courtney et al.
5,271,568 A 12/1993 Stevie
5,285,971 A 2/1994 Havlovitz
5,409,166 A * 4/1995 Gunzel, Jr. A01C 15/02
239/142
D387,638 S 12/1997 Delaby et al.
6,425,500 B2 * 7/2002 McNally E01C 19/2025
222/175

(Continued)

(**) Term: **15 Years**

(21) Appl. No.: **29/603,058**

(22) Filed: **May 5, 2017**

(51) **LOC (11) Cl.** **08-01**

(52) **U.S. Cl.**
USPC **D8/2; D15/13**

(58) **Field of Classification Search**
USPC D15/11, 12, 13, 14, 16, 18, 21, 25, 28,
D15/29; D8/2
CPC A01C 17/008; A01C 15/02; A01G 29/00
See application file for complete search history.

(56) **References Cited**

U.S. PATENT DOCUMENTS

502,604 A	8/1893	Bollinger	
579,049 A	3/1897	Eltzroth	
649,953 A	5/1900	Rinderknecht	
1,948,668 A	2/1934	Kuchler	
2,514,962 A	7/1950	McElhatton	
2,691,530 A	10/1954	Krueger	
3,096,984 A	7/1963	Garrison	
3,157,402 A	11/1964	Love, Jr.	
3,227,461 A	1/1966	Love, Jr.	
3,993,225 A	11/1976	Manni	
4,071,170 A *	1/1978	Gunzel, Jr.	A01M 9/0046 222/199
4,140,280 A	2/1979	Allen et al.	
5,092,746 A	3/1992	Henke	
5,119,993 A	6/1992	Gunzel, Jr. et al.	
5,123,598 A	6/1992	Courtney et al.	
D327,823 S	7/1992	Demarest	

OTHER PUBLICATIONS

Chapin Hand Crank Spreader—1.5L, Model #84150, www.chapinmfg.com, printed Dec. 4, 2015.

(Continued)

Primary Examiner — John Windmuller
Assistant Examiner — Benjamin M Weeks
(74) *Attorney, Agent, or Firm* — Woods Oviatt Gilman
LLP; Katherine H. McGuire, Esq.

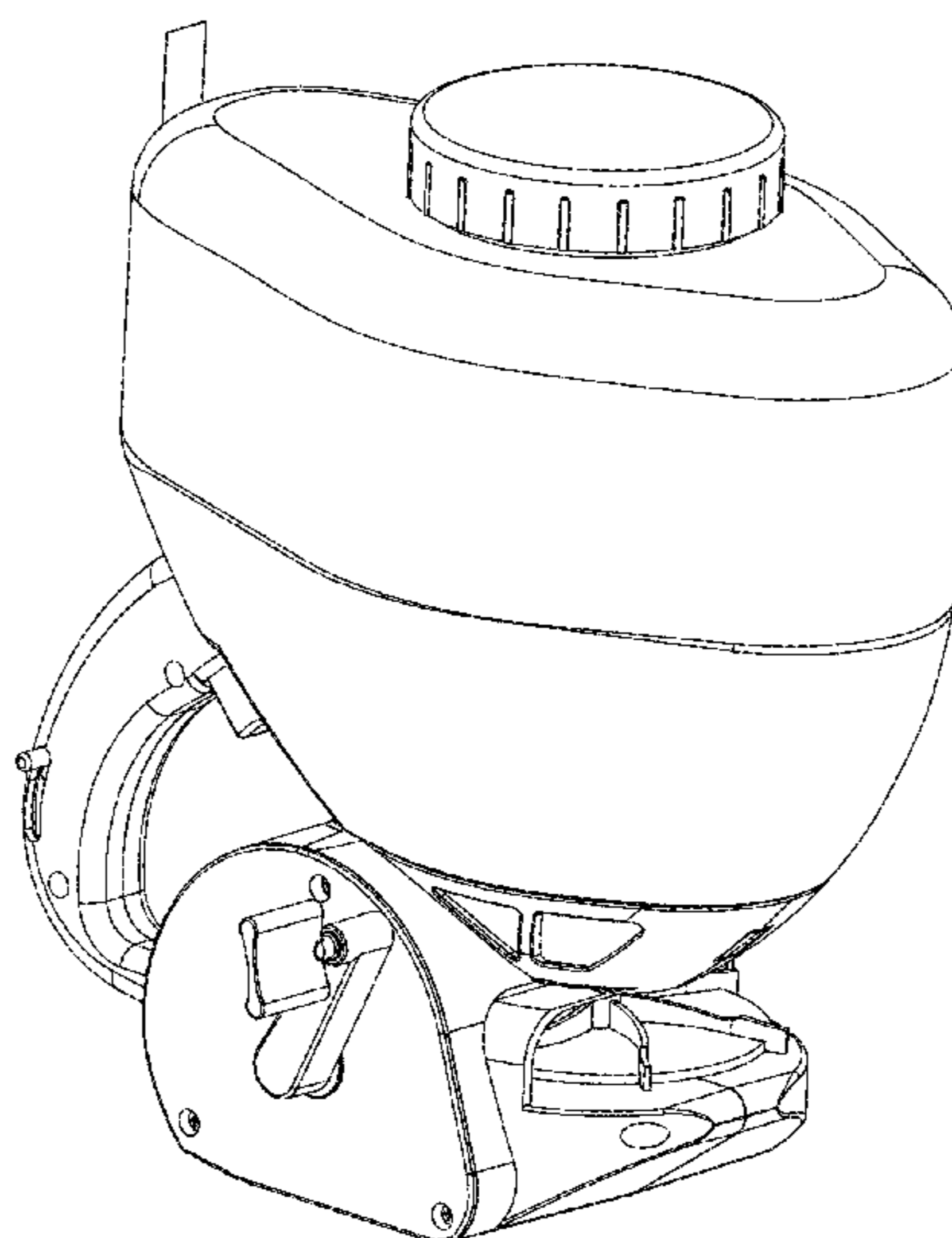
(57) **CLAIM**

The ornamental design for a hand-held spreader, as shown and described.

DESCRIPTION

FIG. 1 is a perspective view looking downwardly from the right side of the front of a hand-held spreader in accordance with my design;
FIG. 2 is a right elevational view thereof;
FIG. 3 is a left elevational view thereof;
FIG. 4 is a front view thereof;
FIG. 5 is a rear view thereof;
FIG. 6 is a top view thereof;
FIG. 7 is a bottom view thereof;
FIG. 8 is a perspective view looking downwardly from the right side of the rear thereof; and,
FIG. 9 is a perspective view looking upwardly from the right side of the rear thereof.

1 Claim, 9 Drawing Sheets



(56)

References Cited

U.S. PATENT DOCUMENTS

D534,044 S 12/2006 Zak
 D552,946 S 10/2007 Shanklin et al.
 7,281,675 B2* 10/2007 Elrod A01G 1/125
 239/650
 7,328,861 B2 2/2008 Sagol et al.
 8,191,804 B1 6/2012 Pullara, Jr.
 8,272,584 B2* 9/2012 Barnett A01C 7/02
 222/317
 D701,737 S * 4/2014 Poitras D8/2
 D712,211 S * 9/2014 Rollenhagen D8/2
 D744,303 S 12/2015 Marconi
 D796,922 S 9/2017 Hsu et al.
 2007/0034710 A1 2/2007 Elrod et al.
 2014/0263484 A1 9/2014 Marconi
 2017/0049042 A1* 2/2017 Hsu E01H 10/007

OTHER PUBLICATIONS

Scotts Handy Green II Hand-Held Broadcast Spreader, The Scotts Company LLC, www.scotts.com, printed Apr. 6, 2017.

Quick Start Guide, Scotts Handy Green II Hand-Held Broadcast Spreader, the Scotts Company LLC, 2011.
 Precision HHBS-125 6 Lb Capacity Handheld Broadcast Spreader, walmart.com, printed Dec. 4, 2015.
 Plantmates 76500 All-Purpose Spreader, amazon.com, printed Dec. 4, 2015.
 Solo 421S 20-Pound Capacity Portable Spreader, amazon.com, printed Dec. 4, 2015.
 Scotts Wizz Spreader, the Scotts Company LLC, www.scotts.com, printed Apr. 6, 2017.
 Scotts Easy Hand-Held Broadcast Spreader, the Scotts Company LLC, www.scotts.com, printed Apr. 6, 2017.

* cited by examiner

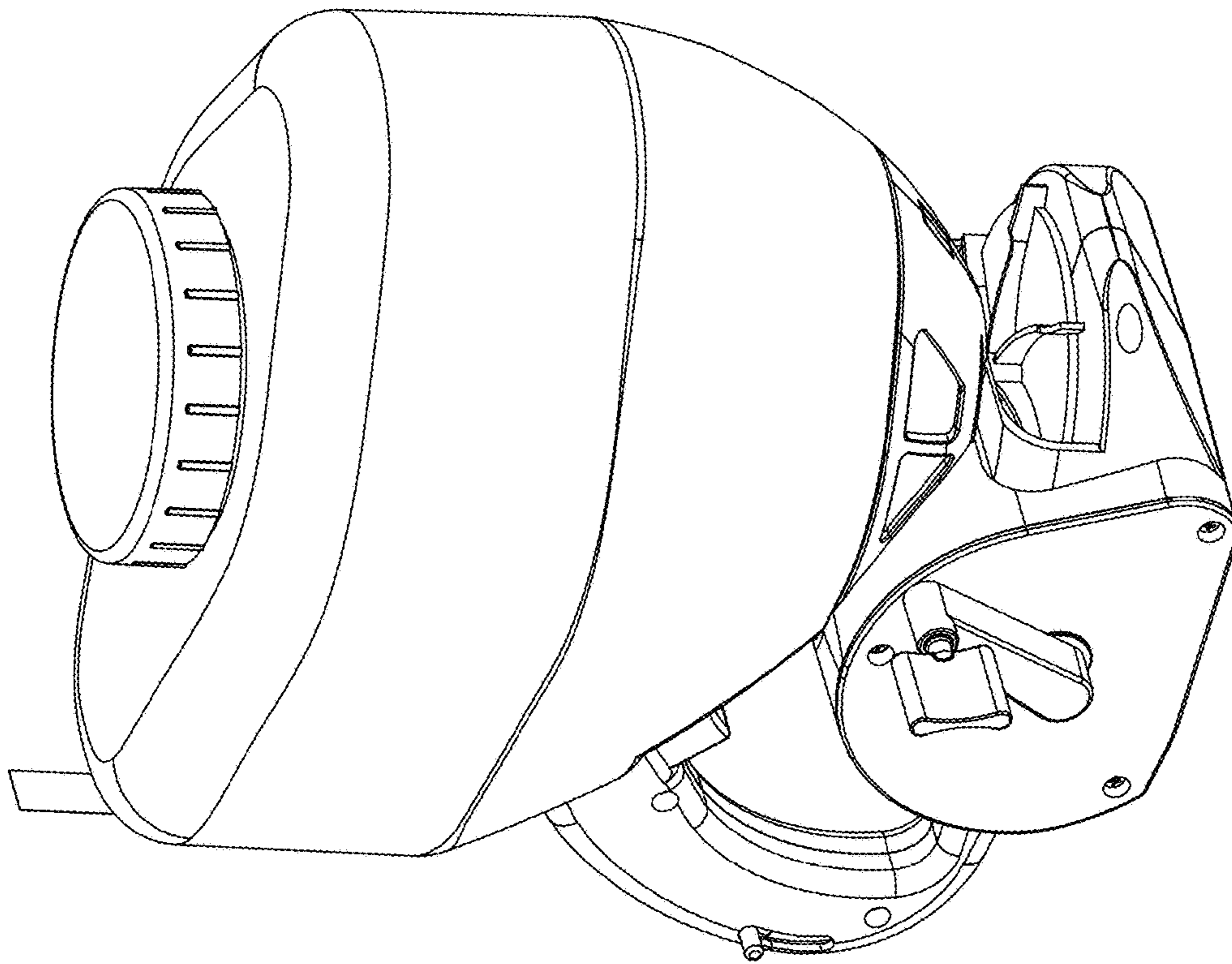


FIG. 1

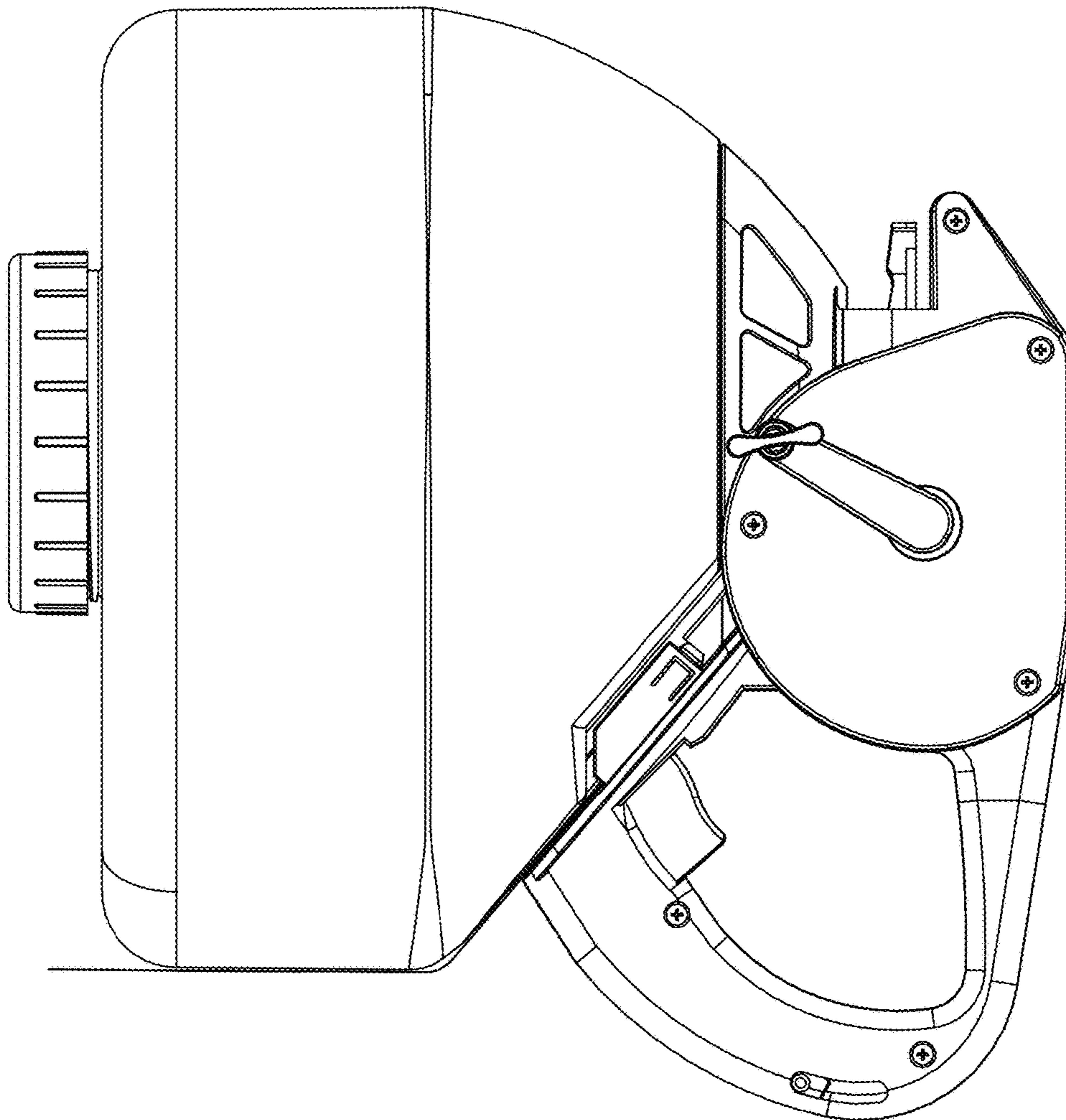


FIG. 2

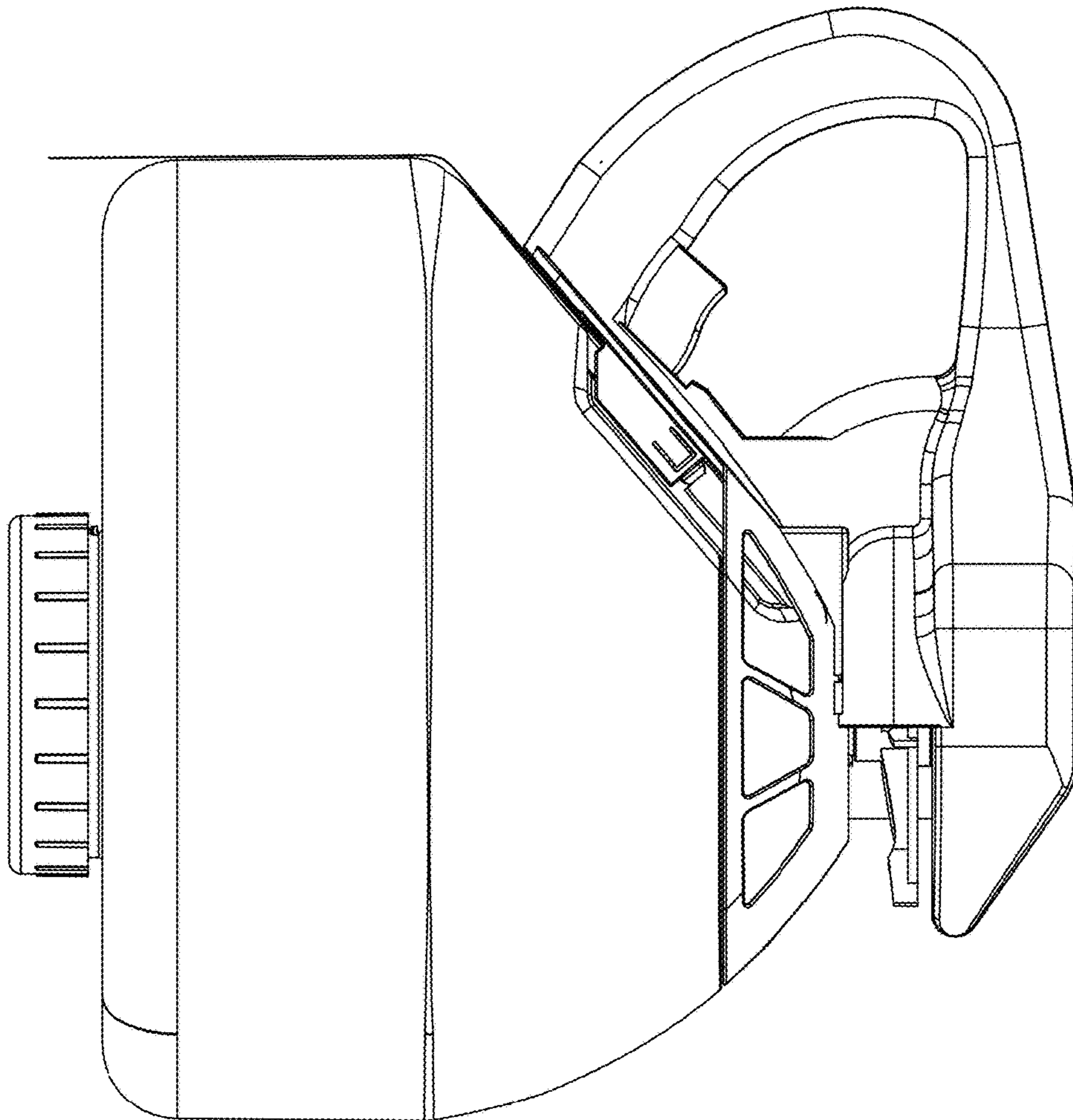


FIG. 3

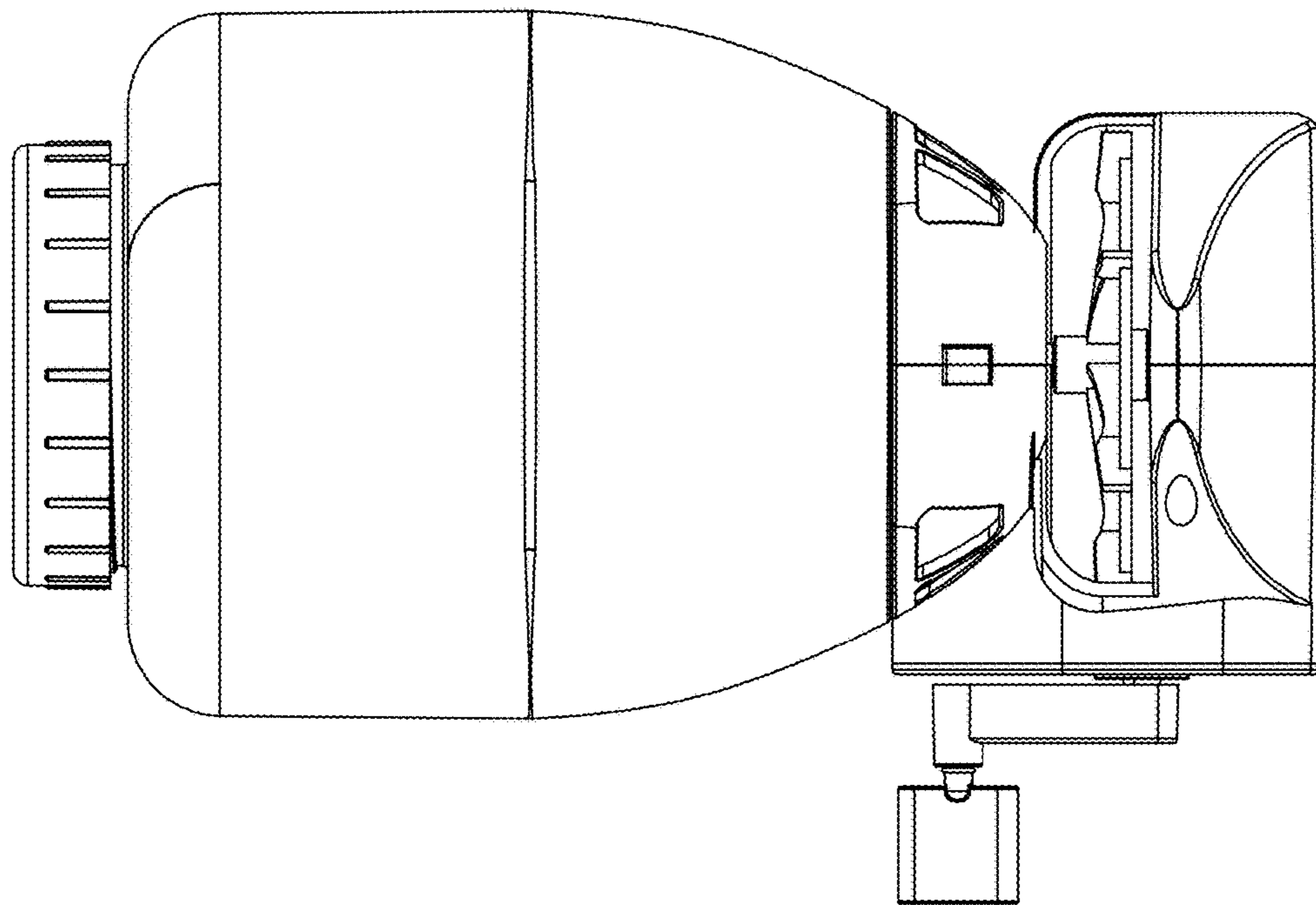


FIG. 4

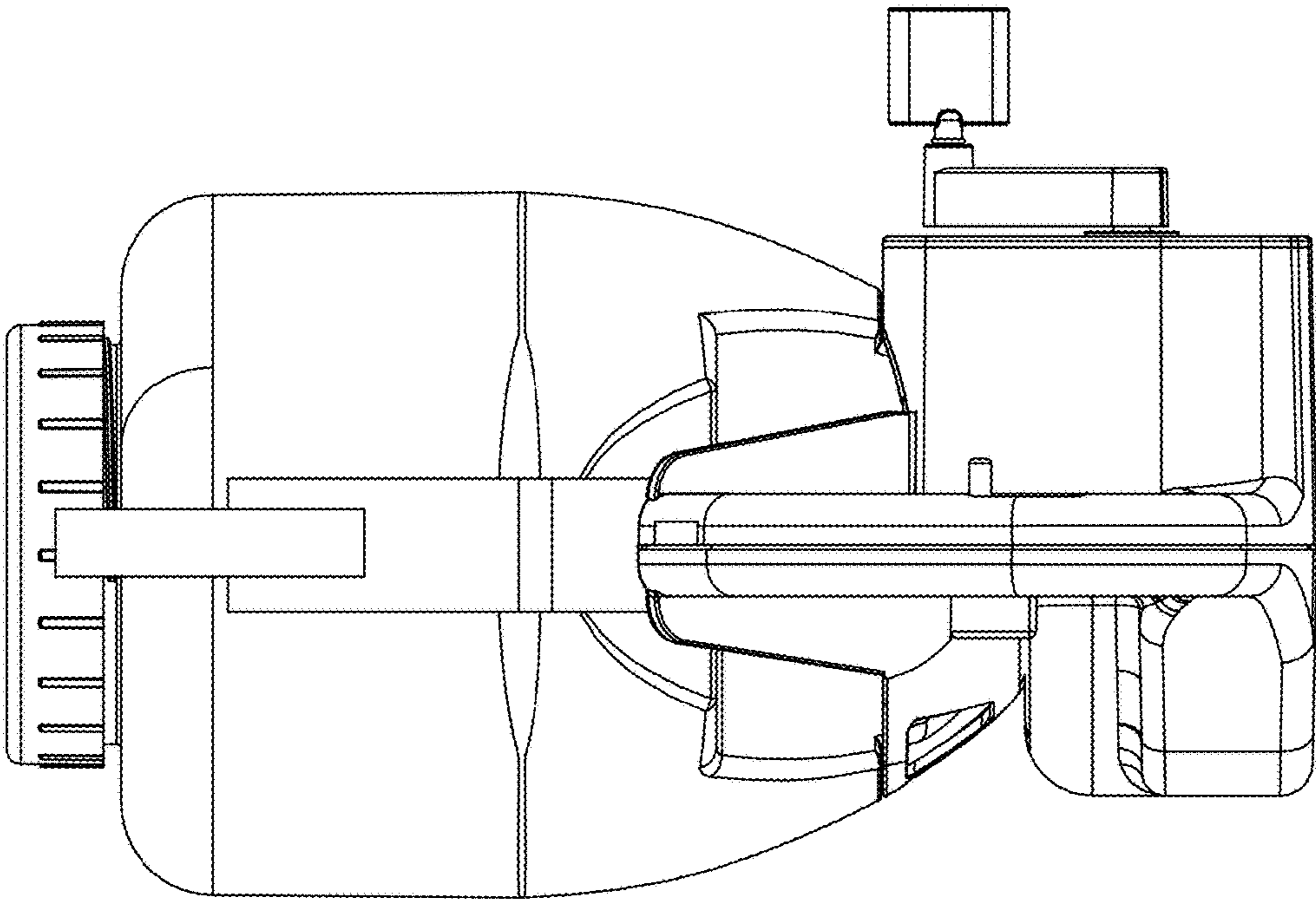


FIG. 5

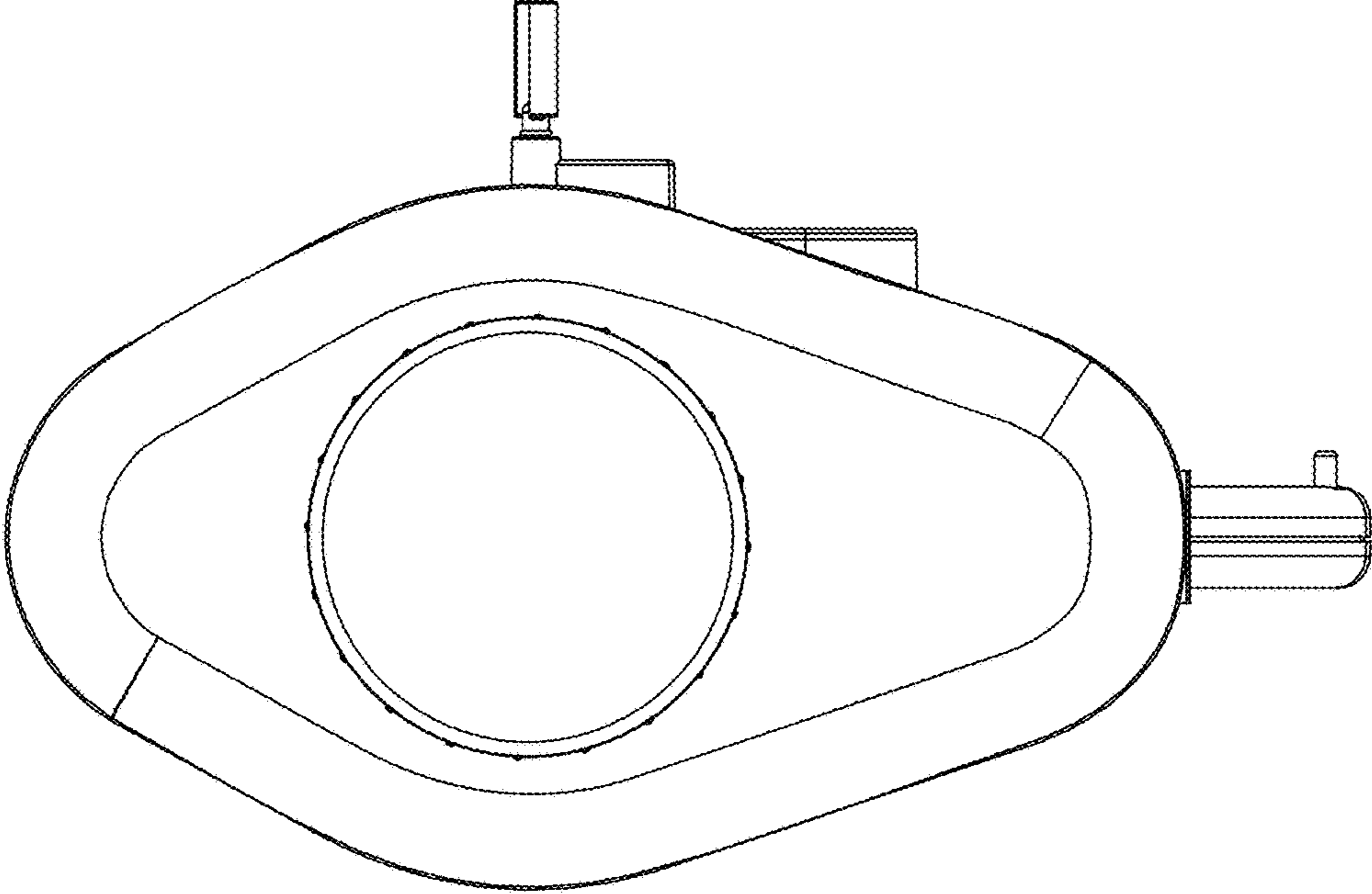


FIG. 6

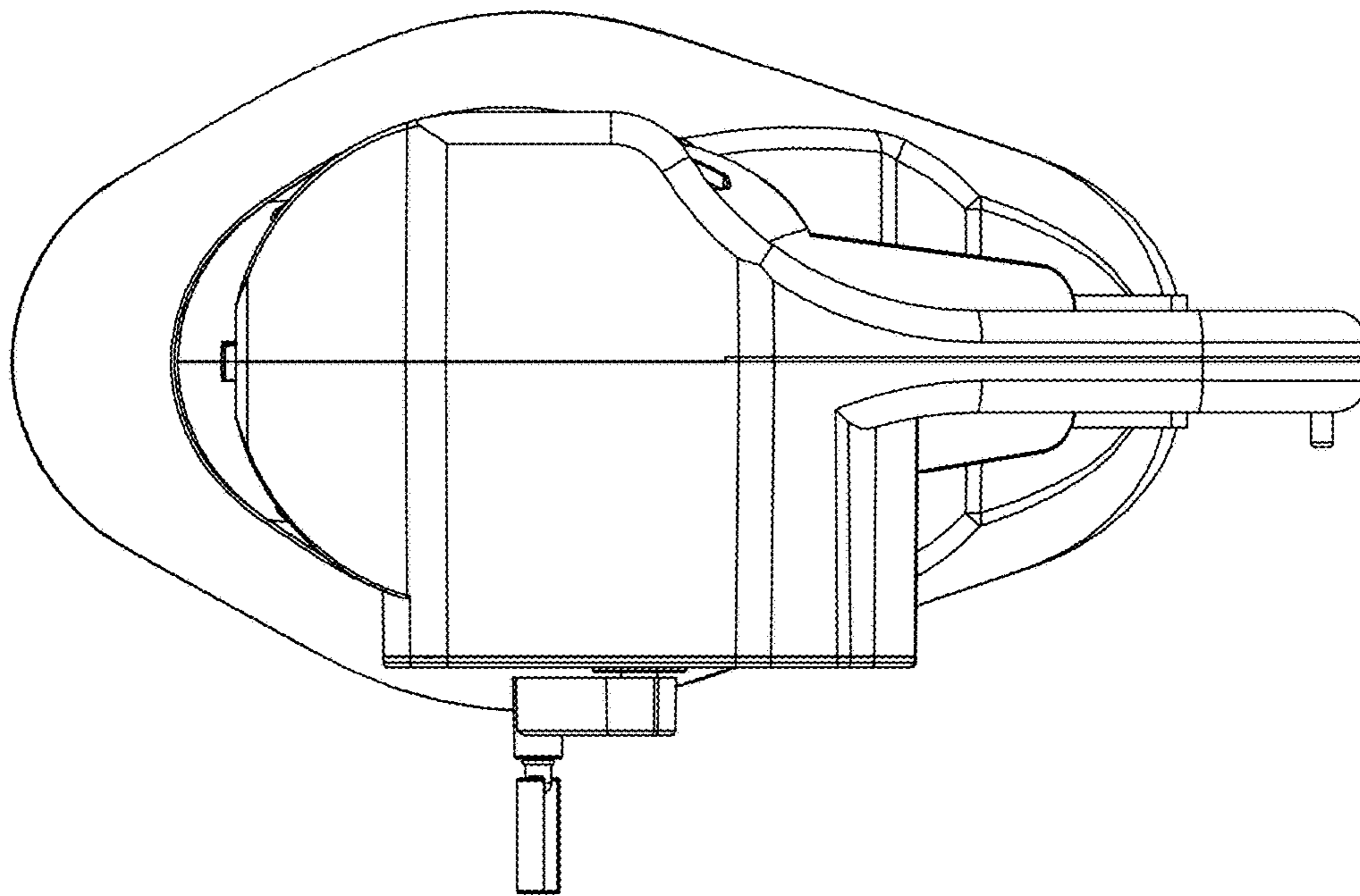


FIG. 7

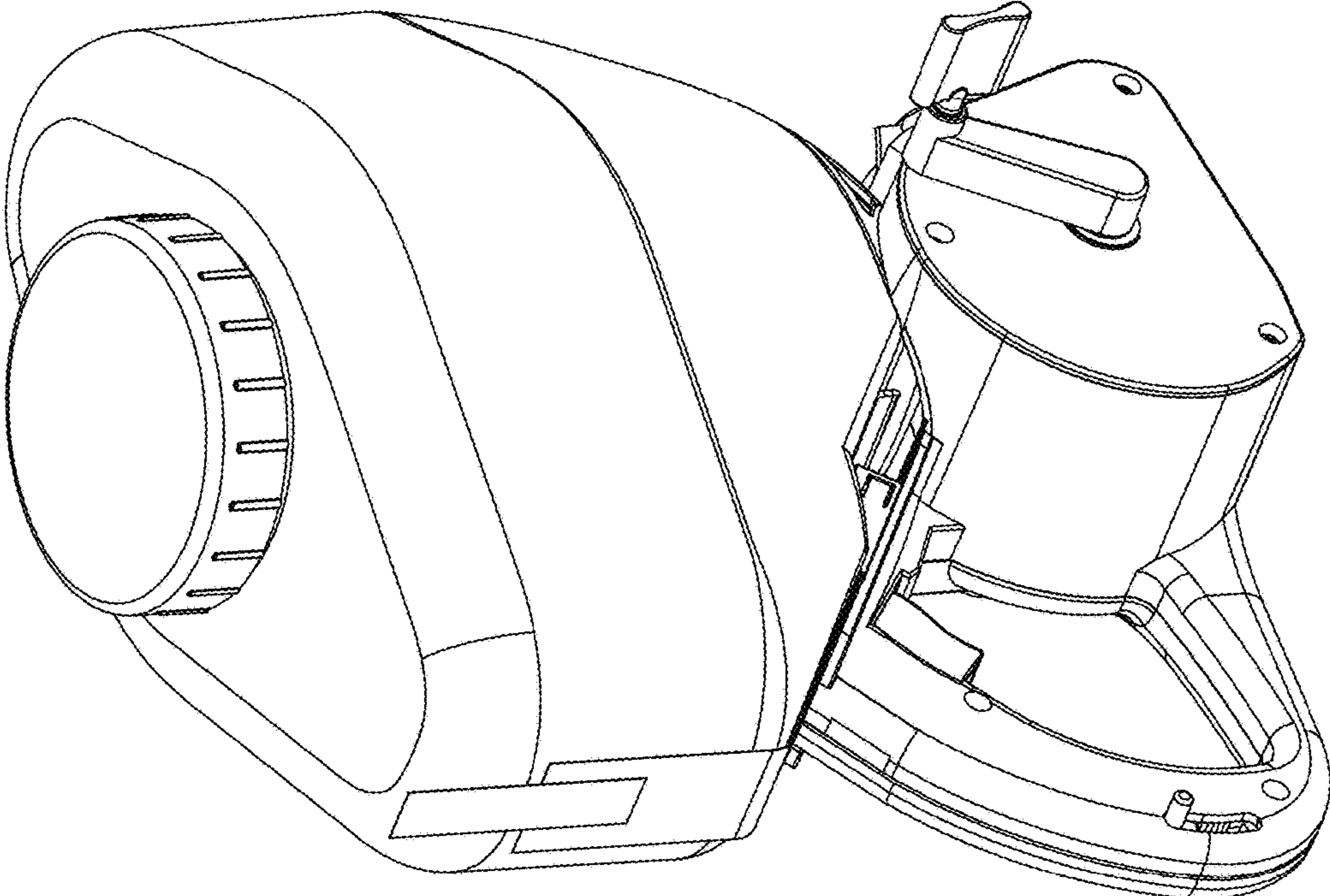


FIG. 8

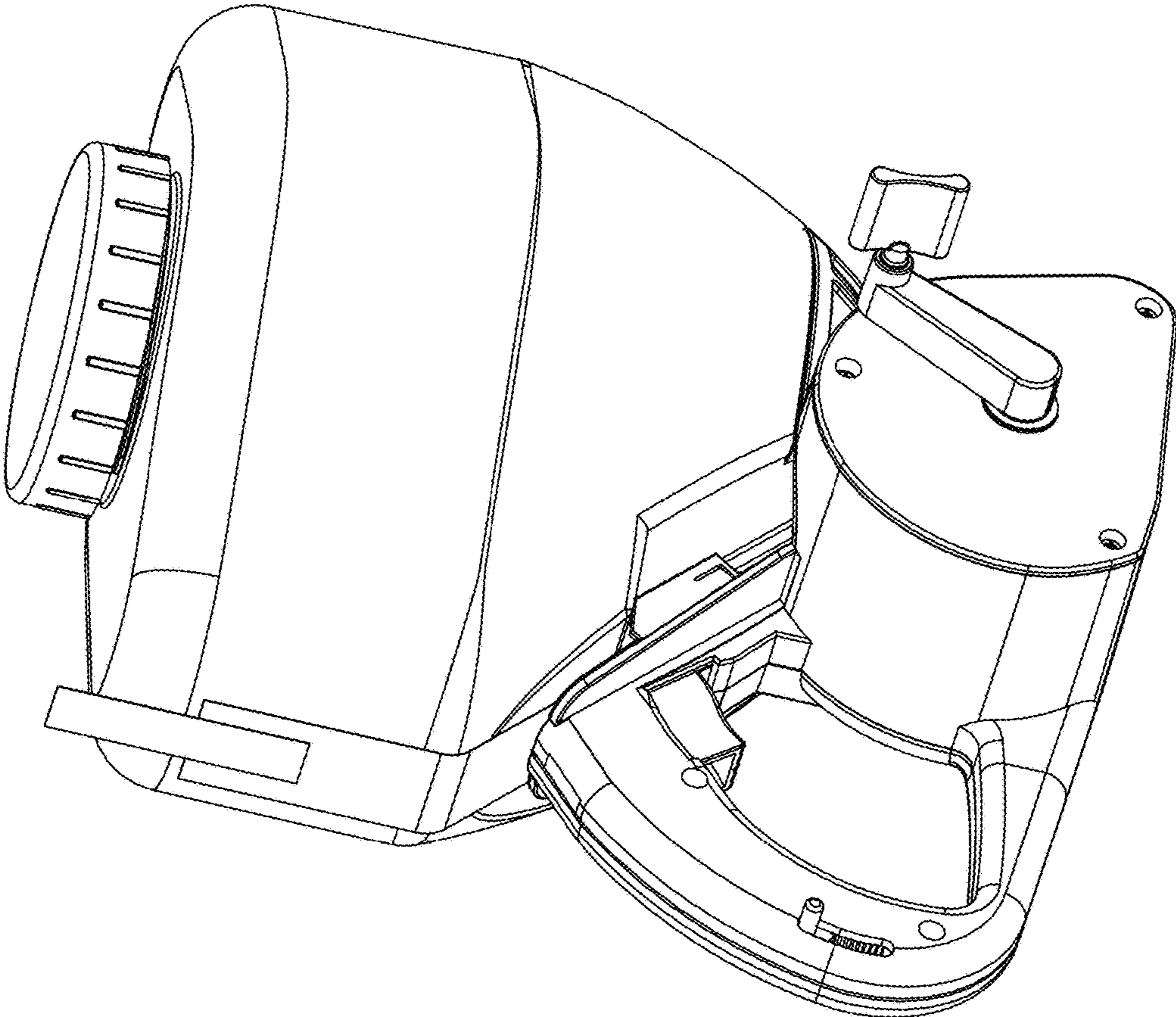


FIG. 9