



US00D824736S

(12) **United States Design Patent** (10) **Patent No.:** **US D824,736 S**
Yang (45) **Date of Patent:** **** Aug. 7, 2018**

(54) **CUP HOLDER COMBINATION**

(71) Applicant: **Lei Yang**, Luzhou (CN)

(72) Inventor: **Lei Yang**, Luzhou (CN)

(**) Term: **15 Years**

(21) Appl. No.: **29/608,604**

(22) Filed: **Jun. 23, 2017**

(51) **LOC (11) Cl.** **07-06**

(52) **U.S. Cl.**
USPC **D7/707**

(58) **Field of Classification Search**

USPC D7/701-708, 550.1, 552.1, 553.1,
D7/553.2-553.4, 554.1, 554.3; D12/419

CPC ... F25D 3/08; F25D 3/06; F25D 3/045; A45C
11/20; A47G 23/02; A47G 23/0225;
A47G 23/0641; A47G 23/06; A47G
23/0633

See application file for complete search history.

(56) **References Cited**

U.S. PATENT DOCUMENTS

D353,082 S * 12/1994 Keven D12/420
D442,443 S * 5/2001 Perndocaj D7/701
D527,231 S * 8/2006 Perotti D7/707

* cited by examiner

Primary Examiner — Terry A Wallace

(74) *Attorney, Agent, or Firm* — Gokalp Bayramoglu

(57) **CLAIM**

The ornamental design for cup holder combination, as shown and described.

DESCRIPTION

FIG. 1 is a front view of a cup holder combination showing my design;

FIG. 2 is a back view of a cup holder combination;

FIG. 3 is a left side view of a cup holder combination;

FIG. 4 is a right side view of a cup holder combination;

FIG. 5 is a top plan view of a cup holder combination;

FIG. 6 is a bottom plan view of a cup holder combination;

FIG. 7 is a perspective view of a cup holder combination;

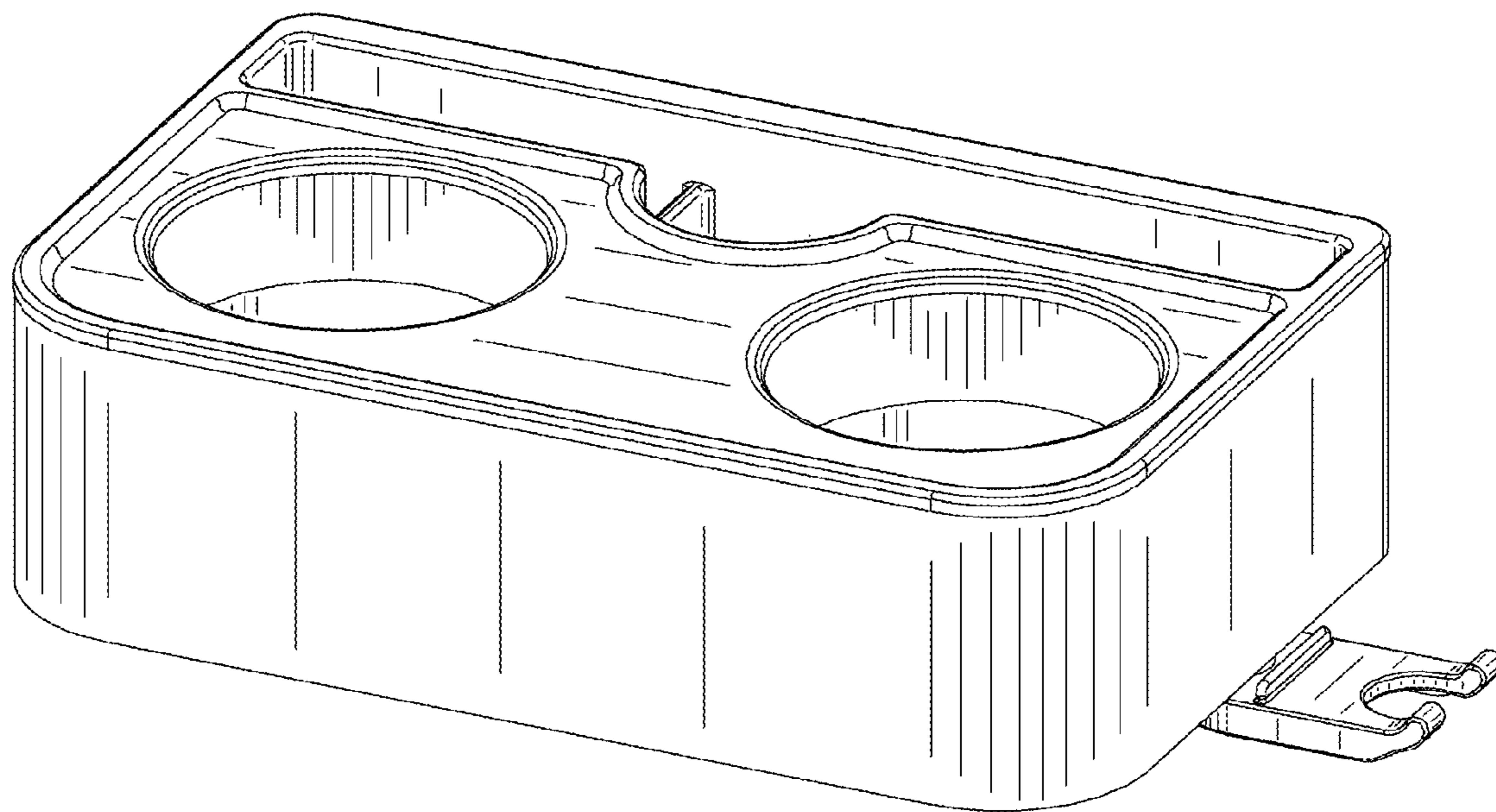
FIG. 8 is a perspective view of a cup holder combination from another angle;

FIG. 9 is a perspective view of a cup holder combination for status in use; and,

FIG. 10 is a perspective view of a cup holder combination for status in use.

The broken lines are for illustrative purposes only and form no part of the claimed design.

1 Claim, 10 Drawing Sheets



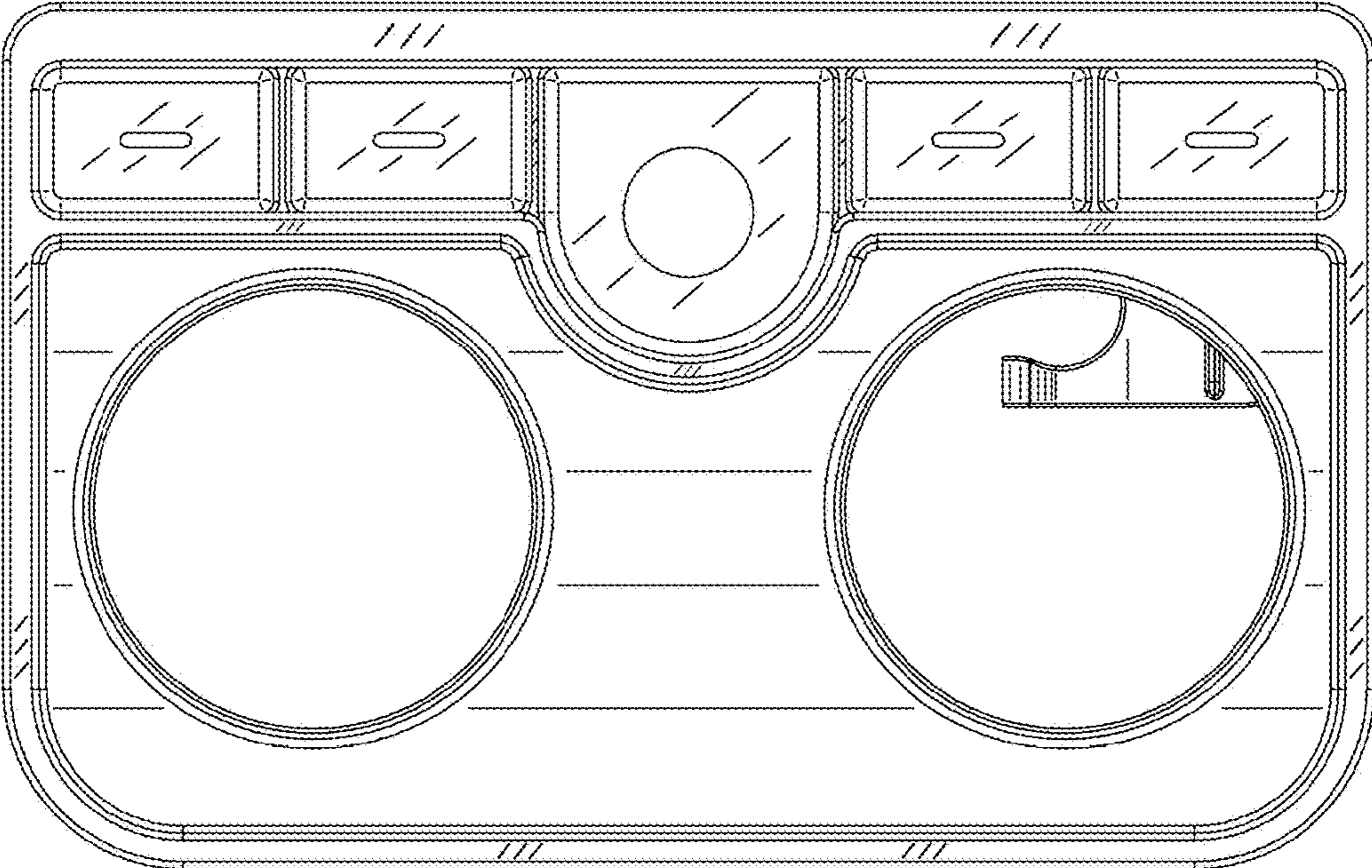


FIG.1

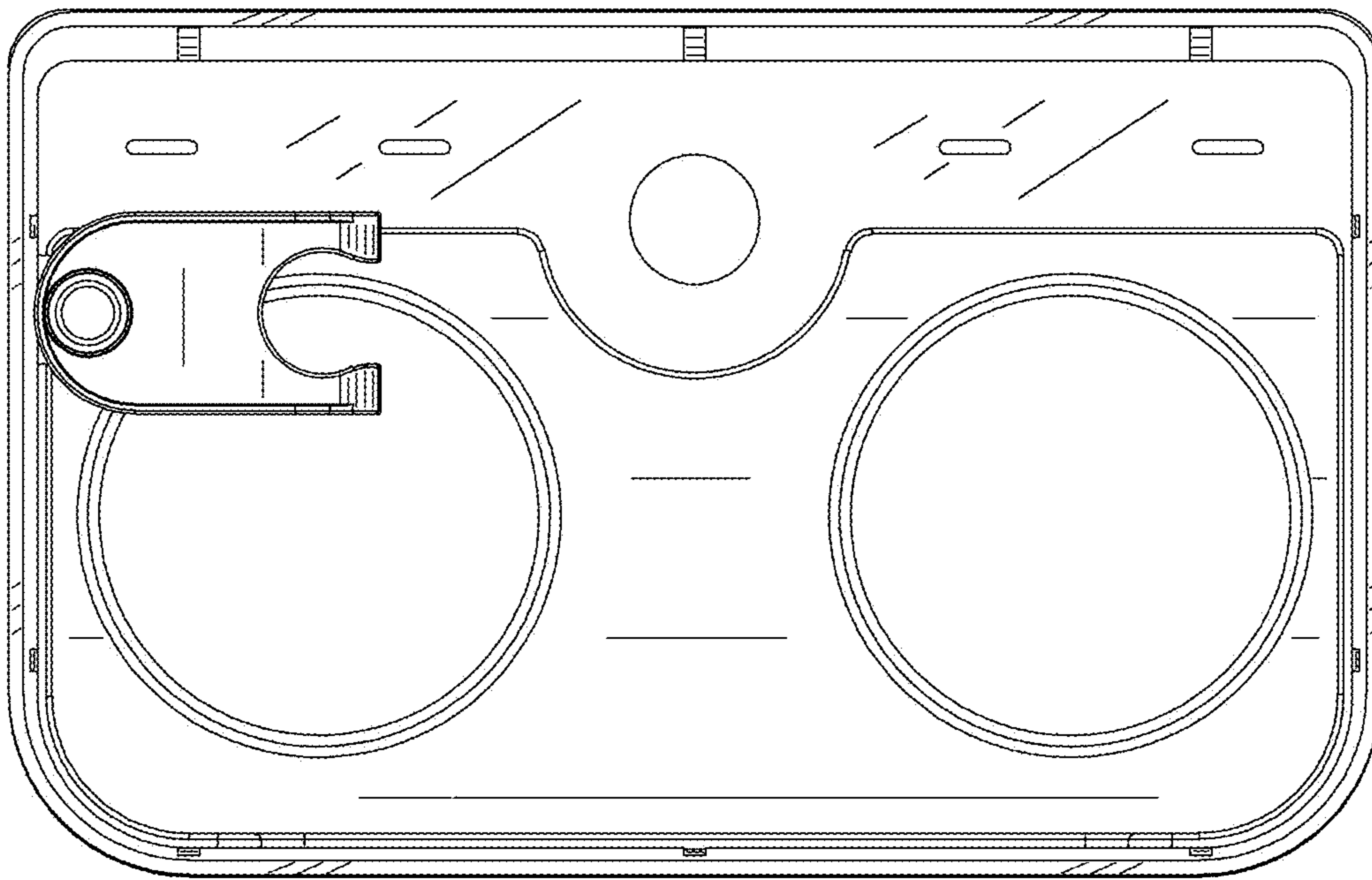


FIG.2

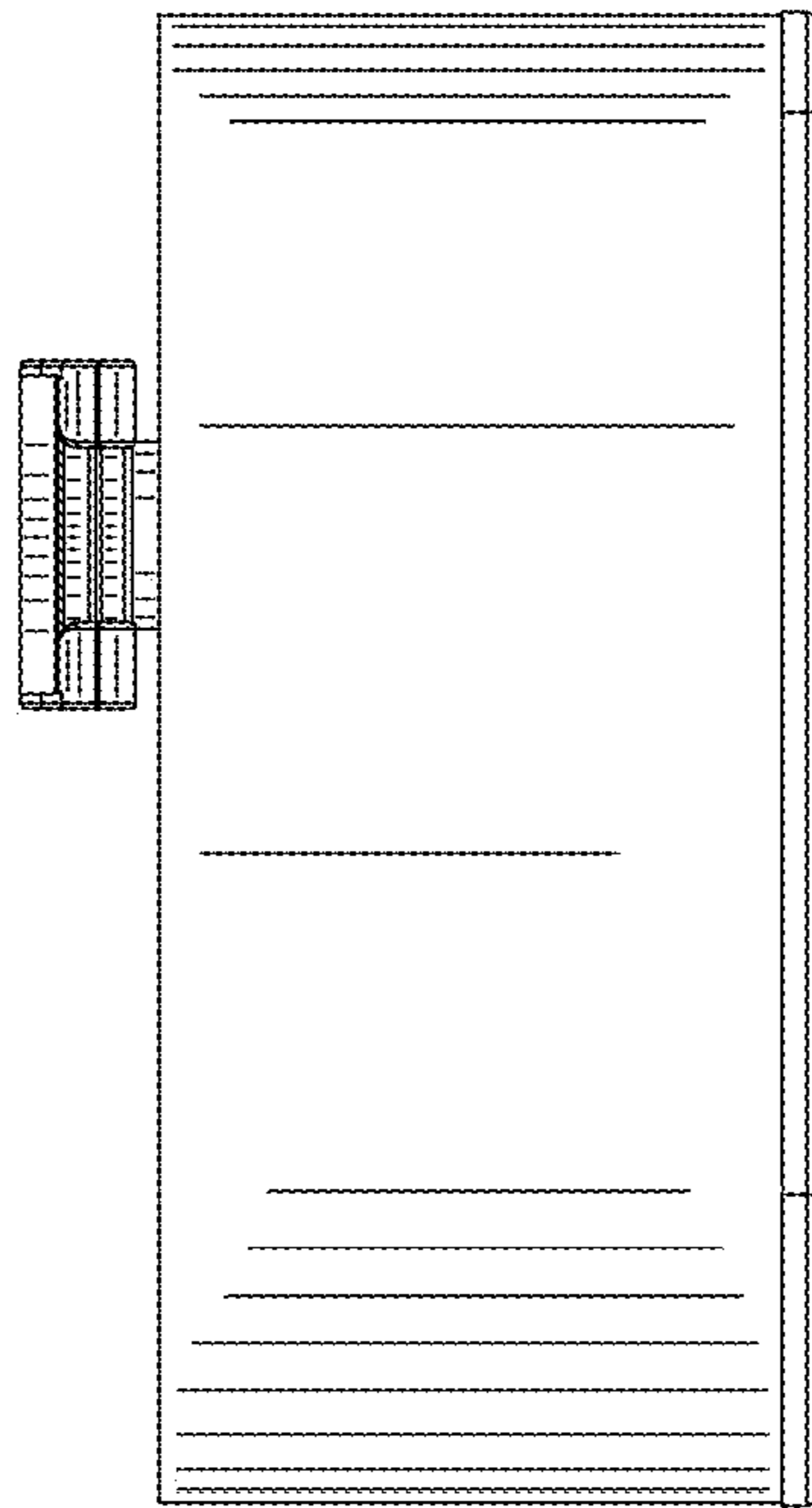


FIG.3

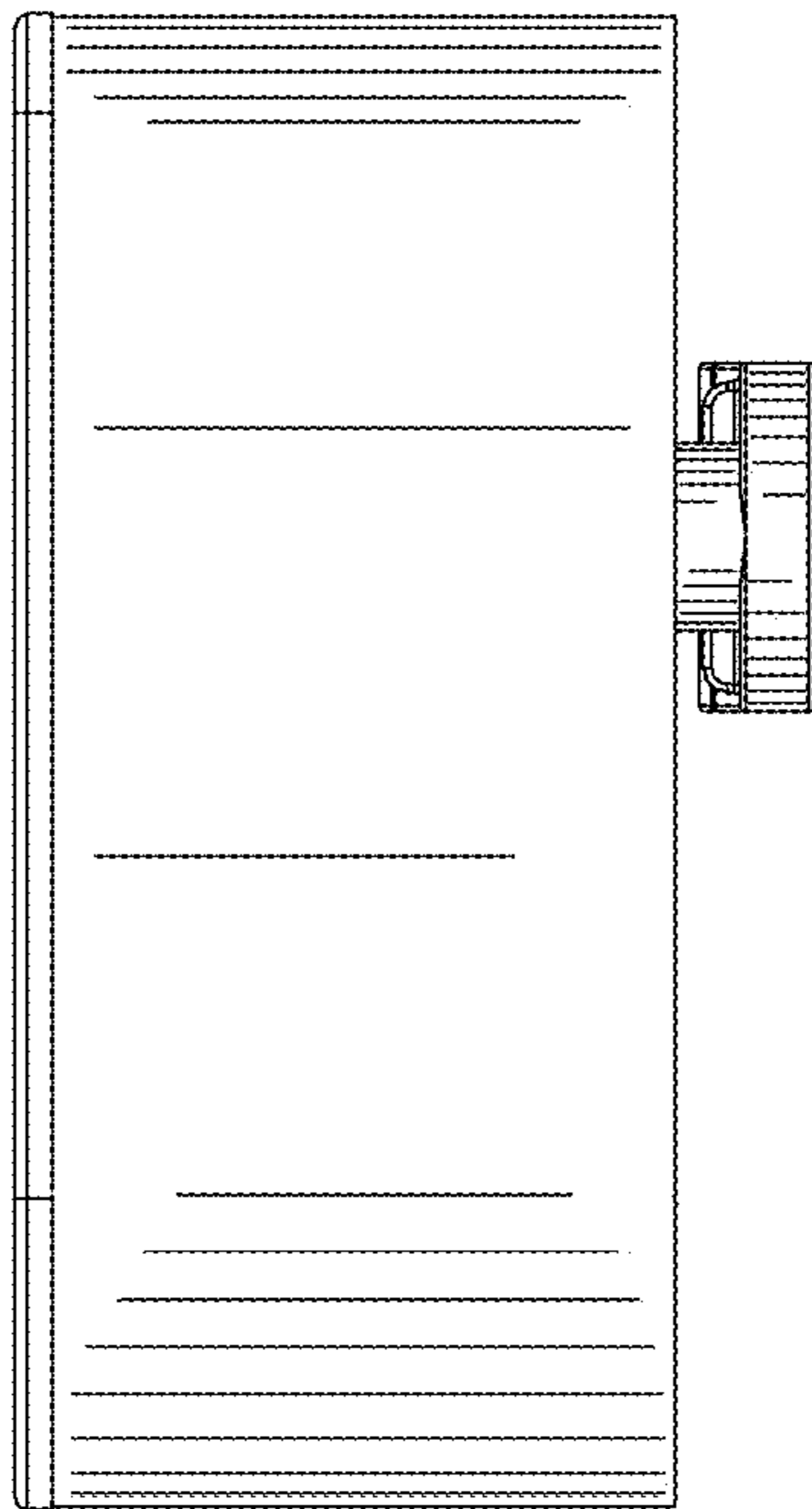


FIG.4

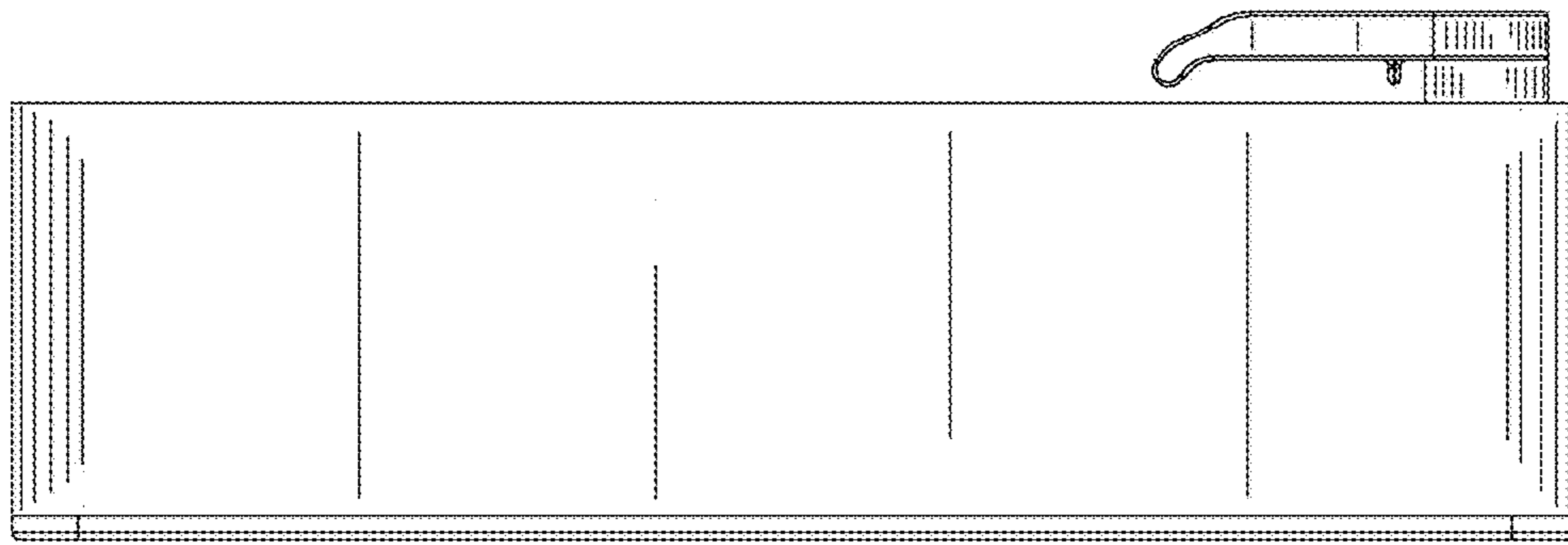


FIG.5

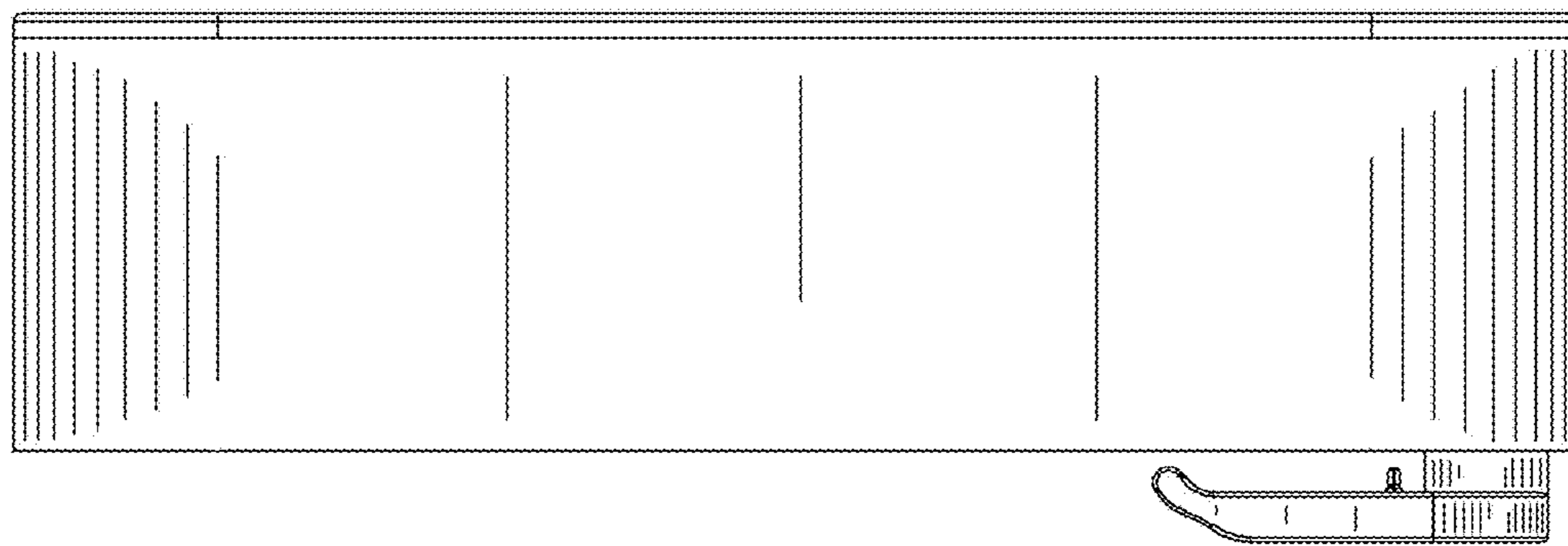


FIG.6

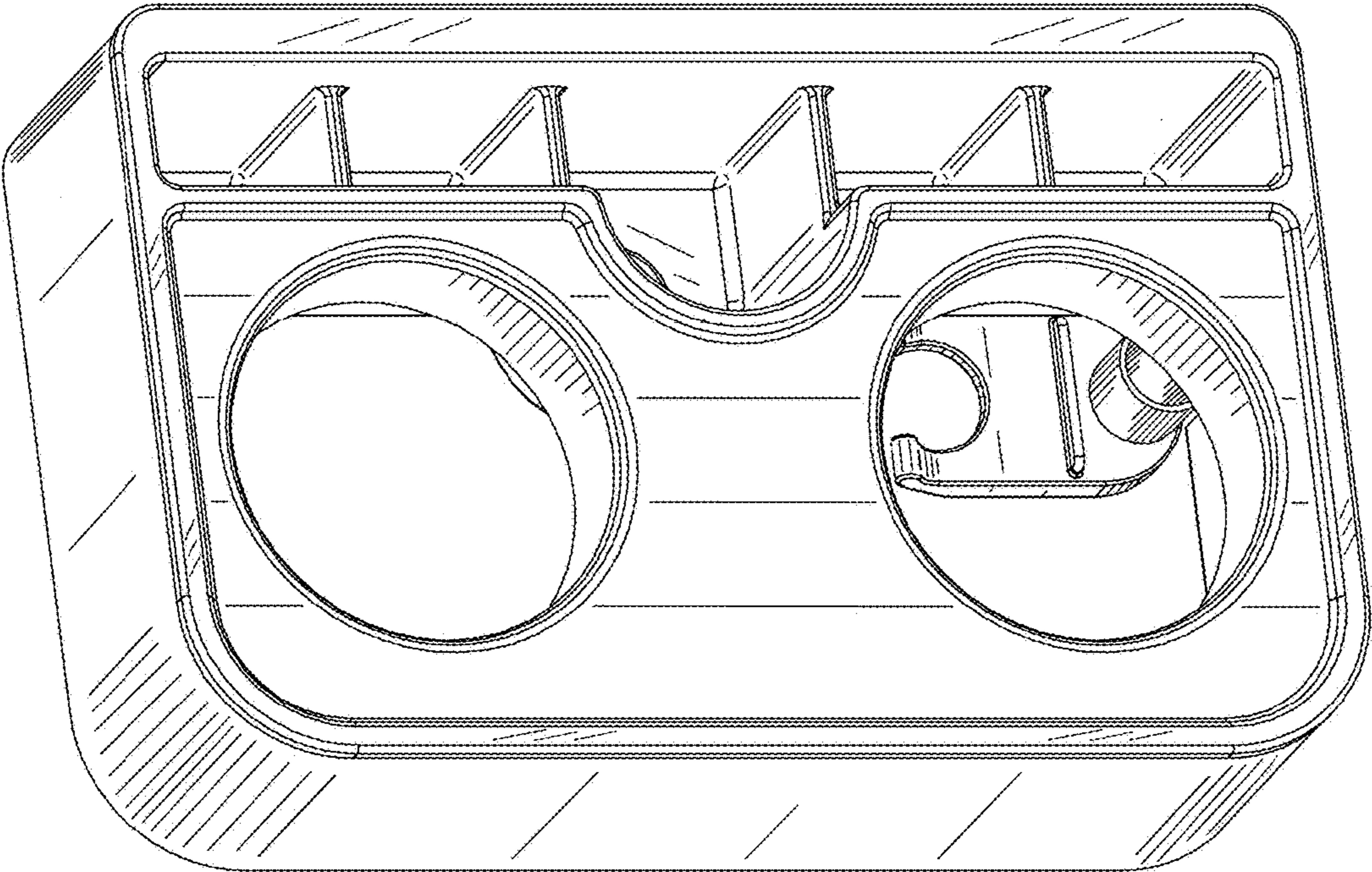


FIG.7

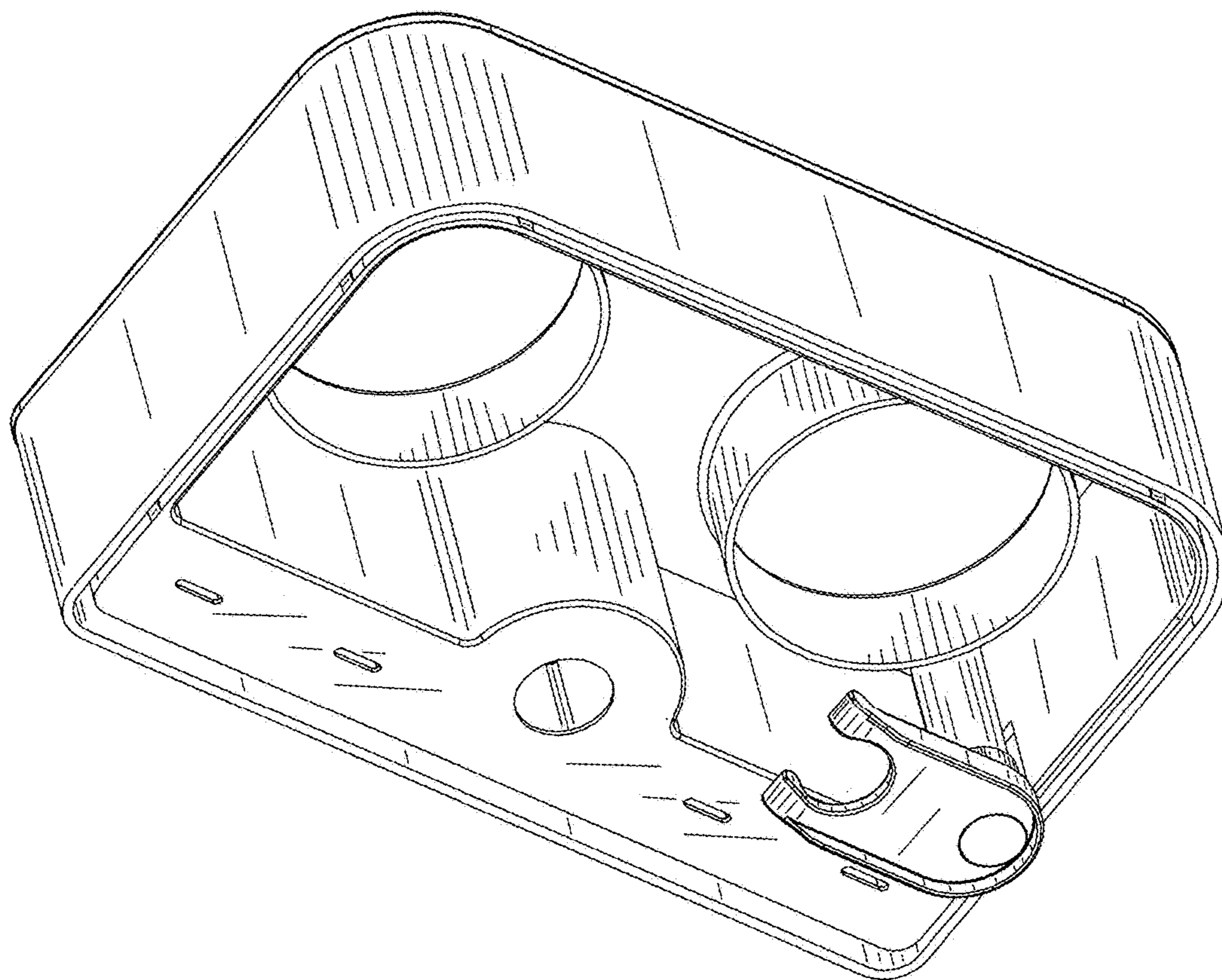


FIG.8

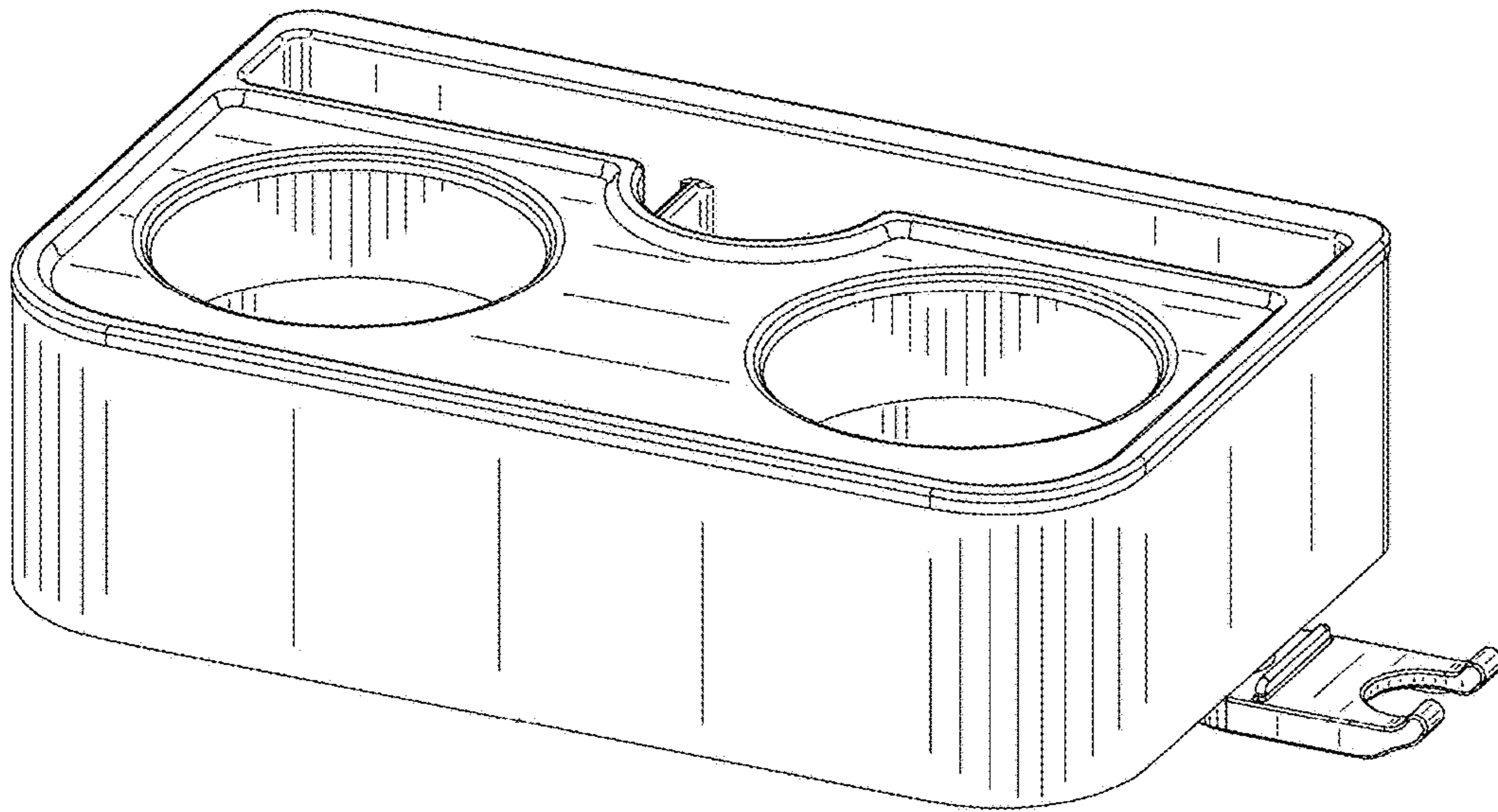


FIG.9

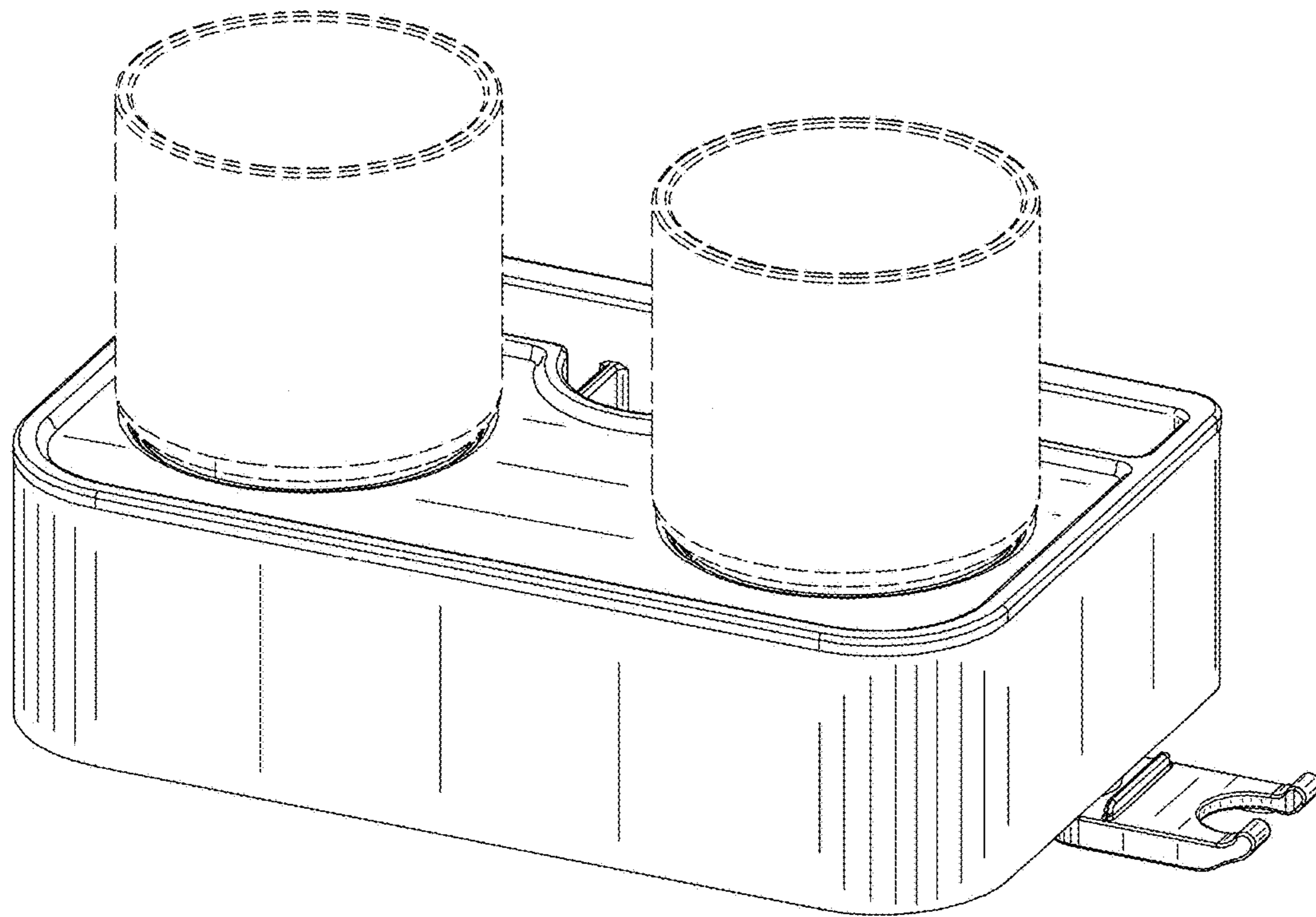


FIG.10