



US00D824734S

(12) **United States Design Patent** (10) **Patent No.:** **US D824,734 S**
Walbroel et al. (45) **Date of Patent:** **** Aug. 7, 2018**

(54) **STRAINER AND JIGGER COMBINATION** 8,631,722 B1 * 1/2014 Davis B25F 1/04
7/155
(71) Applicants: **Jillian Walbroel**, Woodland Park, NJ D705,637 S * 5/2014 Salles D8/105
(US); **Christon G. Suess**, Paramus, NJ D727,701 S * 4/2015 Goldy D8/34
(US) 2013/0160213 A1 * 6/2013 Salles A47J 43/27
7/119

(72) Inventors: **Jillian Walbroel**, Woodland Park, NJ * cited by examiner
(US); **Christon G. Suess**, Paramus, NJ
(US) *Primary Examiner* — Terry A Wallace
(74) *Attorney, Agent, or Firm* — Steven E. Shapiro

(73) Assignee: **Cotapaxi Custom Design and Manufacturing LLC**, Carlstadt, NJ
(US) (57) **CLAIM**

(**) Term: **15 Years** The ornamental design for a strainer and jigger combination,
as shown and described.

(21) Appl. No.: **29/615,685**

(22) Filed: **Aug. 30, 2017**

(51) **LOC (11) Cl.** **07-04**

(52) **U.S. Cl.**
USPC **D7/667; D7/505; D10/46.3**

(58) **Field of Classification Search**
USPC D7/667, 668, 505, 509, 368, 669, 393,
D7/395; D10/46.2, 46.3
CPC A47J 43/27; B25F 1/04; B25F 1/00; B67B
7/38; A47G 21/04; G01F 19/002; G01F
19/00
See application file for complete search history.

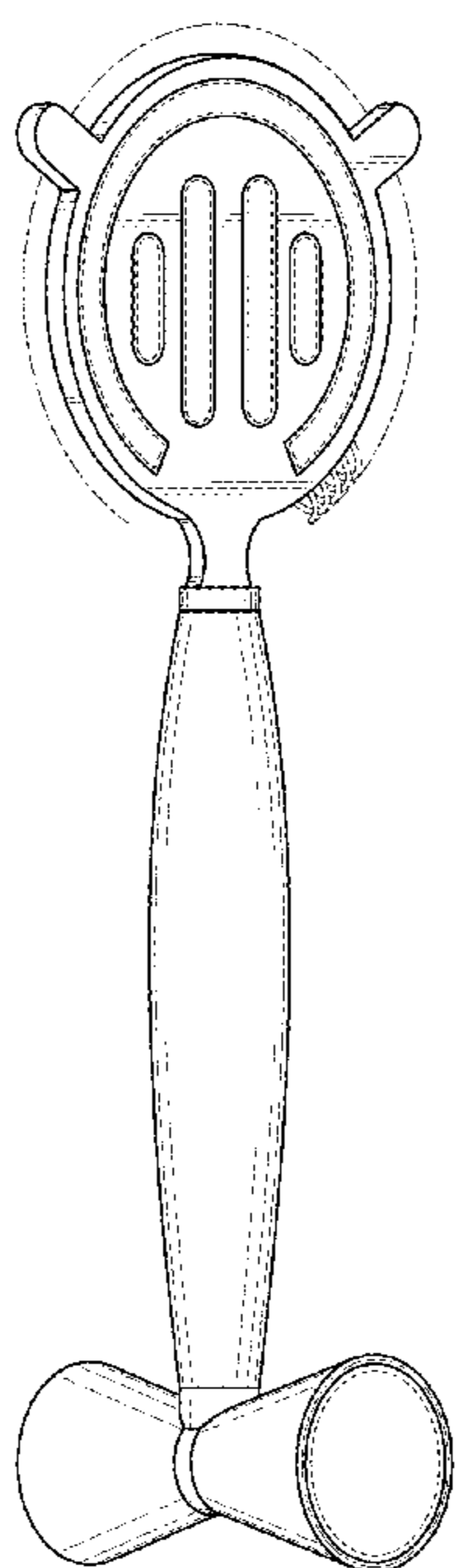
(56) **References Cited**

U.S. PATENT DOCUMENTS
D158,412 S * 5/1950 Sandofur D10/46.2
D497,524 S * 10/2004 Marsden D7/667
6,866,511 B1 * 3/2005 Harris G09B 19/00
220/568
D505,598 S * 5/2005 Fiedeler D7/667

DESCRIPTION

FIG. 1 is a perspective view of a strainer and jigger combination incorporating our new design, a spring represented by phantom lines forming no part of our new design; FIG. 2 is a front plan view of the strainer and jigger combination; FIG. 3 is a rear plan view of the strainer and jigger combination; FIG. 4 is a left side plan view of the strainer and jigger combination; FIG. 5 is a right side plan view of the strainer and jigger combination; FIG. 6 is a top plan view of the strainer and jigger combination; and, FIG. 7 is a bottom plan view of the strainer and jigger combination. The broken lines represent portions of the strainer and jigger combination that form no part of the claimed design.

1 Claim, 7 Drawing Sheets



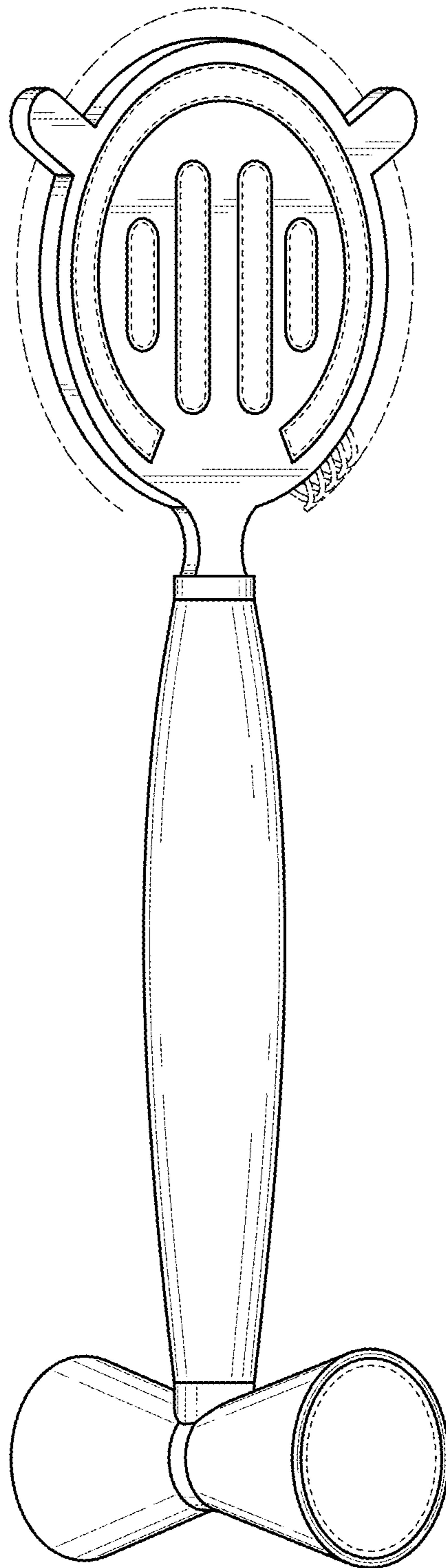


FIG. 1

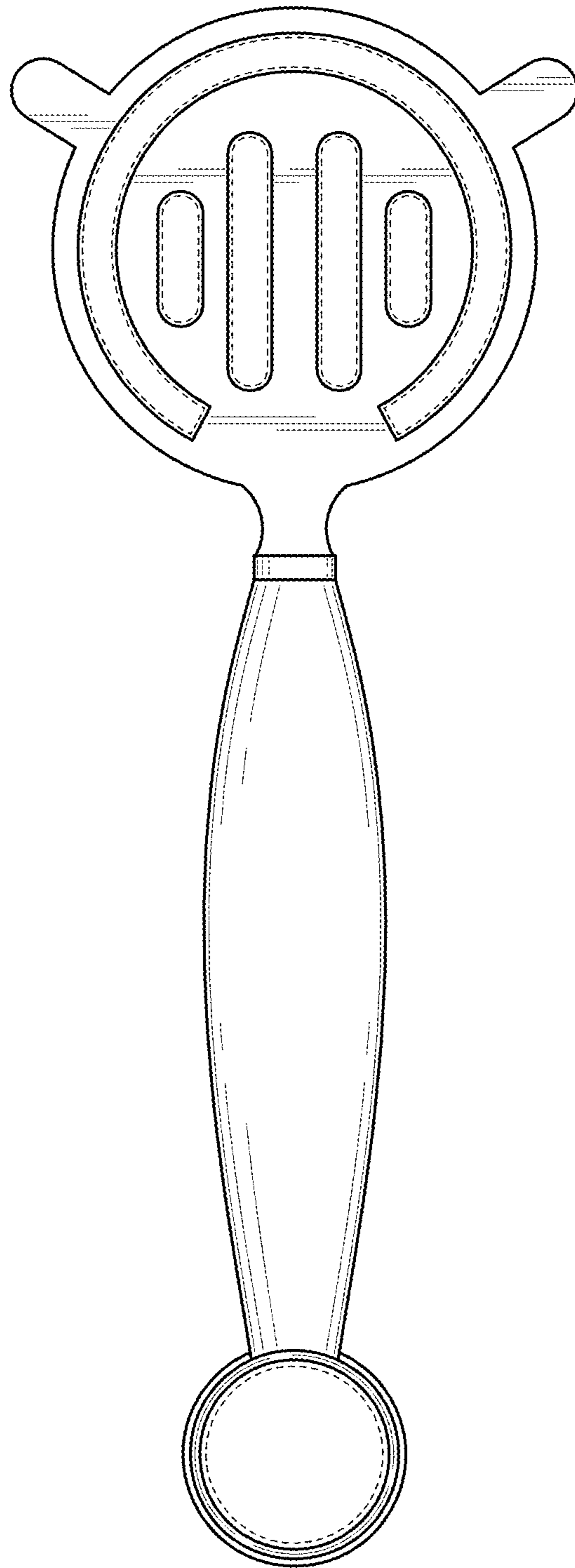


FIG. 2

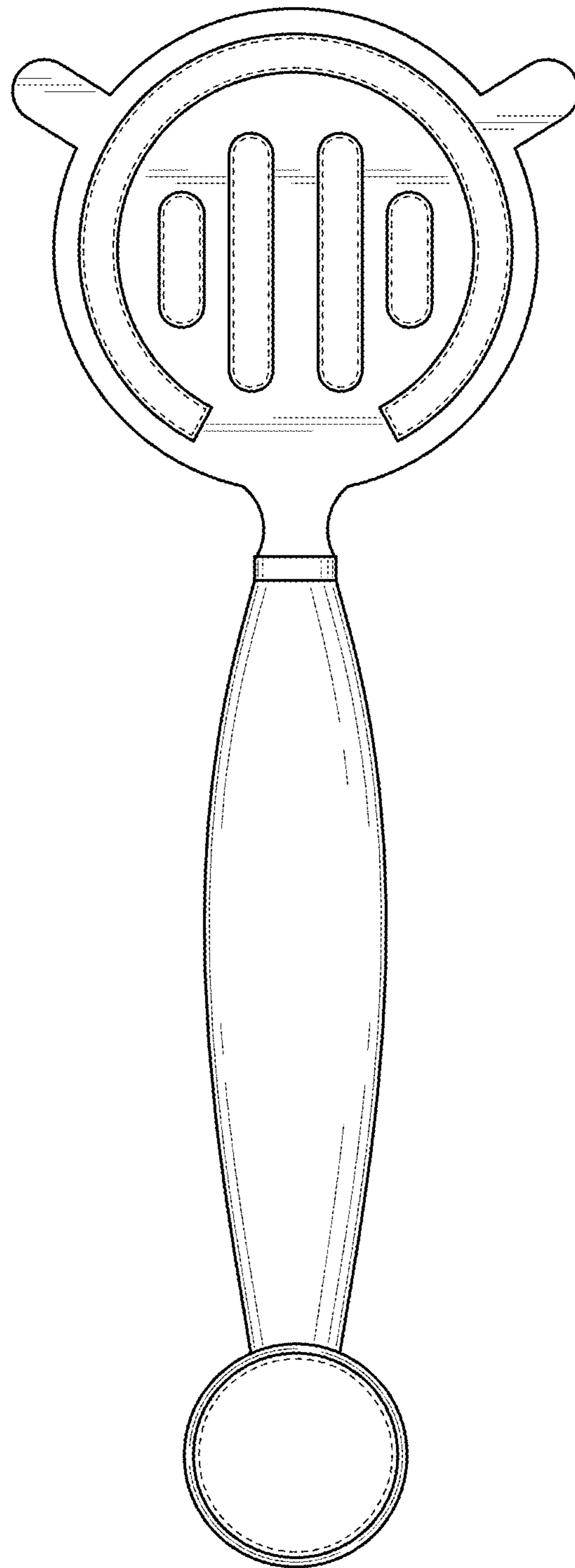


FIG. 3

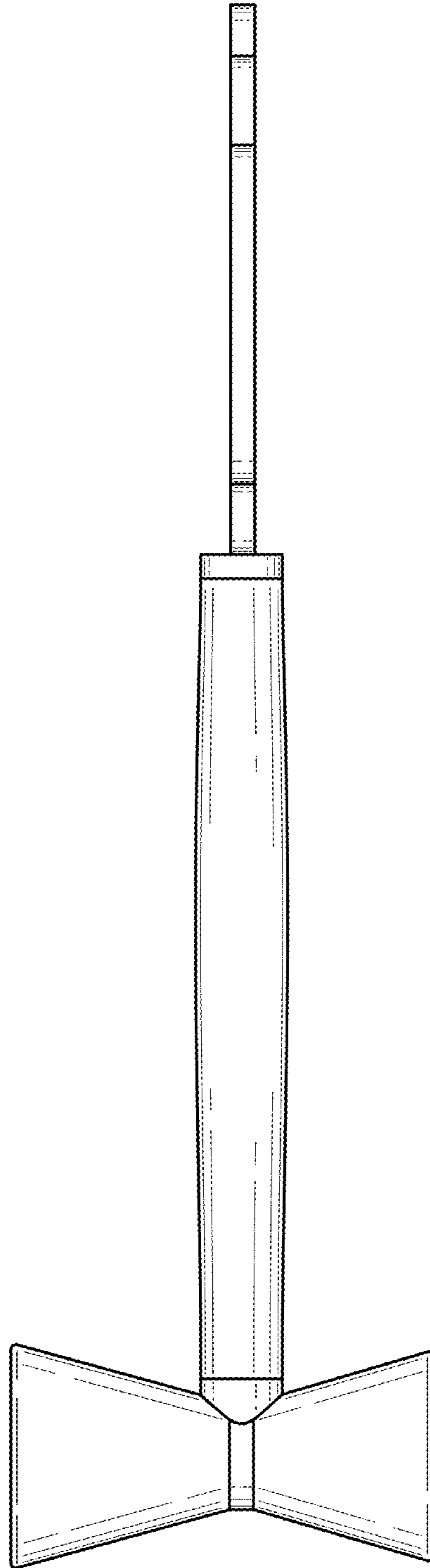


FIG. 4

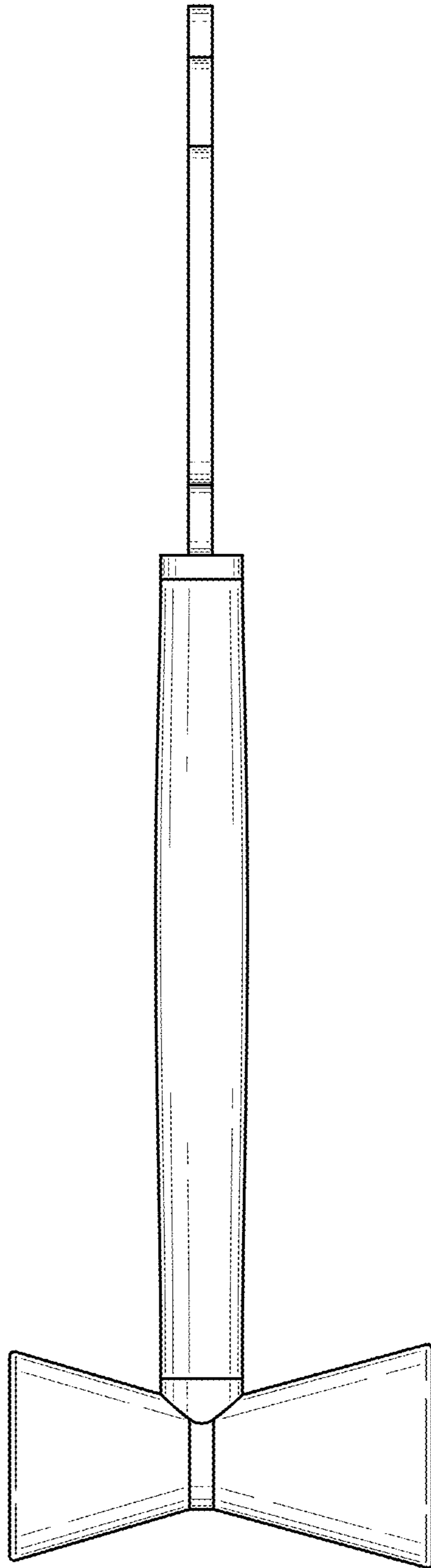


FIG. 5

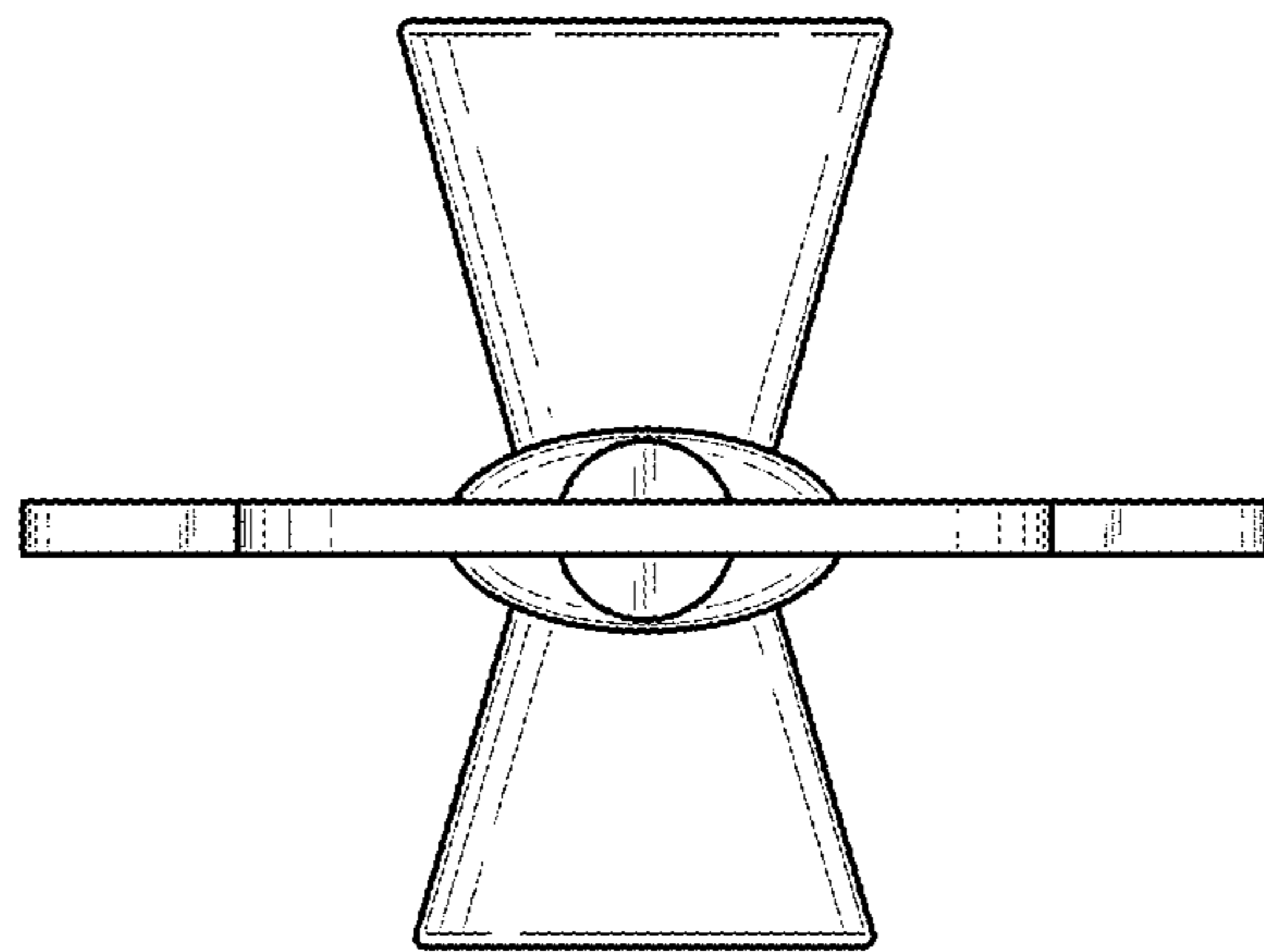


FIG. 6

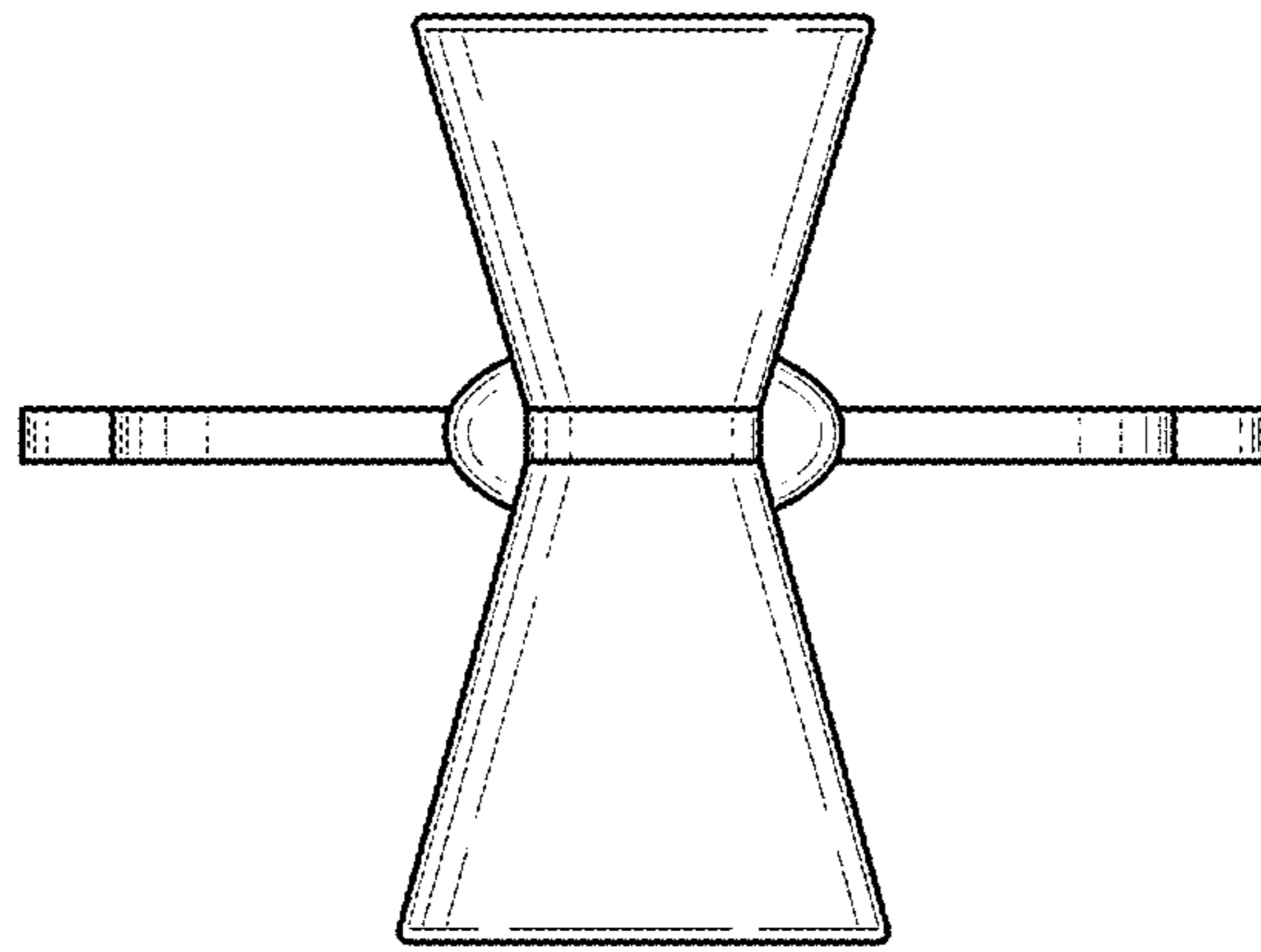


FIG. 7