



US00D824730S

(12) **United States Design Patent** (10) **Patent No.:** **US D824,730 S**  
**Guerdrum et al.** (45) **Date of Patent:** **\*\* Aug. 7, 2018**

(54) **TABLE ACCESSORY**  
(71) Applicant: **OTTER PRODUCTS, LLC**, Fort Collins, CO (US)  
(72) Inventors: **Jonathan H. Guerdrum**, Fort Collins, CO (US); **Patrick J. Nelson**, Loveland, CO (US); **Shanshan Li**, Fort Collins, CO (US)  
(73) Assignee: **Otter Products, LLC**, Fort Collins, CO (US)  
(\*\*) Term: **15 Years**  
(21) Appl. No.: **29/601,375**  
(22) Filed: **Apr. 21, 2017**  
(51) **LOC (11) Cl.** ..... **07-01**  
(52) **U.S. Cl.**  
USPC ..... **D7/605; D7/701**  
(58) **Field of Classification Search**  
USPC ..... D7/701-708, 550.1, 552.1, 554.1, 554.3  
CPC ..... F25D 3/08; F25D 3/06; F25D 3/14; A45C 11/20; A47G 23/0641; A47G 23/06; A47G 23/0633  
See application file for complete search history.

4,964,528 A 10/1990 Wagoner  
5,052,185 A 10/1991 Spahr  
D325,323 S 4/1992 Kahl  
5,285,656 A 2/1994 Peters  
(Continued)

**FOREIGN PATENT DOCUMENTS**

EP 3061704 A1 8/2016  
WO 2004029526 A1 4/2004  
(Continued)

**OTHER PUBLICATIONS**

Digital Trends, "The new Venture coolers from Otterbox . . .",  
Posted May 9, 2017.(<https://www.digitaltrends.com/outdoors/otterbox-venture-coolers/>).  
(Continued)

*Primary Examiner* — Terry A Wallace

(57) **CLAIM**

The ornamental design for a table accessory, as shown and described.

**DESCRIPTION**

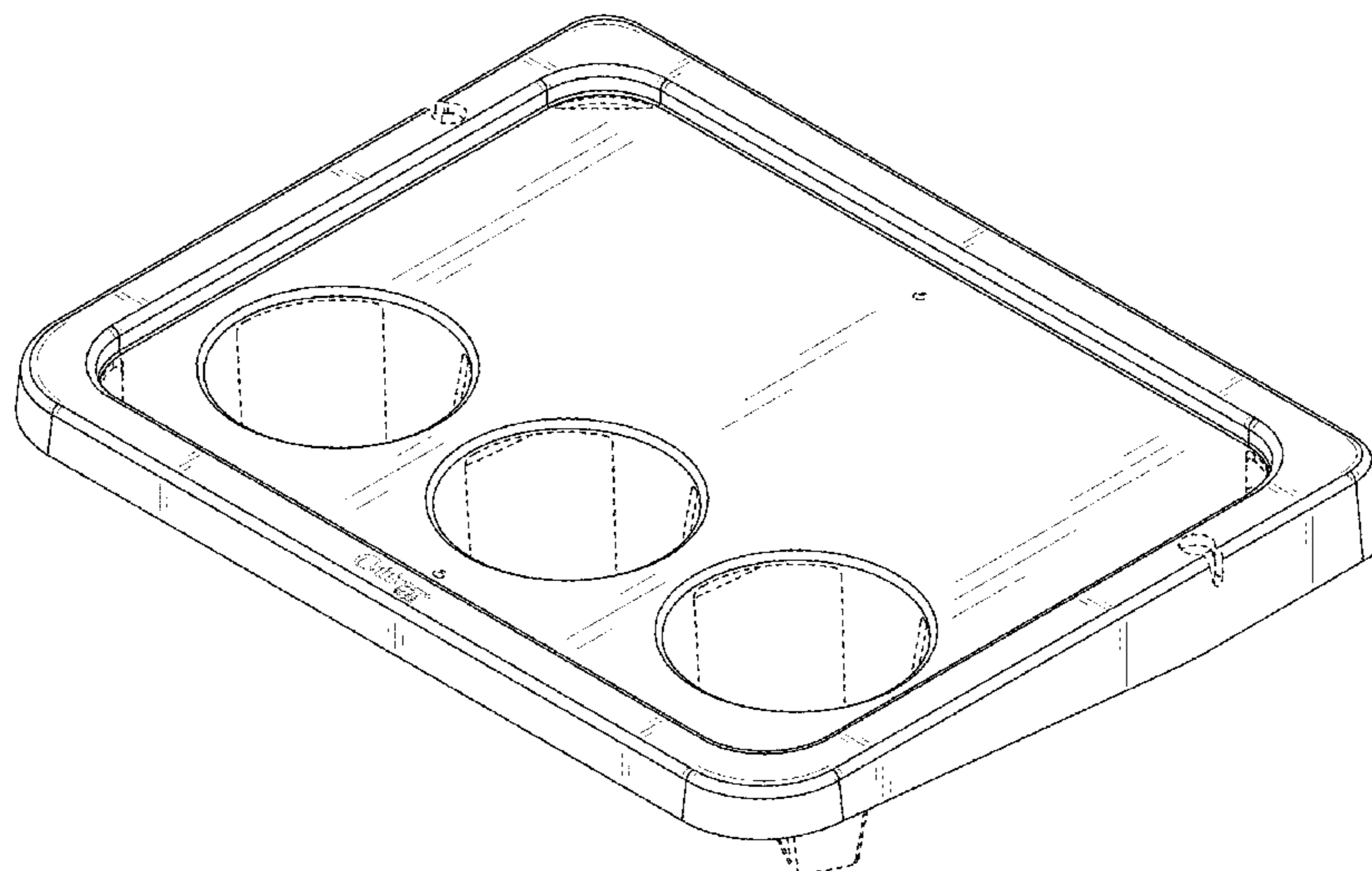
FIG. 1 is a front isometric view of a table accessory showing our new design;  
FIG. 2 is a rear isometric view thereof;  
FIG. 3 is a front view thereof;  
FIG. 4 is a rear view thereof;  
FIG. 5 is a left view thereof;  
FIG. 6 is a right view thereof; and,  
FIG. 7 is a top view thereof.  
No claim is made to the bottom view, which is omitted from the drawings.  
The dash-dash broken lines throughout the drawing figures depict portions of the table accessory that form no part of the claimed design. The broken lines and unshaded surfaces bounded by broken lines form no part of the claimed design.

**1 Claim, 7 Drawing Sheets**

(56) **References Cited**

**U.S. PATENT DOCUMENTS**

1,468,563 A \* 9/1923 Girard ..... A47B 13/00  
248/174  
2,627,993 A 2/1953 Hafner  
3,395,550 A 8/1968 Dungan  
3,850,398 A 11/1974 Kantor  
3,868,829 A 3/1975 Kemper  
3,939,986 A 2/1976 Pierro  
D275,822 S 10/1984 Gatland et al.  
4,515,421 A 5/1985 Steffes  
4,560,128 A 12/1985 Willeby et al.  
RE32,740 E 8/1988 Steffes



(56)

References Cited

U.S. PATENT DOCUMENTS

D353,082 S \* 12/1994 Keven ..... D12/420  
 D354,419 S 1/1995 Kahl et al.  
 5,816,432 A 10/1998 Hammen et al.  
 5,845,515 A 12/1998 Nelson  
 D419,297 S 1/2000 Richardson et al.  
 D419,767 S 2/2000 Richardson et al.  
 D419,768 S 2/2000 Richardson et al.  
 6,039,202 A 3/2000 Olstad et al.  
 D435,196 S 12/2000 Gregor et al.  
 6,185,860 B1 2/2001 Thibodeaux  
 6,244,458 B1 6/2001 Frysinger et al.  
 D444,683 S 7/2001 Corrian  
 D451,765 S 12/2001 Israel et al.  
 6,328,179 B1 12/2001 Conrado et al.  
 D472,384 S 4/2003 Richardson  
 6,751,963 B2 6/2004 Navedo et al.  
 6,895,778 B1 5/2005 Ackerman  
 D513,123 S 12/2005 Richardson et al.  
 D514,808 S 2/2006 Morine et al.  
 D516,807 S 3/2006 Richardson et al.  
 D527,953 S \* 9/2006 Le Gal ..... D7/552.1  
 7,140,507 B2 11/2006 Maldonado et al.  
 7,296,433 B2 11/2007 Uihlein et al.  
 D635,832 S 4/2011 Bergin  
 8,065,889 B1 11/2011 Silberman  
 8,246,190 B2 \* 8/2012 Boiteau ..... A47G 23/0641  
 206/139  
 D712,720 S 9/2014 Seiders  
 D712,721 S 9/2014 Seiders  
 D712,722 S 9/2014 Seiders  
 D712,723 S 9/2014 Seiders  
 D714,125 S 9/2014 Seiders  
 8,910,819 B2 12/2014 Seiders  
 D722,474 S 2/2015 Seiders  
 D722,475 S 2/2015 Seiders  
 D732,348 S 6/2015 Seiders et al.  
 D732,349 S 6/2015 Seiders et al.  
 D732,350 S 6/2015 Seiders et al.  
 D732,899 S 6/2015 Seiders et al.  
 9,139,352 B2 9/2015 Seiders et al.  
 9,187,232 B2 11/2015 Seiders  
 D752,347 S 3/2016 Seiders et al.  
 9,316,428 B2 4/2016 Mech  
 9,389,010 B1 7/2016 Booker  
 9,446,847 B2 9/2016 Richardson et al.  
 9,500,400 B2 11/2016 Smith  
 9,834,342 B2 4/2017 Seiders  
 D786,559 S 5/2017 Seiders et al.  
 D786,560 S 5/2017 Seiders et al.  
 D786,561 S 5/2017 Seiders et al.  
 D786,562 S 5/2017 Seiders et al.  
 D787,187 S 5/2017 Seiders et al.  
 D797,454 S 9/2017 Seiders et al.  
 D797,455 S 9/2017 Seiders et al.  
 D798,670 S 10/2017 Seiders et al.  
 D799,276 S 10/2017 Seiders et al.

D799,277 S 10/2017 Seiders et al.  
 D799,905 S 10/2017 Seiders et al.  
 D801,123 S 10/2017 Seiders et al.  
 9,796,517 B2 10/2017 Seiders et al.  
 D802,373 S 11/2017 Seiders et al.  
 D804,905 S 12/2017 Seiders et al.  
 D805,851 S 12/2017 Seiders et al.  
 2003/0038138 A1 2/2003 Komurke  
 2003/0141424 A1 7/2003 Thomas  
 2004/0178208 A1 9/2004 Leba et al.  
 2004/0238543 A1 12/2004 Askew  
 2004/0262319 A1 12/2004 Fisher  
 2005/0263527 A1 12/2005 Maldonado et al.  
 2005/0279124 A1 12/2005 Maldonado  
 2010/0287976 A1 11/2010 Roof et al.  
 2011/0056233 A1 3/2011 Flaker et al.  
 2011/0182532 A1 7/2011 Baltus  
 2011/0203297 A1 8/2011 Oberweis  
 2011/0220531 A1 9/2011 Meether et al.  
 2011/0289958 A1 12/2011 White et al.  
 2015/0210444 A1 7/2015 Mercado et al.  
 2016/0101924 A1 4/2016 Mitchell et al.  
 2016/0279840 A1 9/2016 French et al.  
 2017/0023289 A1 1/2017 Anderson  
 2017/0073146 A1 3/2017 Kuhn et al.  
 2017/0073147 A1 3/2017 Kuhn  
 2017/0305639 A1 10/2017 Kuhn et al.

FOREIGN PATENT DOCUMENTS

WO 2006007266 A2 1/2006  
 WO 2006009537 A1 1/2006  
 WO 2014105962 A1 7/2014  
 WO 2016154105 A1 9/2016

OTHER PUBLICATIONS

OtterBox, "Rugged Venture Coolers", Accessed Jan. 16, 2018. (<https://www.otterbox.com/en-us/venture-coolers.html>).  
 Pelican Products, "70QT Cooler", Accessed Jan. 16, 2018. (<http://www.pelican.com/us/en/product/outdoor-heavy-dutycoolers/elite-cooler/cooler/70QT/>).  
 The Cooler Box, "Cordova Coolers vs Yeti—Is This New Cooler Better Than Yeti?", Published Oct. 24, 2016. (<http://thecoolerbox.com/cordova-coolers-vs-yeti/>).  
 Pelican Consumer, Coolers—Hunting, Fishing, Camping, downloaded from <http://www.pelican.com/us/en/products/coolers> May 8, 2017, 2 pages.  
 RTIC, Cooler Accessories, downloaded May 8, 2017 from <http://www.rticcoolers.com/shop/coolers/accessories>, 14 pages.  
 Yeti Coolers, Tundra Cooler Divider, downloaded from [www.yeti.com/tundra-dividers](http://www.yeti.com/tundra-dividers) May 8, 2017, 4 pages.  
 Yeti Coolers, Tundra Ice Chests, downloaded from <http://yeti.com/tundra> May 8, 2017, 7 pages.  
 Yeti Coolers, Yeti Accessories & Parts, downloaded from <http://yeti.com/accessories> May 8, 2017, 5 pages.

\* cited by examiner



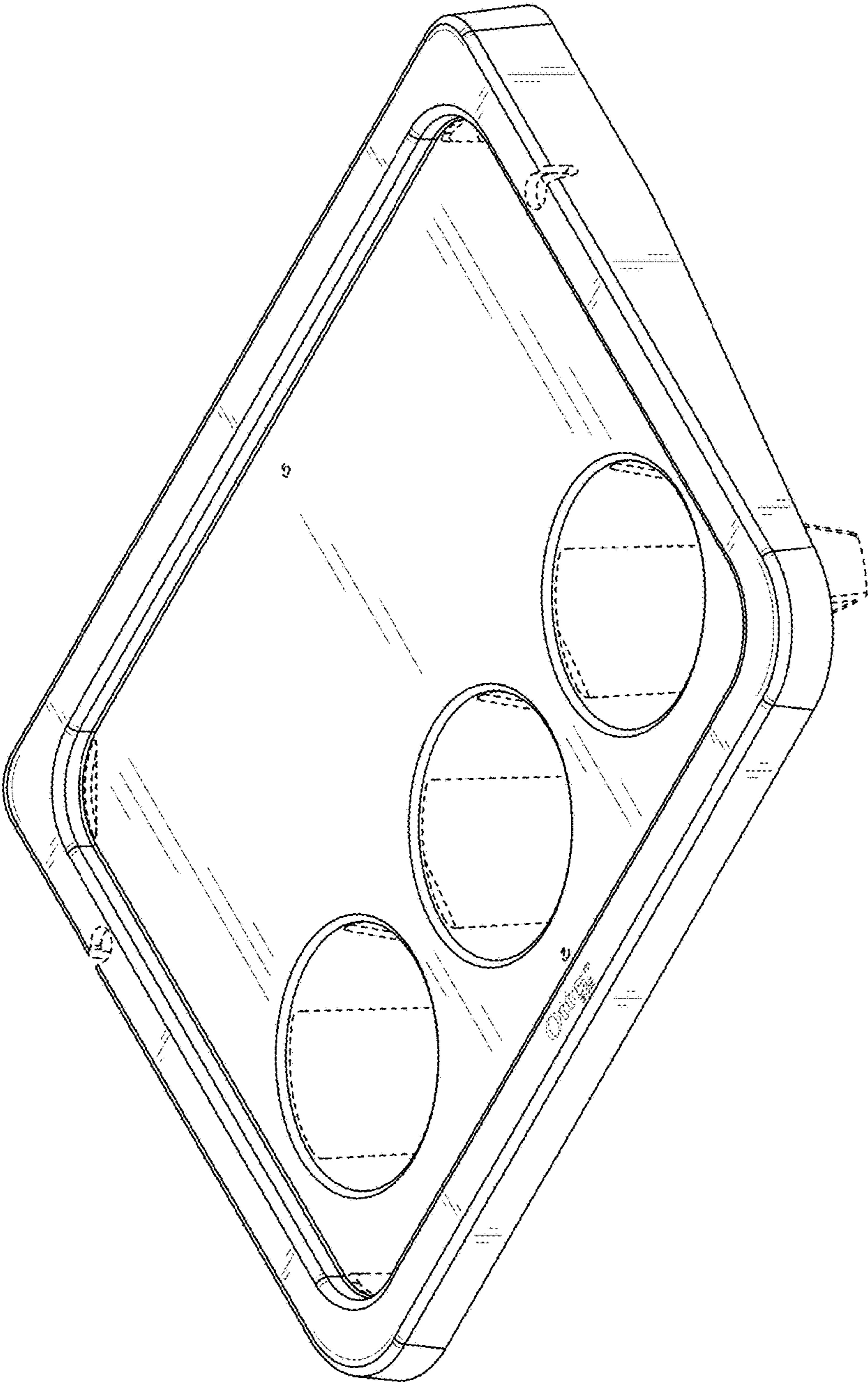


FIG. 1

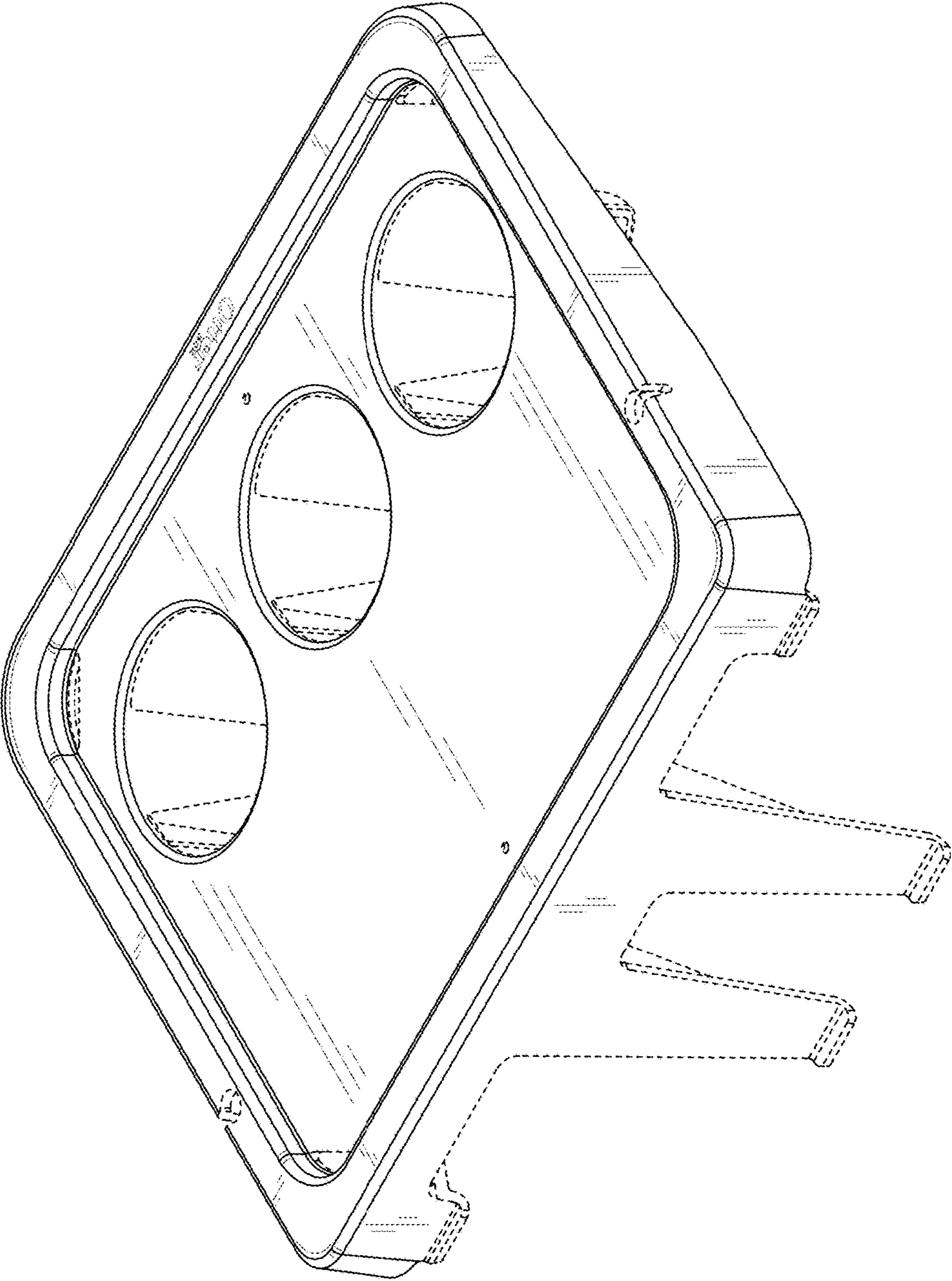


FIG. 2

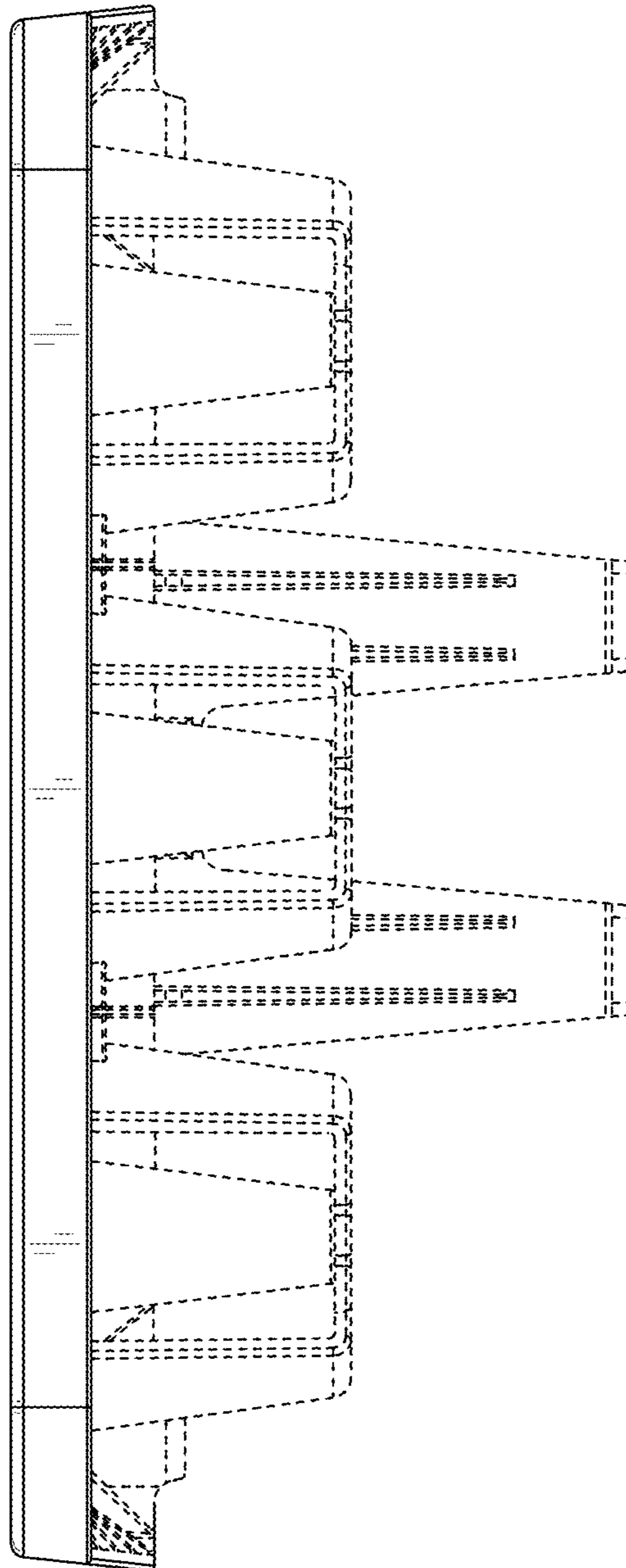


FIG. 3

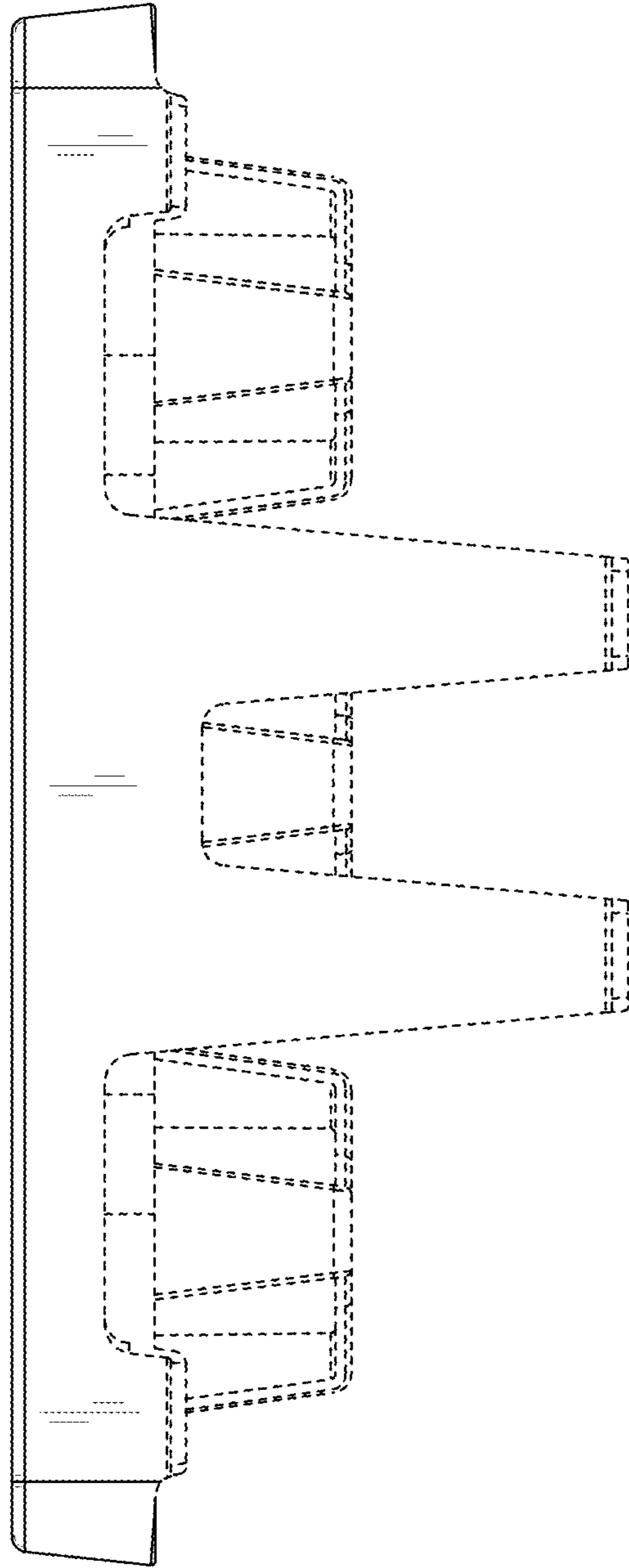


FIG. 4

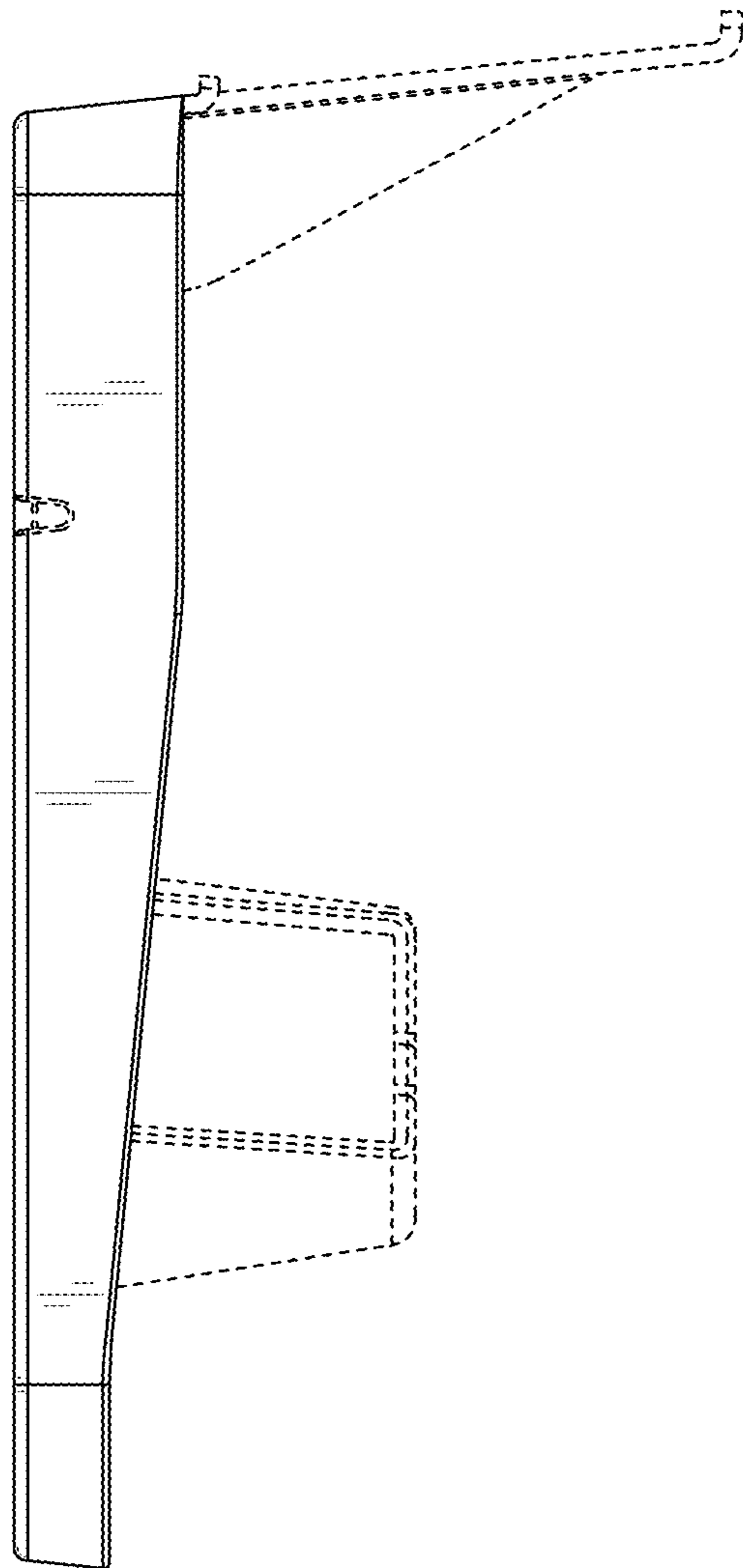


FIG. 5

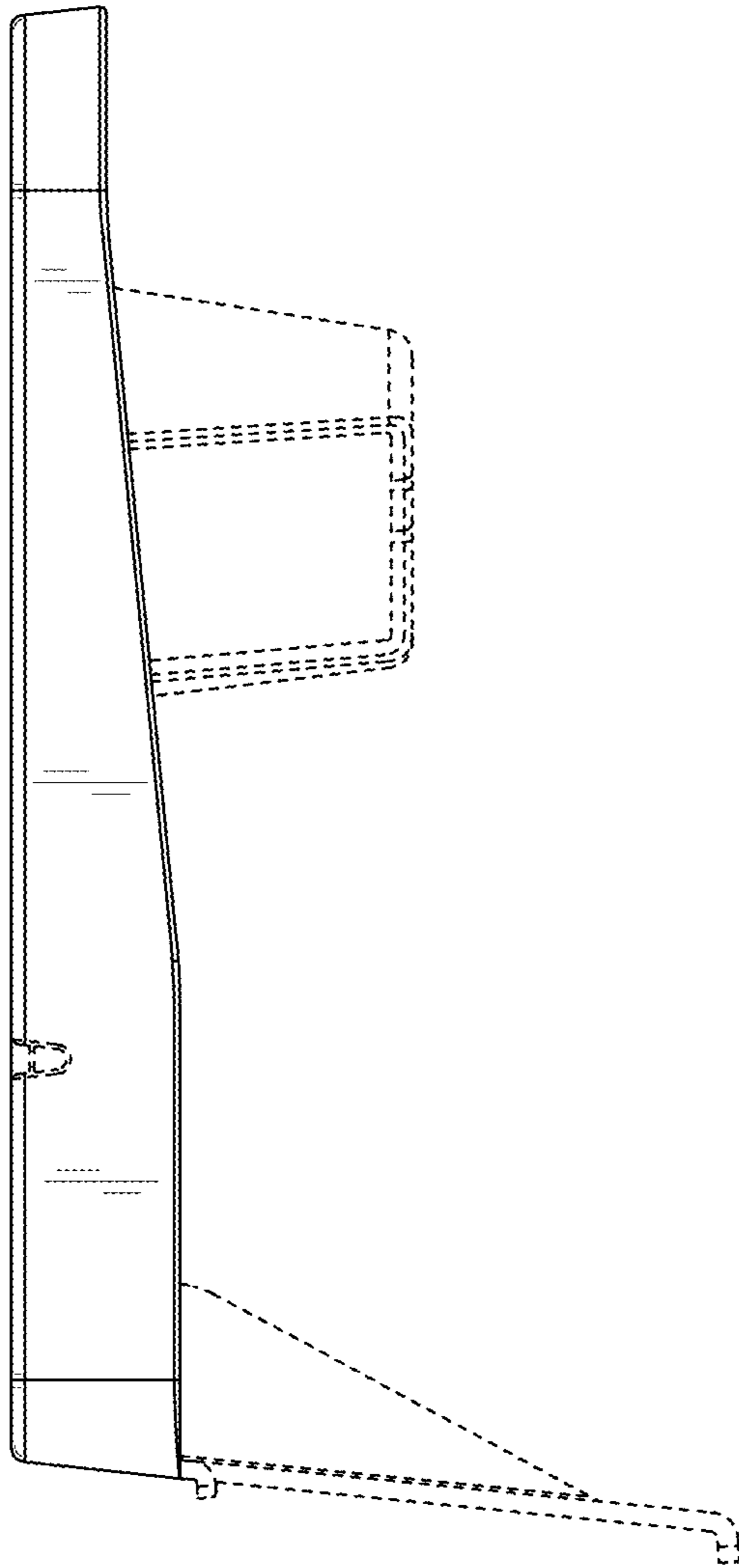


FIG. 6



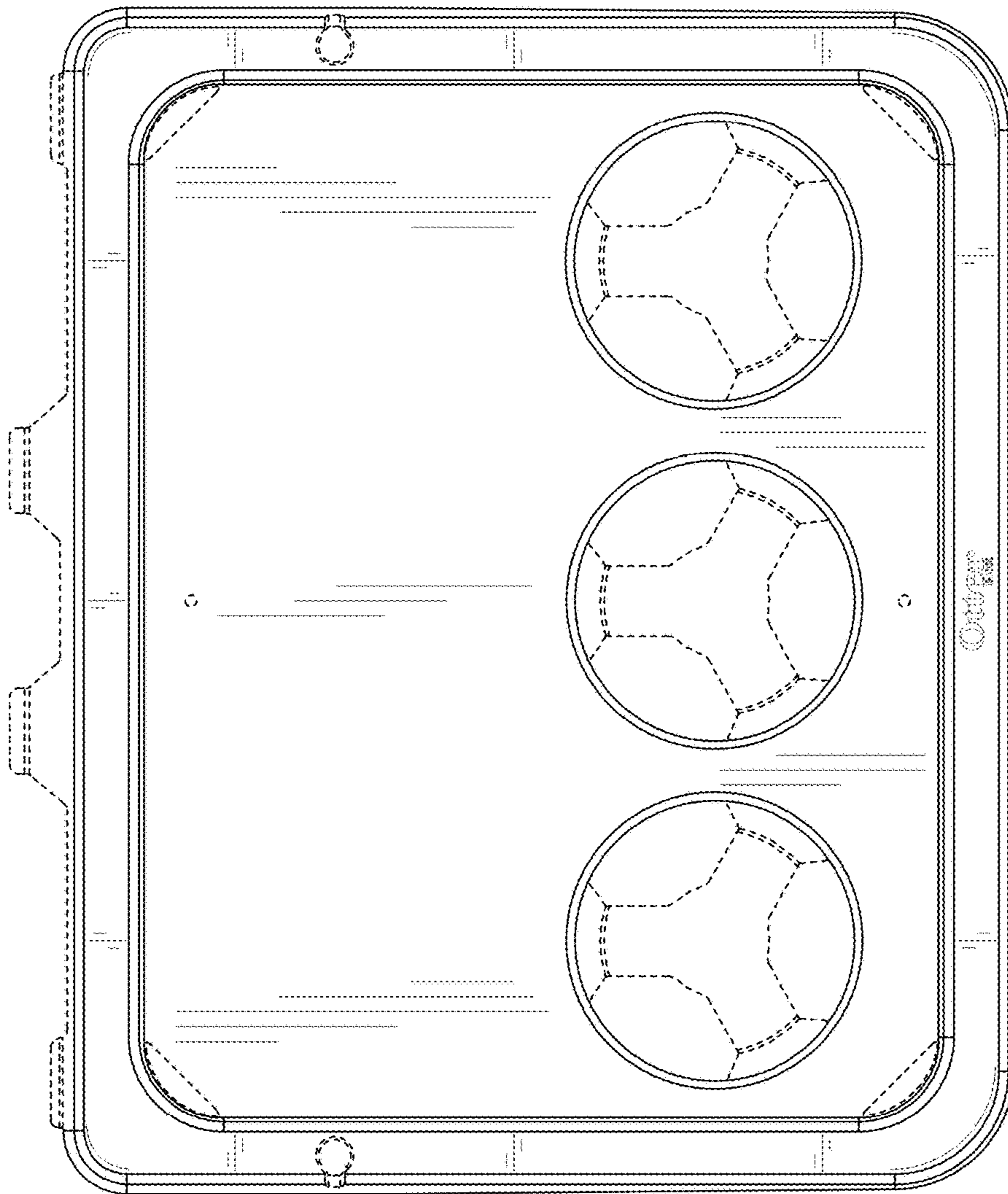


FIG. 7