

US00D824729S

(12) **United States Design Patent** (10) **Patent No.:** **US D824,729 S**
Fitchko et al. (45) **Date of Patent:** **** *Aug. 7, 2018**

(54) **SPICE CUP**

(71) Applicant: **B&G FOODS NORTH AMERICA, INC.**, Parsippany, NJ (US)

(72) Inventors: **Aaron F. Fitchko**, Huxley, IA (US); **Erica Hammack**, Deerfield, IL (US); **Robert G. Larkin**, Johnston, IA (US); **William H. Dickson**, Covington, KY (US); **Jillian C. Hartke**, Cincinnati, OH (US); **Michael J. Palmisano**, Cincinnati, OH (US); **Steven D. Richardson**, Cincinnati, OH (US); **Allan E. Wade**, Ankeny, IA (US)

(73) Assignee: **B&G FOODS NORTH AMERICA, INC.**, Parsippany, NJ (US)

(*) Notice: This patent is subject to a terminal disclaimer.

(**) Term: **15 Years**

(21) Appl. No.: **29/549,526**

(22) Filed: **Dec. 22, 2015**

(51) **LOC (11) Cl.** **07-01**

(52) **U.S. Cl.**

USPC **D7/529; D7/589; D7/532; D7/316**

(58) **Field of Classification Search**

USPC D7/507, 509, 510, 511, 523, 529, 530, D7/532, 392.1, 396.2, 608, 599, 598, 397, D7/589, 316; D9/444, 567, 552, 554, D9/555, 565, 568, 571; 220/592.16, 220/592.17, 200

CPC A47G 19/22; A47G 19/2205; A45F 3/16; Y10S 220/903

See application file for complete search history.

(56) **References Cited**

U.S. PATENT DOCUMENTS

D151,431 S * 10/1948 Cooper D7/316

D215,749 S * 10/1969 Adler D7/317

D328,492 S * 8/1992 Mathis D10/46.2
D505,830 S * 6/2005 Smith D7/509
D514,458 S * 2/2006 Lawson D10/46.2
D556,513 S * 12/2007 Yelland D7/516
D560,970 S * 2/2008 Yelland D7/532
D577,615 S * 9/2008 Markfelder D10/46.2
D598,743 S * 8/2009 LaMasney D7/316
D615,356 S * 5/2010 Hillebrenner D7/509
D617,144 S * 6/2010 O'Connor D7/396.2
D620,755 S * 8/2010 Haskell D7/510
D620,817 S * 8/2010 Eide D10/46.2
D628,060 S * 11/2010 Wallach D9/424
D637,041 S * 5/2011 Haskell D7/510
D649,396 S * 11/2011 Wilkens D7/396.2

(Continued)

Primary Examiner — Marianne Pandozzi

Assistant Examiner — Jae Liang

(74) *Attorney, Agent, or Firm* — K&L Gates LLP

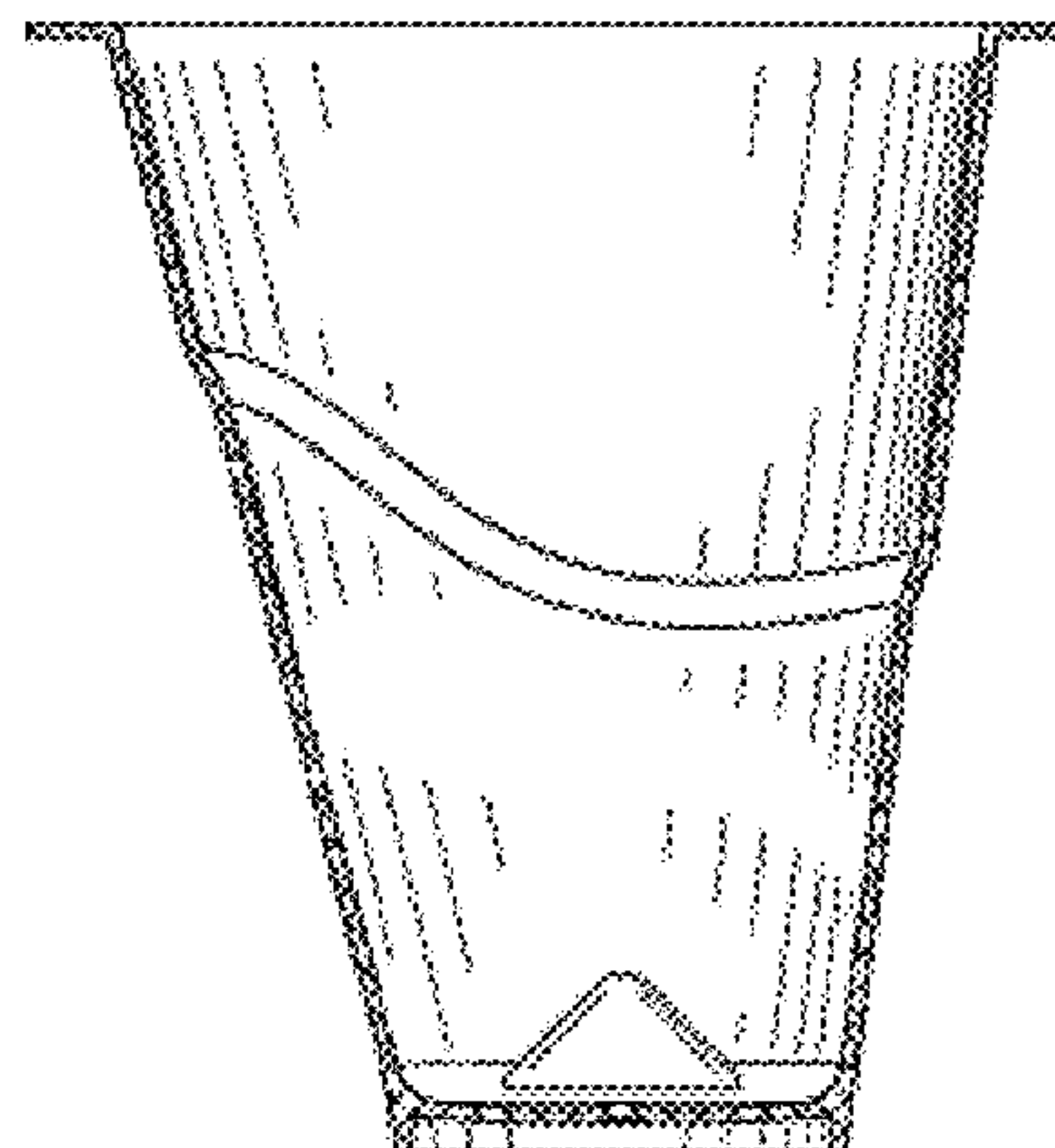
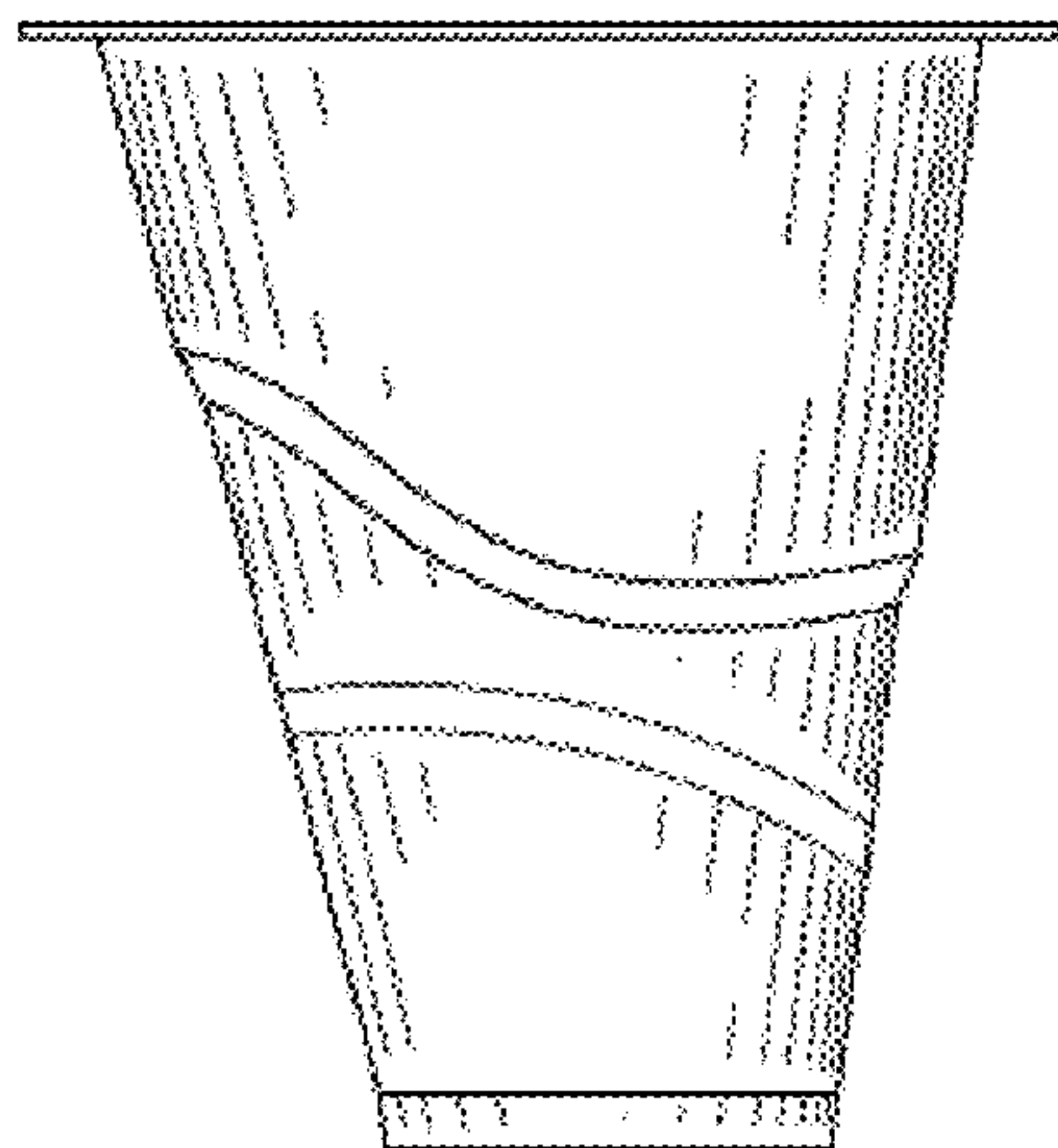
(57) **CLAIM**

The ornamental design for a spice cup, as shown and described.

DESCRIPTION

FIG. 1 is a perspective view of a spice cup, with a portion of the sidewall cut out for ease of illustration to show a denesting lug within the spice cup, showing our new design; FIG. 2 is a perspective view of a spice cup; FIG. 3 is a front elevational view thereof; FIG. 4 is a rear elevational view thereof; FIG. 5 is a first side elevational view thereof; FIG. 6 is a second side elevational view thereof; FIG. 7 is a top elevational view thereof; FIG. 8 is a bottom elevational view thereof; FIG. 9 is a cross-sectional view thereof showing a section, taken along line 9-9 of FIG 7; and, FIG. 10 is another cross-sectional view thereof showing a section taken along line 10-10 of FIG. 7.

1 Claim, 4 Drawing Sheets



(56)

References Cited

U.S. PATENT DOCUMENTS

D649,397 S *	11/2011	Wilkens	D7/396.2
D661,947 S *	6/2012	Conti	D7/376
D676,755 S *	2/2013	Hein	D9/519
D687,262 S *	8/2013	Bucceri	A47G 19/2288 D7/509
D697,795 S *	1/2014	Garza	D9/424
D742,218 S *	11/2015	Astorga	D9/424
D761,059 S *	7/2016	Fitchko	D7/316
D763,039 S *	8/2016	Ionov	D7/510
D763,620 S *	8/2016	Szymanski	D7/392.1
D767,993 S *	10/2016	Joshi	D9/538
D770,271 S *	11/2016	McBride	D9/424
D772,013 S *	11/2016	O'Connor	D7/509
D777,519 S *	1/2017	Levy	D7/509
D785,275 S *	5/2017	Khanna	D1/105

* cited by examiner

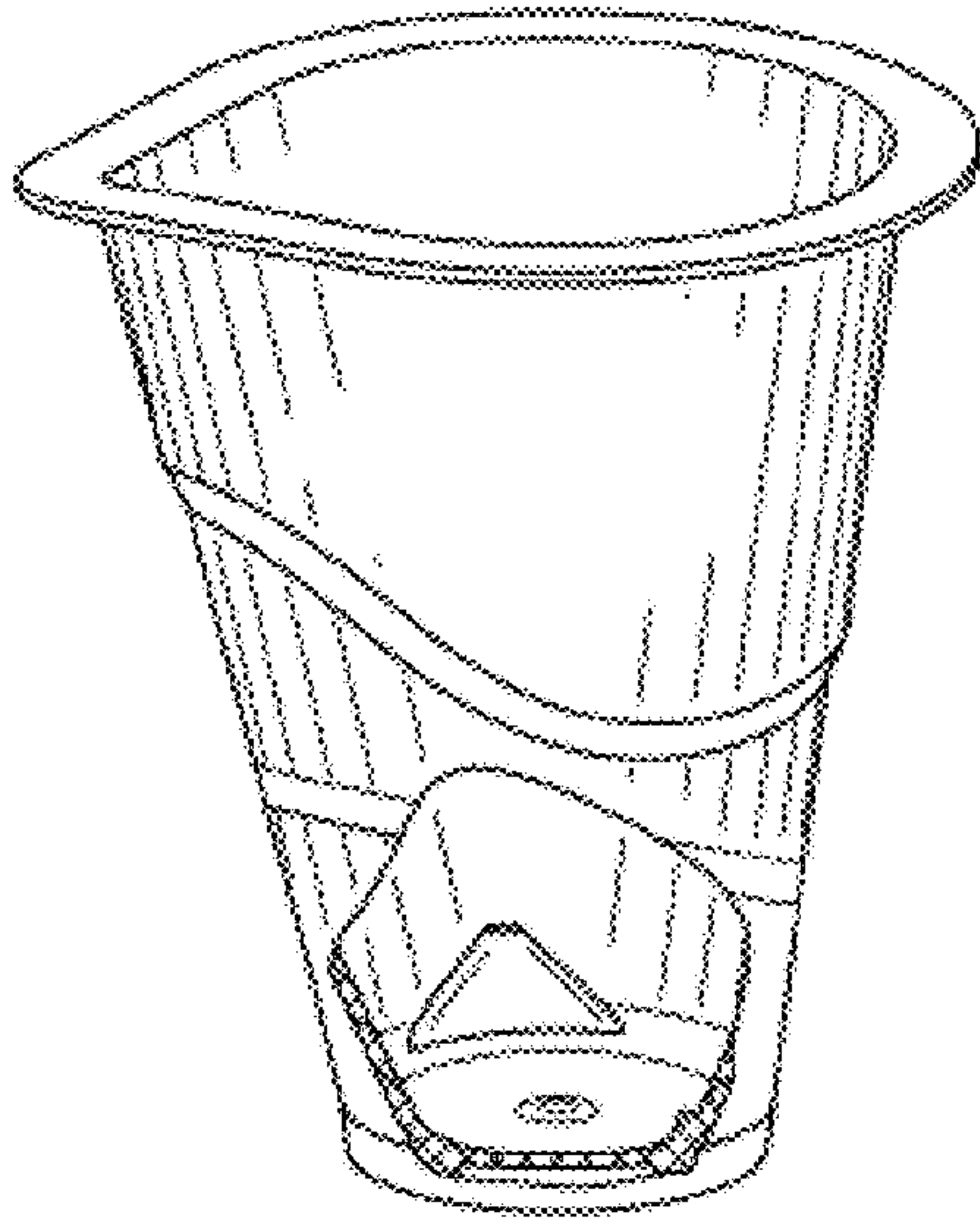


FIG. 1

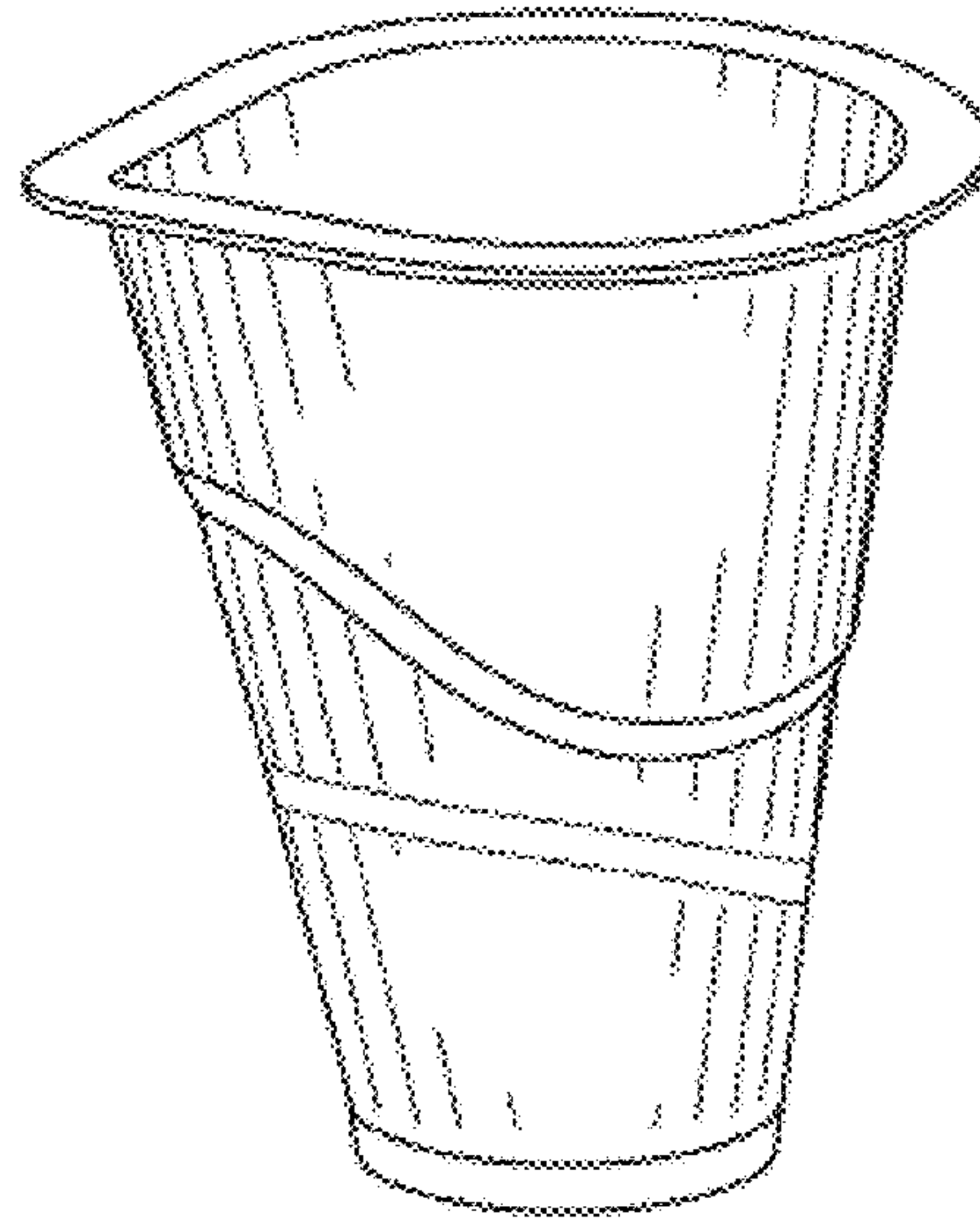


FIG. 2

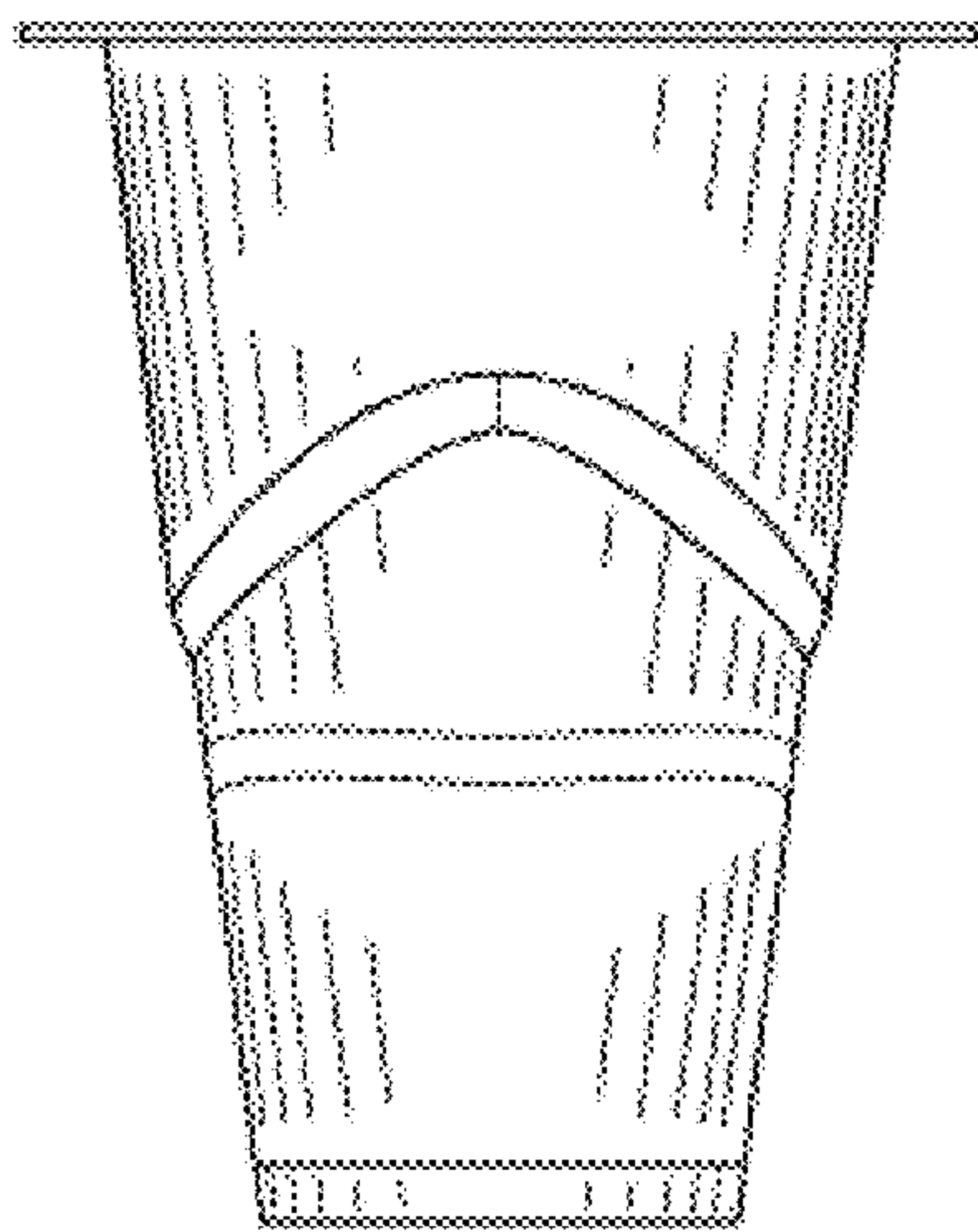


FIG. 3

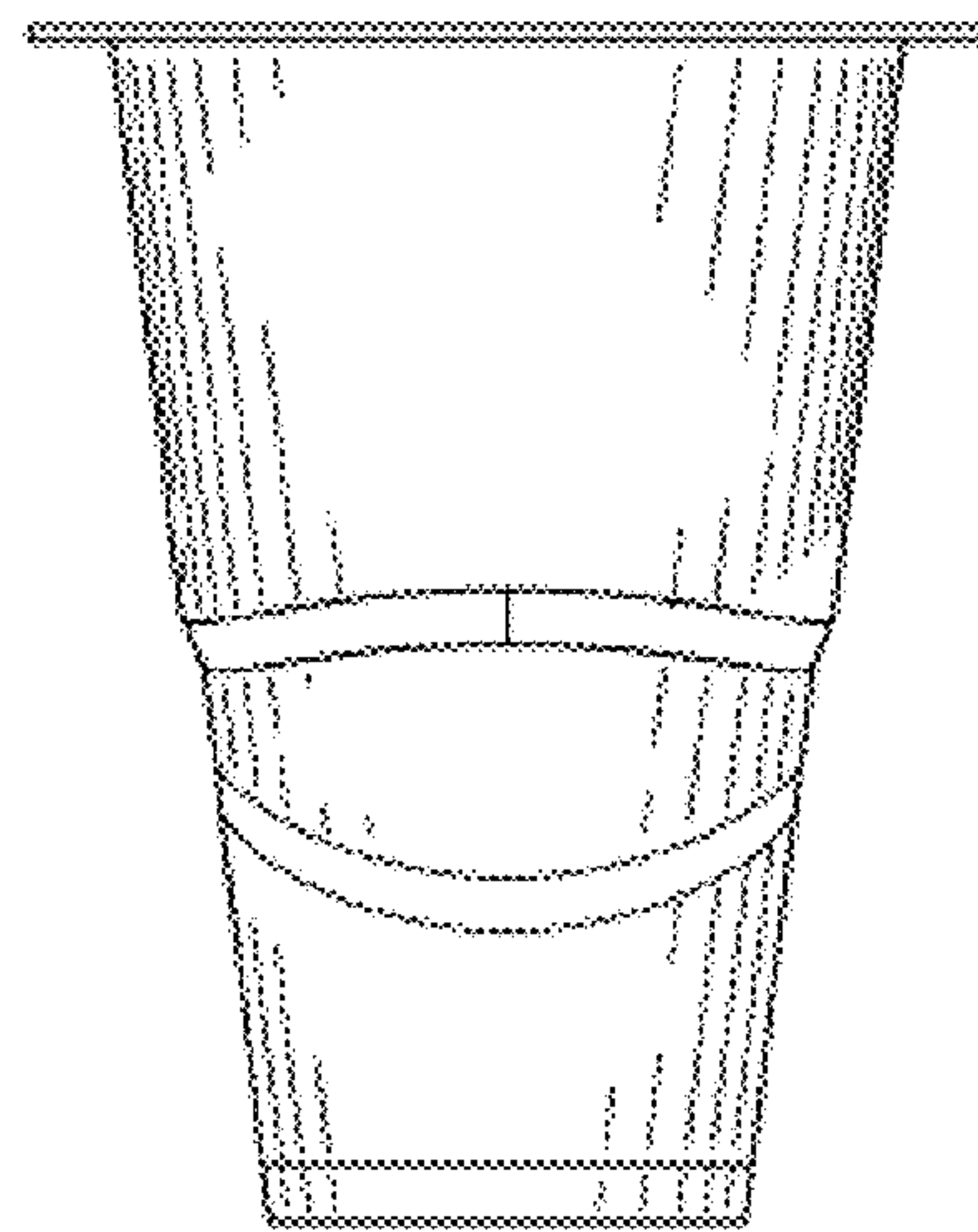


FIG. 4

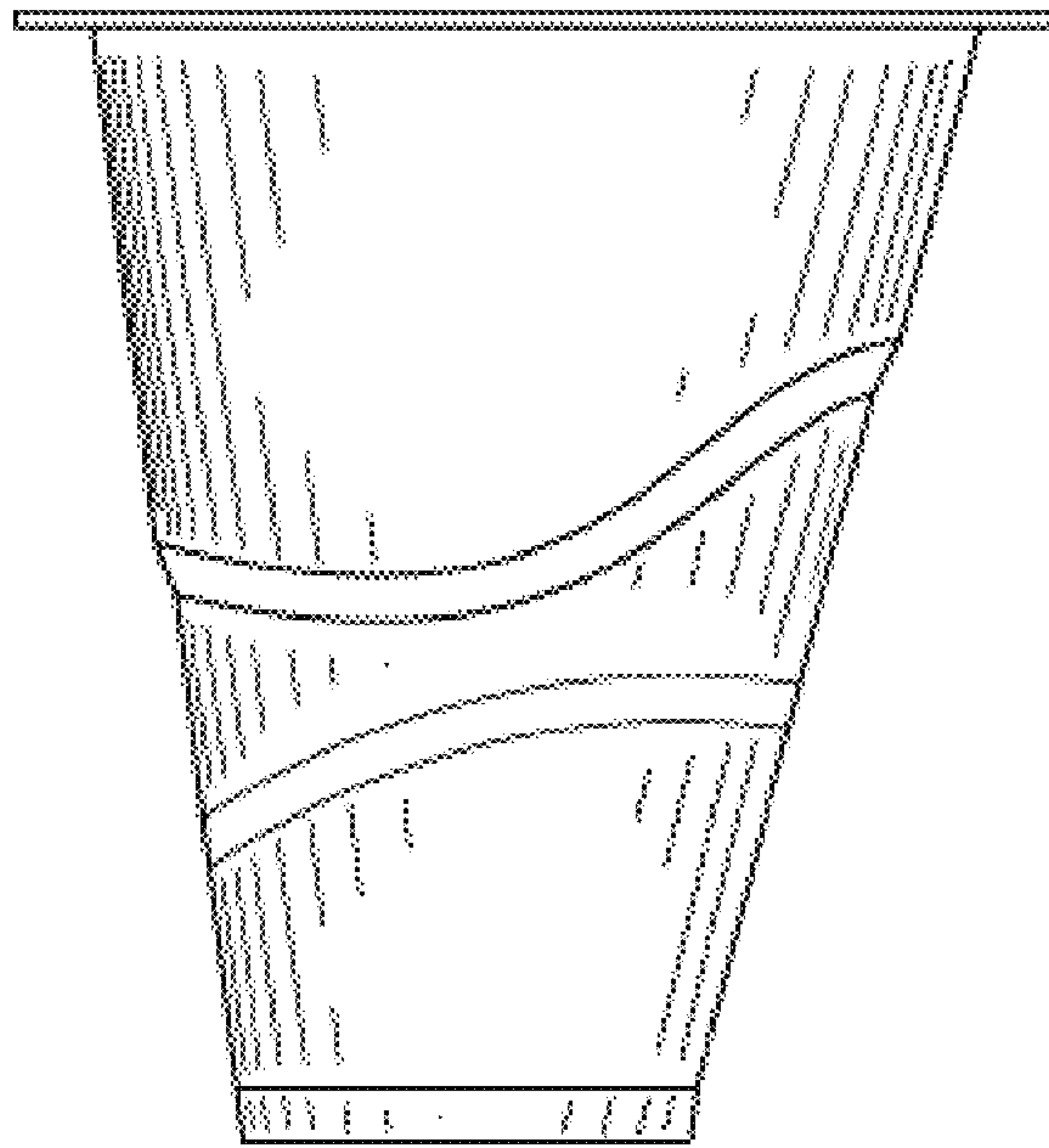


FIG. 5

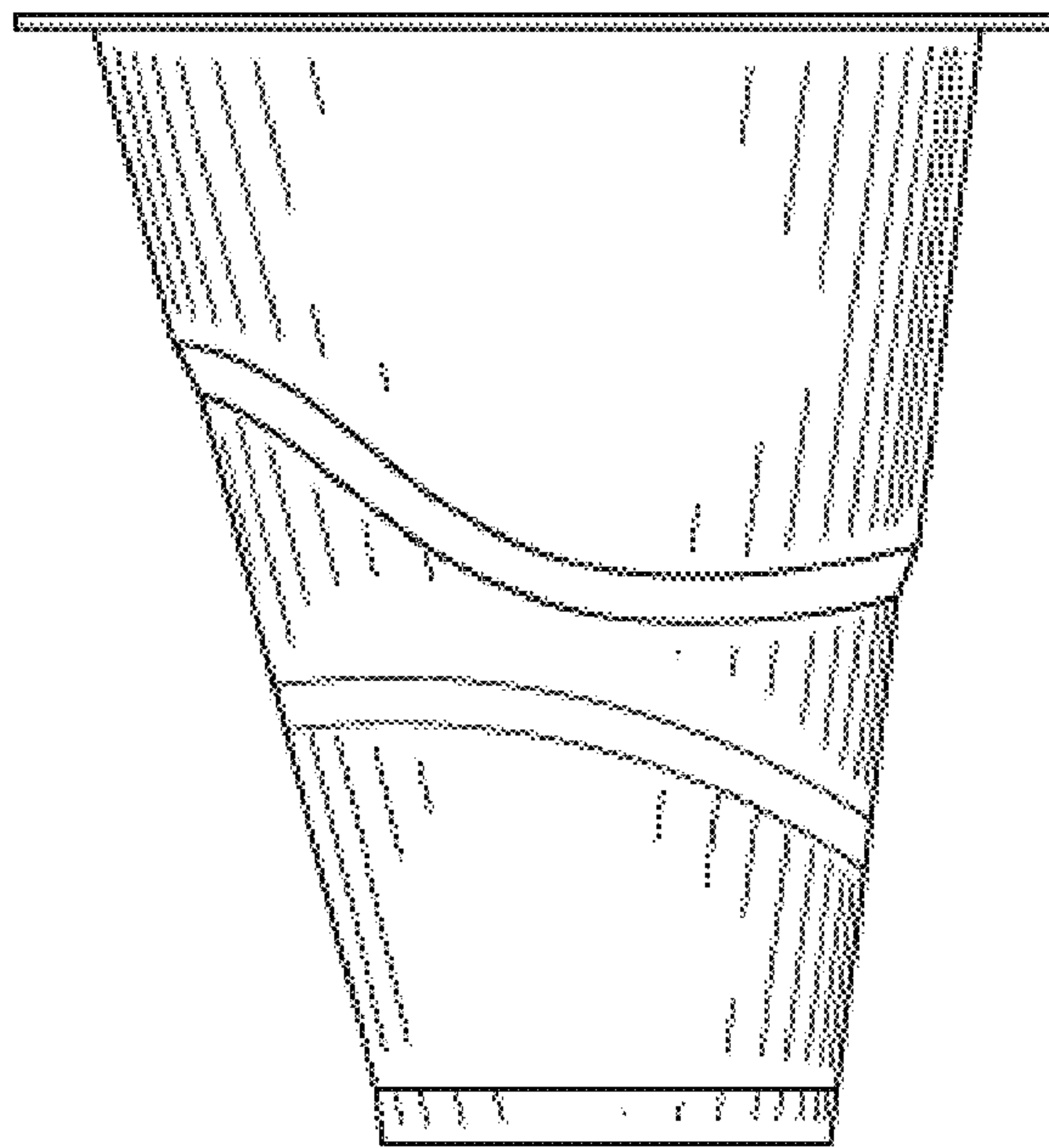


FIG. 6

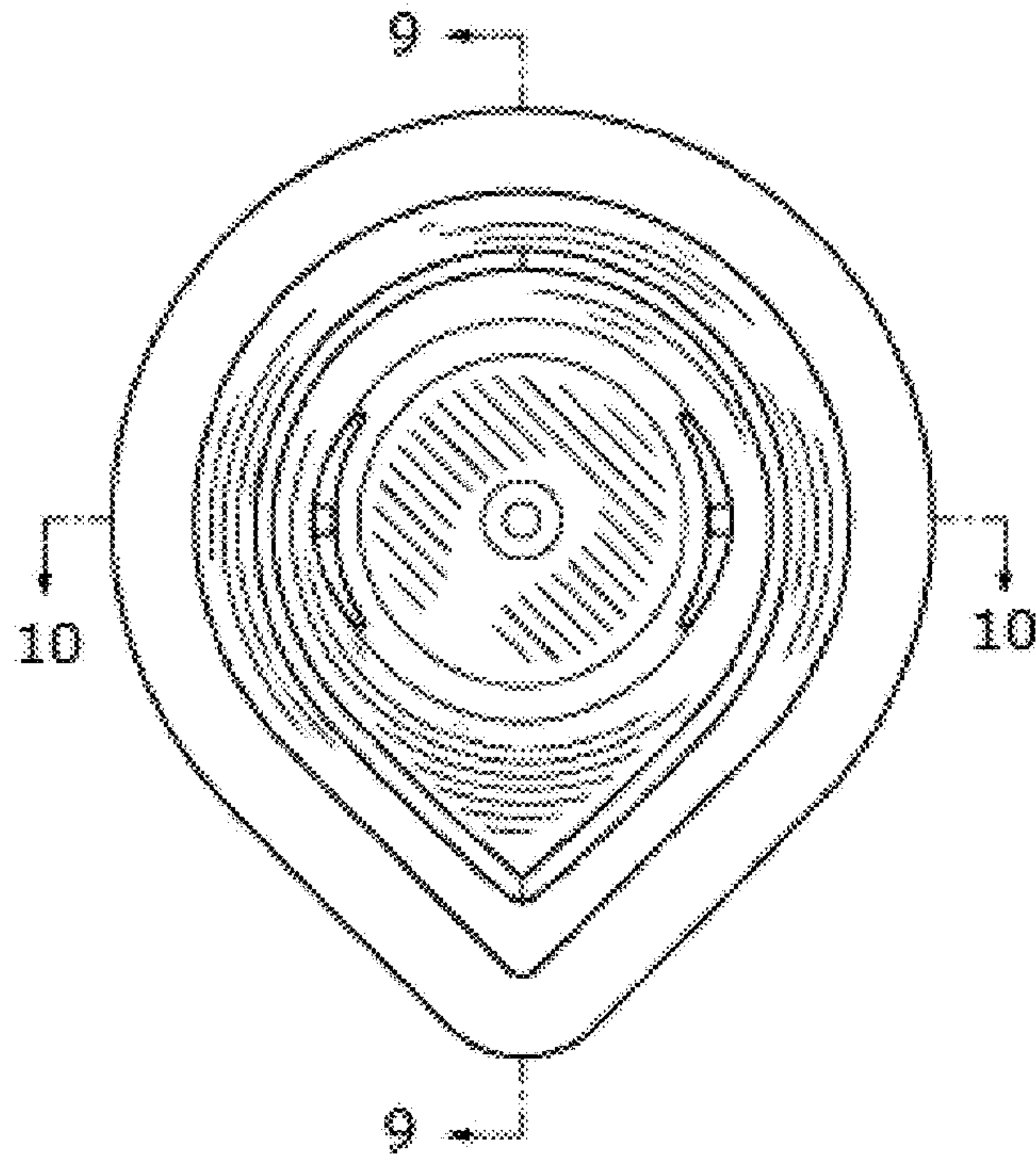


FIG. 7

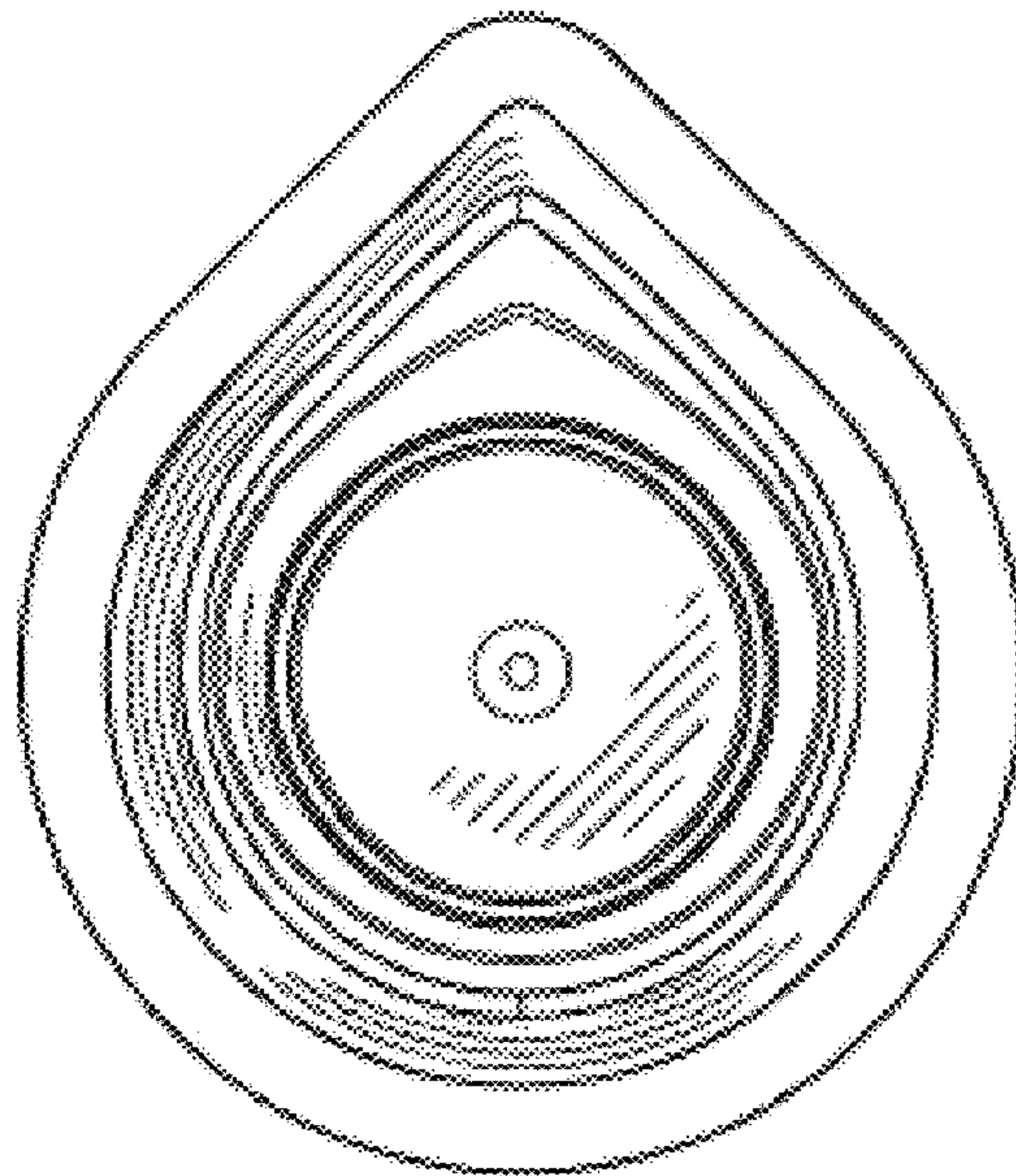


FIG. 8

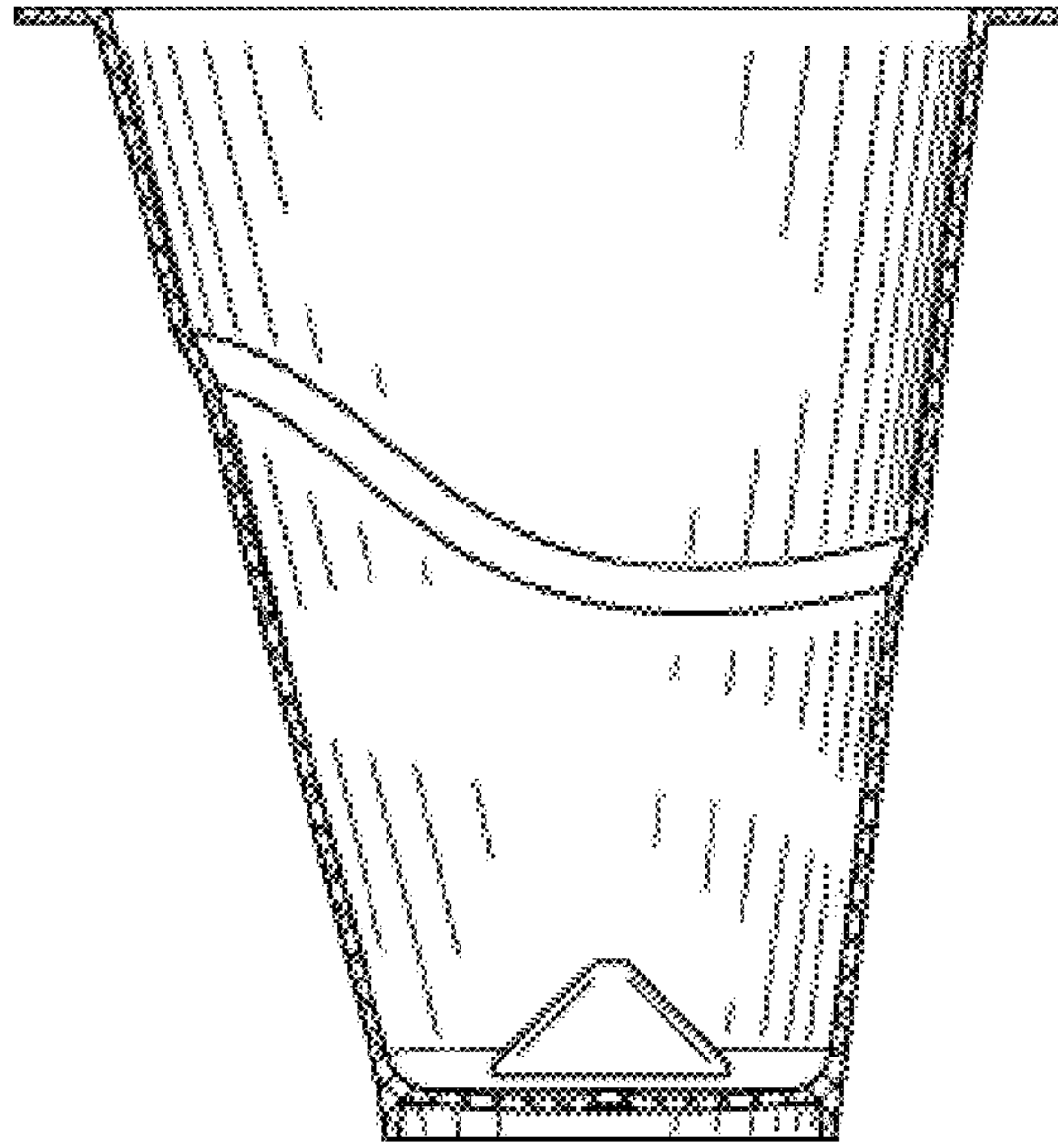


FIG. 9

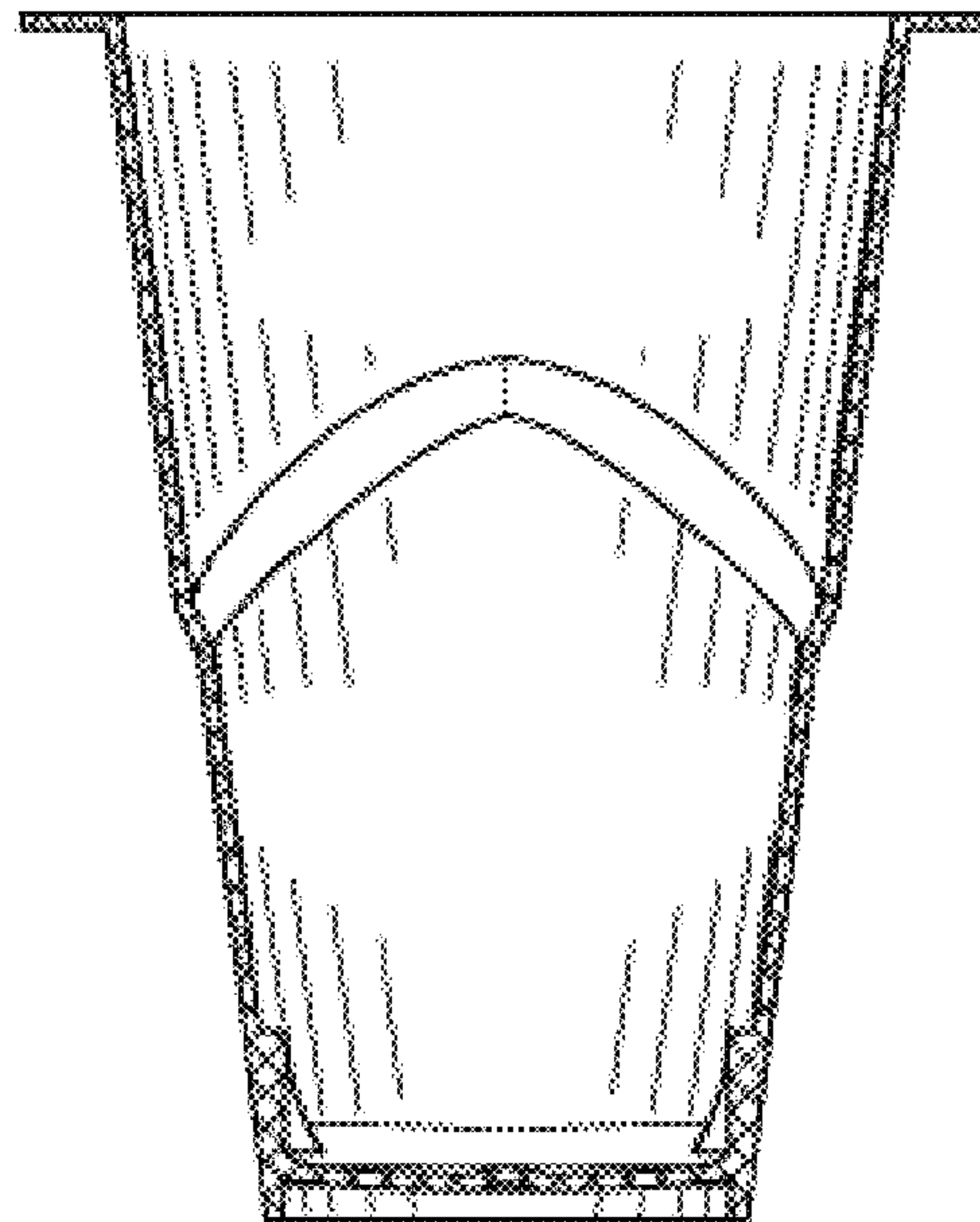


FIG. 10