



US00D824727S

(12) **United States Design Patent**
Gershkow

(10) **Patent No.:** **US D824,727 S**

(45) **Date of Patent:** **** Aug. 7, 2018**

(54) **GRILLING GRID**

- (71) Applicant: **Charcoal Companion Incorporated**,
Berkeley, CA (US)
- (72) Inventor: **Bennett Gershkow**, San Francisco, CA
(US)
- (73) Assignee: **Charcoal Companion Incorporated**,
Berkeley, CA (US)

(**) Term: **15 Years**

(21) Appl. No.: **29/611,792**

(22) Filed: **Jul. 25, 2017**

(51) **LOC (11) Cl.** **07-02**

(52) **U.S. Cl.**

USPC **D7/409**; D7/354; D7/359; D7/360

(58) **Field of Classification Search**

USPC D7/323, 332, 335-337, 354-355,
D7/359-364, 387-388, 402, 407-409,
D7/552.1, 554.3; D32/3

CPC A21B 2/00; A21B 3/00; A21B 3/13; A21B
3/15; A21B 5/00; A21B 5/02; A23N
12/06; A23N 12/08; A23N 12/10; A47J
37/00; A47J 37/04; A47J 37/041; A47J
37/042; A47J 37/06; A47J 37/0676; A47J
37/0688; A47J 37/0694; A47J 37/07;
A47J 37/0704; A47J 37/10; A47J 47/20;
A47J 2037/00; A47J 2037/06; A47J
2037/0611; A47J 2037/07; A47J
2037/0786; A47J 2037/0795; F24C 15/10;
F24C 15/12; F24C

(Continued)

(56) **References Cited**

U.S. PATENT DOCUMENTS

- 3,006,270 A * 10/1961 Graham A47J 37/0676
292/162
- D323,599 S * 2/1992 Griffard D7/408
- D608,146 S * 1/2010 Zemel D7/409

(Continued)

OTHER PUBLICATIONS

Weber Style 6435 Professional-Grade Grill Pan [online], site visited [Jul. 26, 2017]. Available from Internet URL: <https://www.amazon.com/Weber-Style-6435-Professional-Grade-Grill/>.

(Continued)

Primary Examiner — Ricky Pham

(74) *Attorney, Agent, or Firm* — Beeson Skinner Beverly, LLP

(57) **CLAIM**

The ornamental design for a grilling grid, as shown and described.

DESCRIPTION

FIG. 1 is a top perspective view of a grilling grid showing my new design;

FIG. 2 is a top plan view thereof;

FIG. 3 is a bottom plan view thereof;

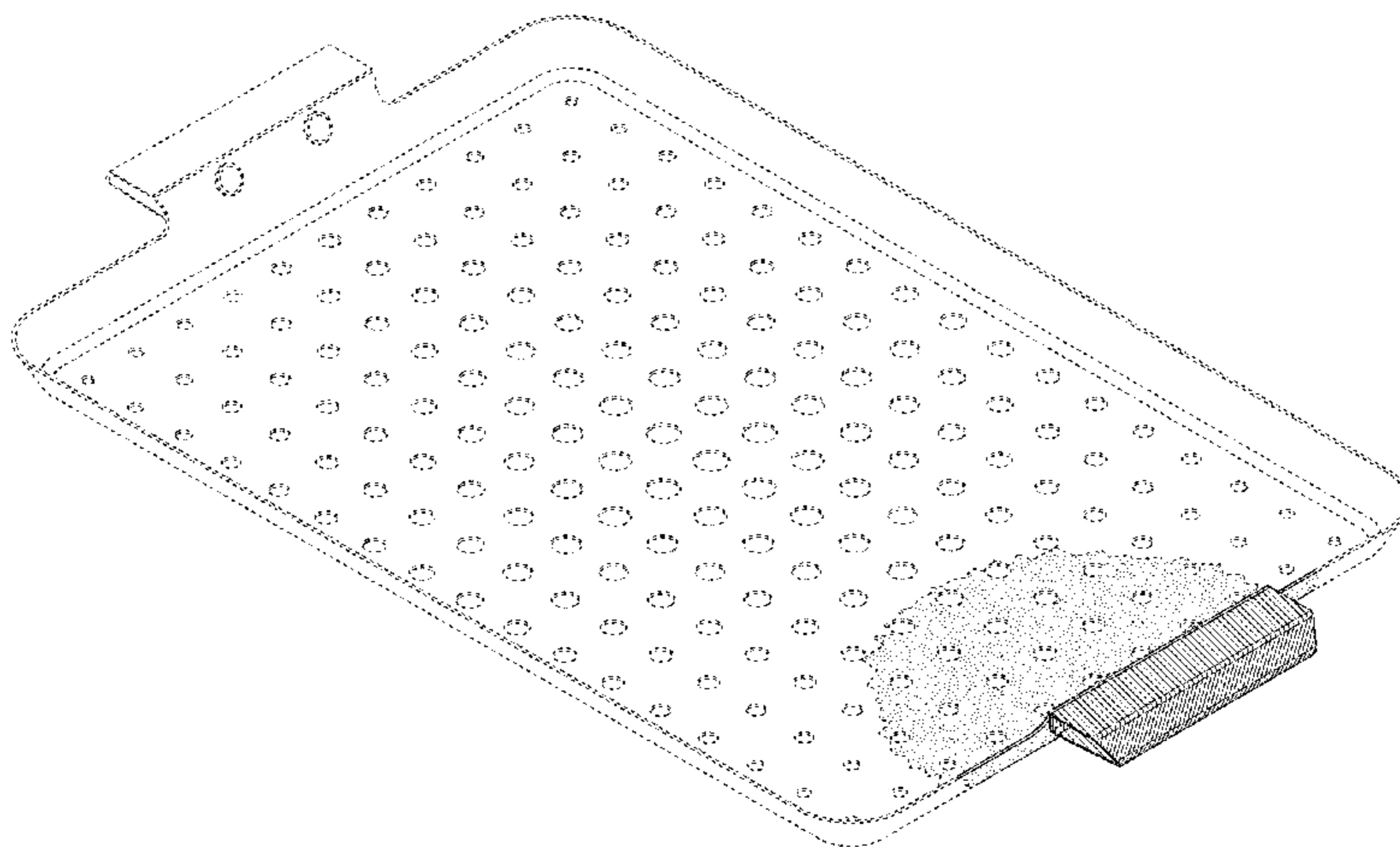
FIG. 4 is a front elevational view thereof; the rear elevational view being a mirror image of FIG. 4; and,

FIG. 5 is a left side elevational view thereof; the right side being a mirror image;

The broken lines in FIGS. 1 to 3 and 5 showing screws for fastening the handles of the grilling grid to the base of the grilling grid form no part of the claimed design. The broken lines in FIGS. 1 to 3 showing holes on the base of the grilling grid form no part of the claimed design. The broken lines showing portions of the grilling grid outside the broken line boundary in FIGS. 1 to 3 and FIG. 5 form no part of the claimed design.

The stippling and line surface shading in FIGS. 1 to 5 indicate contrasting colors, but no specific colors are claimed. The claimed portion of base of the grilling grid is stippled for a first color, for example black. The claimed handle of the grilling grid is line surface shaded for a second contrasting color, for example red, yellow, orange, blue, green or white.

1 Claim, 4 Drawing Sheets



(58) **Field of Classification Search**

CPC 15/14; F24C 15/16; F24C 15/164; F24C
15/18

See application file for complete search history.

(56) **References Cited**

U.S. PATENT DOCUMENTS

D635,825 S * 4/2011 Borovicka D7/409
D650,632 S * 12/2011 Zemel D7/354
D658,942 S * 5/2012 Borovicka D7/409
D662,781 S * 7/2012 Pallotto D7/552.1
D668,506 S * 10/2012 Zemel D7/409
D679,144 S * 4/2013 Holding D7/554.3
D689,741 S * 9/2013 Wang D7/554.3
D723,324 S * 3/2015 Feriola D7/354
D725,851 S * 3/2015 Lee D32/3
D774,349 S * 12/2016 Zemel D7/354

OTHER PUBLICATIONS

Outset QS71 Large Grill Grid with Handles, Stainless Steel [online],
site visited [Jul. 26, 2017]. Available from Internet URL: [https://
www.amazon.com/Outset-QS71-Large-Handles-Stainless](https://www.amazon.com/Outset-QS71-Large-Handles-Stainless).

Outset QN71 Large Grill Grid with Handles, Copper Non-Stick
[online], site visited [Jul. 26, 2017]. Available from Internet URL:
[https://www.amazon.com/Outset-QN71-Handles-Copper-Non-
Stick](https://www.amazon.com/Outset-QN71-Handles-Copper-Non-Stick).

* cited by examiner

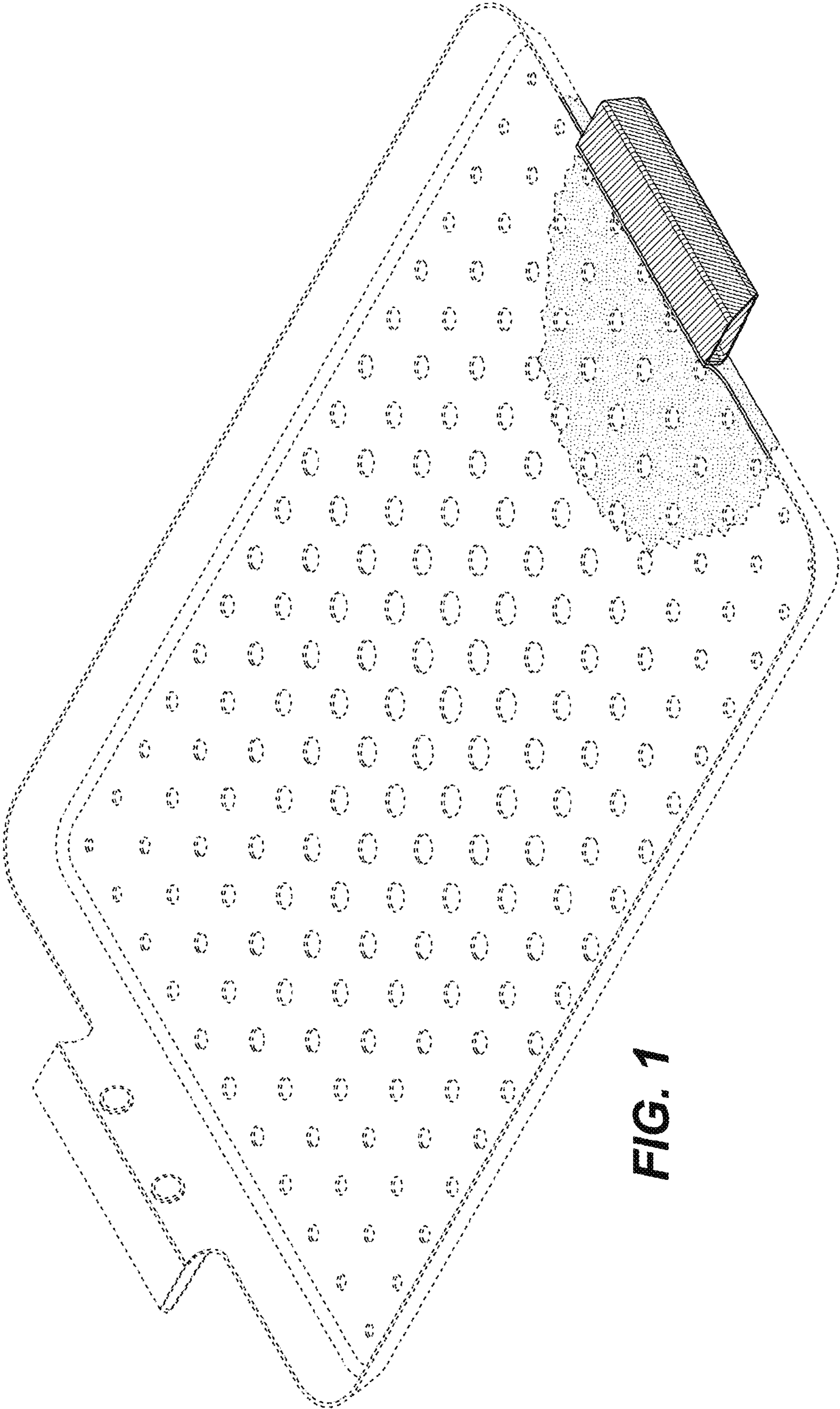


FIG. 1

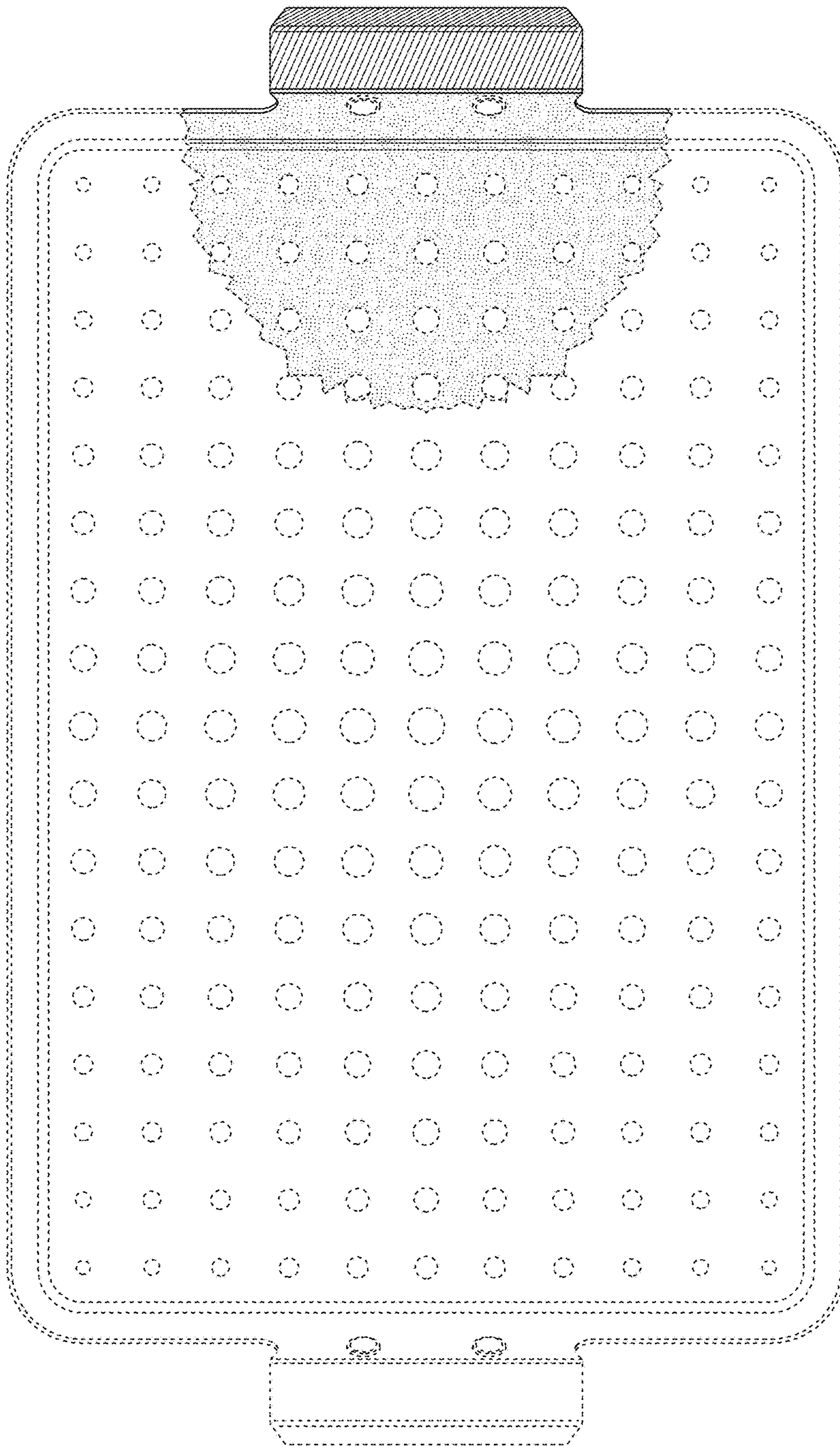


FIG. 2

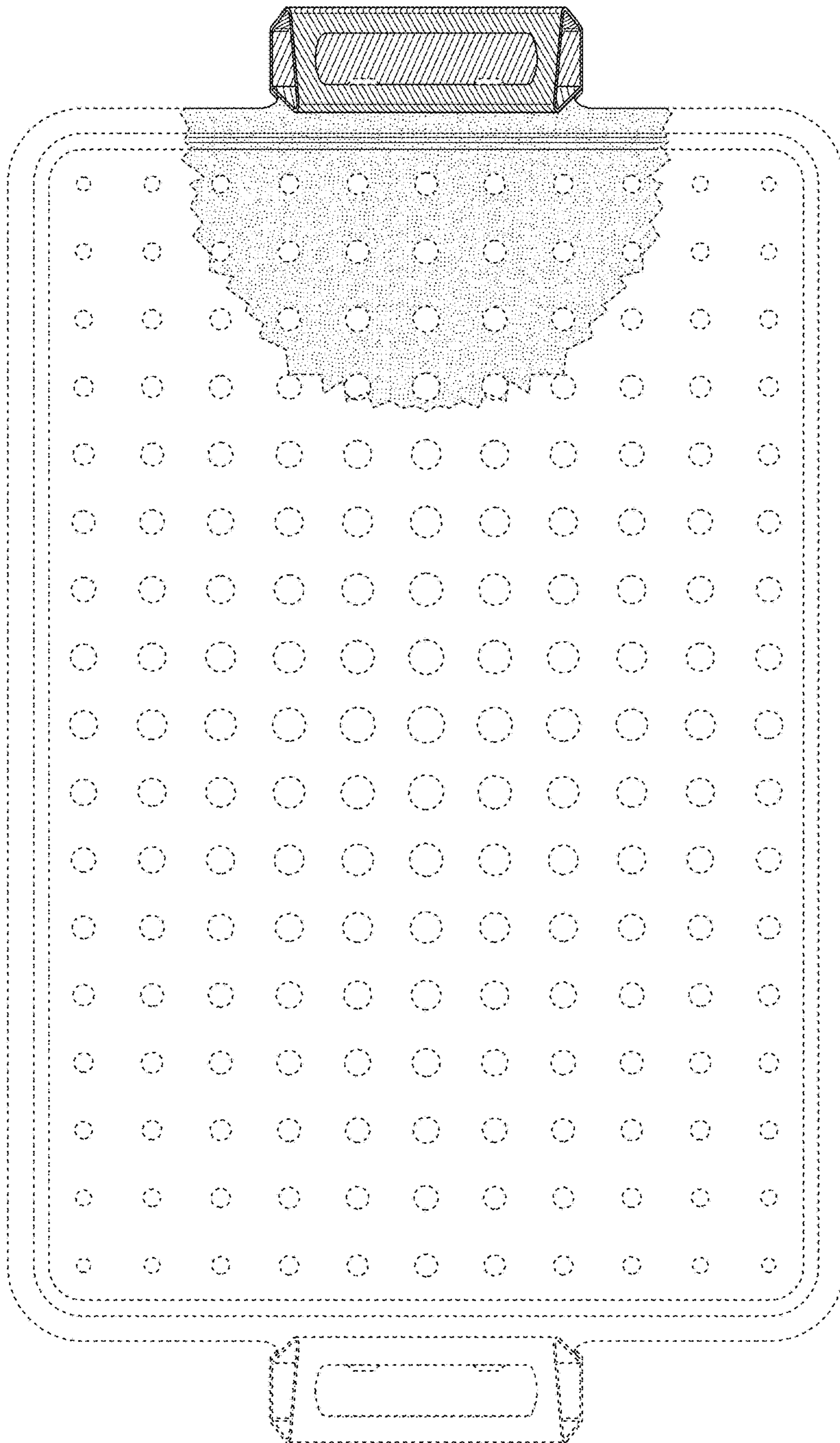


FIG. 3

