



US00D824723S

(12) **United States Design Patent** (10) **Patent No.:** **US D824,723 S**
Averty (45) **Date of Patent:** **** Aug. 7, 2018**

(54) **ELECTRIC KETTLE BASE**

(71) Applicant: **SEB**, Selongey (FR)

(72) Inventor: **Lionel Averty**, Dijon (FR)

(73) Assignee: **SEB**, Selongey (FR)

(**) Term: **15 Years**

(21) Appl. No.: **29/571,934**

(22) Filed: **Jul. 22, 2016**

(30) **Foreign Application Priority Data**

Jan. 22, 2016 (EM) 002955666-0001

(51) **LOC (11) Cl.** **07-99**

(52) **U.S. Cl.**
USPC **D7/396.6; D7/397; D7/412**

(58) **Field of Classification Search**
USPC D7/300, 309, 310, 312, 397, 399, 402,
D7/403, 412, 413, 415
CPC A47J 27/21141; A47J 27/21058; A47G
19/14
See application file for complete search history.

(56) **References Cited**

U.S. PATENT DOCUMENTS

D389,696 S * 1/1998 Feil D7/386
D569,988 S * 5/2008 Koop D24/220
D628,426 S * 12/2010 Hoare D7/317
D731,226 S * 6/2015 Sun D7/316
2014/0295678 A1 * 10/2014 Garvey A47J 27/2105
439/11

OTHER PUBLICATIONS

Electric Kettle Base | posted at Amazon.com, posted on Sep. 1,
2016, © 1996-2017 Amazon.com [site visited Dec. 4, 2017] <URL:

https://www.amazon.com/KRUPS-Adjustable-Temperature-Electronic-Stainless/dp/B01FYIAF91/ref=sr_1_151?ie=UTF8&qid=1512405790&sr=8-151&keywords=kettle+base (Year: 2016).*

* cited by examiner

Primary Examiner — Daniel D Bui

Assistant Examiner — Andrew Kerr

(74) *Attorney, Agent, or Firm* — Loeb & Loeb LLP

(57) **CLAIM**

The ornamental design for an electric kettle base, as shown and described.

DESCRIPTION

FIG. 1 is a perspective view an electric kettle base showing my new design;

FIG. 2 is a front elevational view of the electric kettle base of FIG. 1;

FIG. 3 is a rear elevational view of the electric kettle base of FIG. 1;

FIG. 4 is a right side elevational view of the electric kettle base of FIG. 1;

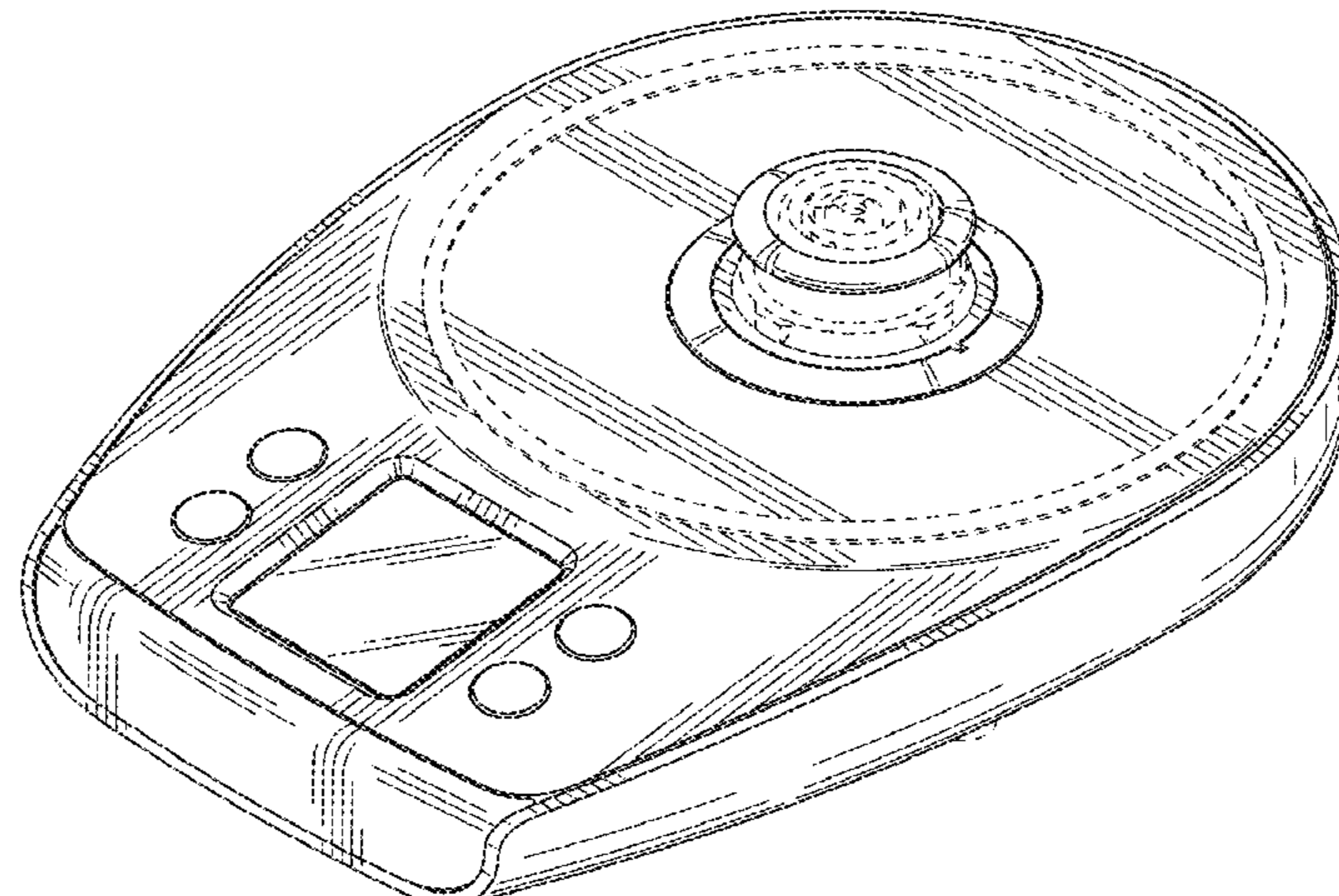
FIG. 5 is a left side elevational view of the electric kettle base of FIG. 1;

FIG. 6 is a top plan view of the electric kettle base of FIG. 1; and,

FIG. 7 is a bottom plan view of the electric kettle base of FIG. 1.

The broken lines in the drawing views represent unclaimed portions of an electric kettle base which are included for the purpose of illustrating unclaimed environment only, and forms no part of the claimed design.

1 Claim, 7 Drawing Sheets



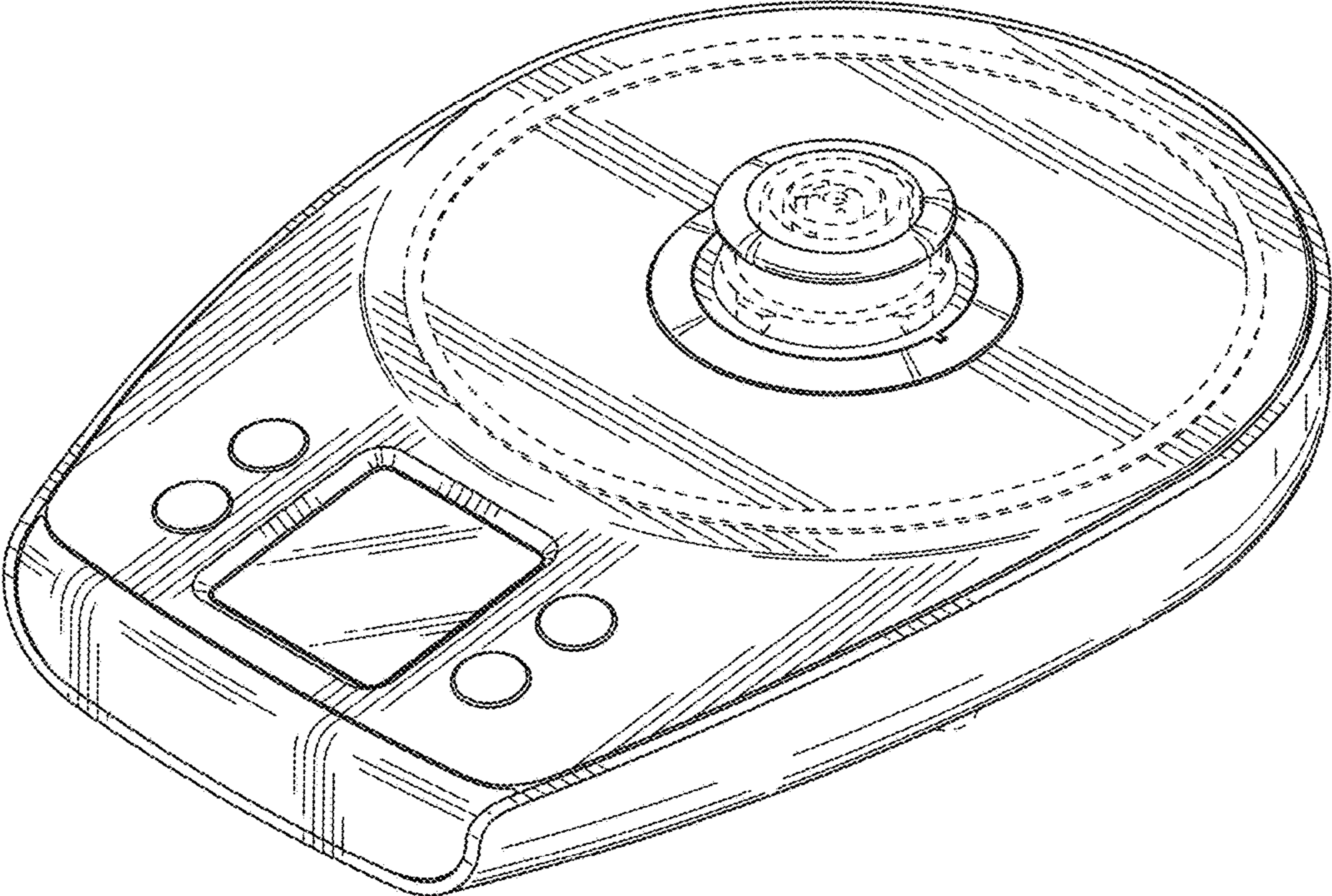


FIG. 1

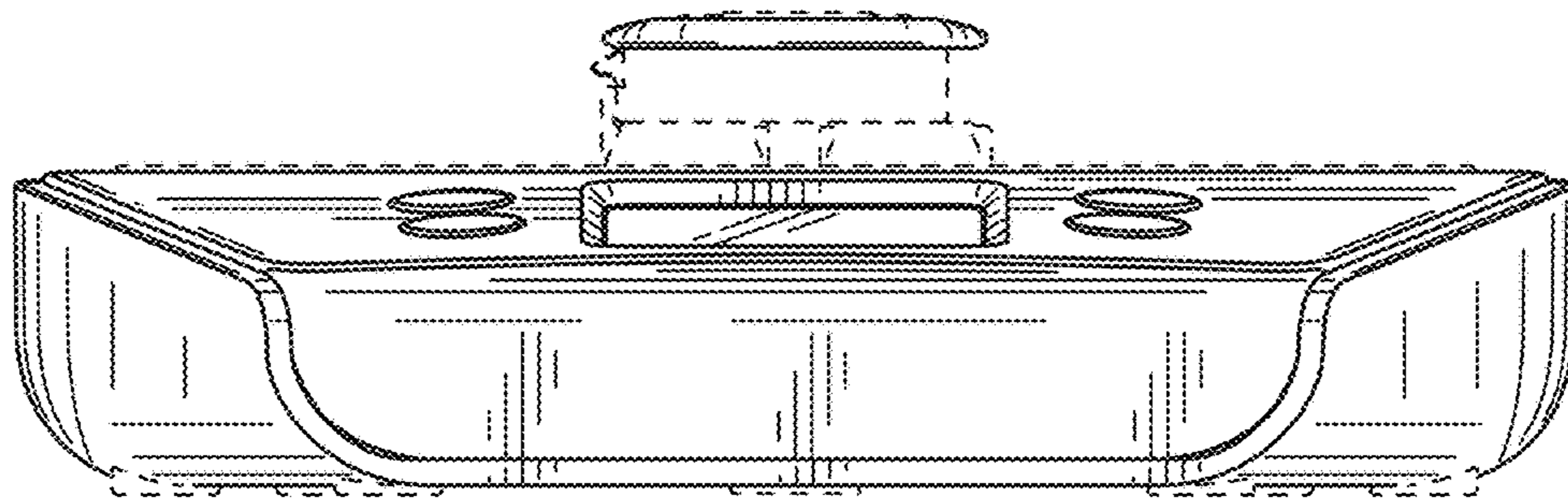


FIG. 2

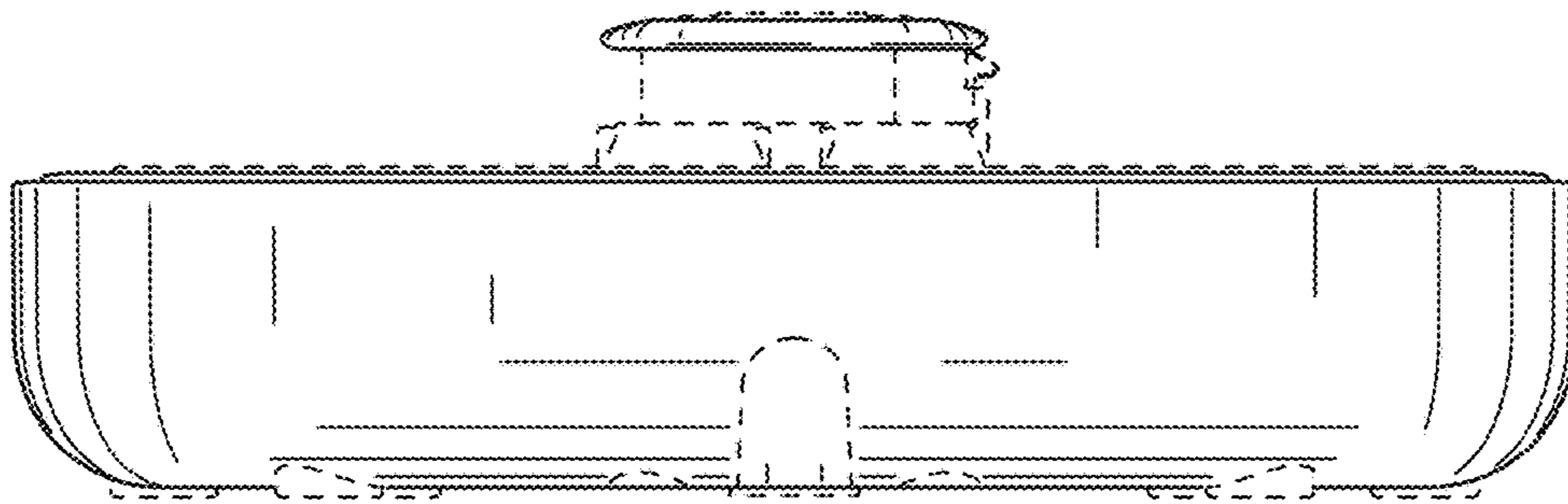


FIG. 3

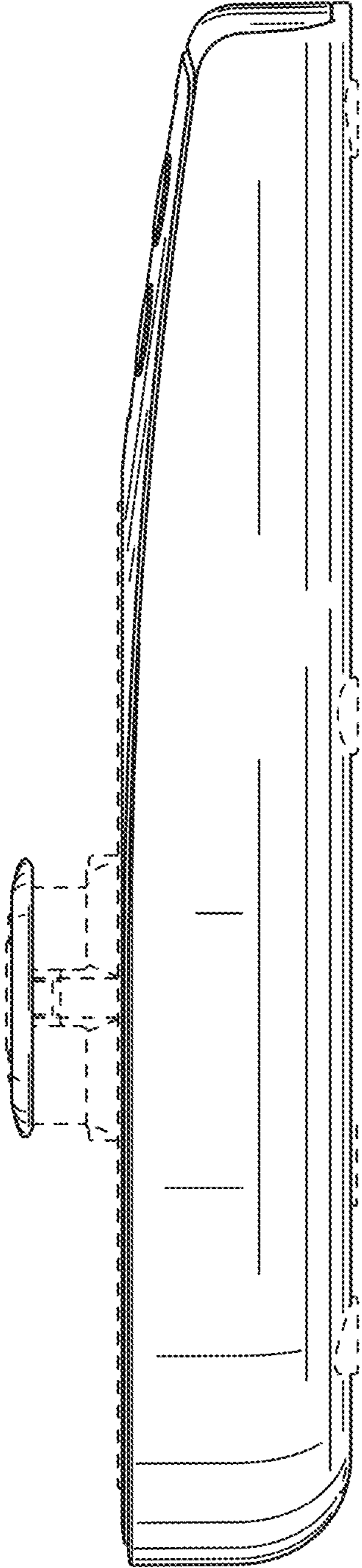


FIG. 4

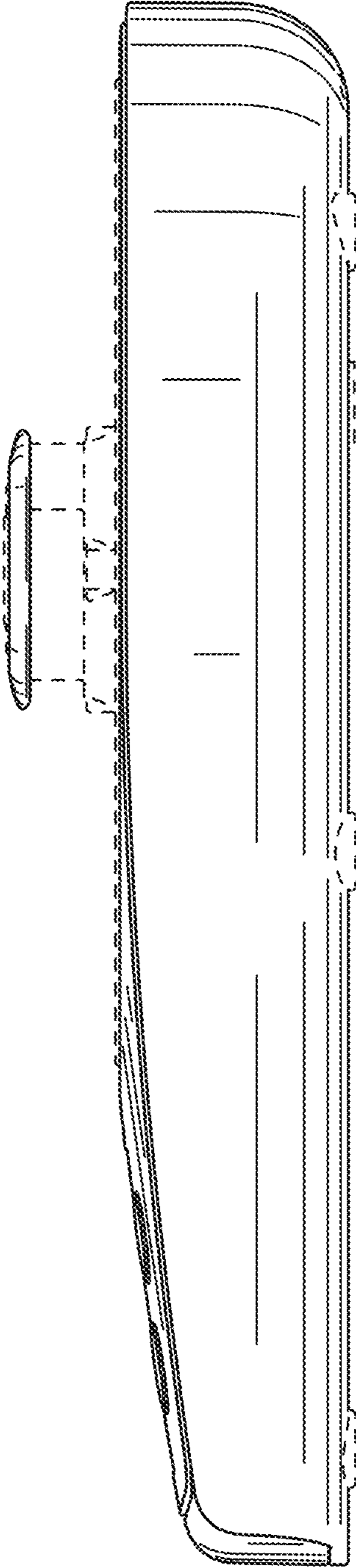


FIG. 5

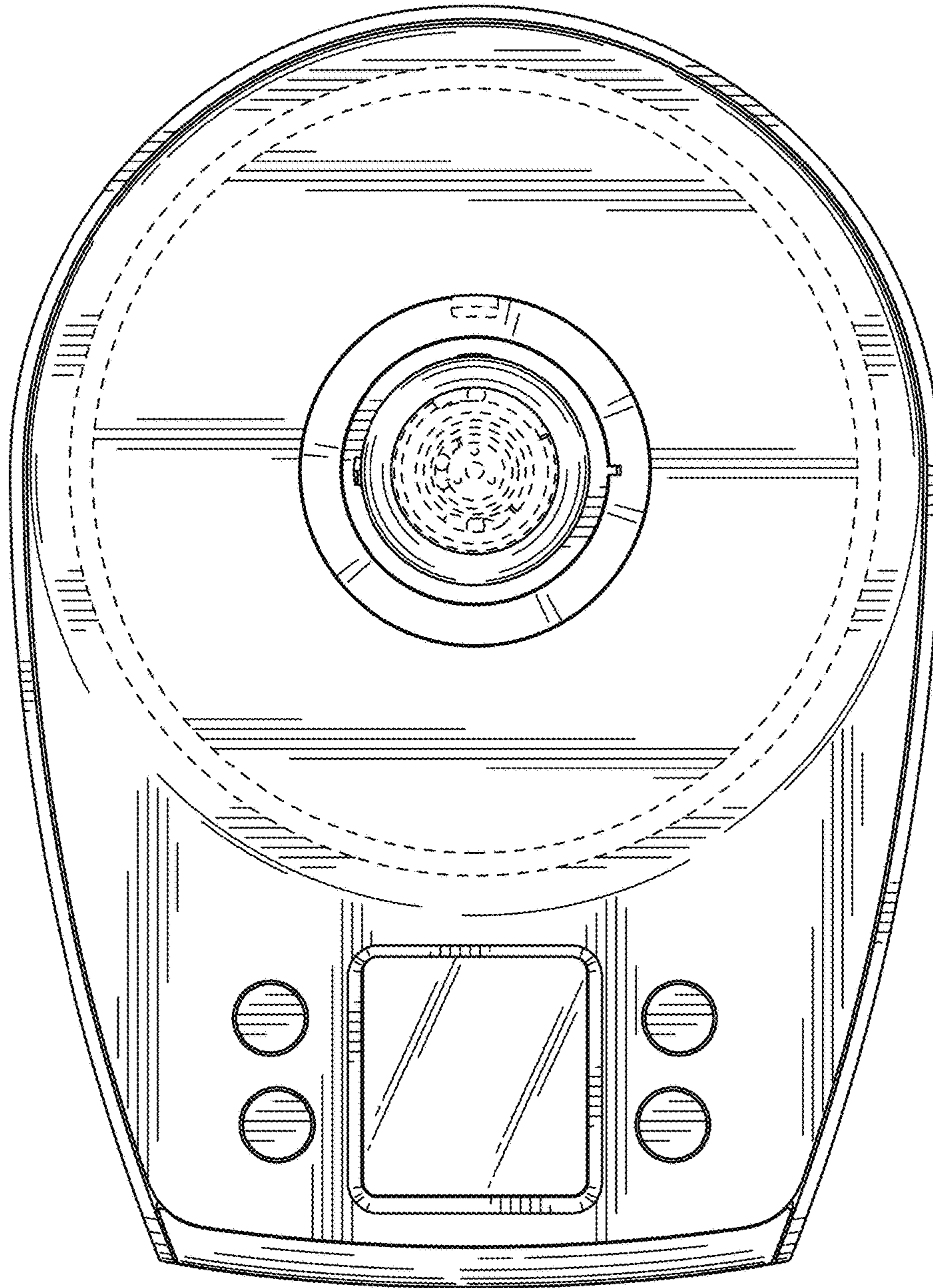


FIG. 6

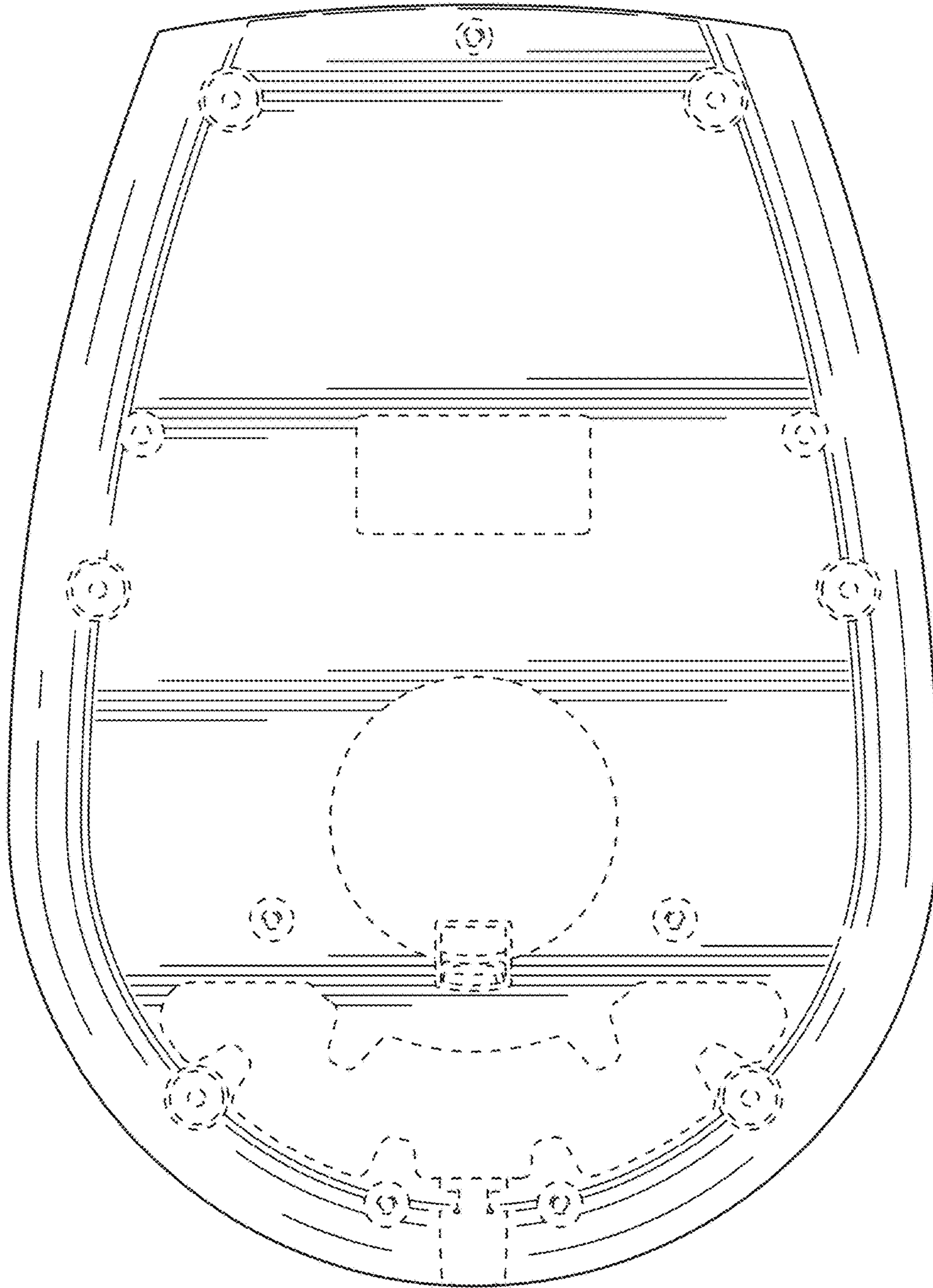


FIG. 7