



US00D824722S

(12) **United States Design Patent** (10) **Patent No.:** **US D824,722 S**  
**Marina et al.** (45) **Date of Patent:** **\*\* Aug. 7, 2018**

(54) **BOTTLE**

(71) Applicant: **PepsiCo, Inc.**, Purchase, NY (US)  
(72) Inventors: **Carlos Hernan Marina**, Deerfield Beach, FL (US); **Tucker Hamilton Fort**, Brooklyn, NY (US); **Morris Elijah Worden, IV**, New York, NY (US); **Joey Miguel Zeledon**, Brooklyn, NY (US)

(73) Assignee: **PepsiCo, Inc.**, Purchase, NY (US)

(\*\*) Term: **15 Years**

(21) Appl. No.: **29/565,007**

(22) Filed: **May 17, 2016**

**Related U.S. Application Data**

(63) Continuation of application No. 29/500,925, filed on Aug. 29, 2014, now Pat. No. Des. 764,232, and a continuation-in-part of application No. 29/500,934, filed on Aug. 29, 2014, now Pat. No. Des. 760,540, and a continuation of application No. 29/500,942, filed on Aug. 29, 2014, now Pat. No. Des. 768,484.

(51) **LOC (11) Cl.** ..... **07-99**

(52) **U.S. Cl.**  
USPC ..... **D7/396.2**; D9/516; D9/531

(58) **Field of Classification Search**  
USPC ..... D9/516, 517, 527, 528, 530-543, 544, D9/545, 549, 571, 575, 444, 446, 715, D9/719, 737, 738, 739; D7/300, 300.1, D7/302, 318, 320, 396.2, 598, 600, 600.4, D7/622, 624.1-624.3, 507-513, 536, 629; D3/202; 215/305, 306, 384, 396; 220/375, 710.5  
CPC .... B65D 23/10; B65D 23/104; B65D 23/106; B65D 23/108; B65D 51/242

See application file for complete search history.

(56) **References Cited**

U.S. PATENT DOCUMENTS

D28,746 S	5/1898	Blount
D30,094 S	1/1899	Busch
D85,279 S	10/1931	Brooke
2,073,636 A	3/1937	Holoubek
D105,671 S	8/1937	Noble
2,930,408 A	3/1960	Stevens
2,981,431 A	4/1961	Schluttig
3,369,691 A	2/1968	Wei
D217,899 S	6/1970	Lawton

(Continued)

FOREIGN PATENT DOCUMENTS

JP	1252631 S	8/2005
JP	1502442 S	6/2014
WO	WO 2013103589 A1	7/2013

*Primary Examiner* — Ian Simmons

*Assistant Examiner* — Keith Frank

(74) *Attorney, Agent, or Firm* — Sterne, Kessler, Goldstein & Fox P.L.L.C.

(57) **CLAIM**

The ornamental design for a bottle, as shown and described.

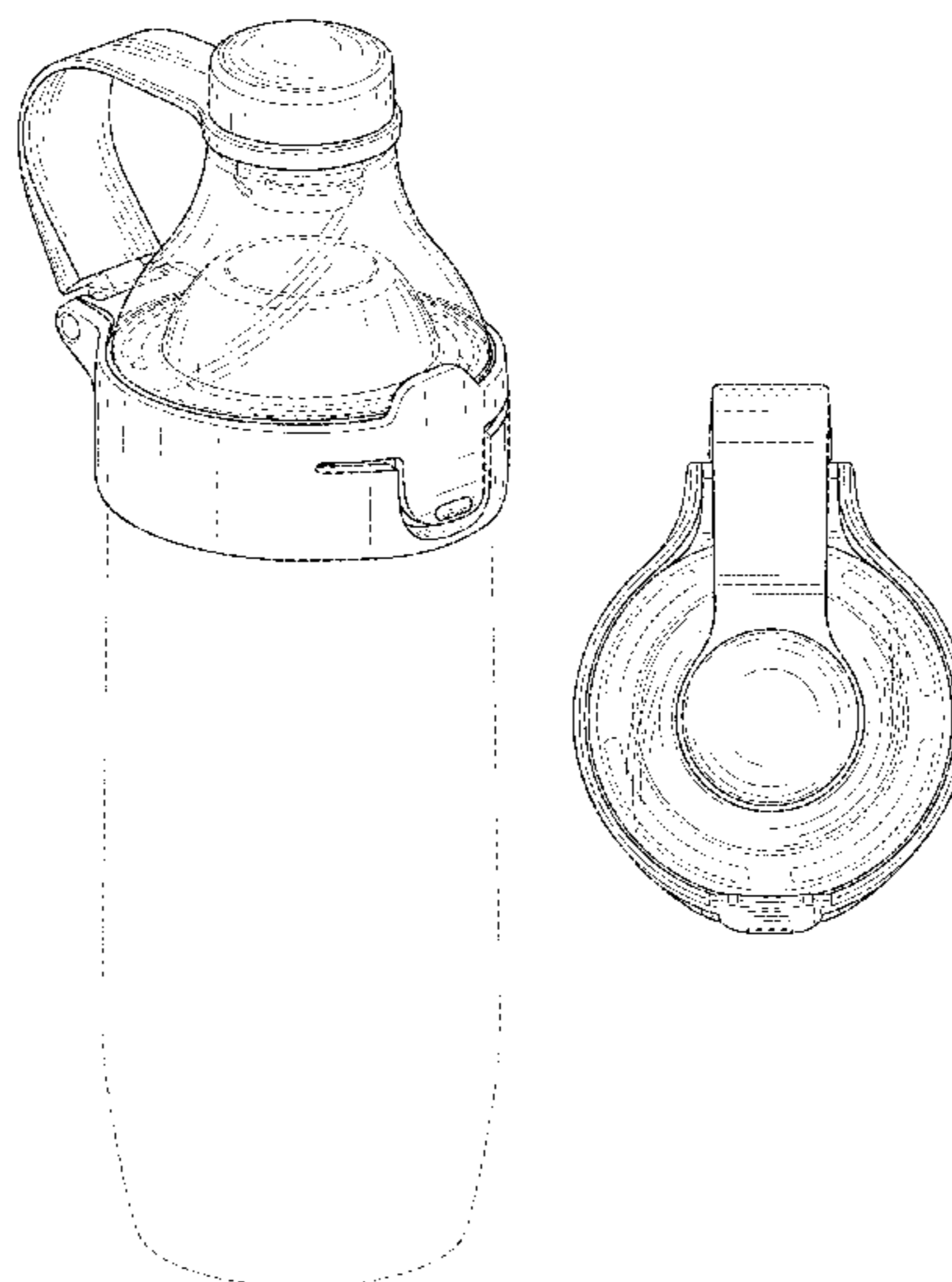
**DESCRIPTION**

FIG. 1 is a top front perspective view of a bottle showing the claimed design;  
FIG. 2 is a top rear perspective view thereof;  
FIG. 3 is a front view thereof;  
FIG. 4 is a rear view thereof;  
FIG. 5 is a right side view thereof;  
FIG. 6 is a left side view thereof; and,  
FIG. 7 is a top view thereof.

The broken lines in the figures show portions of the bottle that form no part of the claimed design.

The oblique shade lines in the figures show transparency or translucency.

**1 Claim, 7 Drawing Sheets**



(56)

References Cited

U.S. PATENT DOCUMENTS

D232,915 S	9/1974	Becker		D657,665 S	4/2012	Rivera et al.	
D235,193 S	5/1975	Edwards		D661,549 S	6/2012	Kemper et al.	
4,346,495 A	8/1982	Lin		D661,551 S	6/2012	Gilbert	
D278,033 S	3/1985	Borkan et al.		D668,150 S	10/2012	Crapser et al.	
D289,259 S	4/1987	Strand		D671,410 S	11/2012	Asakawa	
D298,592 S	11/1988	Stoop		D675,102 S	1/2013	Crowe	
D313,176 S	12/1990	Okuda et al.		D676,717 S	2/2013	Ceder	
D316,035 S	4/1991	Pepitone		8,365,913 B2	2/2013	Ceder	
D350,460 S	9/1994	Picozza et al.		8,365,941 B2	2/2013	Mayer	
5,385,326 A	1/1995	Bidwell		D684,065 S	6/2013	Wiseman	
5,573,152 A	11/1996	Arnold		D688,531 S	8/2013	Ceder	
5,590,542 A *	1/1997	Wang .....	A47G 19/2266 220/705	D689,375 S	9/2013	Garner	
				8,544,676 B2	10/2013	Roth et al.	
5,626,250 A	5/1997	Dorazio		8,579,149 B2	11/2013	Henke et al.	
5,671,586 A	9/1997	Weder		8,584,879 B2	11/2013	Melrose et al.	
5,711,445 A	1/1998	Robbins, III		D697,431 S	1/2014	Baker et al.	
D392,032 S	3/1998	Zaragoza et al.		D699,578 S	2/2014	Marina et al.	
D407,946 S	4/1999	Brewer et al.		D701,767 S	4/2014	Marina et al.	
D410,364 S	6/1999	Ramirez et al.		D702,492 S	4/2014	Marina et al.	
D414,238 S	9/1999	Kupperman		D703,000 S	4/2014	Marina et al.	
D420,850 S	2/2000	Endres		D703,487 S	4/2014	Marina et al.	
6,105,799 A	8/2000	Takagawa		8,752,720 B1	6/2014	Habig et al.	
6,142,366 A	11/2000	Sagel		D709,387 S	7/2014	Marina et al.	
6,405,675 B1	6/2002	Mills		8,777,039 B2 *	7/2014	Roth .....	B65D 45/025 220/254.3
6,409,035 B1	6/2002	Oarr et al.		RE45,055 E *	8/2014	Roth .....	D7/392.1
6,460,759 B1	10/2002	Lowry et al.		D710,703 S	8/2014	Marina et al.	
D470,050 S	2/2003	Renz et al.		D712,268 S	9/2014	Marina et al.	
D474,978 S	5/2003	Varlet		8,899,644 B2	12/2014	Hancey	
D481,937 S	11/2003	McRae		8,926,840 B2	1/2015	Hull et al.	
D512,874 S *	12/2005	Poulson .....	D7/510	D727,171 S	4/2015	Marina et al.	
D516,915 S	3/2006	Gaines		D730,111 S	5/2015	Beller	
D519,396 S	4/2006	Migliorati		D730,729 S	6/2015	George	
D528,862 S	9/2006	Li		D730,734 S	6/2015	Rapparini	
D529,338 S	10/2006	Poulson		D741,176 S *	10/2015	Bell .....	D9/446
D532,305 S	11/2006	Fellows et al.		D741,656 S *	10/2015	Tello .....	B42D 25/22 D7/510
D536,582 S	2/2007	Roth et al.		D747,936 S *	1/2016	Chitayat .....	D7/510
D537,676 S	3/2007	Kingsley		D750,487 S	3/2016	Marina et al.	
D539,136 S	3/2007	Limber		D763,622 S *	8/2016	Shirley .....	D7/511
D565,353 S	4/2008	Roth et al.		D767,390 S *	9/2016	Miksovsky .....	D7/392.1
D567,021 S	4/2008	Bach et al.		D773,896 S *	12/2016	Dai .....	D7/507
D569,685 S	5/2008	Liu		9,516,974 B2 *	12/2016	Herling .....	A47J 31/18
D572,077 S	7/2008	Duke		9,549,633 B2 *	1/2017	Ng .....	A47J 43/27
D581,278 S	11/2008	Shibata et al.		D780,613 S *	3/2017	Shaukat .....	D11/2
D588,870 S	3/2009	Rasmussen		2002/0027142 A1	3/2002	Klein	
D594,088 S *	6/2009	Pritchard .....	D23/207	2004/0124192 A1	7/2004	Teller	
D594,332 S	6/2009	Nerubay		2006/0124579 A1	6/2006	Nielson	
D596,458 S *	7/2009	McKinney .....	D7/510	2007/0084821 A1	4/2007	Bysick et al.	
D600,973 S	9/2009	Lane		2007/0199914 A1	8/2007	Hung	
D610,009 S	2/2010	Prufer		2008/0061025 A1	3/2008	Egnatski	
D611,765 S *	3/2010	George .....	D7/510	2008/0087624 A1	4/2008	Buckley	
D622,835 S	8/2010	Mendheim		2008/0264896 A1	10/2008	Eveleth	
D625,183 S	10/2010	Bartsch et al.		2009/0236341 A1 *	9/2009	McKinney .....	A47G 19/2266 220/375
D625,561 S *	10/2010	Ablo .....	D7/511	2010/0055252 A1	3/2010	Marina et al.	
D626,415 S	11/2010	Kolano		2011/0166910 A1	7/2011	Marina et al.	
D629,693 S	12/2010	Rica		2012/0183657 A1	7/2012	Marina et al.	
D644,489 S *	9/2011	Trombly .....	D7/510	2013/0103589 A1	4/2013	Cragun et al.	
D647,364 S	10/2011	Audette et al.		2014/0130454 A1	5/2014	Kommer	
D650,677 S	12/2011	Wurster et al.					

\* cited by examiner



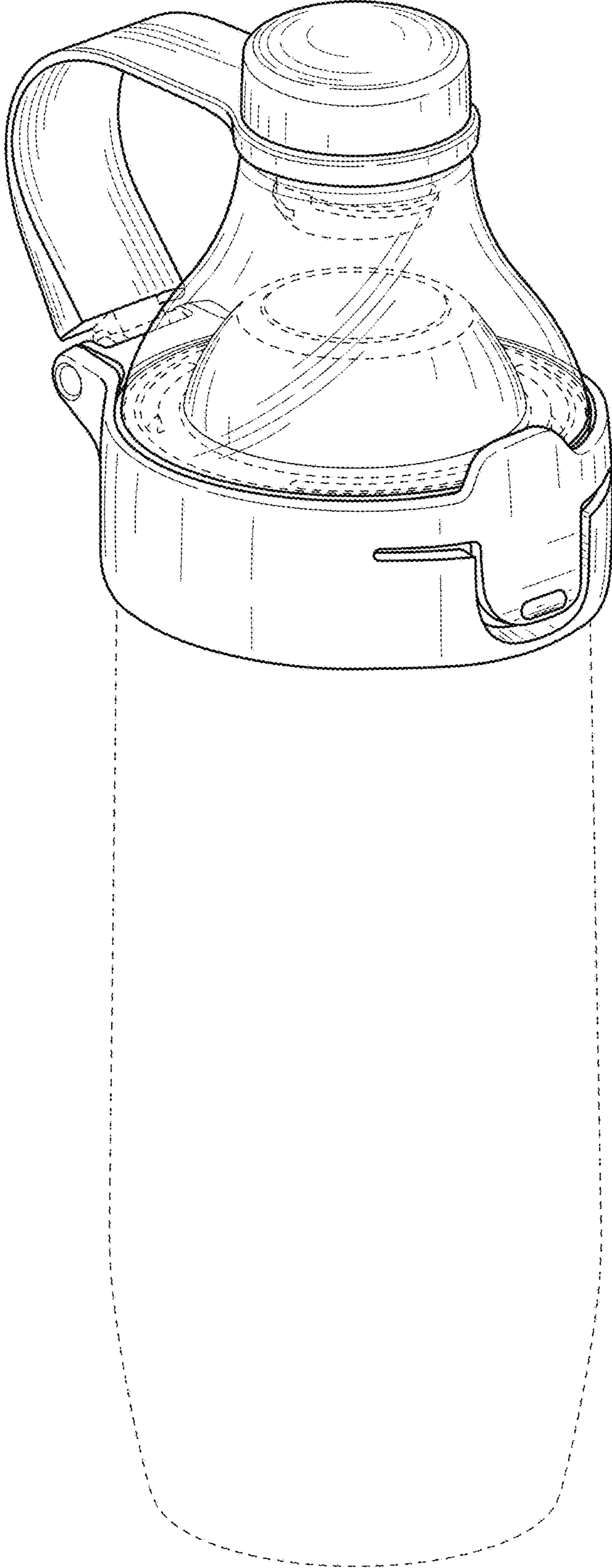


FIG. 1

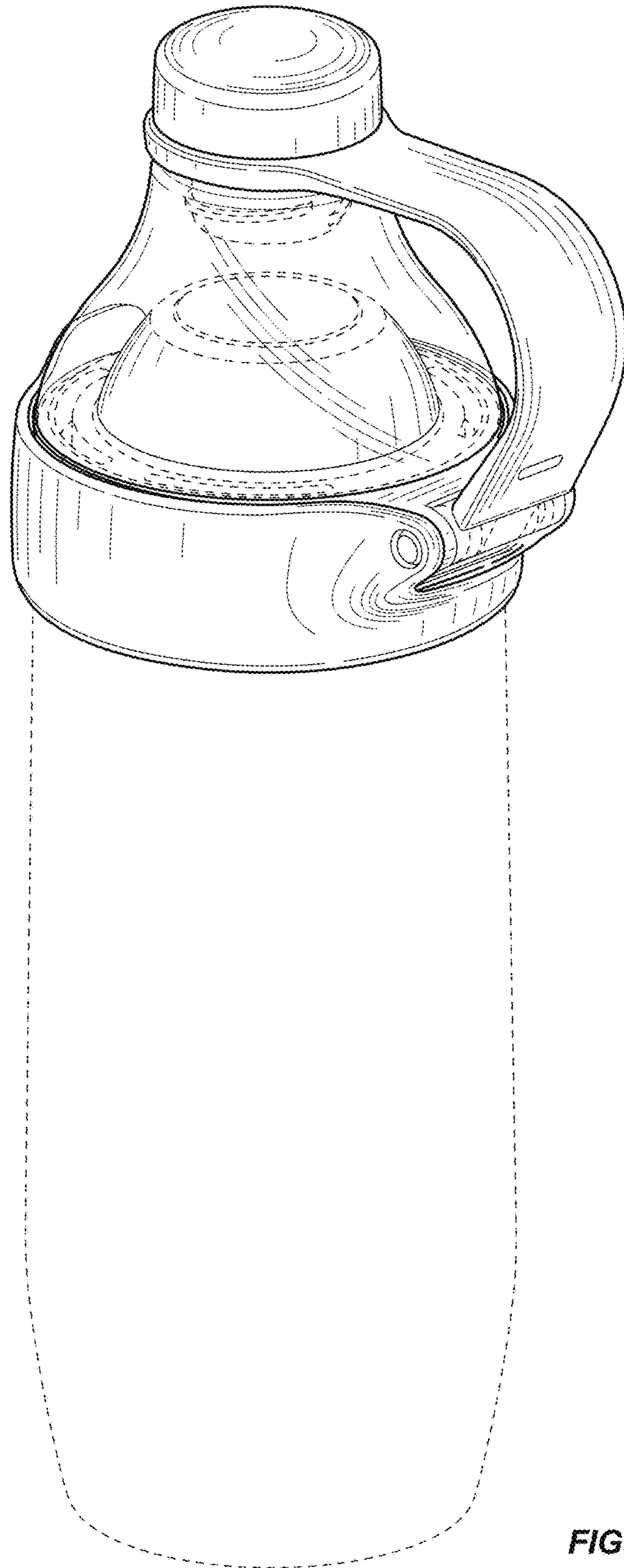


FIG. 2

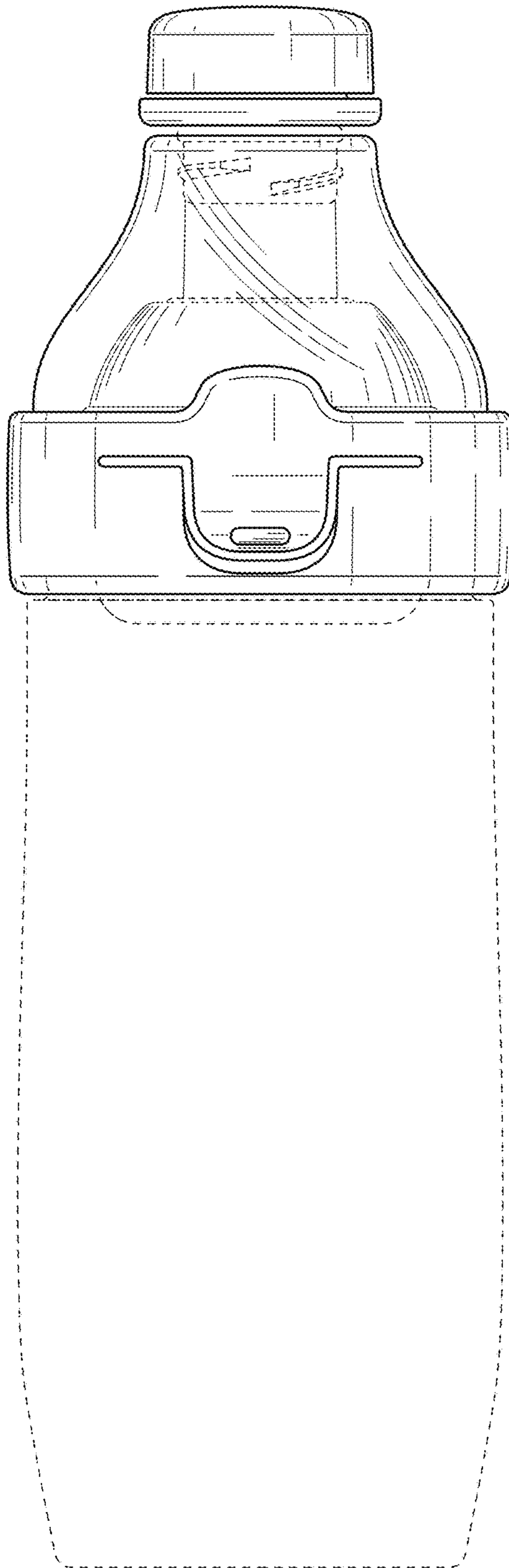


FIG. 3

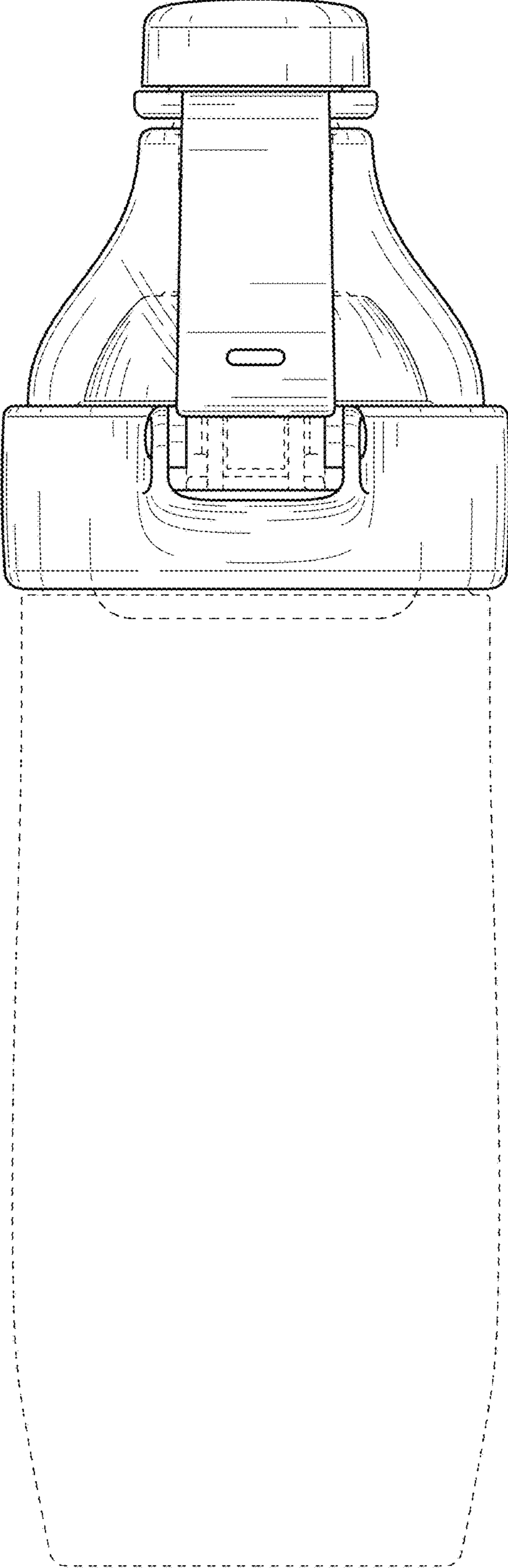
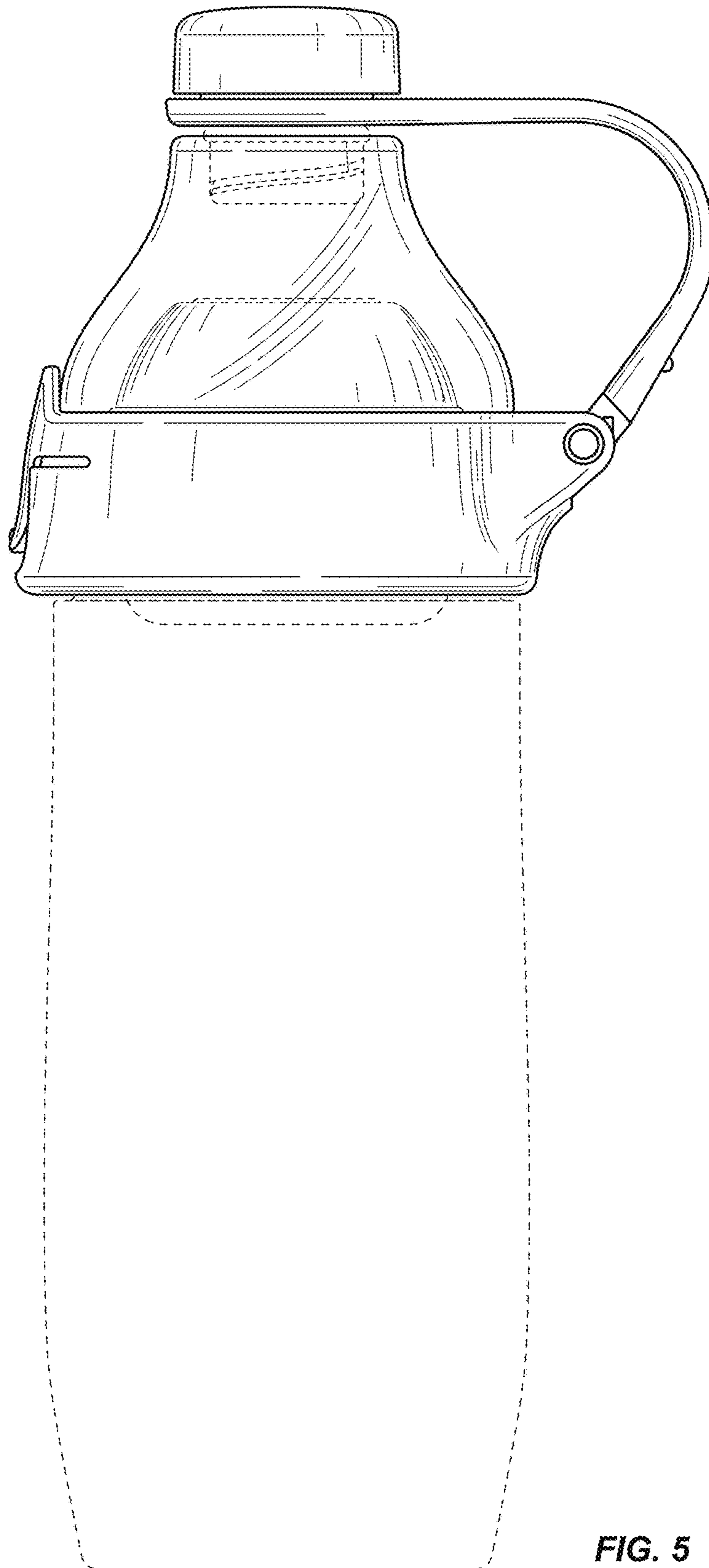


FIG. 4



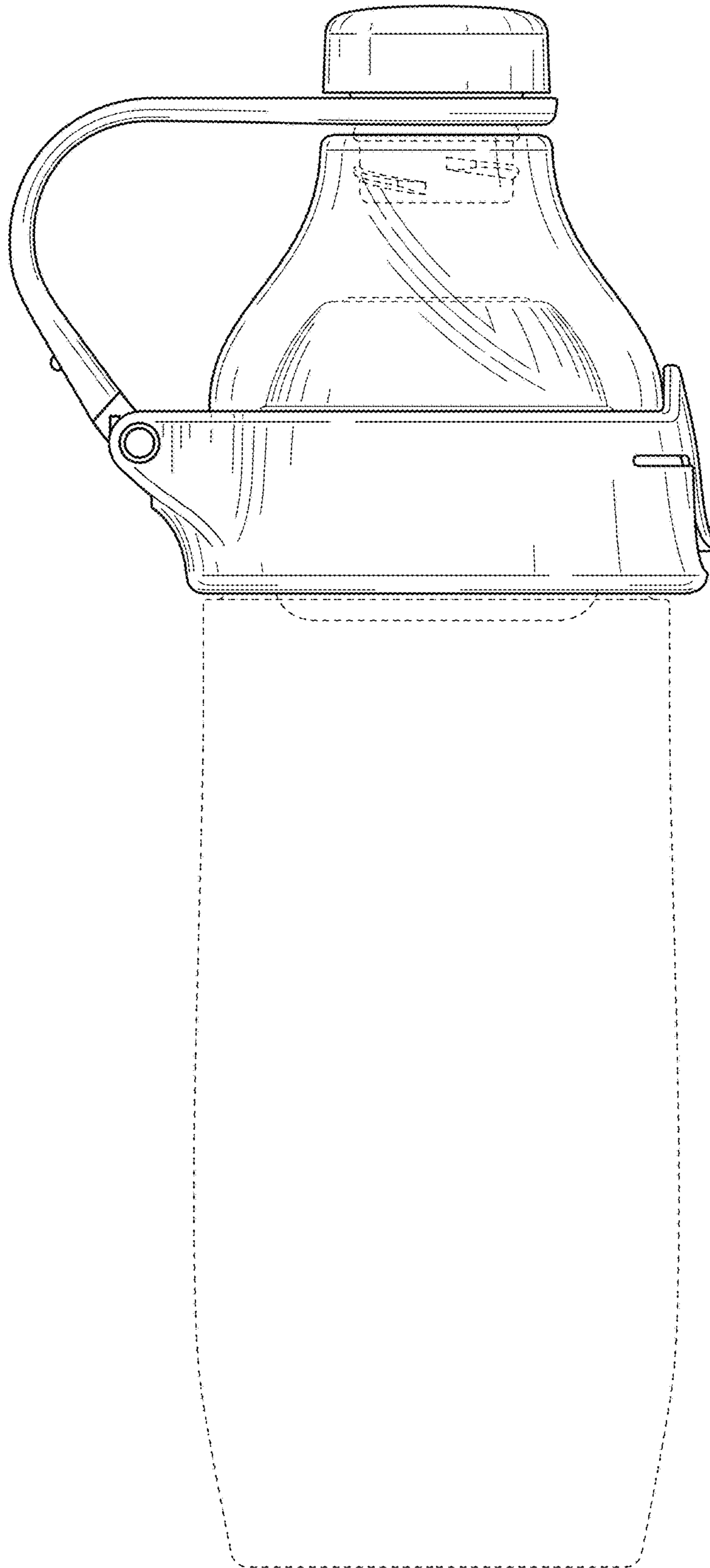


FIG. 6



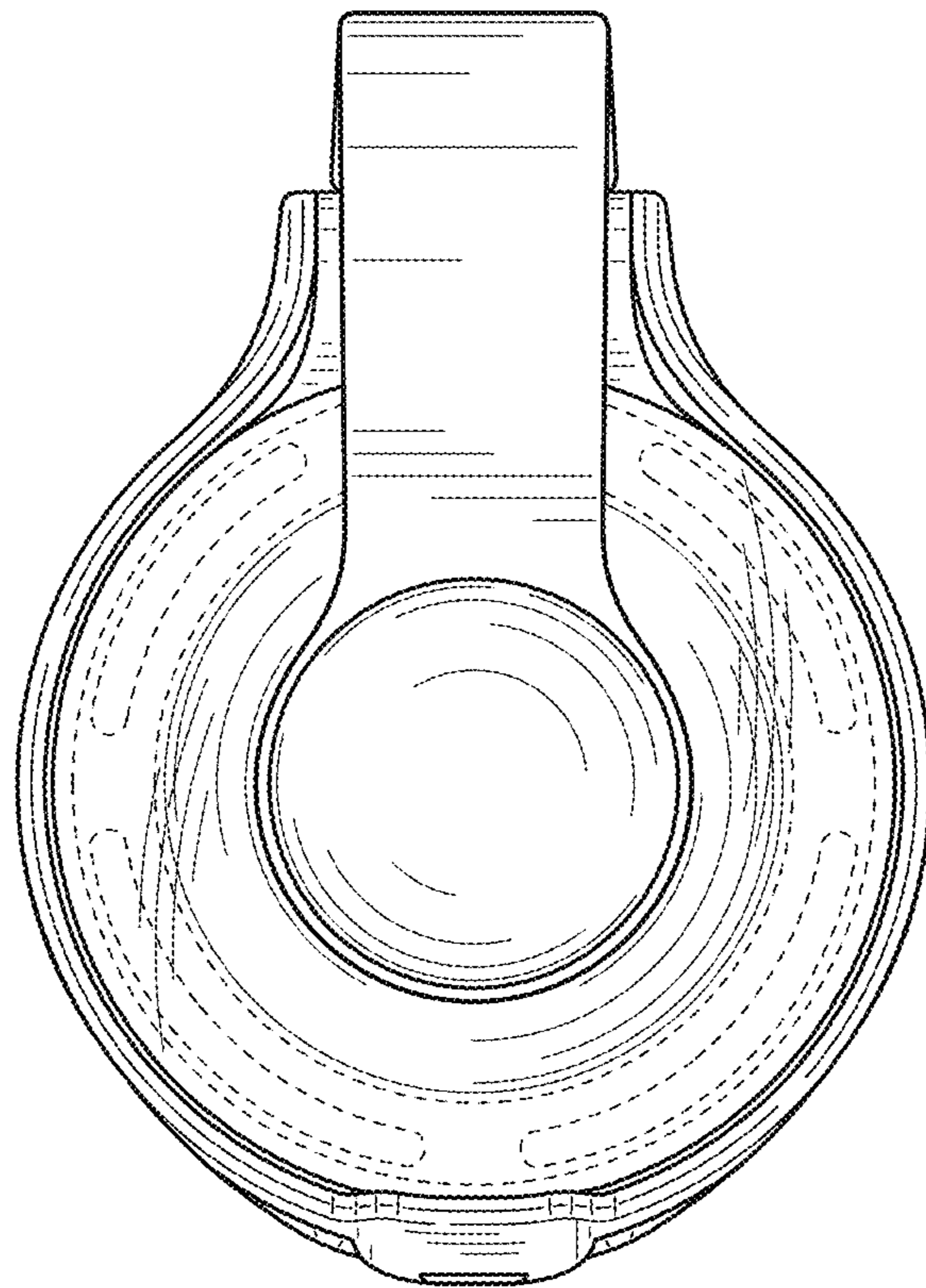


FIG. 7