



US00D824721S

(12) **United States Design Patent** (10) **Patent No.:** **US D824,721 S**  
**Hu** (45) **Date of Patent:** **\*\* Aug. 7, 2018**

(54) **LID**  
(71) Applicant: **Yongkang Shuntai Industrial Co., Ltd., Yongkang (CN)**  
(72) Inventor: **Hongxiao Hu, Yongkang (CN)**  
(73) Assignee: **Yongkang Shuntai Industrial Co., Ltd., Yongkang (TW)**  
(\*\*) Term: **15 Years**  
(21) Appl. No.: **29/599,576**  
(22) Filed: **Apr. 5, 2017**  
(51) **LOC (11) Cl.** ..... **07-99**  
(52) **U.S. Cl.**  
USPC ..... **D7/392.1; D7/396.2; D9/443**  
(58) **Field of Classification Search**  
USPC ..... D9/434, 435, 436, 443, 444-452, D9/454-456, 499, 529, 682, 685, 686; D7/387, 391, 392, 392.1, 396.1, 396.2, D7/396.3, 396.4, 397, 398, 401.1, 507, D7/509-511, 538, 900; D3/202, 203.2; D28/91, 91.1  
CPC .. A61J 1/00; A61J 1/1412; B65D 1/00; B65D 1/02; B65D 1/10; B65D 1/46; B65D 2585/56; B65D 2585/545; B65D 41/00; B65D 41/38; B65D 41/56; B65D 41/62; B65D 47/00; B65D 47/06; B65D 47/08; B65D 2543/00046; B65D 2543/00092; B65D 2543/00296; B65D 5/46; B65D 2251/00  
See application file for complete search history.

(56) **References Cited**  
U.S. PATENT DOCUMENTS  
D547,607 S \* 7/2007 Forsman ..... D7/396.2  
D626,837 S \* 11/2010 Meyers ..... D9/443

D679,541 S \* 4/2013 Samartgis ..... D7/392.1  
D682,612 S \* 5/2013 Rzepecki ..... D7/392.1  
D686,448 S \* 7/2013 Boroski ..... D7/392.1  
D696,551 S \* 12/2013 Meyers ..... D7/392.1  
D700,515 S \* 3/2014 Herbst ..... D9/448  
8,695,830 B2 \* 4/2014 Meyers ..... B65D 51/242  
220/254.3  
D719,780 S \* 12/2014 Sullivan ..... D7/392.1  
D721,276 S \* 1/2015 Herbst ..... D7/396.2  
D739,174 S \* 9/2015 Elsaden ..... D7/392.1  
D742,230 S \* 11/2015 Charles ..... D7/396.2  
D745,827 S \* 12/2015 Sorensen ..... D7/392.1  
D748,943 S \* 2/2016 Miller ..... D7/392.1  
D756,702 S \* 5/2016 Joseph ..... D7/392.1  
D758,127 S \* 6/2016 Zhao ..... D7/392.1  
D758,189 S \* 6/2016 Roth ..... D7/392.1  
D763,688 S \* 8/2016 Breit ..... D9/443  
D768,491 S \* 10/2016 Sorensen ..... D7/392.1  
D777,508 S \* 1/2017 Goodwin ..... D7/392.1  
D793,154 S \* 8/2017 Sorensen ..... D7/392.1  
9,790,007 B2 \* 10/2017 Sorensen ..... A47G 19/00  
D811,162 S \* 2/2018 Rane ..... D7/396.2

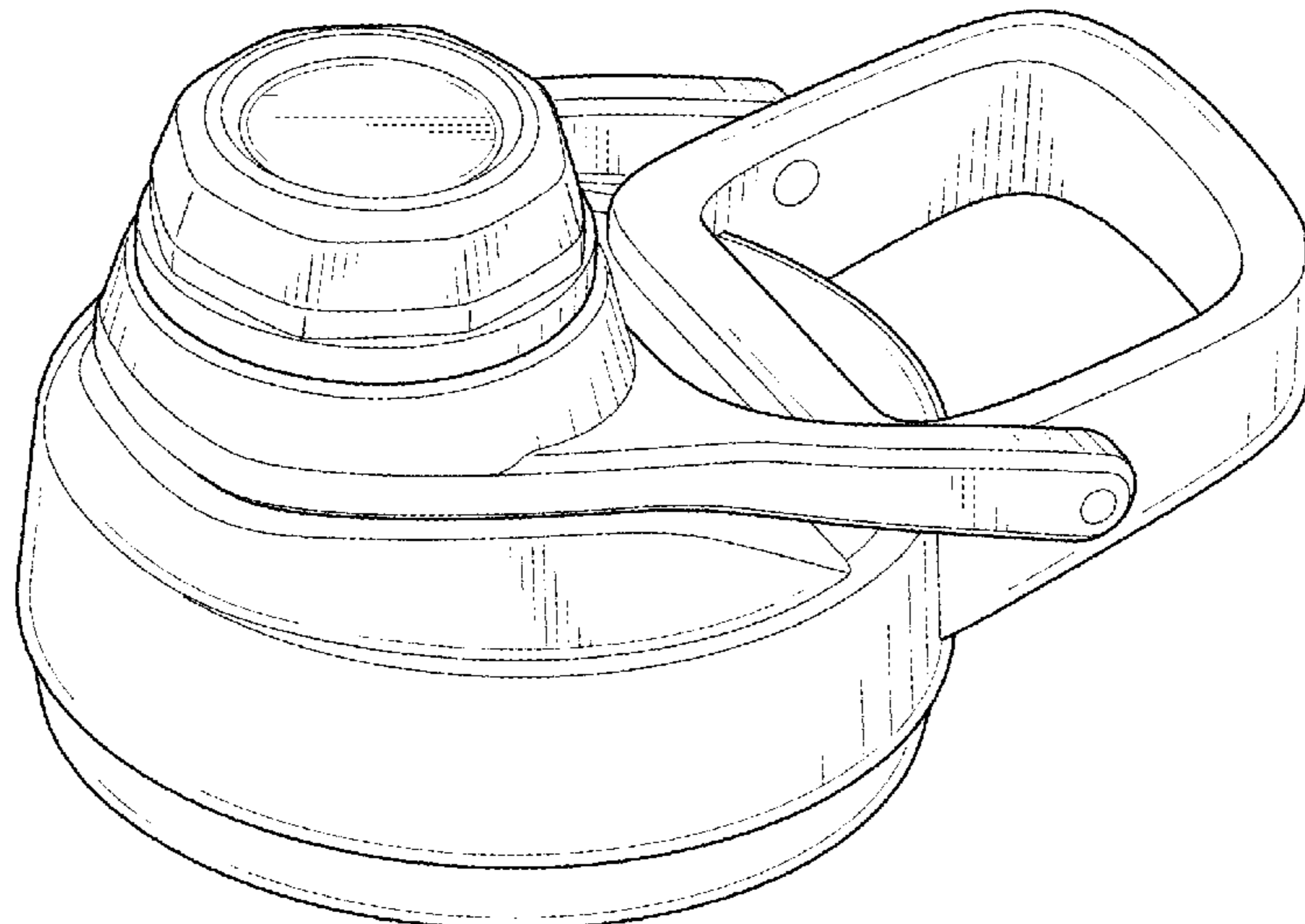
(Continued)

*Primary Examiner* — Michael A. Pratt  
*Assistant Examiner* — Wendy L Arminio  
(74) *Attorney, Agent, or Firm* — Wang Law Firm, Inc.

(57) **CLAIM**  
The ornamental design for a lid, as shown and described.

**DESCRIPTION**  
FIG. 1 is a perspective view showing my new design;  
FIG. 2 is a front view thereof;  
FIG. 3 is a rear view thereof;  
FIG. 4 is a left view thereof;  
FIG. 5 is a right view thereof;  
FIG. 6 is a top view thereof; and,  
FIG. 7 is a bottom view thereof.  
The broken lines in the drawings depict portions of the lid that form no part of the claimed design.

**1 Claim, 7 Drawing Sheets**



(56)

**References Cited**

U.S. PATENT DOCUMENTS

2010/0224631 A1\* 9/2010 Roth ..... B65D 45/025  
220/288  
2014/0263324 A1\* 9/2014 Latham ..... B65D 51/18  
220/259.1  
2015/0201773 A1\* 7/2015 Sorensen ..... A47J 43/27  
220/254.5

\* cited by examiner

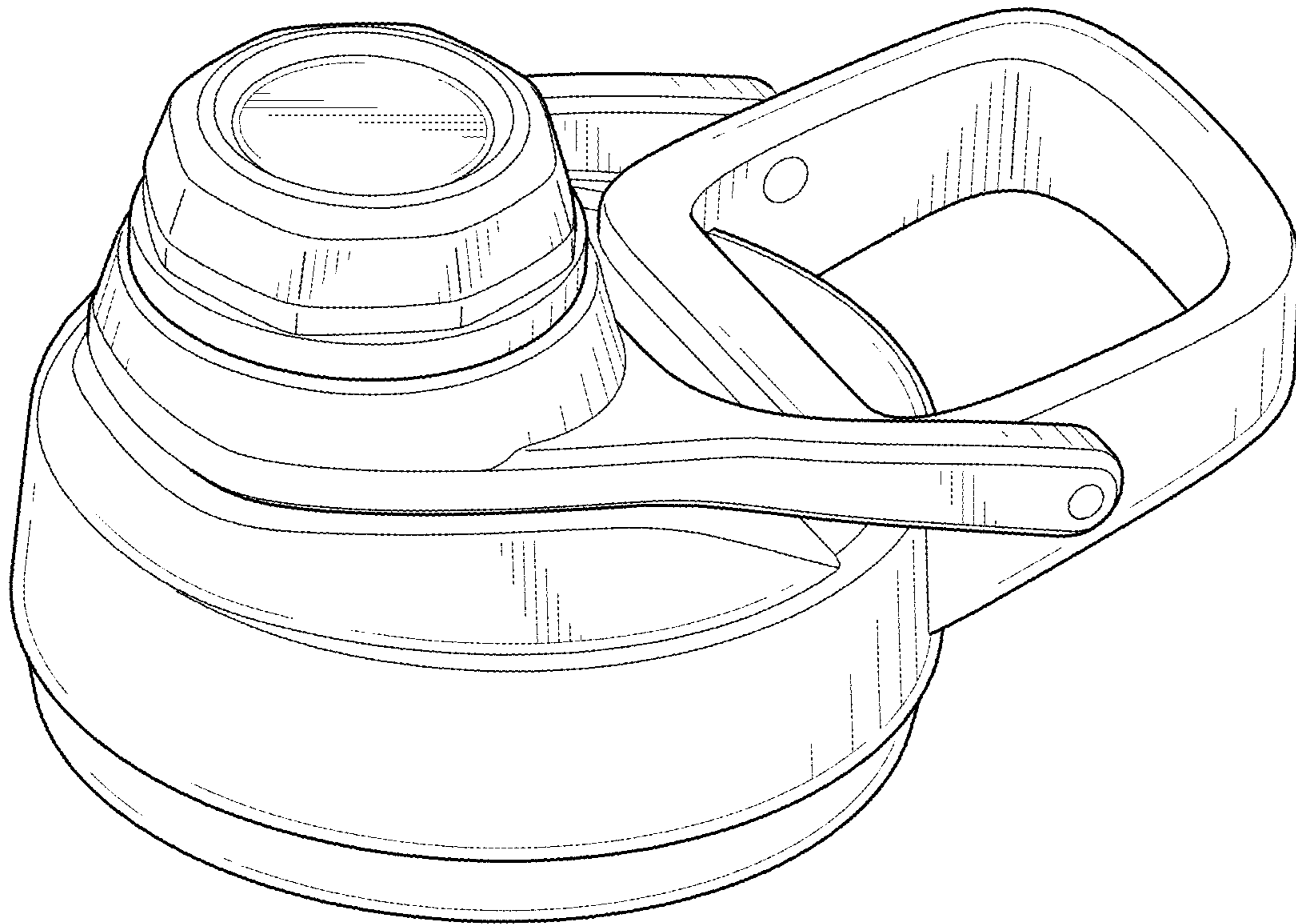


FIG. 1

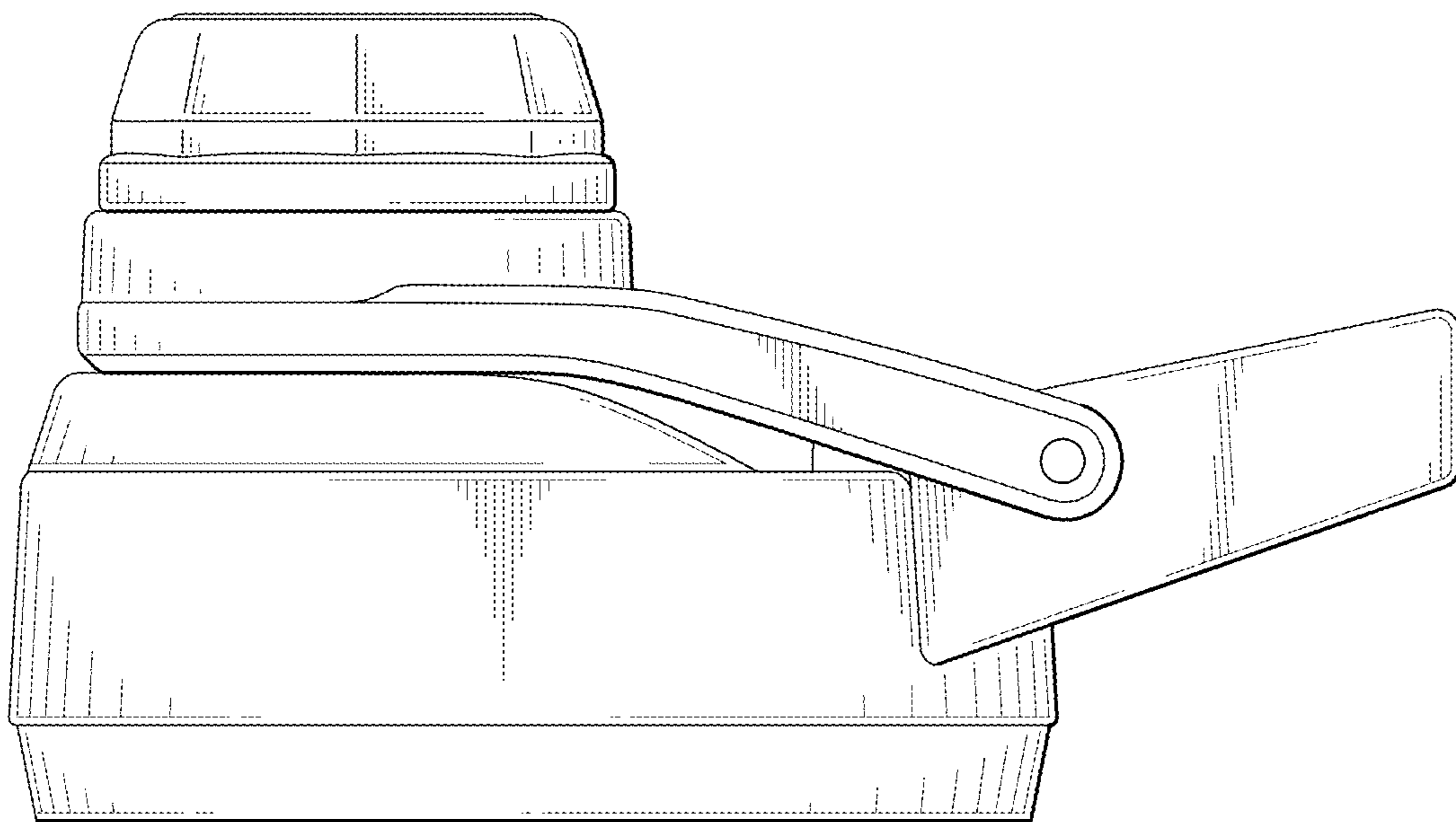


FIG. 2

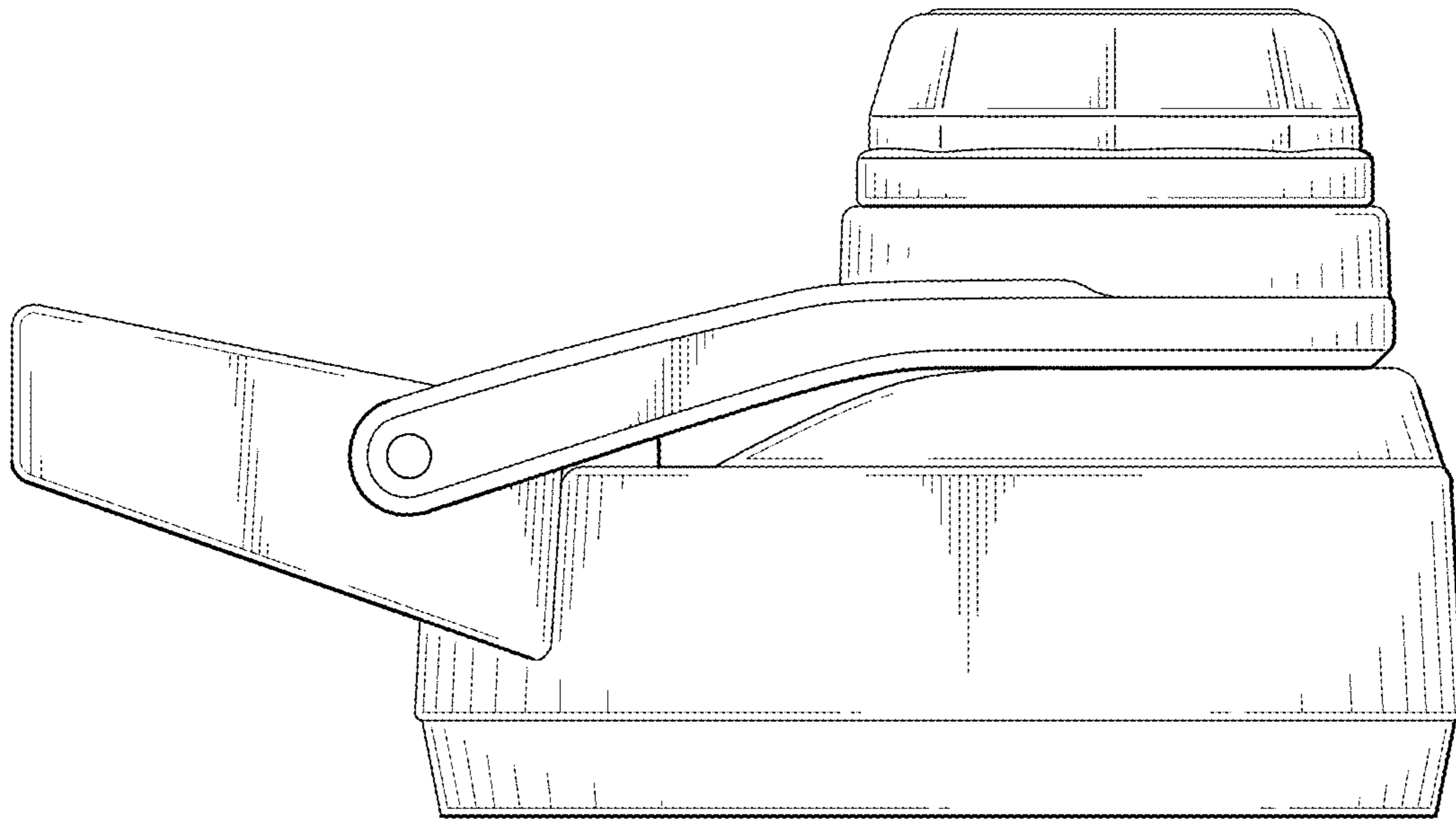


FIG. 3

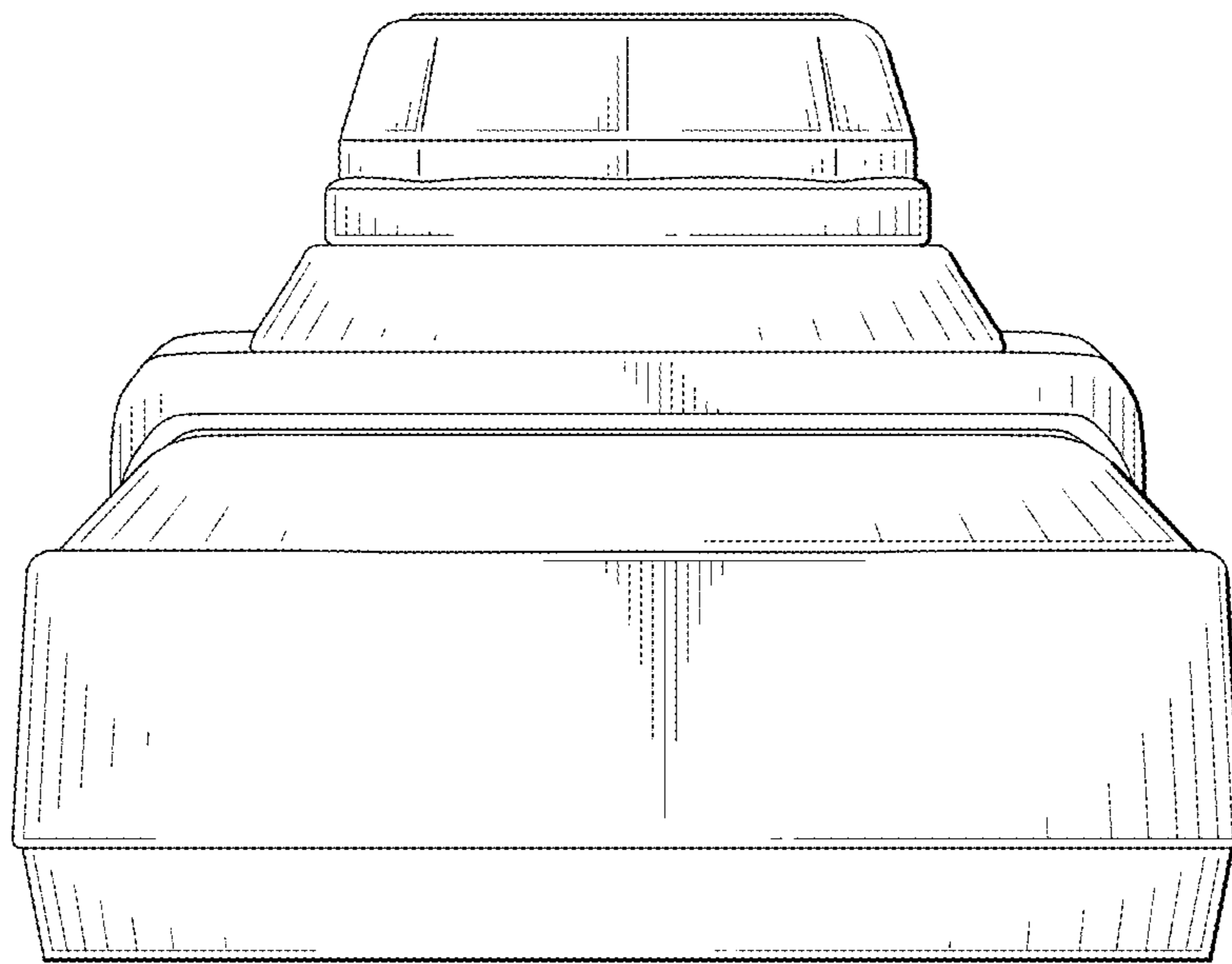


FIG. 4



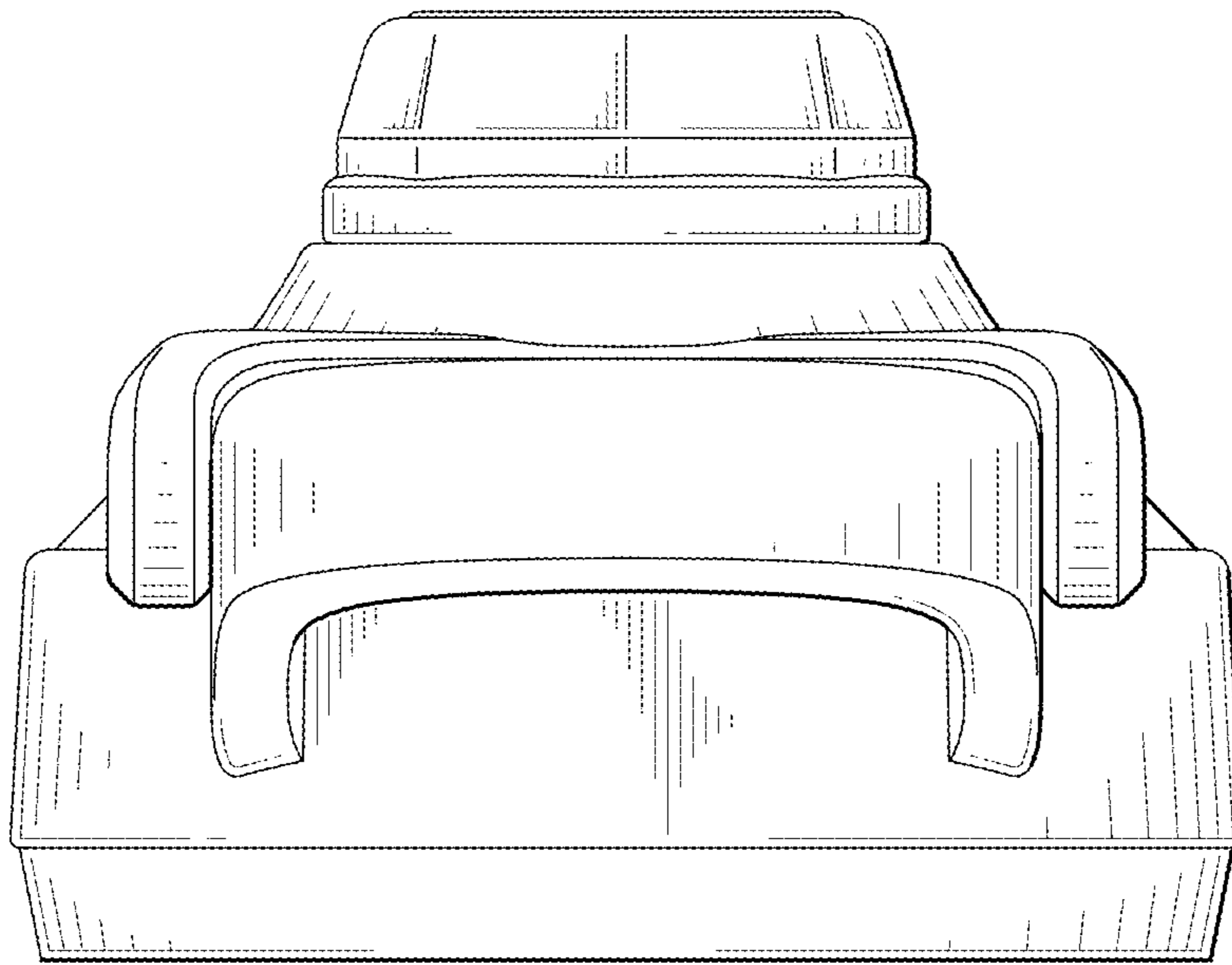


FIG. 5

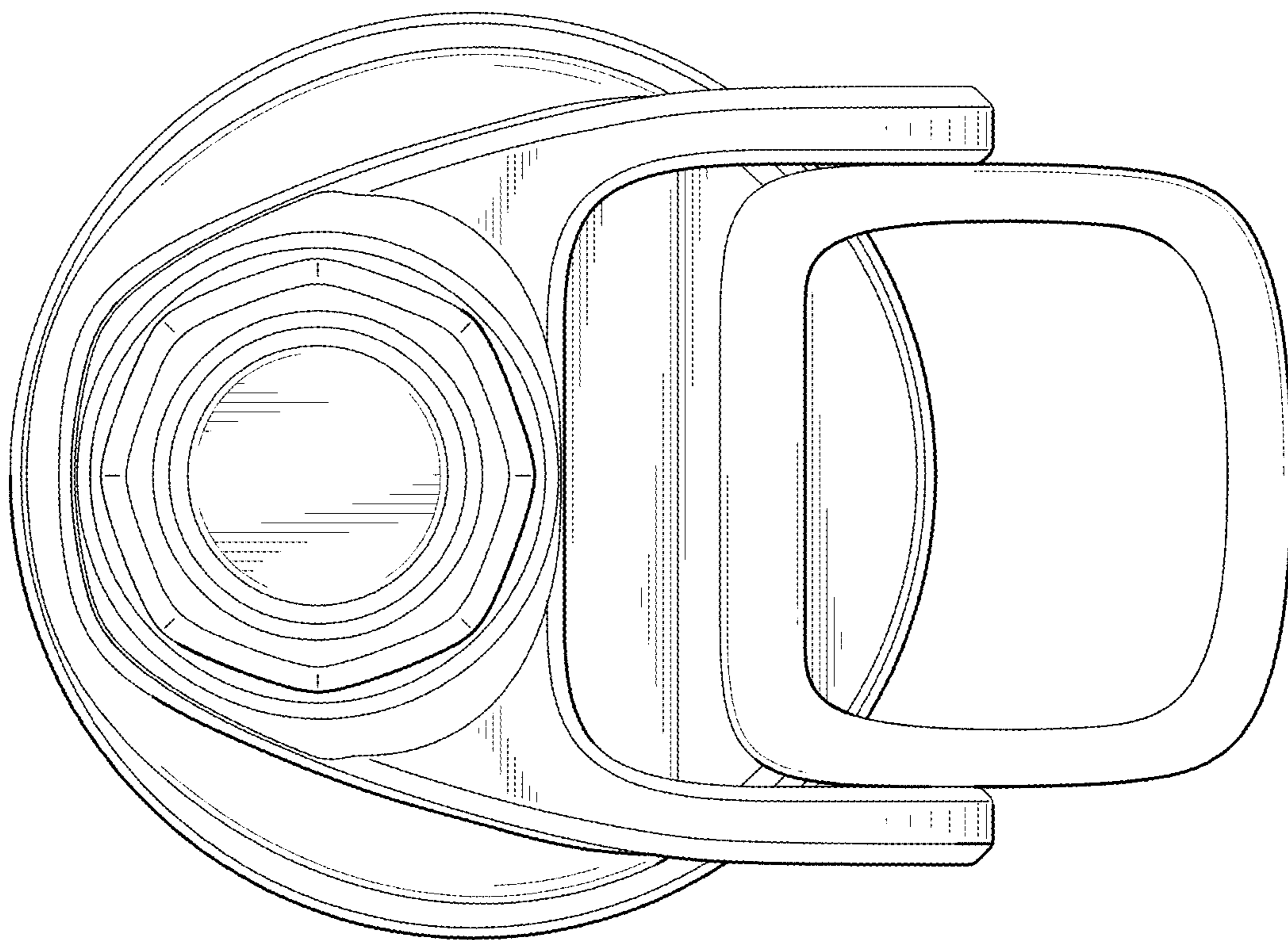


FIG. 6



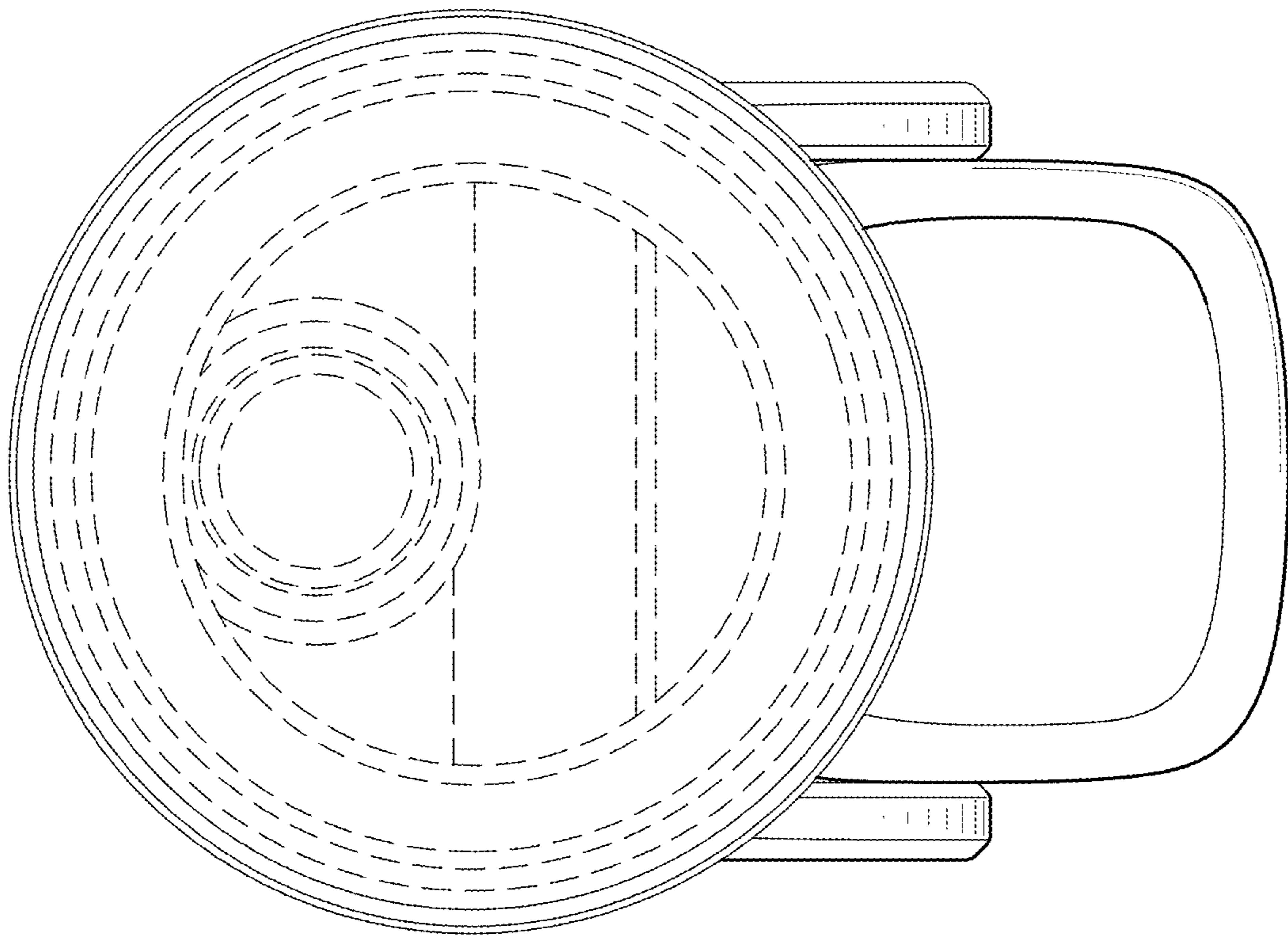


FIG. 7