



US00D824719S

(12) **United States Design Patent** (10) **Patent No.:** **US D824,719 S**
Yeung (45) **Date of Patent:** **** Aug. 7, 2018**

(54) **FOOD PROCESSOR**
(71) Applicant: **Parentstar Corporation Limited,**
Kowloon (HK)
(72) Inventor: **Chi Kuen Yeung,** Taikoo Shing (HK)
(**) Term: **15 Years**
(21) Appl. No.: **29/589,269**
(22) Filed: **Dec. 29, 2016**
(51) **LOC (11) Cl.** **31-00**
(52) **U.S. Cl.**
USPC **D7/384;** D7/376; D7/378; D7/412
(58) **Field of Classification Search**
USPC D7/372, 376-386, 412-413, 602, 629,
D7/665-666, 669, 679, 693-694
CPC A21C 1/02; A21C 1/04; A23N 1/00; A23N
1/02; A47J 43/04; A47J 43/25; A47J
43/27; A47J 43/042; A47J 43/044; A47J
43/046; A47J 43/075; A47J 43/0722;
A47J 43/0727; B01F 3/00; B01F 3/0807;
B01F 3/0853; B01F 13/0059; B01F
13/0064; B02C 1/08; B02C 2/04; B02C
4/42; B02C 4/142; B02C 4/143; B02C
4/423; B02C 13/1835; B28C 5/10; B28C
5/12; B28C 5/14; B28C 5/16
See application file for complete search history.

D445,635 S * 7/2001 Gort-Barten D7/378
D448,967 S * 10/2001 Planca D7/378
D483,607 S * 12/2003 Chang Chien D7/378
D551,521 S * 9/2007 Chang Chien D7/378
D551,914 S * 10/2007 Chang Chien D7/378
7,422,361 B2 * 9/2008 Pryor, Jr. A47J 43/046
366/197
D674,658 S * 1/2013 Fouquet D7/376

OTHER PUBLICATIONS

Certificate of Registration of Design dated Mar. 21, 2016 for Chinese Registration No. 1600496.8.

* cited by examiner

Primary Examiner — Ricky Pham
(74) *Attorney, Agent, or Firm* — Arnold & Porter Kaye Scholer LLP

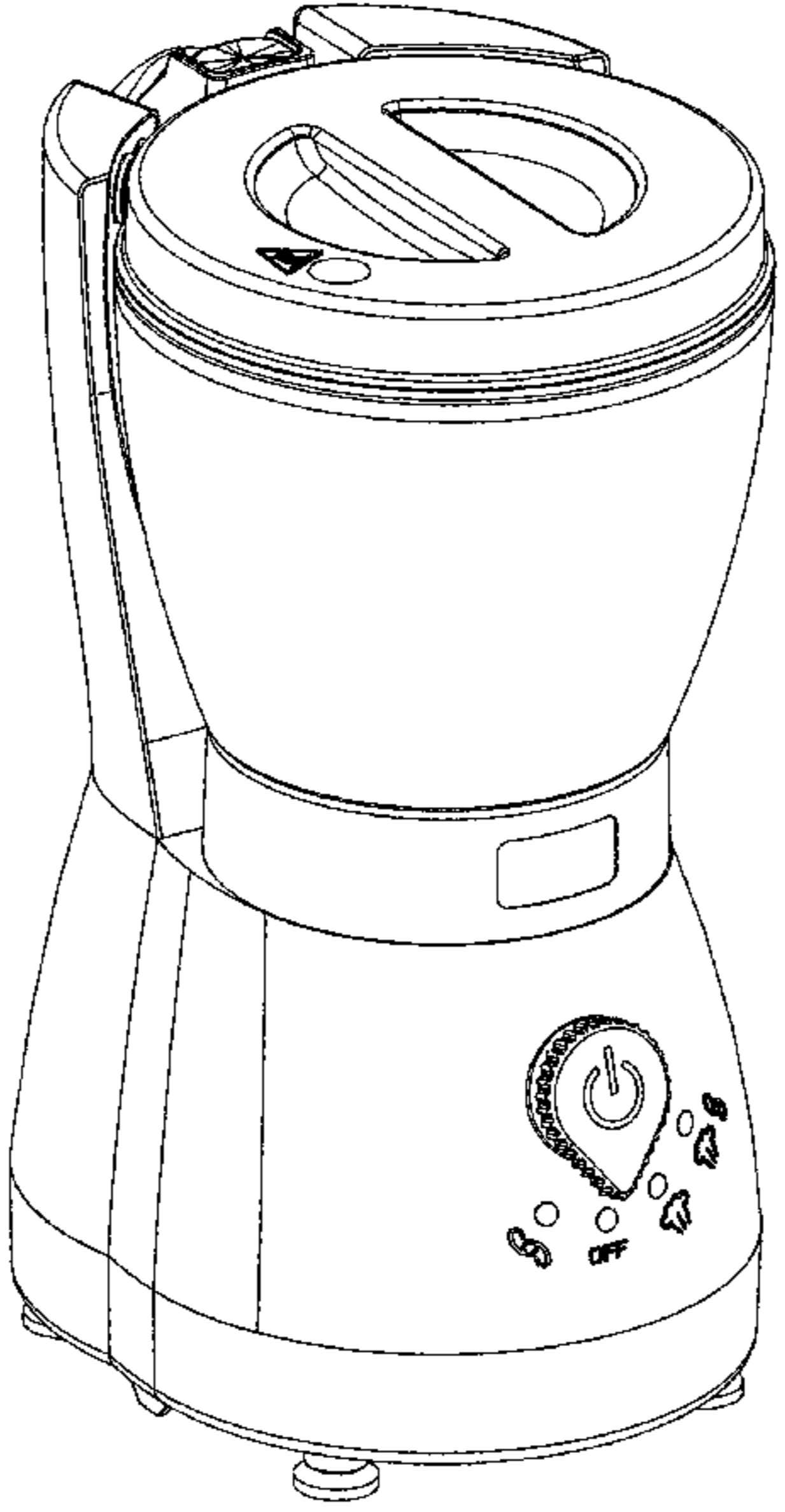
(57) **CLAIM**
The ornamental design for a food processor, as shown and described.

DESCRIPTION

FIG. 1 is a perspective view of one embodiment of a food processor.
FIG. 2 is a front view of the food processor of FIG. 1.
FIG. 3 is a rear view of the food processor of FIG. 1.
FIG. 4 is a left side view of the food processor of FIG. 1.
FIG. 5 is a right side view of the food processor of FIG. 1.
FIG. 6 is a top view of the food processor of FIG. 1; and, FIG. 7 is a bottom view of the food processor of FIG. 1.
The broken-line disclosure in the views is for illustrative purposes only and forms no part of the claimed design. Further, missing views not shown form no part of the claimed design.

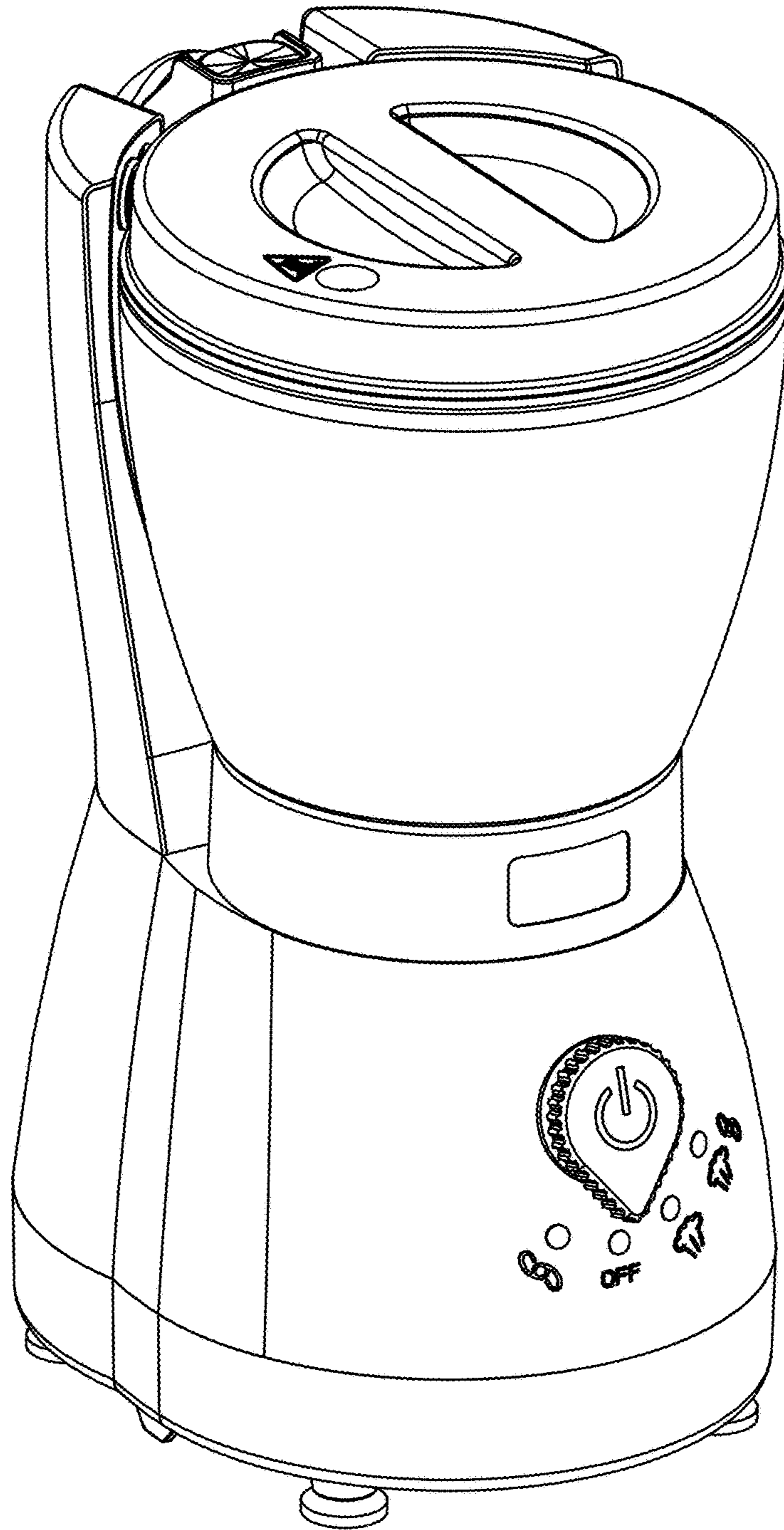
1 Claim, 6 Drawing Sheets

(56) **References Cited**
U.S. PATENT DOCUMENTS
D155,089 S * 9/1949 Karstadt D7/378
D349,423 S * 8/1994 Burgel D7/376
D412,809 S * 8/1999 Toro D7/378
D440,813 S * 4/2001 Gort-Barten D7/378



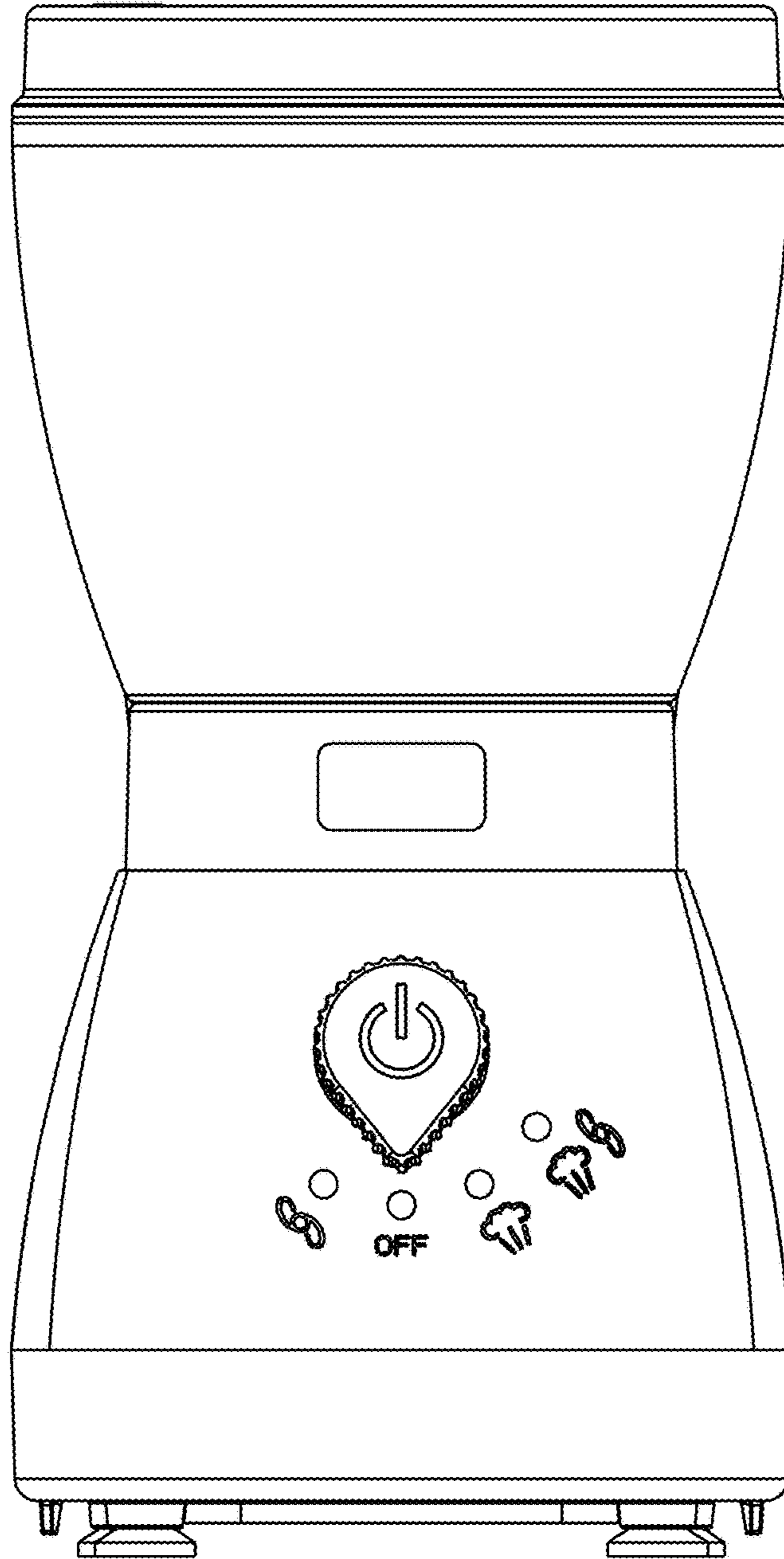
PERSPECTIVE VIEW

FIG. 1



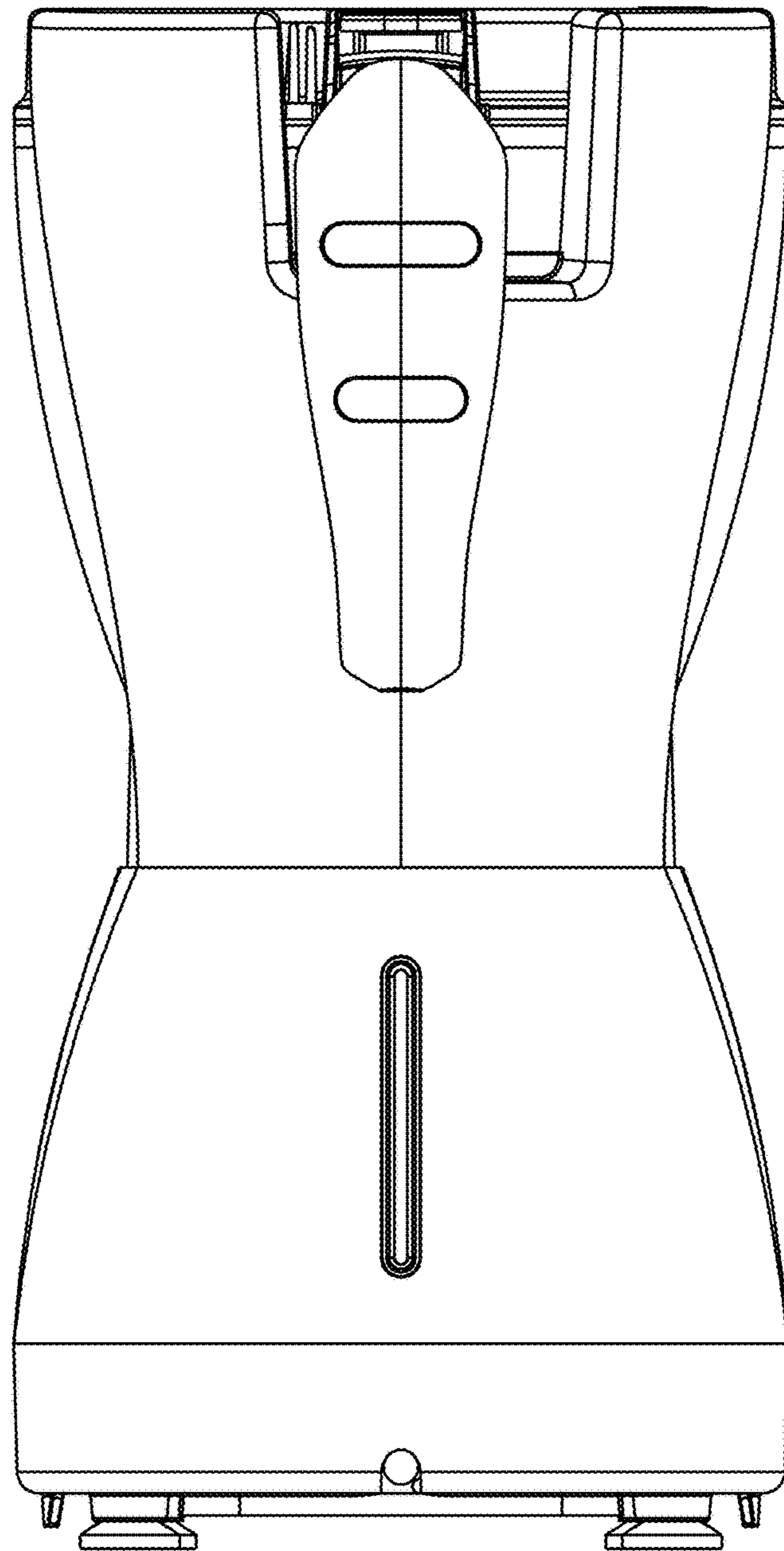
PERSPECTIVE VIEW

FIG. 2



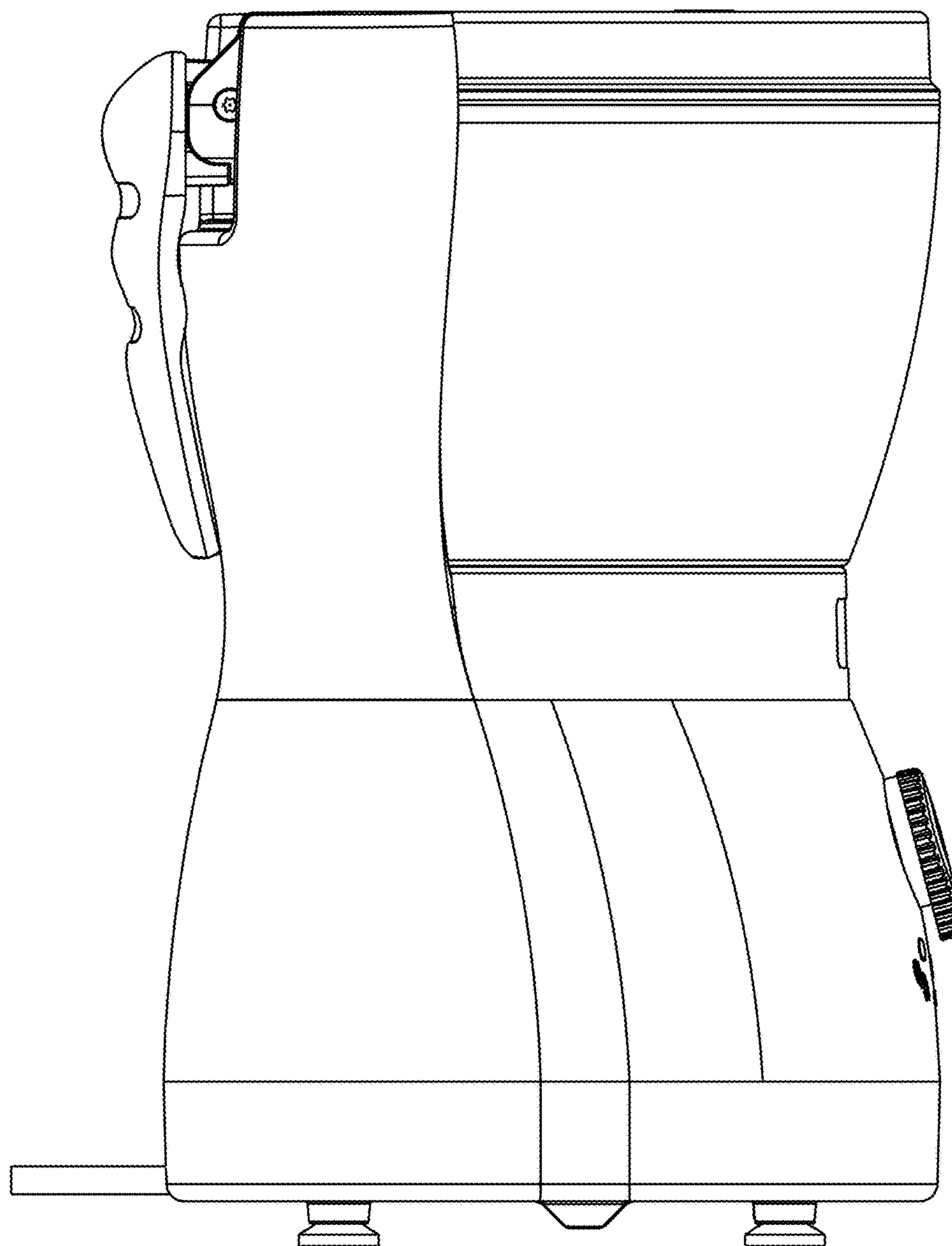
FRONT VIEW

FIG. 3



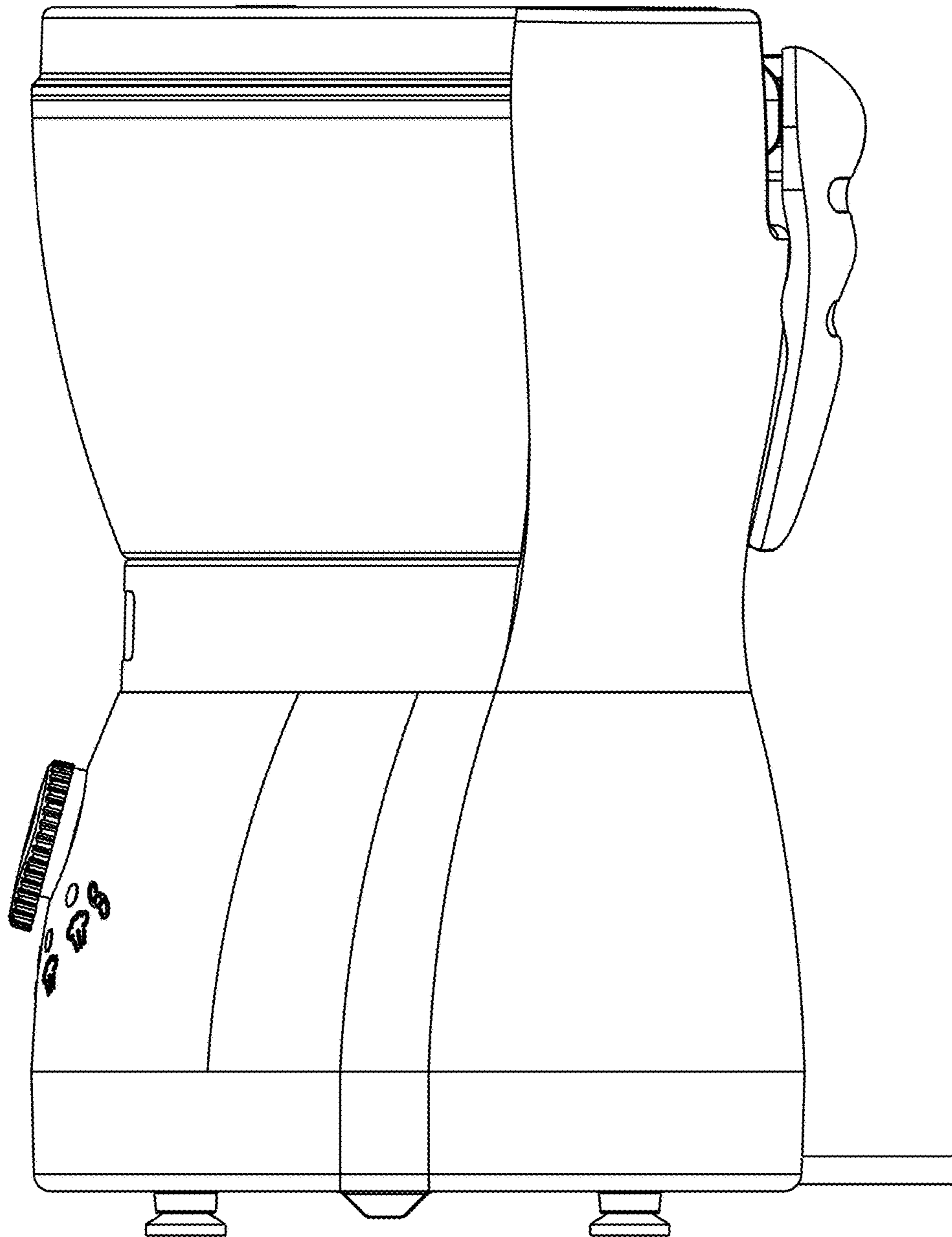
REAR VIEW

FIG. 4



LEFT SIDE VIEW

FIG. 5



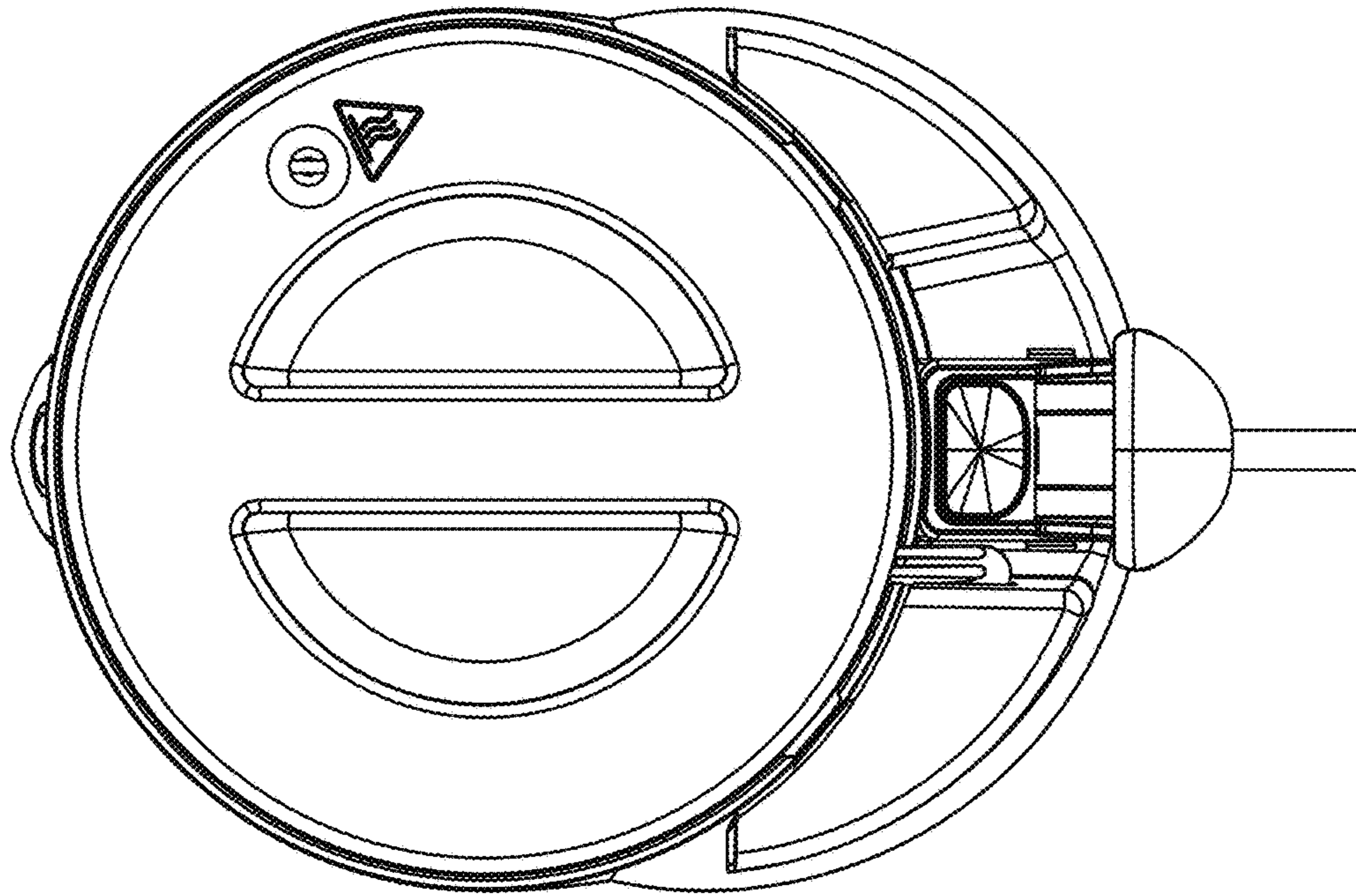


FIG. 6

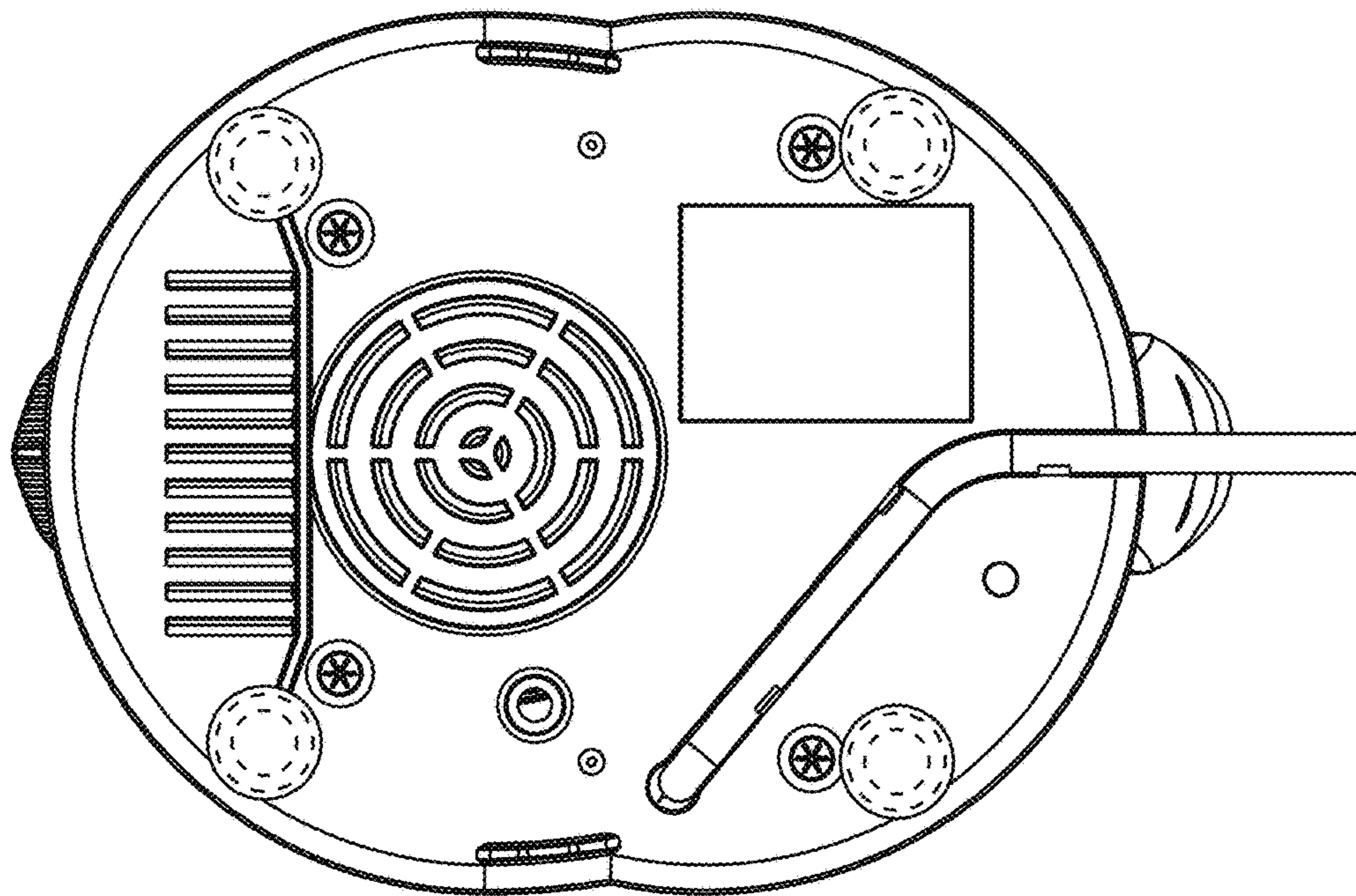


FIG. 7