



US00D824716S

(12) **United States Design Patent**  
**Elgamil et al.**

(10) **Patent No.:** **US D824,716 S**

(45) **Date of Patent:** **\*\* Aug. 7, 2018**

(54) **BAKING MOLD**

(71) Applicant: **The Dirty Cookie**, Mission Viejo, CA  
(US)

(72) Inventors: **Sally Elgamil**, Mission Viejo, CA (US);  
**Shahira Marei**, Mission Viejo, CA  
(US)

(\*\*) Term: **15 Years**

(21) Appl. No.: **29/566,996**

(22) Filed: **Jun. 3, 2016**

(51) **LOC (11) Cl.** ..... **07-02**

(52) **U.S. Cl.**  
USPC ..... **D7/354**

(58) **Field of Classification Search**  
USPC ..... D7/316, 323, 354–359, 393–397,  
D7/402–403, 409, 412, 500, 503, 509,  
D7/541, 566, 602; D26/6, 23, 96  
CPC ..... B29C 39/00; B29C 41/00; B29C 41/08  
See application file for complete search history.

(56) **References Cited**

U.S. PATENT DOCUMENTS

1,906,592	A *	5/1933	Hiester	.....	A21B 3/132
					249/133
3,769,899	A *	11/1973	Kostko	.....	A47J 39/00
					99/324
D265,176	S *	6/1982	Bock	.....	D34/39
D265,628	S *	8/1982	Redaelli	.....	D9/418
D276,139	S *	10/1984	Rayner	.....	D7/511
5,004,118	A *	4/1991	England	.....	B65D 51/28
					220/216
5,088,673	A *	2/1992	Chandler	.....	B60N 3/103
					215/386
D358,071	S *	5/1995	Gill	.....	D7/605
D370,411	S *	6/1996	Vernon, IV	.....	D9/436
5,755,418	A *	5/1998	Kracke	.....	B67D 3/0029
					211/74

6,129,771	A *	10/2000	Ficke	.....	A61L 9/012
					431/126
D442,833	S *	5/2001	Shuman	.....	D7/608
D448,866	S *	10/2001	Hollenbaugh	.....	D26/6
6,444,156	B1 *	9/2002	Schwarz	.....	C11C 5/006
					264/271.1
6,544,303	B2 *	4/2003	Calzada	.....	C11C 5/008
					431/288

(Continued)

*Primary Examiner* — Caron D Veynar

*Assistant Examiner* — Mehri F Bajoul

(74) *Attorney, Agent, or Firm* — Eric Karich; Karich & Associates

(57) **CLAIM**

The ornamental design for a baking mold, as shown and described.

**DESCRIPTION**

FIG. 1 is a top, front, left side perspective view of a first embodiment of the baking mold of the new design.

FIG. 2 is a front elevation view of the baking mold of FIG. 1, the rear, left side, and right side elevation views being identical as the device is rotationally symmetric.

FIG. 3 is a top plan view thereof.

FIG. 4 is a bottom plan view thereof.

FIG. 5 is an exploded perspective view thereof.

FIG. 6 is a cross-sectional view taken along line 6-6 of FIG. 2 at an enlarged scale.

FIG. 7 is an exploded perspective view of a second embodiment of the baking mold of the new design.

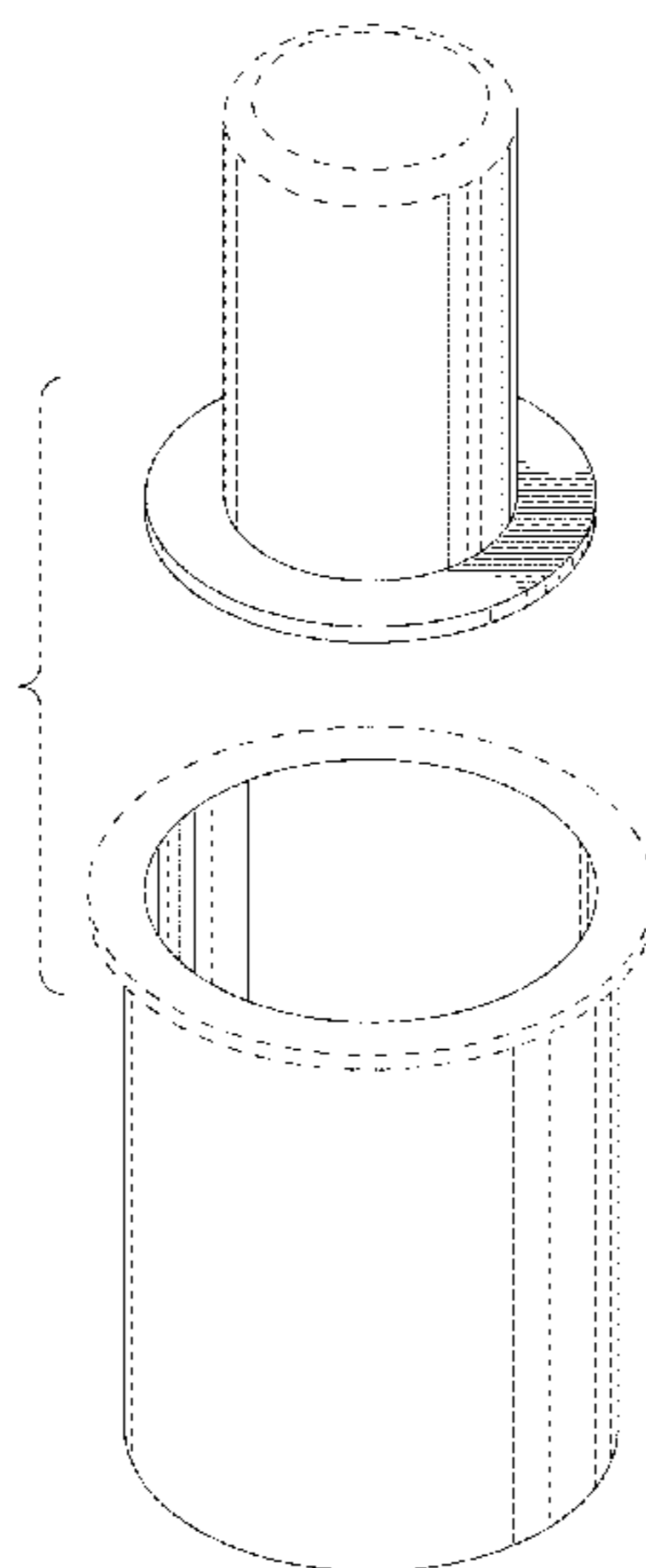
FIG. 8 is a cross-sectional view of the baking mold of FIG. 7.

FIG. 9 is an exploded perspective view of a third embodiment of the baking mold of the new design; and,

FIG. 10 is a cross-sectional view of the baking mold of FIG. 9.

The broken lines in the drawings depict portions of the baking mold that form no part of the claimed design.

**1 Claim, 4 Drawing Sheets**



(56)

References Cited

U.S. PATENT DOCUMENTS

6,855,179 B2 *	2/2005	Roldan	.....	C11C 5/002	431/288	2009/0233251 A1 *	9/2009	Ambroggio	.....	F21V 35/00	431/292
D559,120 S *	1/2008	Farrow	.....	D9/773		2009/0325113 A1 *	12/2009	Ellerbeck	.....	F21V 21/00	431/288
D610,871 S *	3/2010	Alviar	.....	D7/510		2010/0173254 A1 *	7/2010	Wade	.....	F23D 3/18	431/33
7,726,234 B2 *	6/2010	Glier	.....	A47J 27/004		2010/0207538 A1 *	8/2010	Chen	.....	F21S 6/001	315/291
D652,264 S *	1/2012	Fuller	.....	D7/608		2011/0024945 A1 *	2/2011	Decker	.....	F23D 3/08	264/279
D659,464 S *	5/2012	Albers	.....	B65D 43/022		2011/0088566 A1 *	4/2011	Doxie	.....	A21B 3/137	99/426
8,215,789 B2 *	7/2012	Howard	.....	F21S 19/00	362/157	2011/0089187 A1 *	4/2011	Steiger	.....	B65D 43/162	220/839
D669,615 S *	10/2012	Delcotto	.....	D26/6		2011/0212195 A1 *	9/2011	Chadha	.....	F23D 3/16	424/742
D675,881 S *	2/2013	Wamack, Jr.	.....	D7/608		2011/0269083 A1 *	11/2011	King	.....	F23D 3/16	431/126
D703,700 S *	4/2014	Tussy	.....	D15/83		2012/0009232 A1 *	1/2012	Yarlagadda	.....	A61K 8/0229	424/401
9,062,835 B2 *	6/2015	White	.....	F21V 35/00		2012/0225392 A1 *	9/2012	Decker	.....	F23D 3/08	431/288
9,261,275 B2 *	2/2016	Decker	.....	F23D 3/16		2012/0251962 A1 *	10/2012	White	.....	F21V 35/00	431/291
9,314,136 B2 *	4/2016	Kaiser	.....	A47J 47/16		2013/0092312 A1 *	4/2013	Cassoni	.....	B31B 1/00	156/69
D756,000 S *	5/2016	Ellis	.....	D26/6		2013/0209945 A1 *	8/2013	Cayton	.....	B29C 39/10	431/289
D760,424 S *	6/2016	Li	.....	D26/7		2014/0004472 A1 *	1/2014	Tovanyan	.....	C11C 5/008	431/288
D763,086 S *	8/2016	Kalagher	.....	D9/504		2014/0178550 A1 *	6/2014	Slutsky	.....	A47J 43/20	426/512
D767,810 S *	9/2016	Li	.....	D26/96		2015/0223473 A1 *	8/2015	Wirth	.....	A21B 3/131	426/505
D780,530 S *	3/2017	Seiders	.....	D7/608		2015/0320052 A1 *	11/2015	Diaz	.....	A21B 3/132	426/283
D780,531 S *	3/2017	Seiders	.....	D7/608		2016/0208196 A1 *	7/2016	Cayton	.....	C11C 5/02	
2003/0064337 A1 *	4/2003	Pesu	.....	F21V 1/22	431/291						
2005/0263919 A1 *	12/2005	Lin	.....	A61F 2/28	264/42						
2005/0266367 A1 *	12/2005	Kay	.....	F23D 3/16	431/291						
2006/0110697 A1 *	5/2006	Taffinder	.....	C11C 5/008	431/291						
2006/0175527 A1 *	8/2006	Morgan	.....	A21B 3/13	249/139						
2007/0023949 A1 *	2/2007	Nakamura	.....	B01D 33/015	264/109						

\* cited by examiner

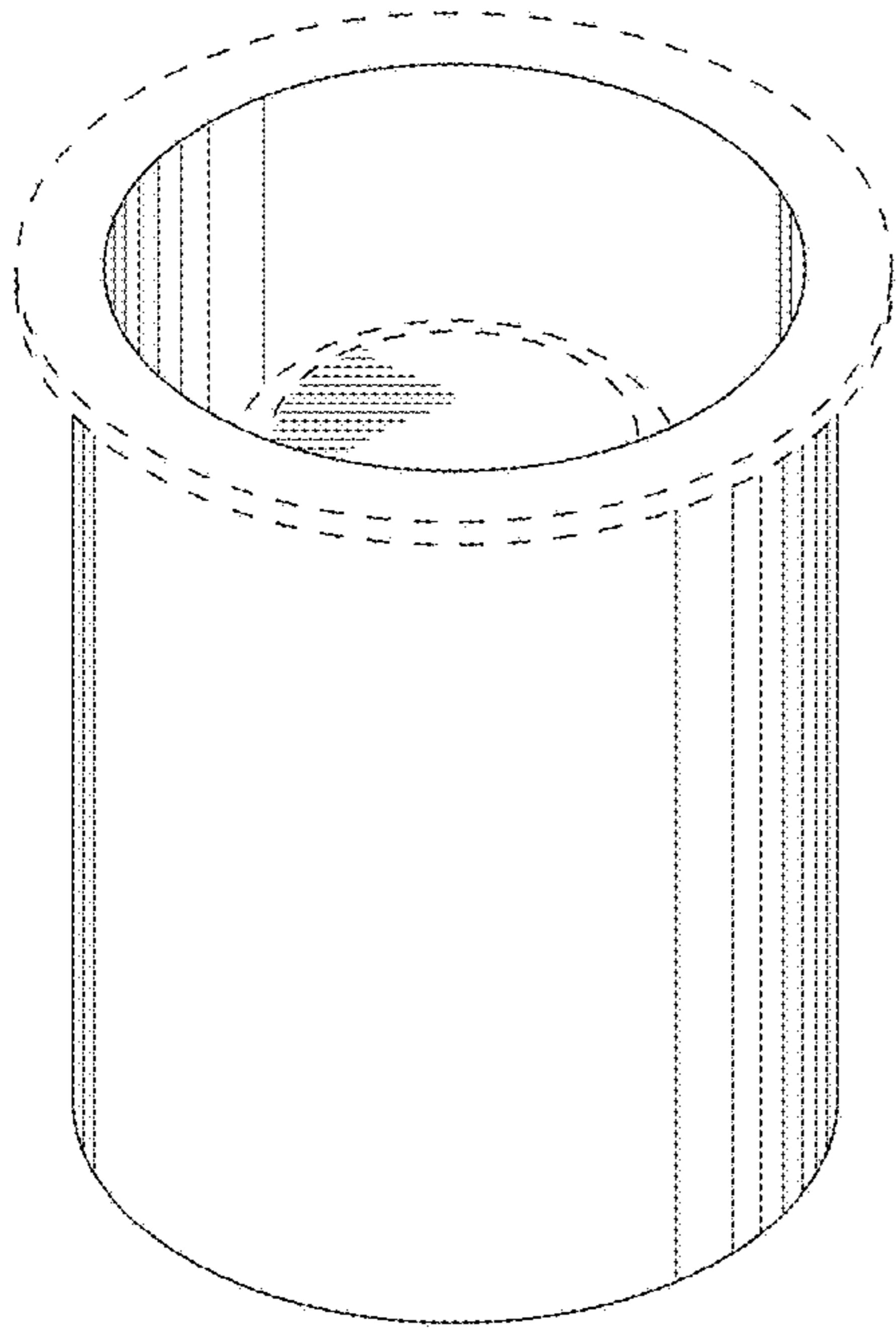


FIG. 1

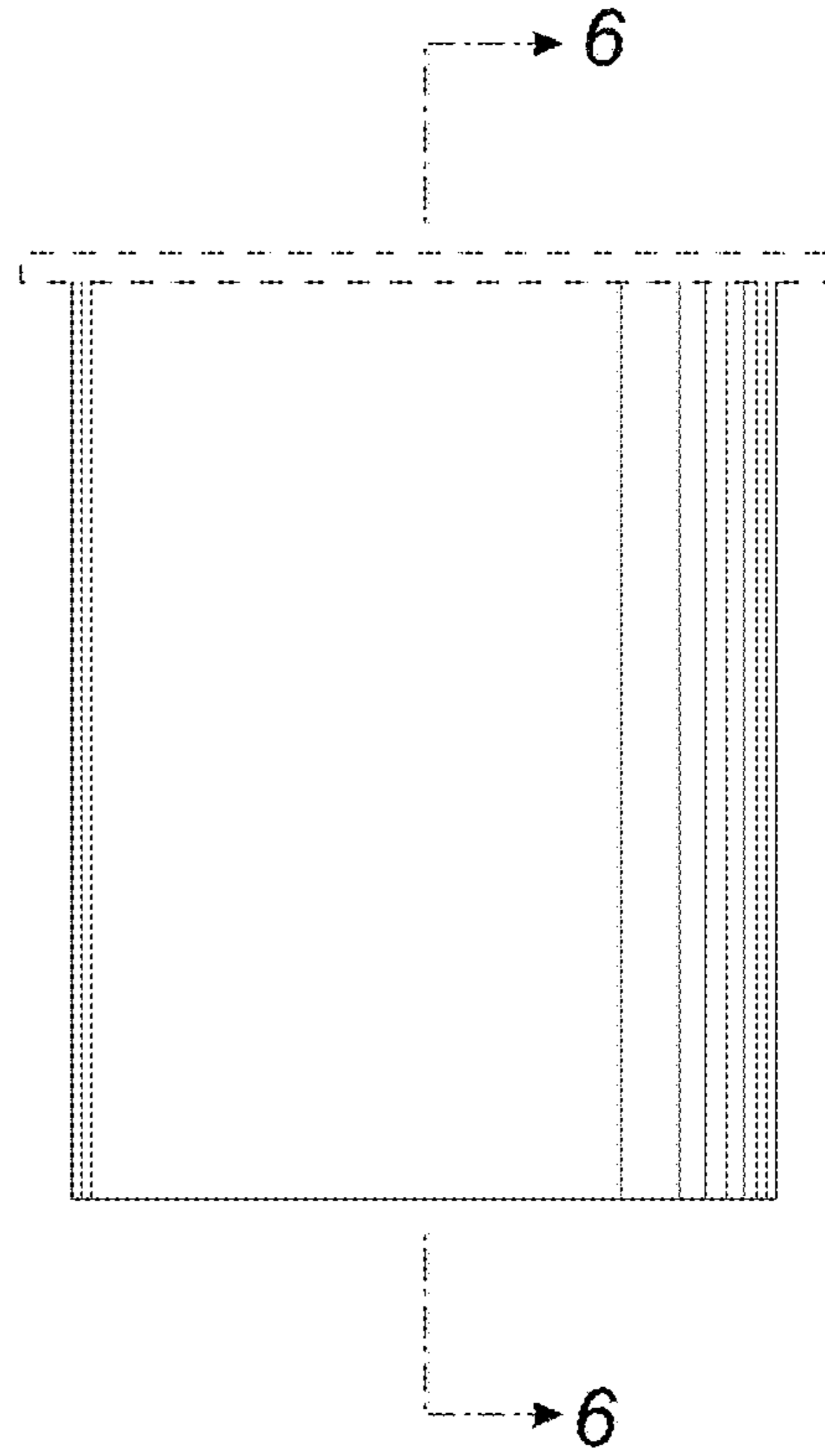


FIG. 2

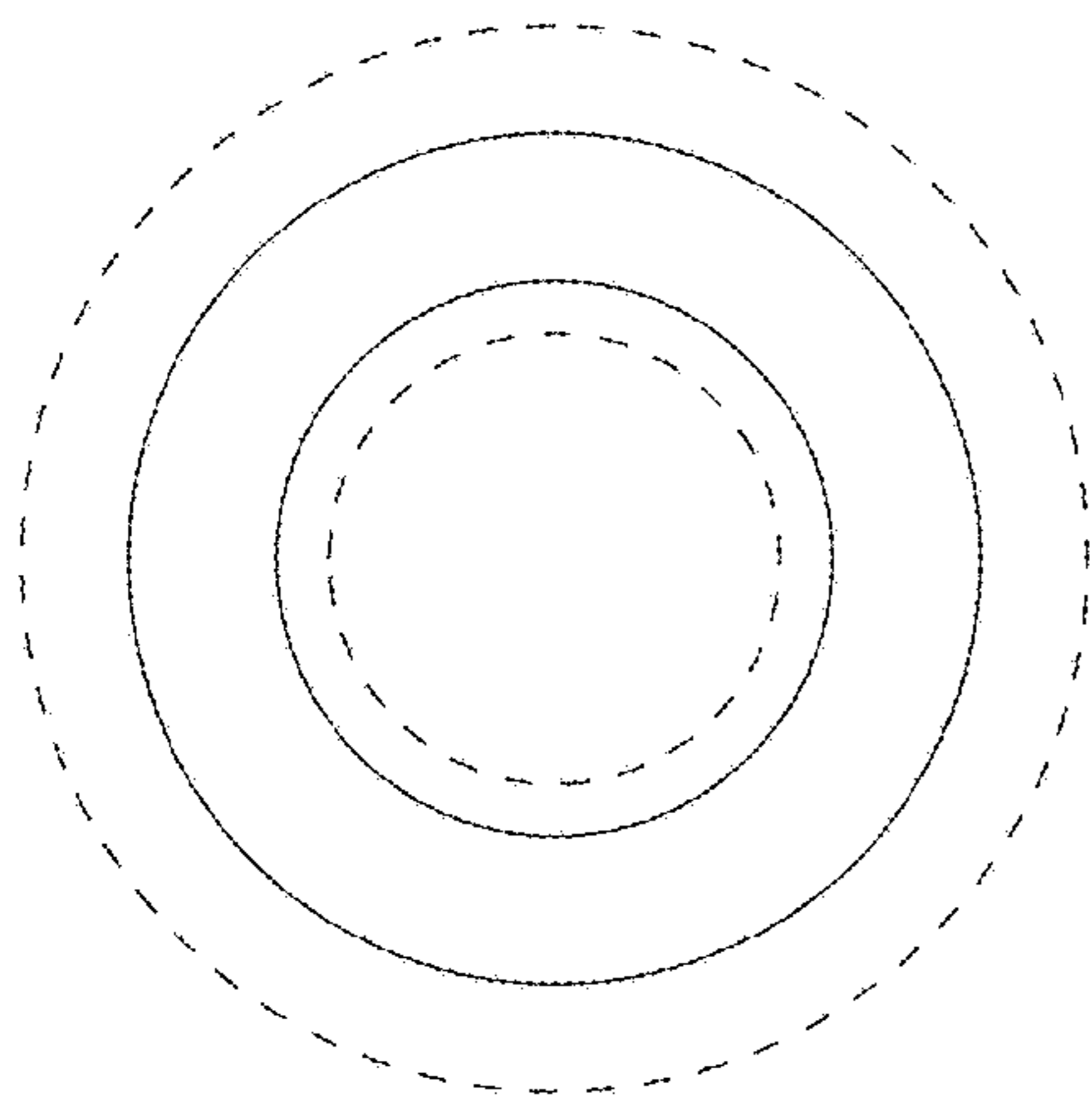


FIG. 3

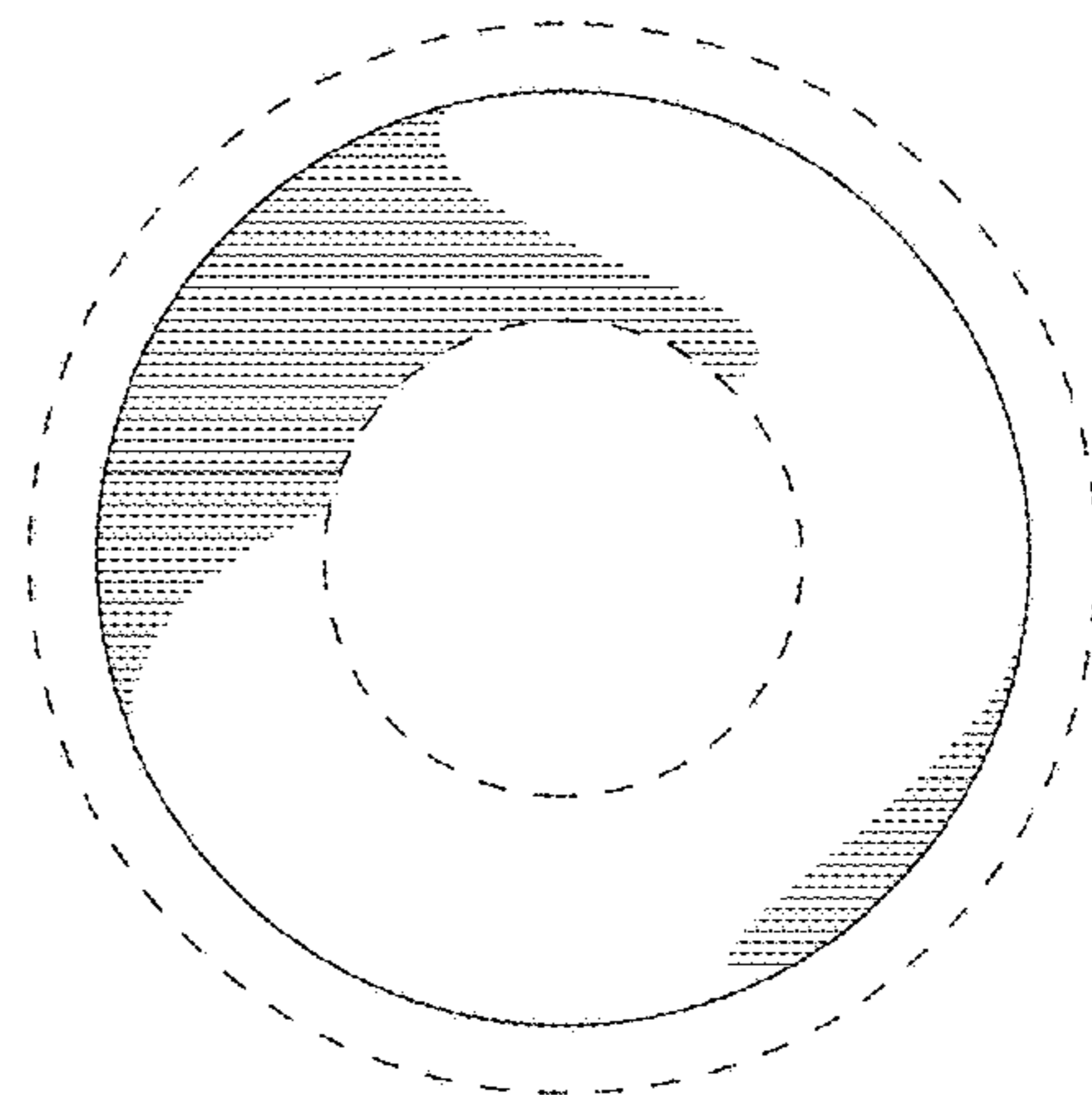


FIG. 4

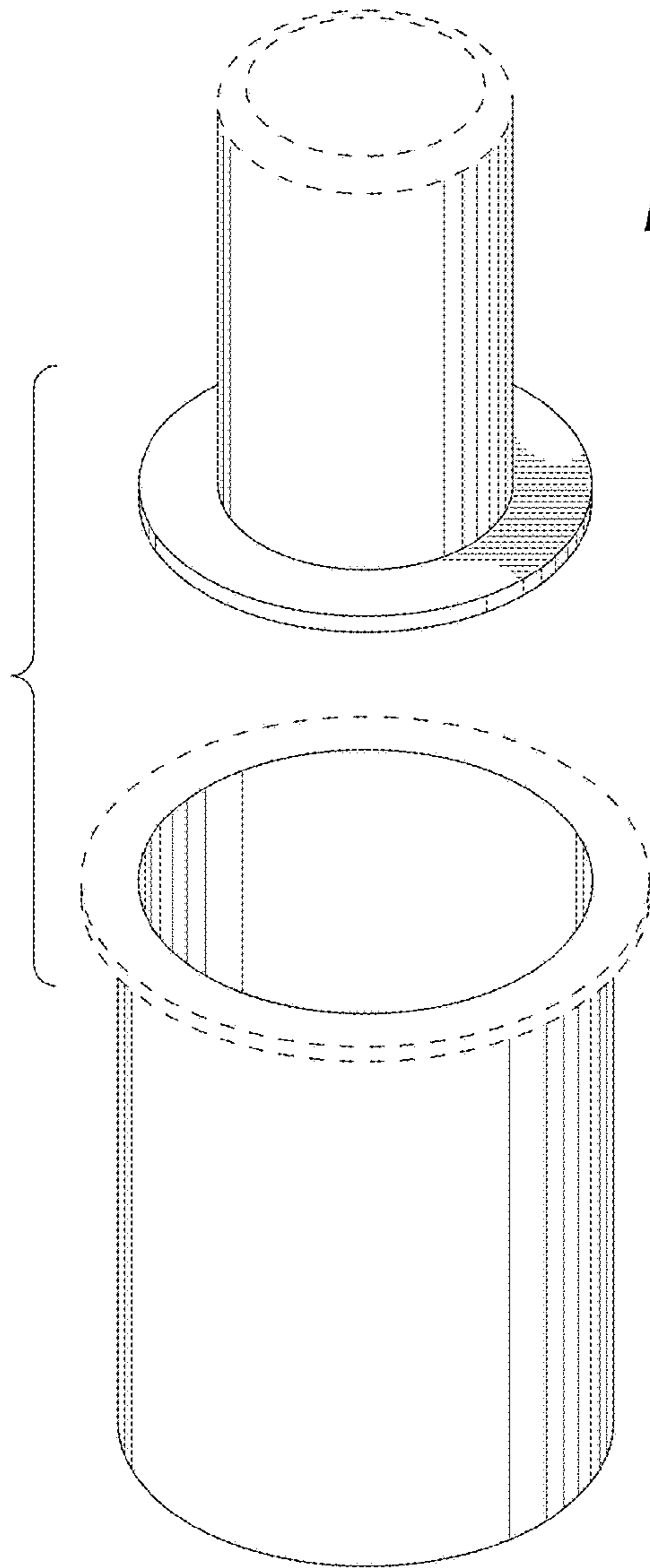


FIG. 5

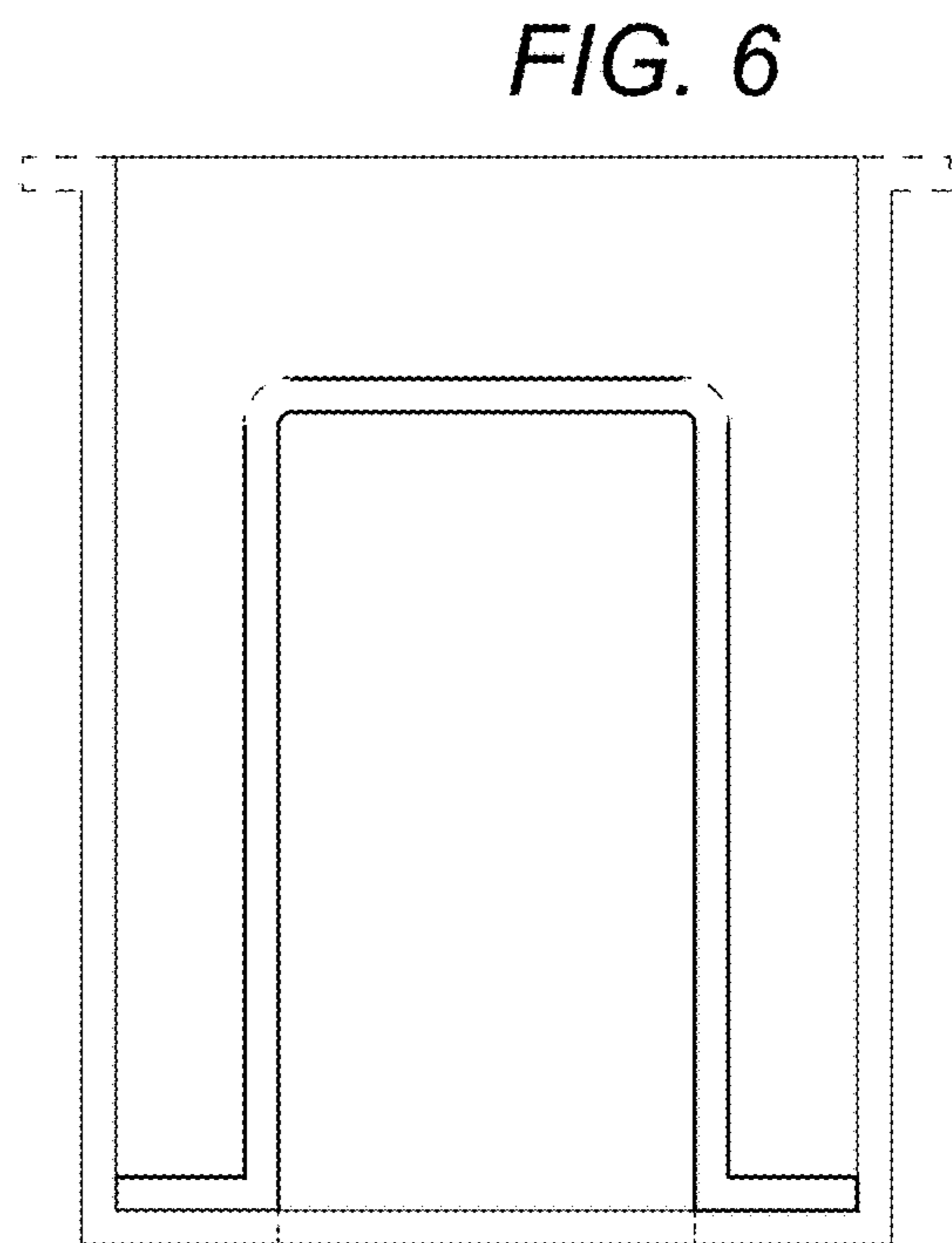
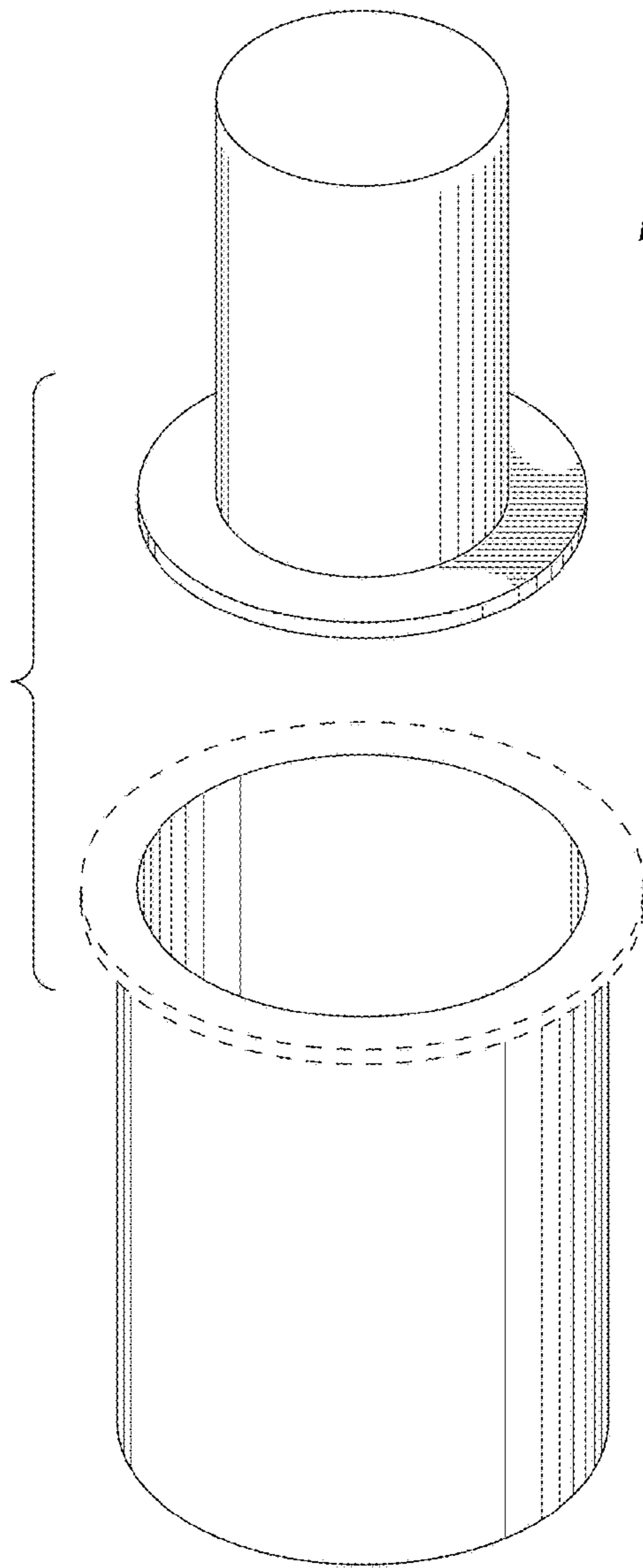
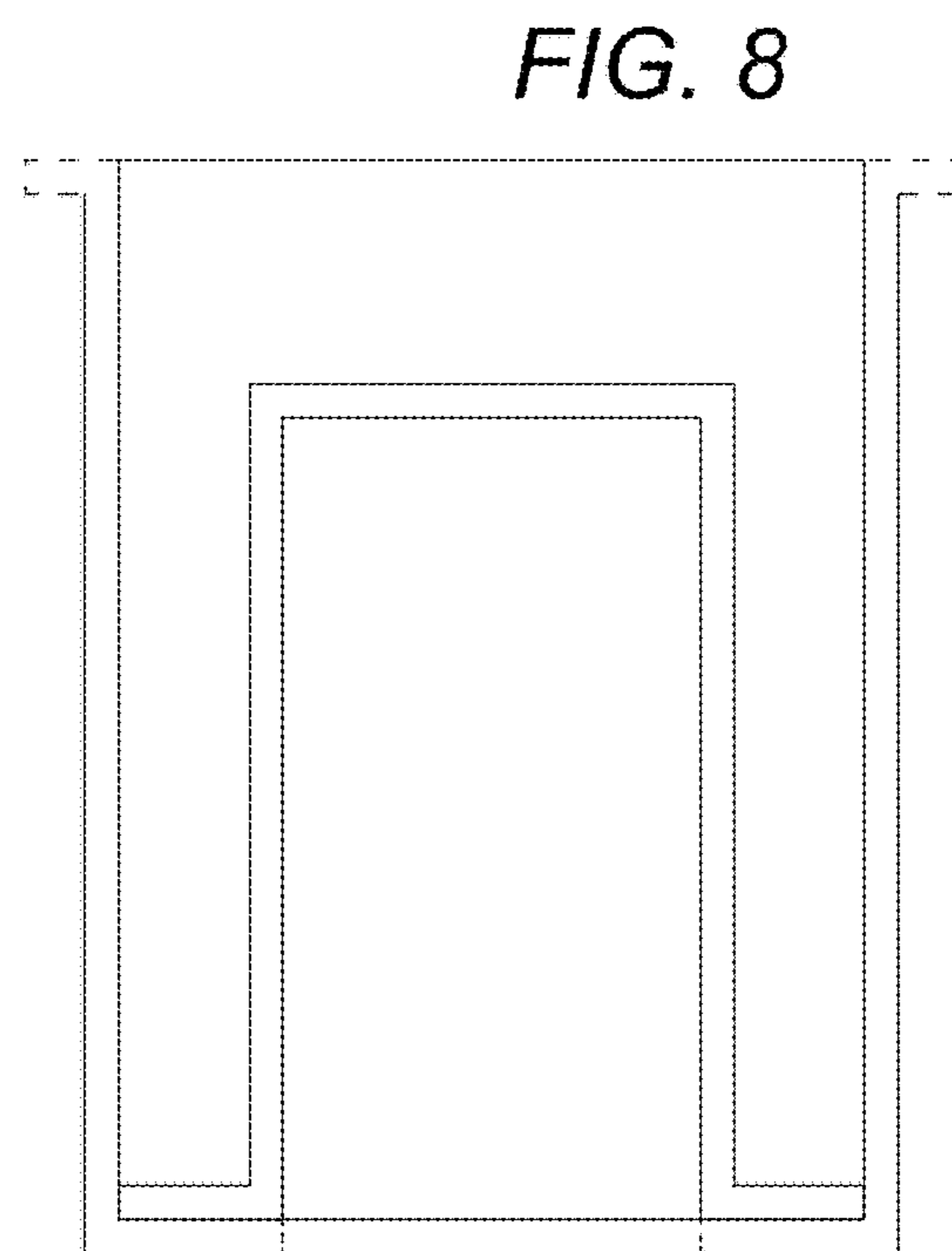


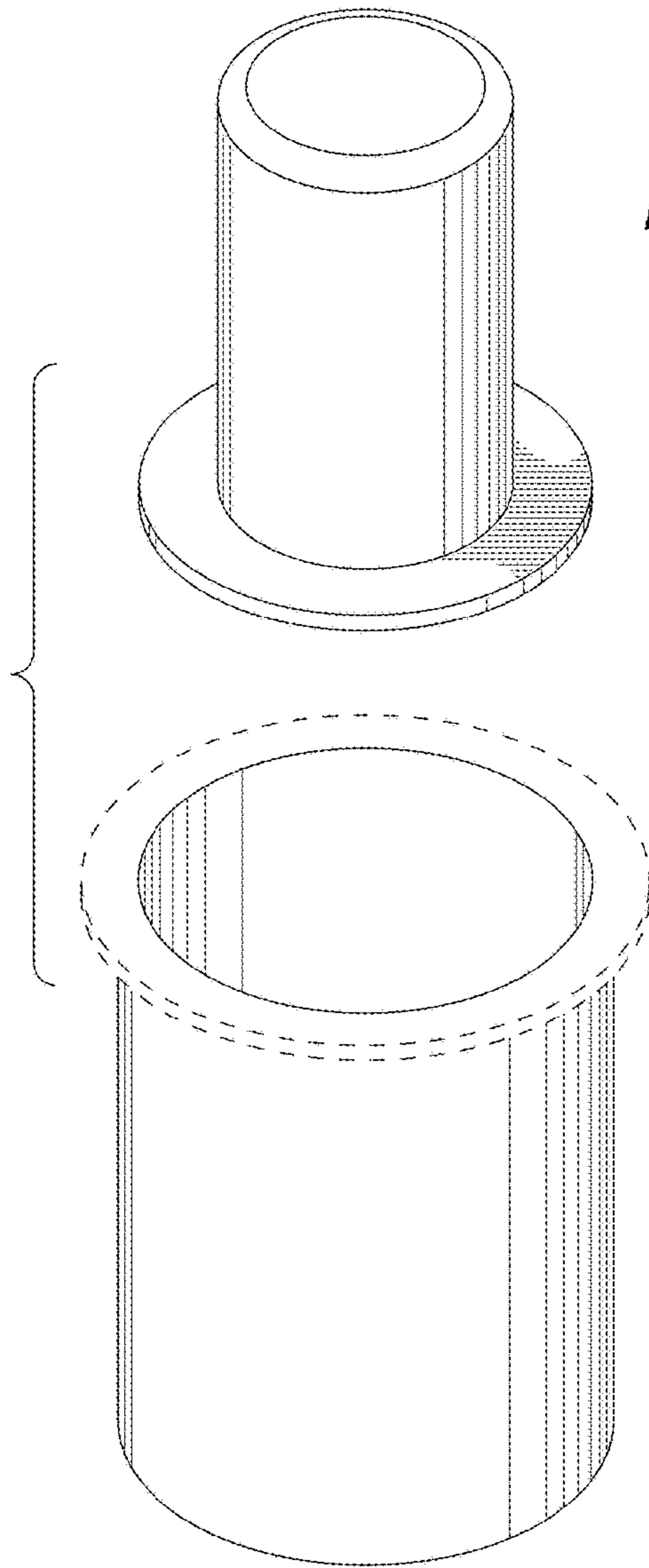
FIG. 6



*FIG. 7*



*FIG. 8*



*FIG. 9*

*FIG. 10*

