



US00D824715S

(12) **United States Design Patent** (10) **Patent No.:** **US D824,715 S**  
**Bradshaw et al.** (45) **Date of Patent:** **\*\* Aug. 7, 2018**

(54) **CARAFE**  
(71) Applicant: **Spectrum Brands, Inc.**, Middleton, WI (US)  
(72) Inventors: **Luke Charles Bradshaw**, Kalmar (SE); **Francisco Javier Barquin**, Madison, WI (US)

D677,118 S 3/2013 Rosenfeld  
D686,864 S \* 7/2013 Poul ..... D7/317  
D714,581 S \* 10/2014 Shao ..... D7/312  
D719,777 S 12/2014 Metaxatos et al.  
D751,850 S 3/2016 Kunz  
D751,851 S 3/2016 Kunz  
D796,887 S \* 9/2017 Horimoto ..... D7/319

(73) Assignee: **Spectrum Brands, Inc.**, Middleton, WI (US)  
(\*\*) Term: **15 Years**

**FOREIGN PATENT DOCUMENTS**

CN 300711498 11/2007  
CN 300731690 1/2008  
CN 300731691 1/2008  
CN 300731692 1/2008  
CN 300731694 1/2008  
EM 001912601-0014 9/2011  
EM 003459676-0001 11/2016

(21) Appl. No.: **29/596,840**  
(22) Filed: **Mar. 10, 2017**  
(51) **LOC (11) Cl.** ..... **07-01**  
(52) **U.S. Cl.**  
USPC ..... **D7/318**; D7/300  
(58) **Field of Classification Search**  
USPC ..... D7/316-321, 378, 384, 598, 600, 619.1, D7/622; D9/544, 545, 548, 549  
CPC ..... A47J 31/00; A47G 19/22  
See application file for complete search history.

\* cited by examiner

*Primary Examiner* — Daniel D Bui  
*Assistant Examiner* — Andrew Kerr  
(74) *Attorney, Agent, or Firm* — Banner & Witcoff, Ltd.

(57) **CLAIM**

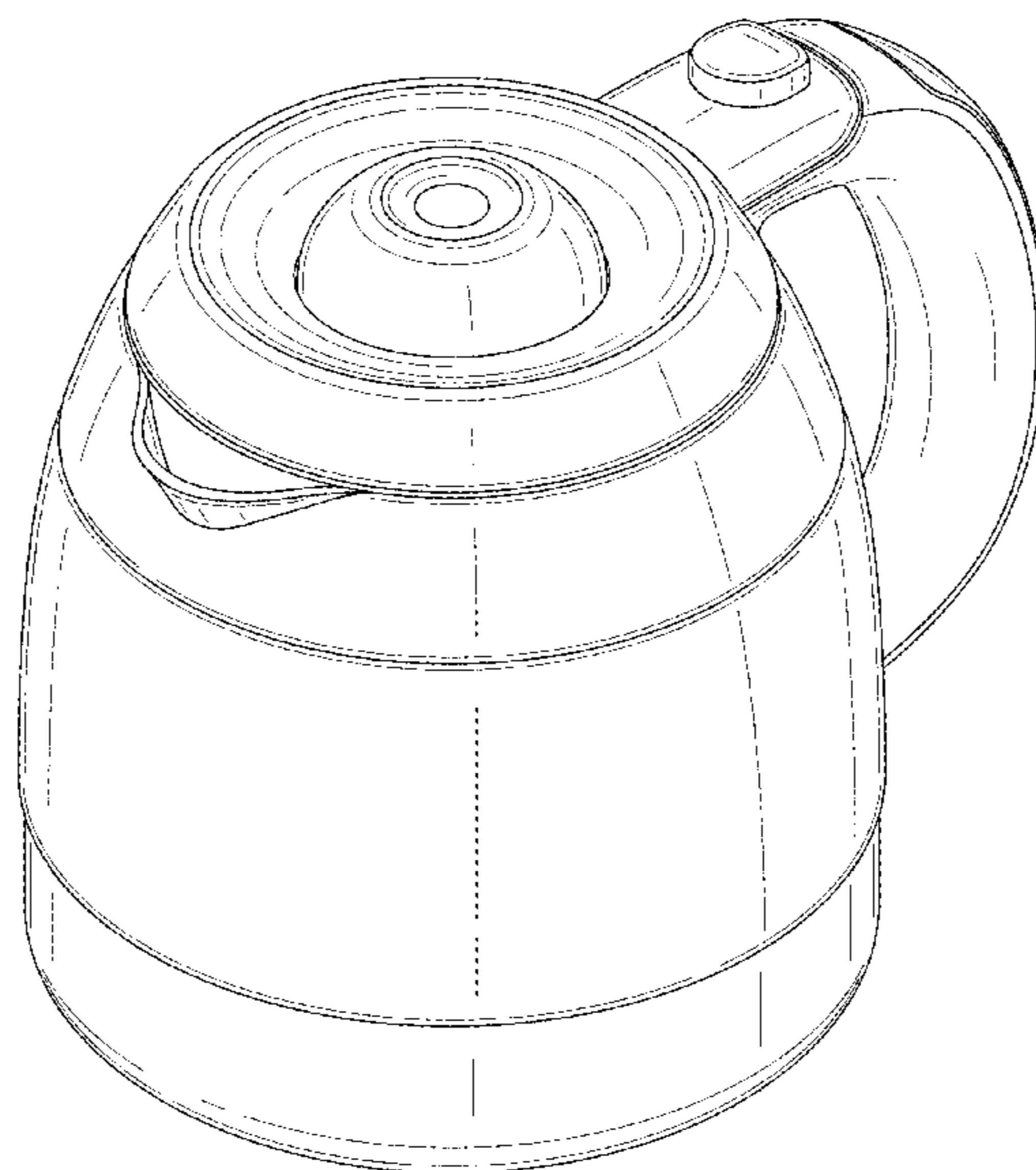
The ornamental design for a carafe, as shown and described.

**DESCRIPTION**

FIG. 1 is a front perspective view of a carafe showing our new design;  
FIG. 2 is a front view thereof;  
FIG. 3 is a rear view thereof;  
FIG. 4 is a right side view thereof;  
FIG. 5 is a left side view thereof;  
FIG. 6 is a top view thereof; and,  
FIG. 7 is a bottom view thereof.  
The broken line showing of the bottom surface region of the carafe represents unclaimed subject matter and forms no part of the claimed design. The unshaded central circular region in FIGS. 1 and 6 forms no part of the claimed design.

(56) **References Cited**  
U.S. PATENT DOCUMENTS  
D326,206 S 5/1992 Rakocy et al.  
D339,712 S 9/1993 Bunn et al.  
D369,058 S 4/1996 Simmons  
D389,369 S 1/1998 Hippen  
D442,014 S 5/2001 Haring et al.  
D444,204 S \* 6/2001 Hilgers ..... D23/207  
D454,025 S 3/2002 Kopczewski et al.  
6,561,390 B2 \* 5/2003 Boyte ..... A47G 19/14  
220/737  
D481,254 S 10/2003 Lin  
D643,242 S 8/2011 Butler  
D668,095 S \* 10/2012 Green ..... D7/317

**1 Claim, 7 Drawing Sheets**



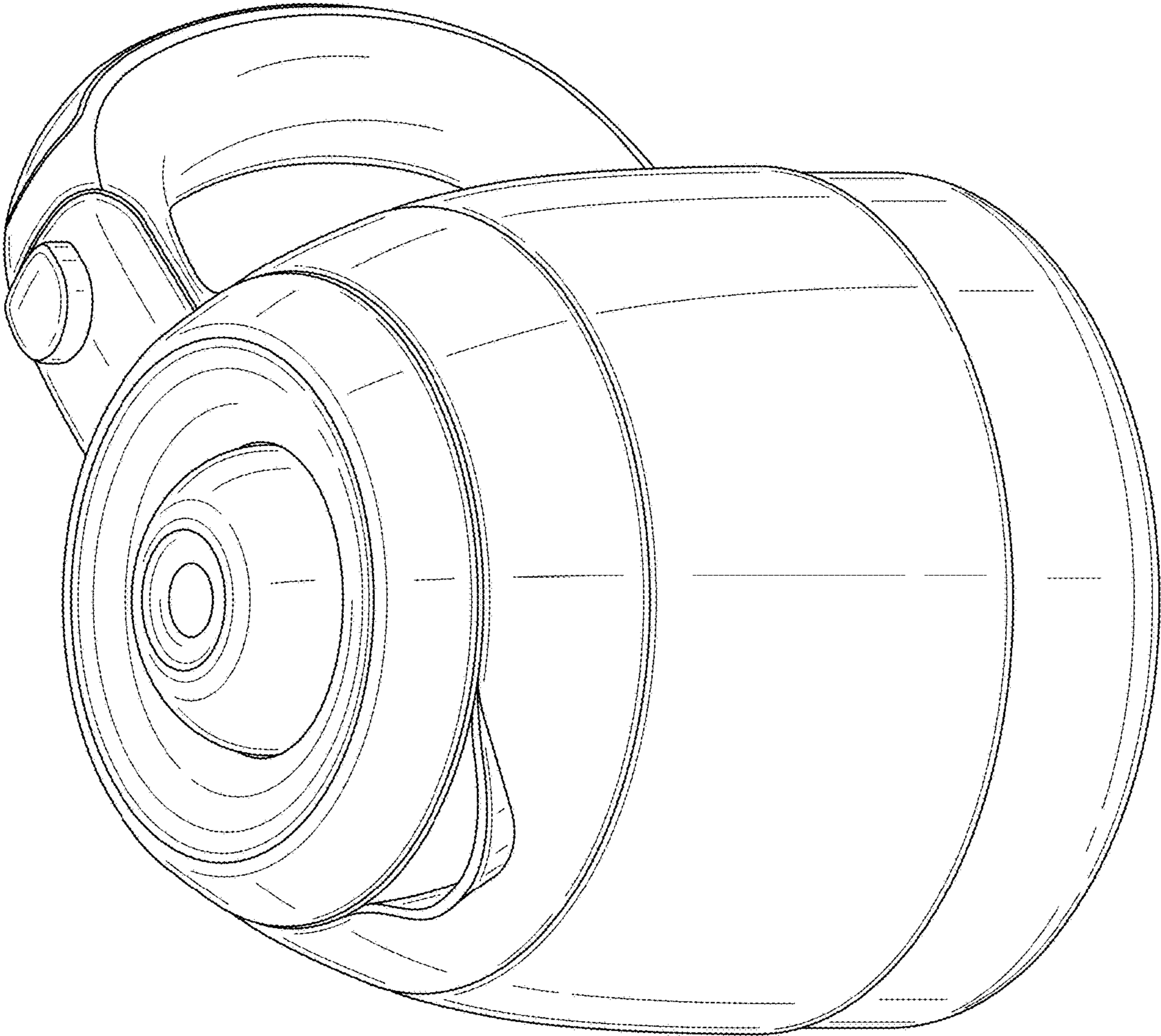


FIG. 1

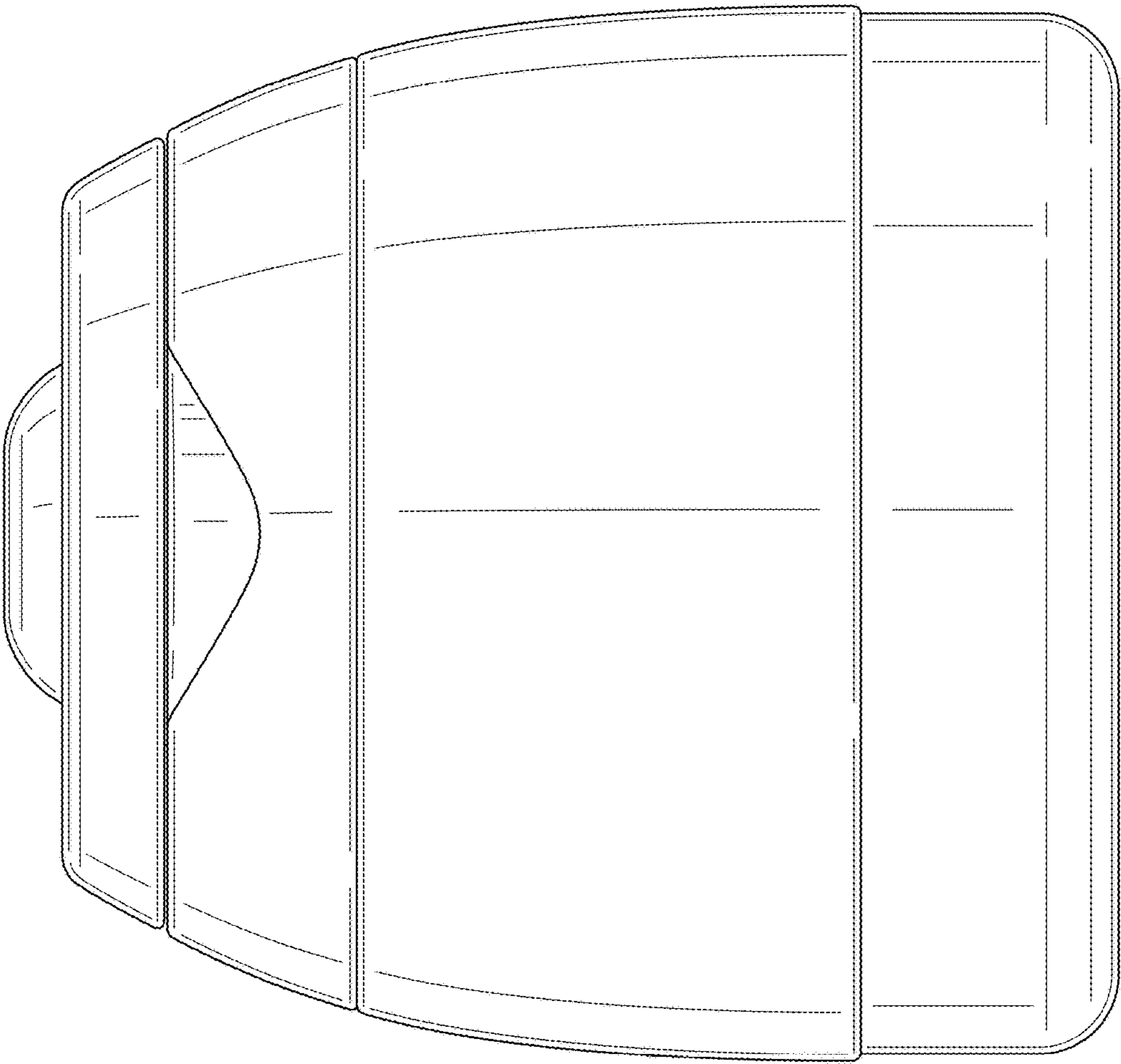


FIG. 2

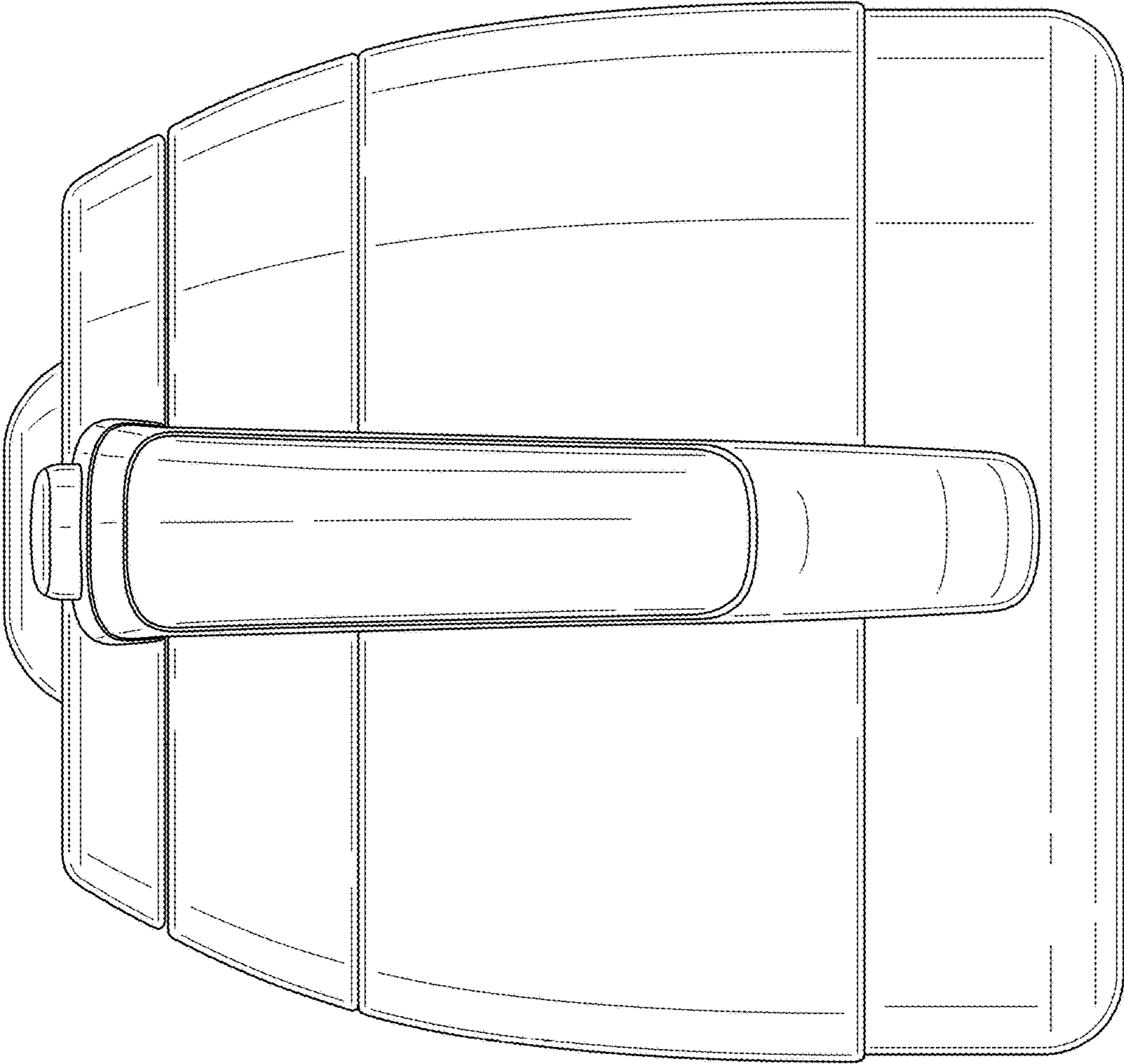


FIG. 3

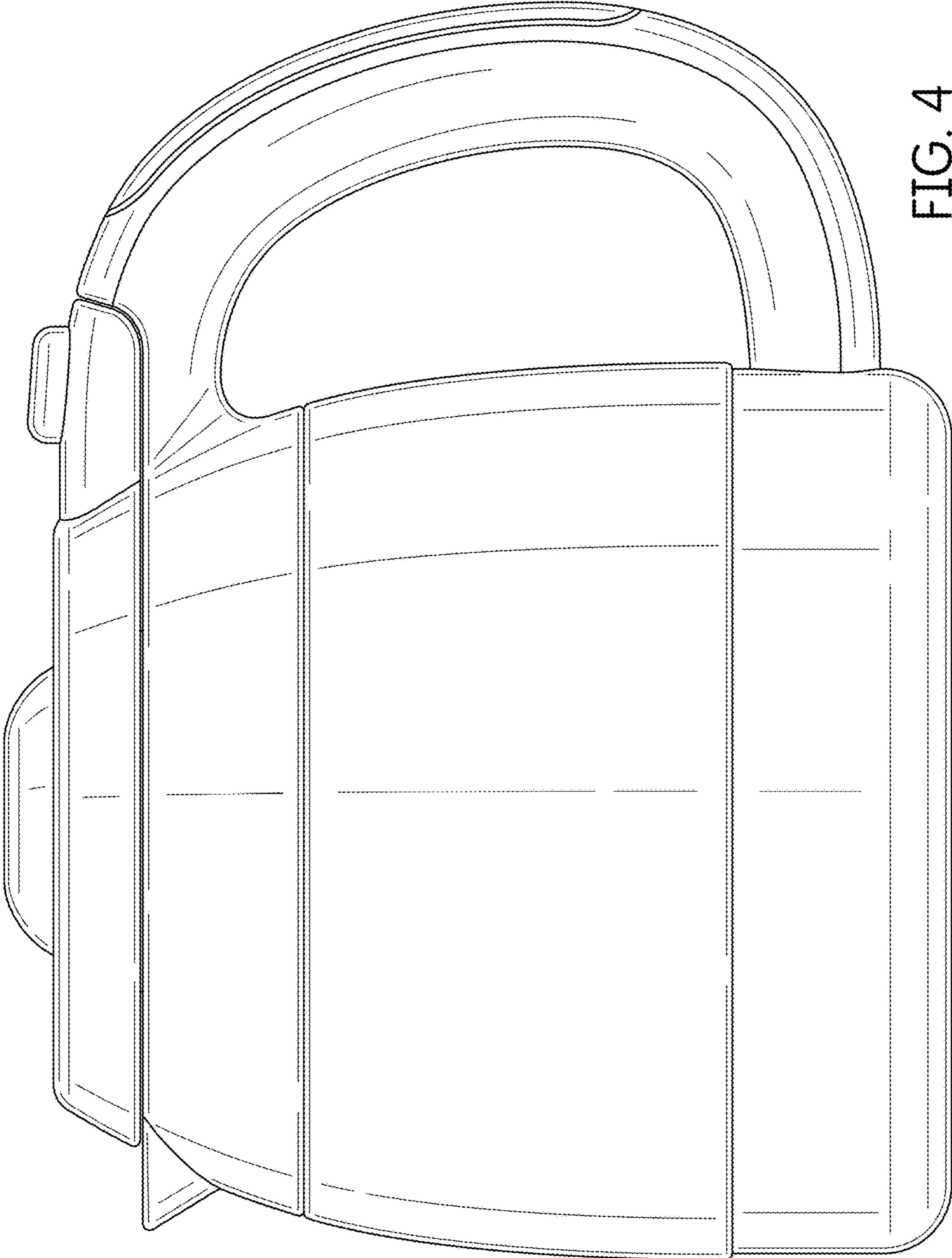


FIG. 4

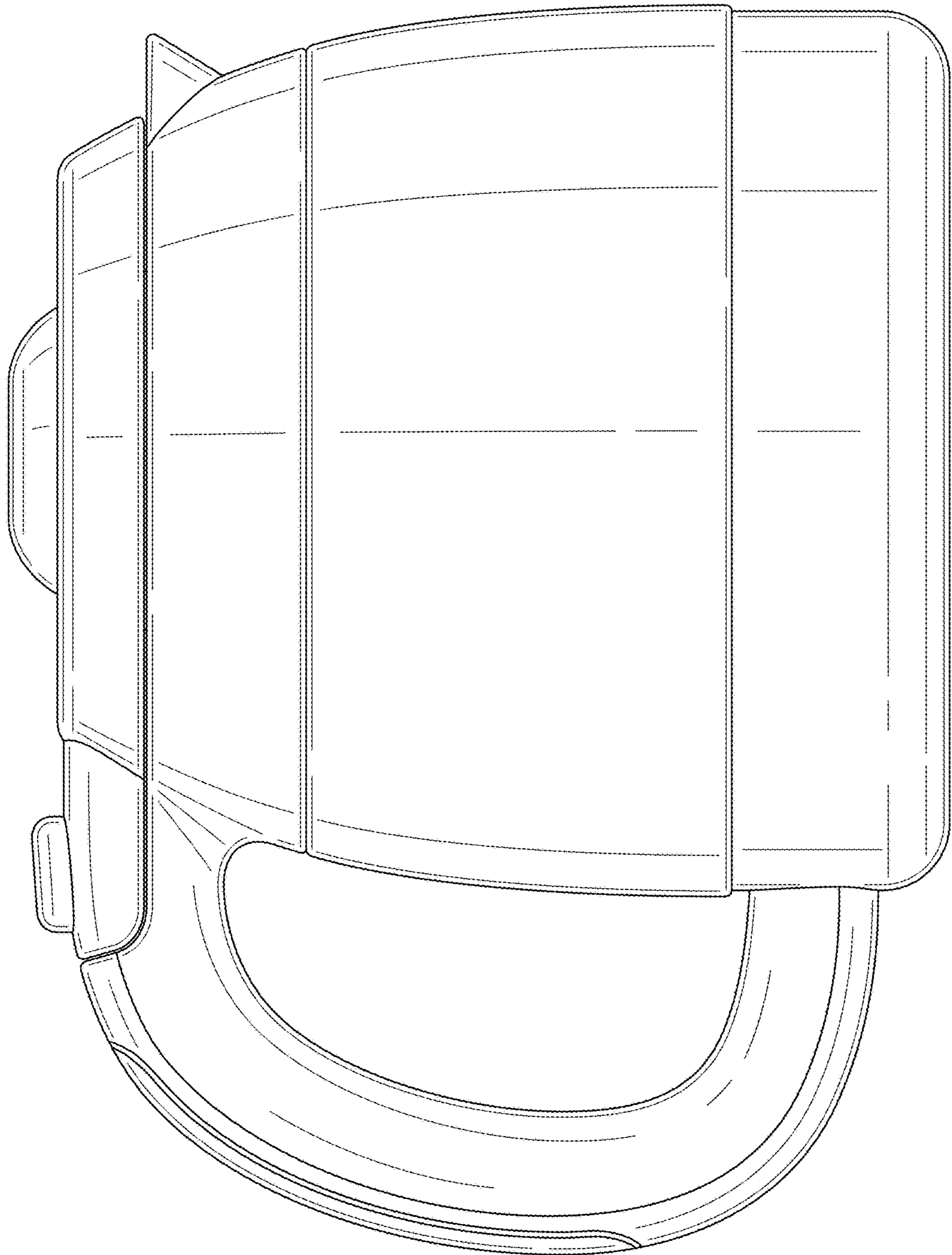


FIG. 5

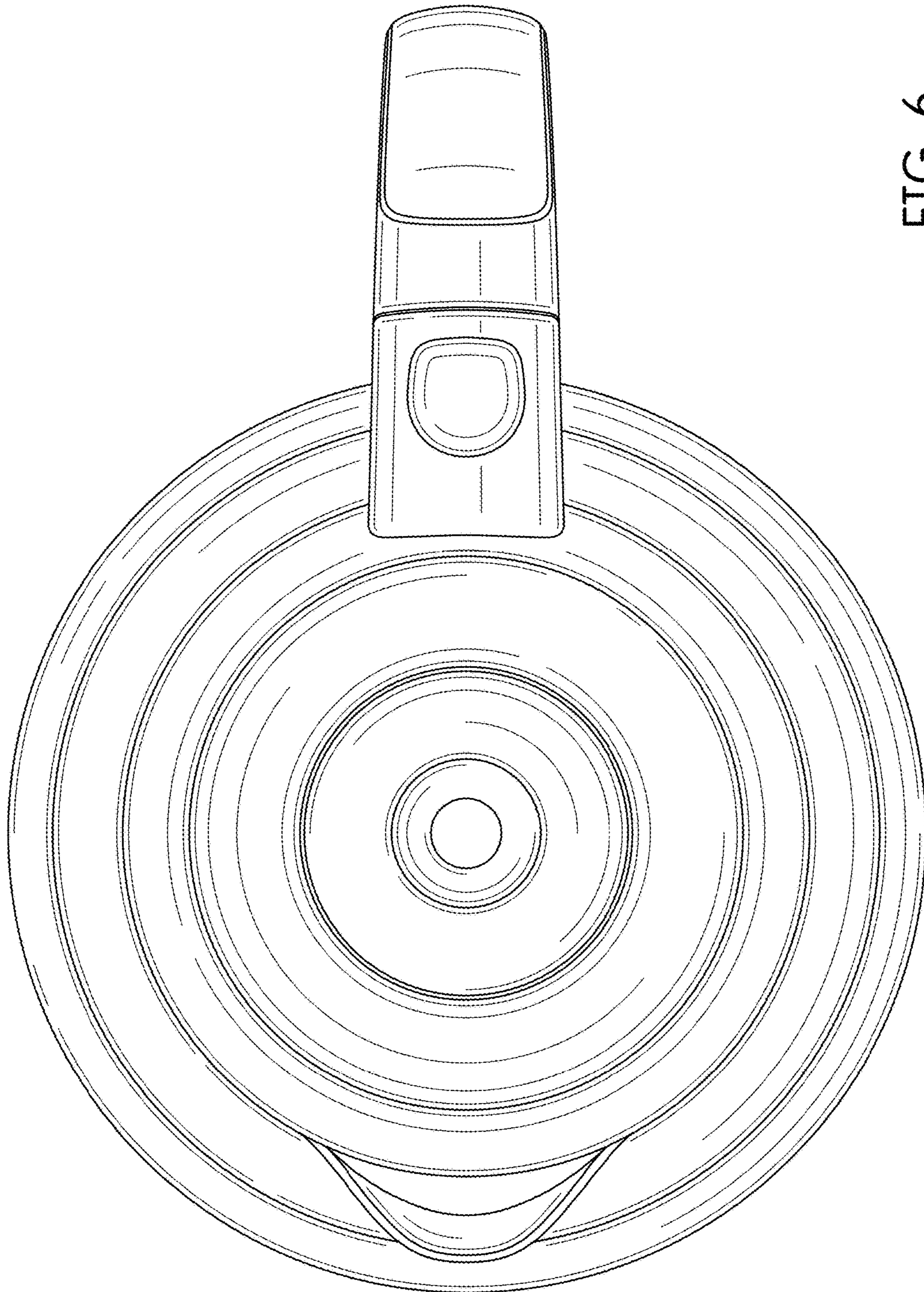


FIG. 6

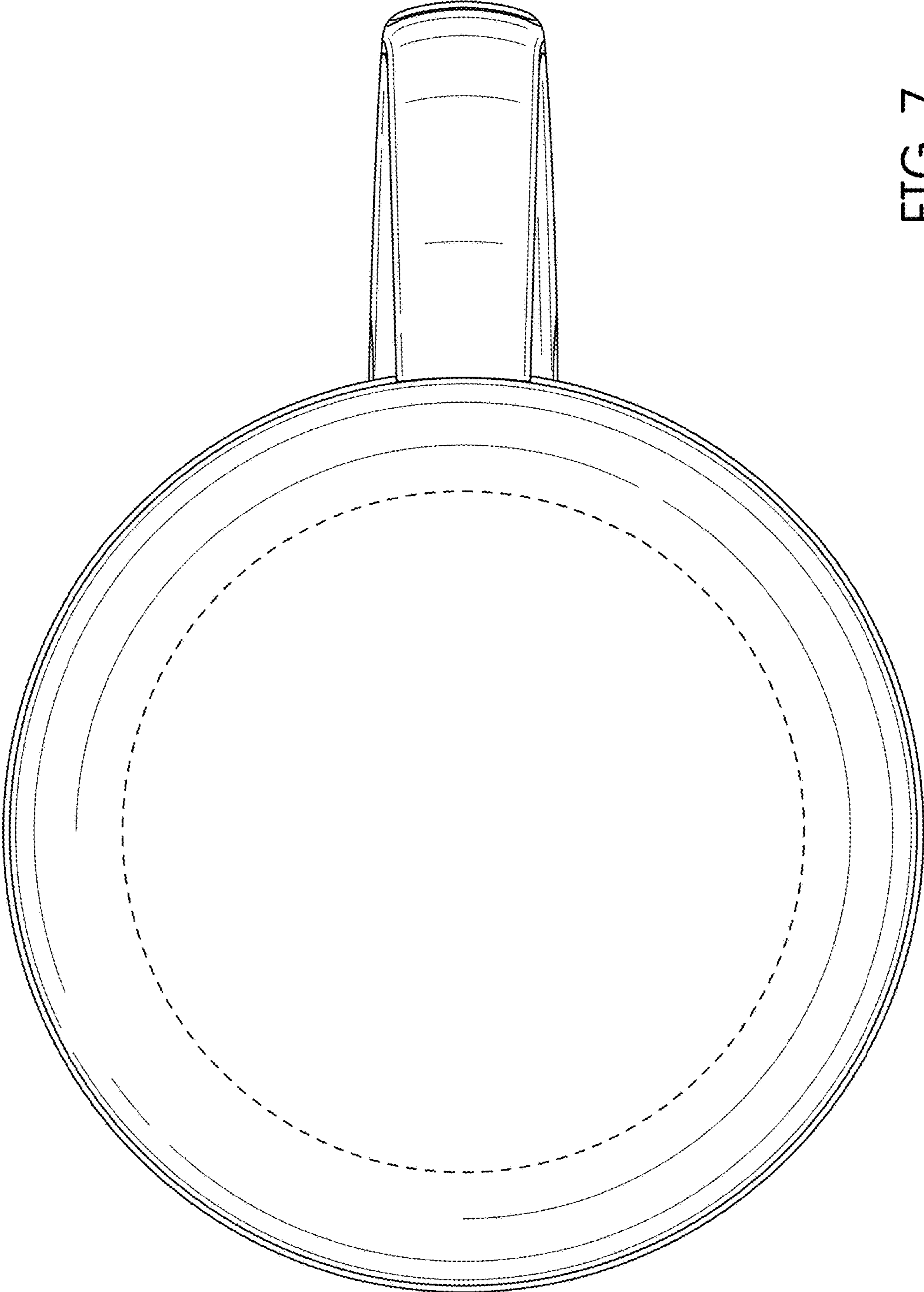


FIG. 7