



US00D824714S

(12) **United States Design Patent** (10) **Patent No.:** **US D824,714 S**
Bodum (45) **Date of Patent:** **** Aug. 7, 2018**

(54) **ELECTRIC COFFEE MAKER** 2,747,749 A * 5/1956 Shore D06F 57/04
211/167
(71) Applicant: **PI-Design AG**, Triengen (CH) 2,824,509 A * 2/1958 Trogden A47J 31/0576
99/292
(72) Inventor: **Jorgen Bodum**, Meggen (CH) 2,993,629 A 7/1961 Runke
3,145,708 A 8/1964 Fischer
3,154,227 A 10/1964 Anderson et al.
(73) Assignee: **PI-Design AG**, Triengen (CH) 3,316,388 A * 4/1967 Wickenberg A47J 31/047
219/436
(**) Term: **15 Years** 3,516,580 A 6/1970 Hester
3,800,988 A 4/1974 Karlen et al.
4,094,449 A 6/1978 Schlegel et al.
(21) Appl. No.: **29/589,577** 4,140,252 A 2/1979 Karlen
(22) Filed: **Jan. 3, 2017** (Continued)

(30) **Foreign Application Priority Data**
Jul. 5, 2016 (WO) DM/091588
(51) **LOC (11) Cl.** **07-01**
(52) **U.S. Cl.**
USPC **D7/318**; D7/310
(58) **Field of Classification Search**
USPC D7/316-322, 598, 600, 310, 536, 507;
222/188, 465.1, 713; D23/209; 99/285,
99/304, 292
CPC A47J 31/106; A47J 31/50; A47J 45/0077;
A47J 31/053; A47J 31/20; A47J 31/02;
A47J 45/10; A47J 31/14; A47J 411/02;
A47J 31/38; A47J 31/306; A47G 3/0471;
A47G 19/12
See application file for complete search history.

FOREIGN PATENT DOCUMENTS

WO DM/087072 7/2015
WO DM/090192 4/2016

OTHER PUBLICATIONS

Bodum, U.S. Appl. No. 29/626,179, filed Nov. 15, 2017, 9 pages.
(Continued)

Primary Examiner — Marianne Pandozzi
(74) *Attorney, Agent, or Firm* — McDonnell Boehnen
Hulbert & Berghoff LLP

(57) **CLAIM**

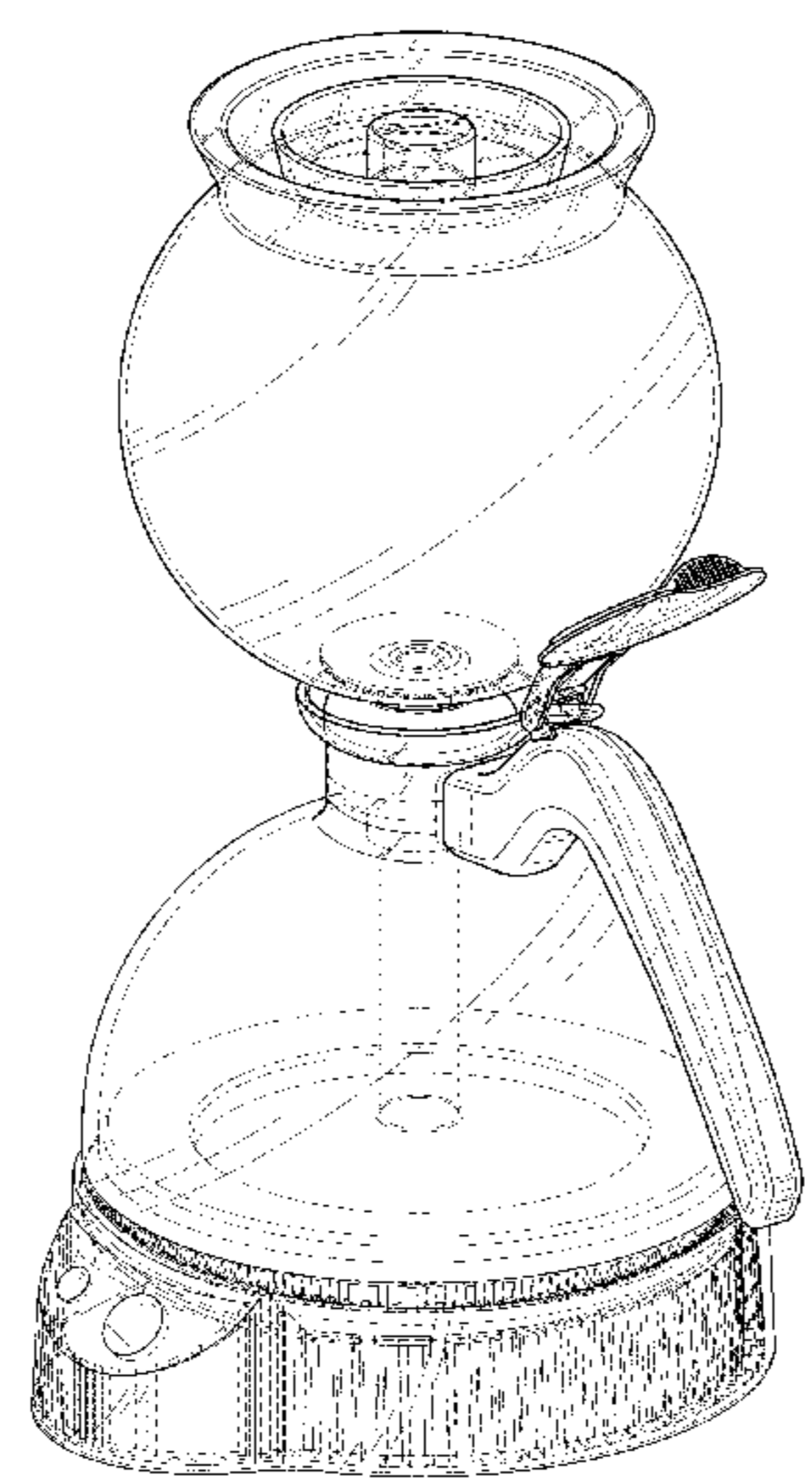
The ornamental design for an electric coffee maker, as shown and described.

DESCRIPTION

FIG. 1 is a perspective view of an electric coffee maker showing my new design;
FIG. 2 is a front view thereof;
FIG. 3 is a rear view thereof;
FIG. 4 is a left side view thereof;
FIG. 5 is a right side view thereof;
FIG. 6 is a top view thereof; and,
FIG. 7 is a bottom view thereof.

(56) **References Cited**
U.S. PATENT DOCUMENTS
1,977,364 A * 10/1934 Wolcott A47J 45/077
215/396
2,176,081 A * 10/1939 Kise A47J 31/106
392/334
2,181,578 A * 11/1939 Cory A47J 31/0605
99/299
D125,266 S * 2/1941 Felver D7/310
D140,157 S * 1/1945 Chapman D7/310

1 Claim, 7 Drawing Sheets



(56)

References Cited

U.S. PATENT DOCUMENTS

D259,613	S	6/1981	Sun	
4,629,866	A	12/1986	Proctor	
4,793,245	A *	12/1988	Kimura	A47J 31/047 99/292
4,858,787	A	8/1989	Stone	
D315,452	S	3/1991	Bunn et al.	
5,025,939	A	6/1991	Bunn et al.	
5,111,975	A	5/1992	Roberts	
D336,587	S *	6/1993	Goldstein	D7/310
5,224,634	A	7/1993	Graham	
5,892,204	A *	4/1999	McNair	A47J 31/047 219/431
D453,278	S *	2/2002	Chen	D7/309
D480,254	S	10/2003	Hirose	
D568,086	S *	5/2008	Brown	D7/317
D636,626	S	4/2011	Bandixen et al.	
D738,687	S	9/2015	Wampold	
D786,606	S *	5/2017	Bodum	D7/310
D787,252	S *	5/2017	Bodum	D7/317
D818,757	S *	5/2018	Bodum	D7/319

OTHER PUBLICATIONS

Bodum, U.S. Appl. No. 29/626,181, filed Nov. 15, 2017, 9 pages.
 PI-Design AG, U.S. Appl. No. 29/580,424, filed Oct. 10, 2016.
 PI-Design AG, U.S. Appl. No. 29/552,120, filed Jan. 20, 2016.
 Select portions of Bodum Collection Catalogue, Jan. 2015, 9 pages.
 PI-Design AG, U.S. Appl. No. 29/552,118, filed Jan. 20, 2016.
 PI-Design AG, U.S. Appl. No. 29/579,253, filed Sep. 29, 2016.

* cited by examiner

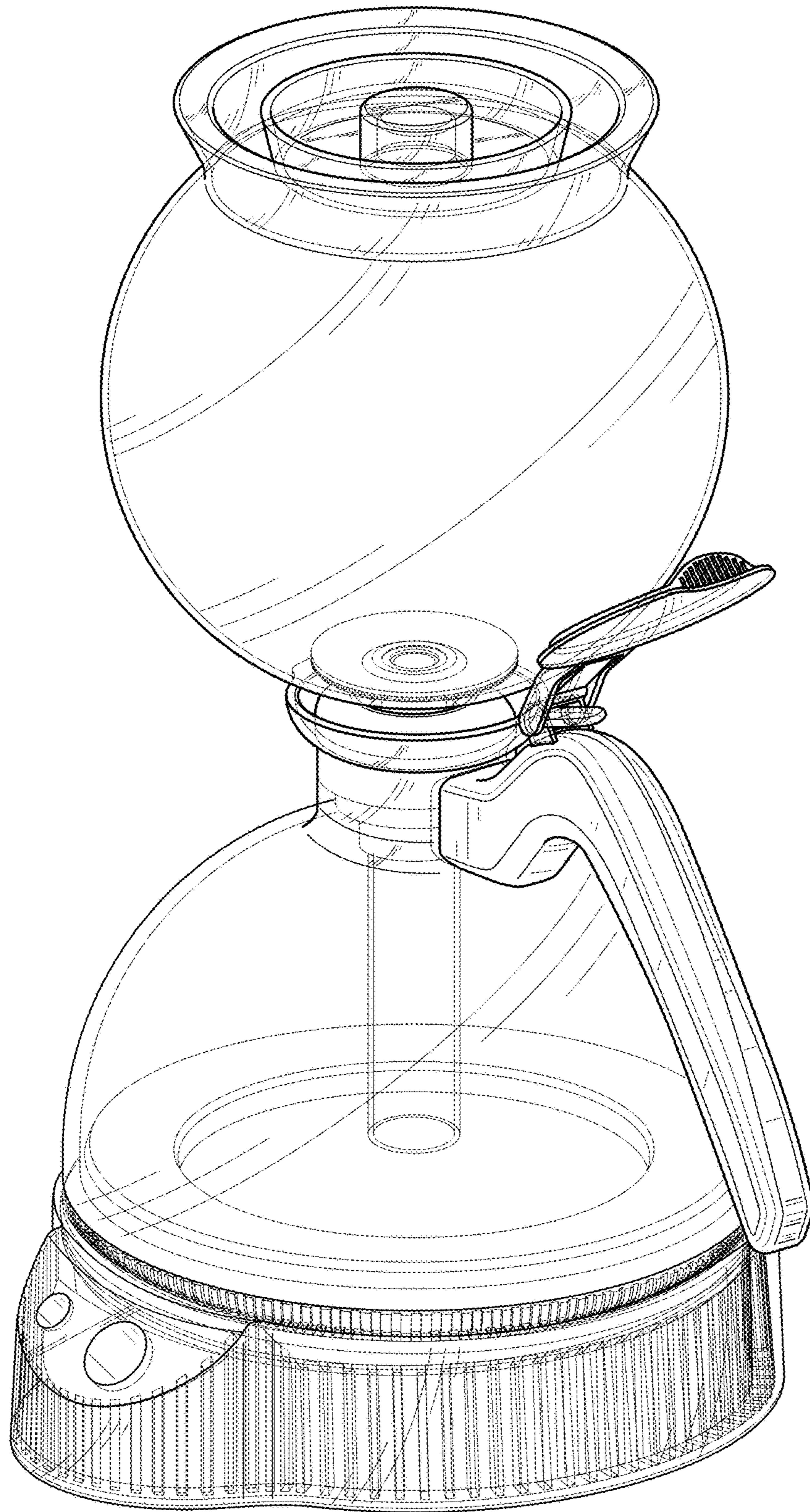


FIG. 1

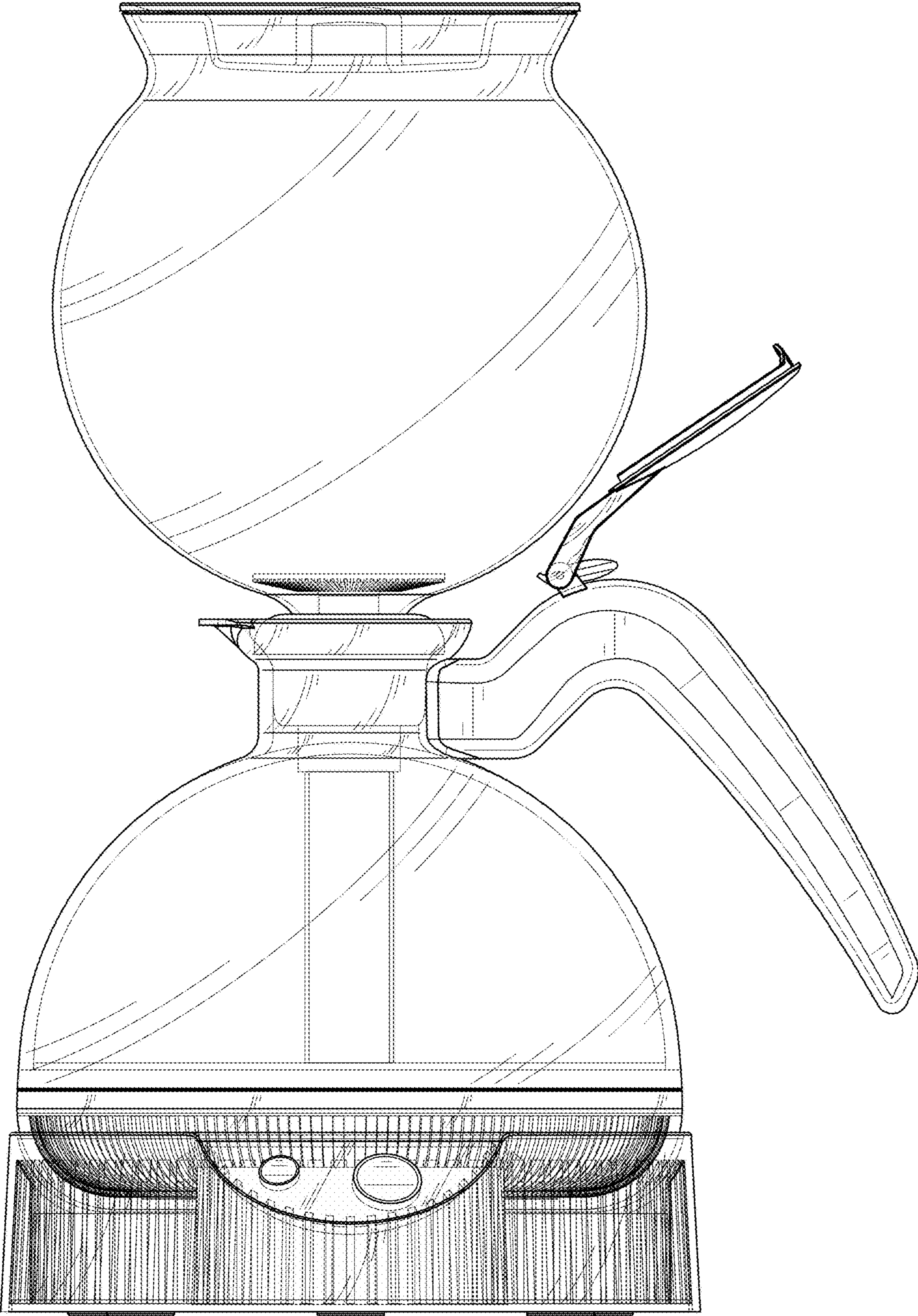


FIG. 2

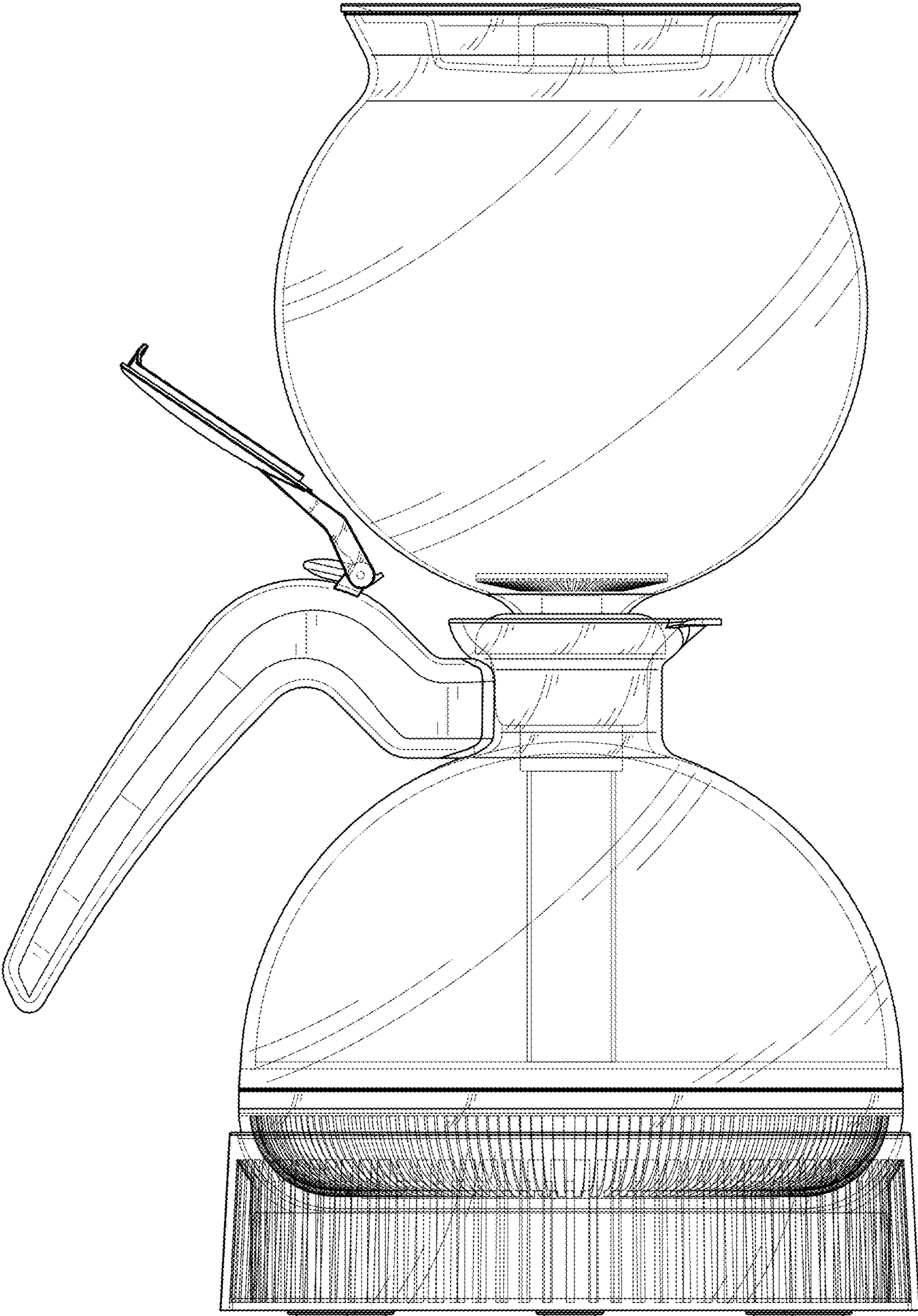


FIG. 3

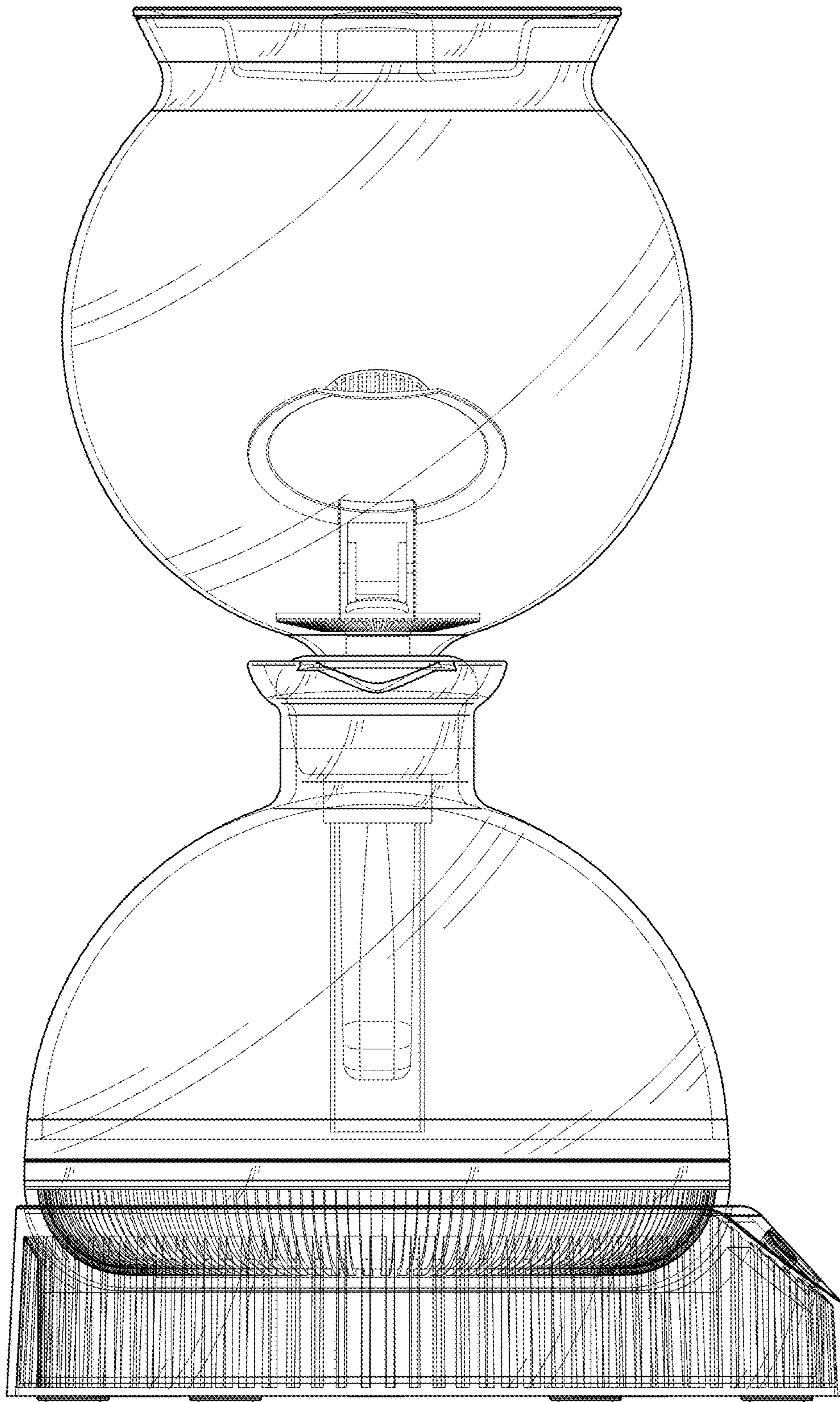


FIG. 4

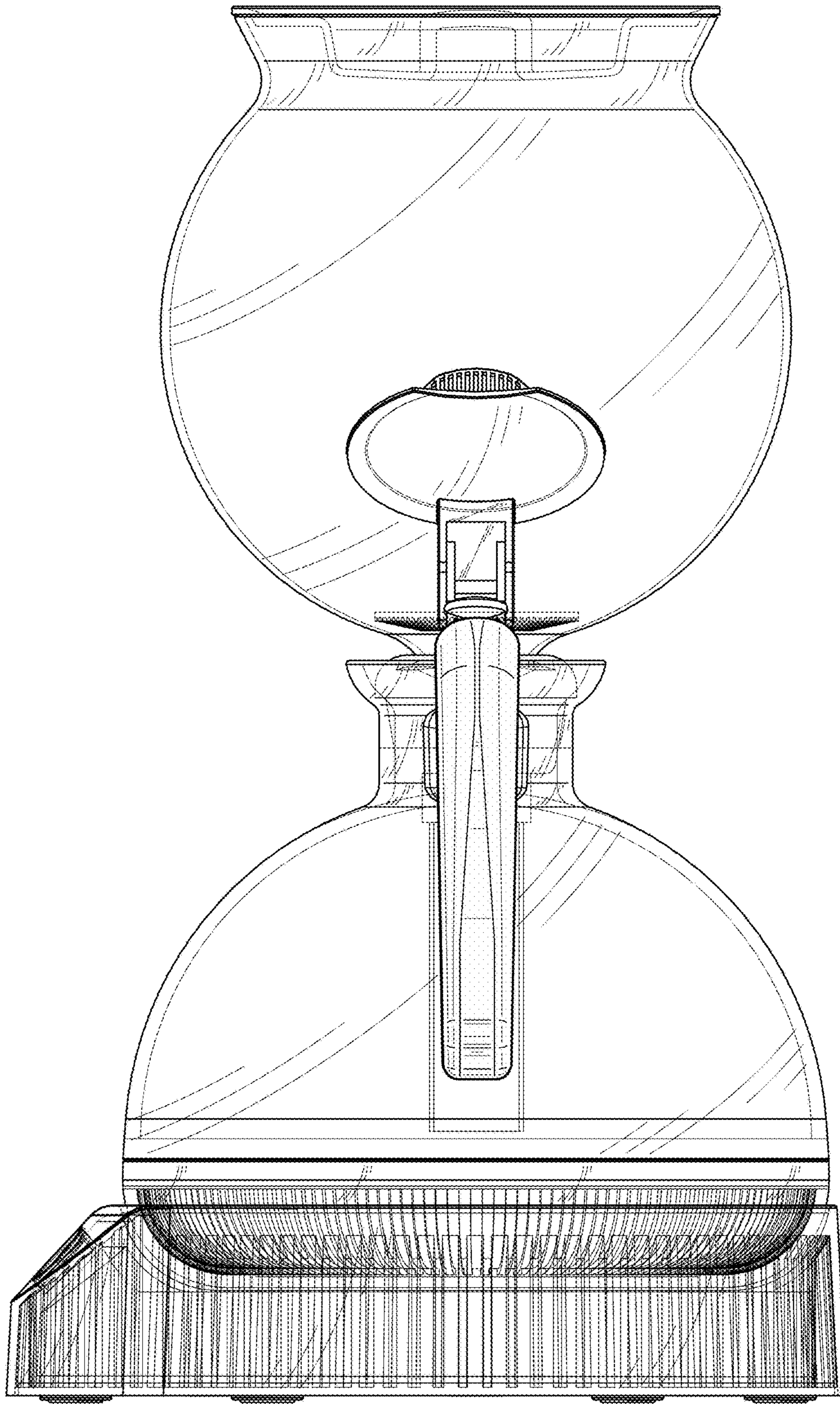


FIG. 5

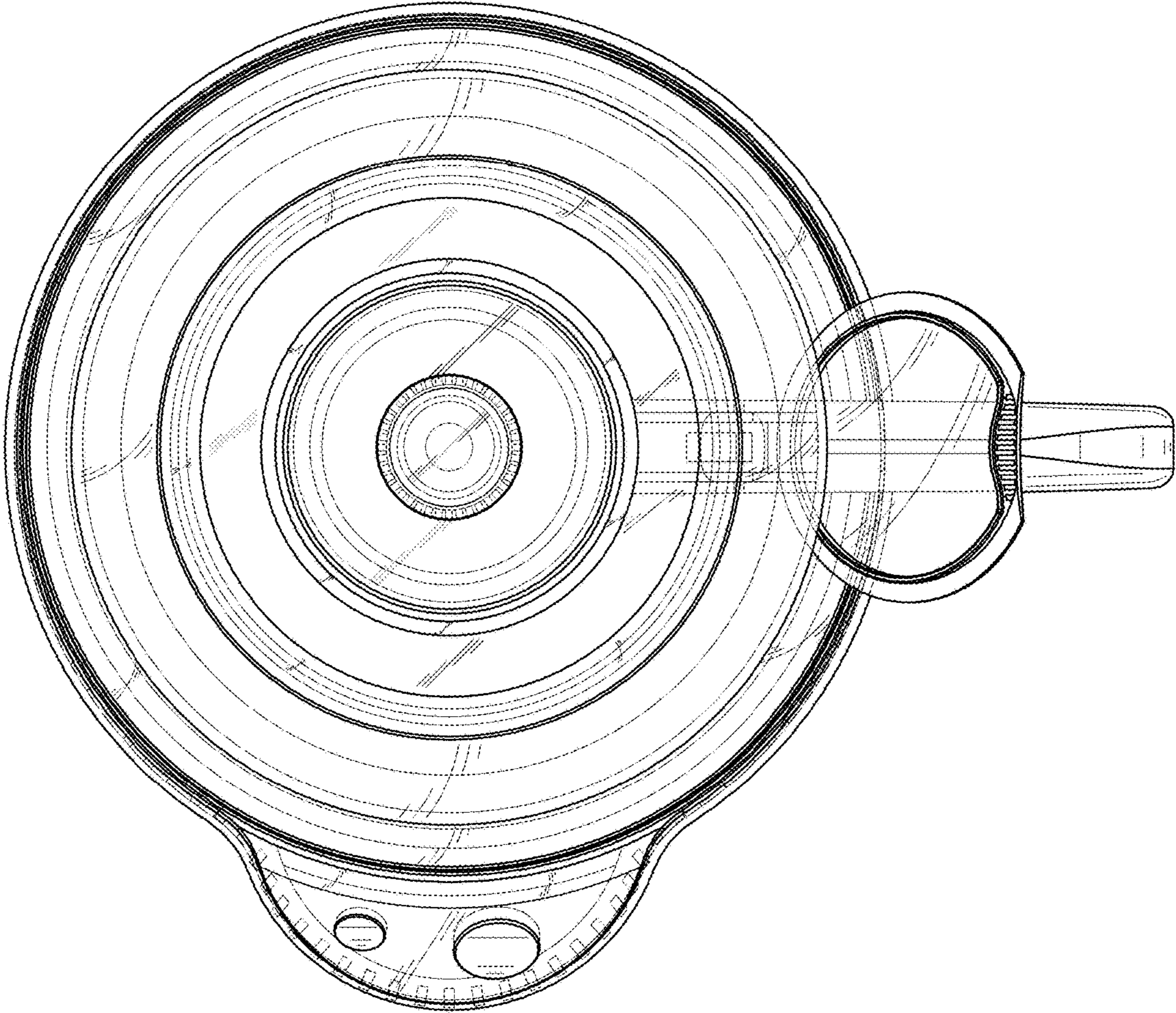


FIG. 6

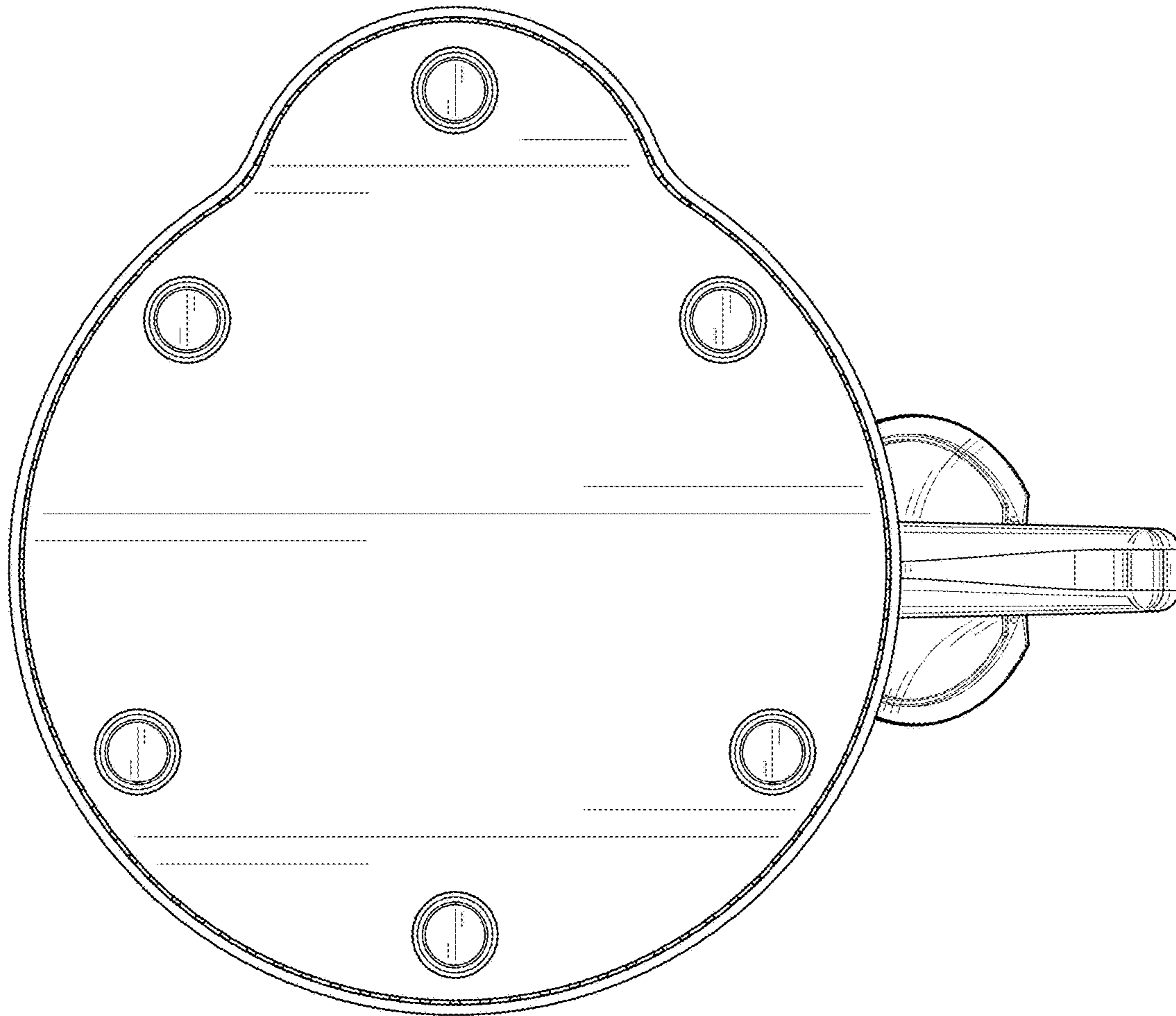


FIG. 7