



US00D824713S

(12) **United States Design Patent** (10) **Patent No.:** **US D824,713 S**  
**Steiner et al.** (45) **Date of Patent:** **\*\* Aug. 7, 2018**

- (54) **COFFEEMAKER**
- (71) Applicant: **Hamilton Beach Brands, Inc.**, Glen Allen, VA (US)
- (72) Inventors: **Mark C Steiner**, Midlothian, VA (US); **Mark K Romandy**, Midlothian, VA (US)
- (73) Assignee: **Hamilton Beach Brands, Inc.**, Glen Allen, VA (US)
- (\*\*) Term: **15 Years**
- (21) Appl. No.: **29/586,180**
- (22) Filed: **Dec. 1, 2016**
- (51) **LOC (11) Cl.** ..... **07-01**
- (52) **U.S. Cl.**  
USPC ..... **D7/309; D7/311**
- (58) **Field of Classification Search**  
USPC ..... D7/300, 309-311, 306-308, 305, 355, D7/362, 365, 367; 222/146.6, 185.1, 135; 99/295, 273, 304, 288, 279, 307, 283  
CPC ..... A47J 31/46; A47J 31/407; A47J 31/50; A47J 31/18; A47J 31/00; A47J 27/04; A47J 31/0573; A47J 31/52; A47J 31/0642; A47J 31/3628; A47J 31/4407  
See application file for complete search history.

- 6,367,370 B1 4/2002 Sham et al.
- 6,389,957 B1 5/2002 Sham et al.
- 6,439,106 B1 8/2002 Sham
- D514,369 S \* 2/2006 Littmann ..... D7/309
- 7,013,795 B2 3/2006 Mulle et al.
- 7,063,005 B1 6/2006 Sit
- D538,578 S 3/2007 McWilliam
- 7,201,098 B2 4/2007 Wang
- D555,413 S 11/2007 Lin
- 7,357,071 B2 \* 4/2008 Geroult ..... A47J 31/3619 99/285
- D594,688 S \* 6/2009 Hammad ..... D7/306
- D622,536 S \* 8/2010 Ågren ..... D7/309
- 8,042,455 B2 10/2011 Lebuffe et al.
- D654,755 S \* 2/2012 Gresko ..... D7/307
- 8,161,867 B2 4/2012 Dutertre et al.
- 8,739,687 B1 6/2014 Tackling et al.
- D737,091 S \* 8/2015 Gebhardt ..... D7/309
- D763,030 S \* 8/2016 Priley ..... D7/306
- D769,662 S \* 10/2016 Palermo ..... D7/306
- D778,098 S \* 2/2017 Horimoto ..... D7/306

(Continued)

Primary Examiner — Marianne Pandozzi

(74) Attorney, Agent, or Firm — Alexander D. Raring

(57) **CLAIM**

The ornamental design for a coffeemaker, as shown and described.

**DESCRIPTION**

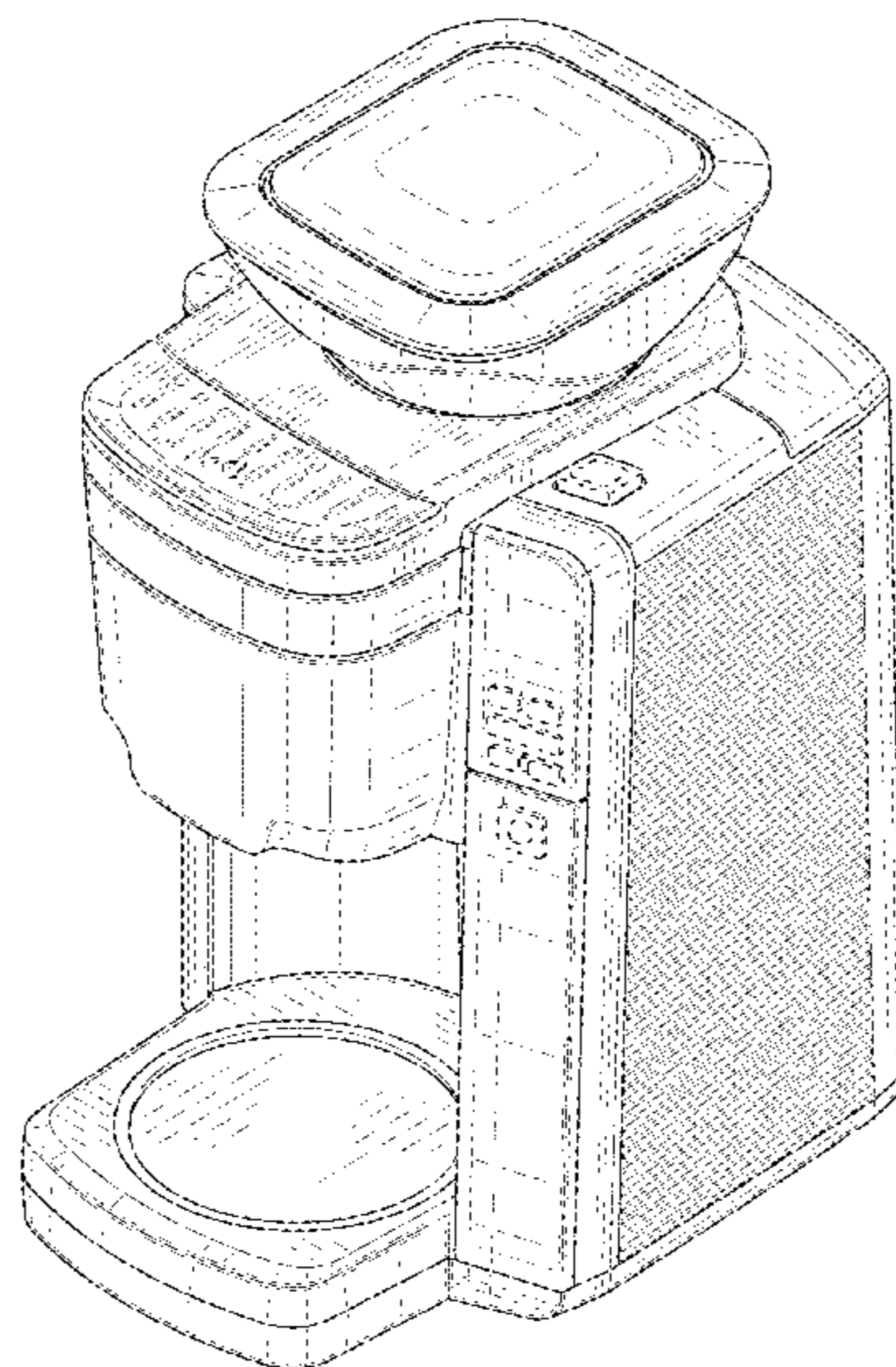
FIG. 1 is a top, right, and front perspective view of a coffeemaker showing my new design;  
 FIG. 2 is a front view thereof;  
 FIG. 3 is a rear view thereof;  
 FIG. 4 is a right side view thereof;  
 FIG. 5 is a left side view thereof;  
 FIG. 6 is a top view thereof; and,  
 FIG. 7 is a bottom view thereof.  
 The broken lines in the drawing depict portions of the coffeemaker that form no part of the claimed design.

**1 Claim, 7 Drawing Sheets**

(56) **References Cited**

U.S. PATENT DOCUMENTS

- 4,572,060 A 2/1986 Yung-Kuan
- 4,624,177 A 11/1986 Ito et al.
- D327,601 S \* 7/1992 Beeren ..... D7/309
- 5,463,932 A 11/1995 Olson
- 5,465,650 A 11/1995 Friedrich et al.
- 5,542,342 A 8/1996 McNeill et al.
- D409,875 S \* 5/1999 Alonge ..... D7/309
- 6,227,102 B1 5/2001 Sham et al.
- D445,292 S \* 7/2001 Sowden ..... D7/309



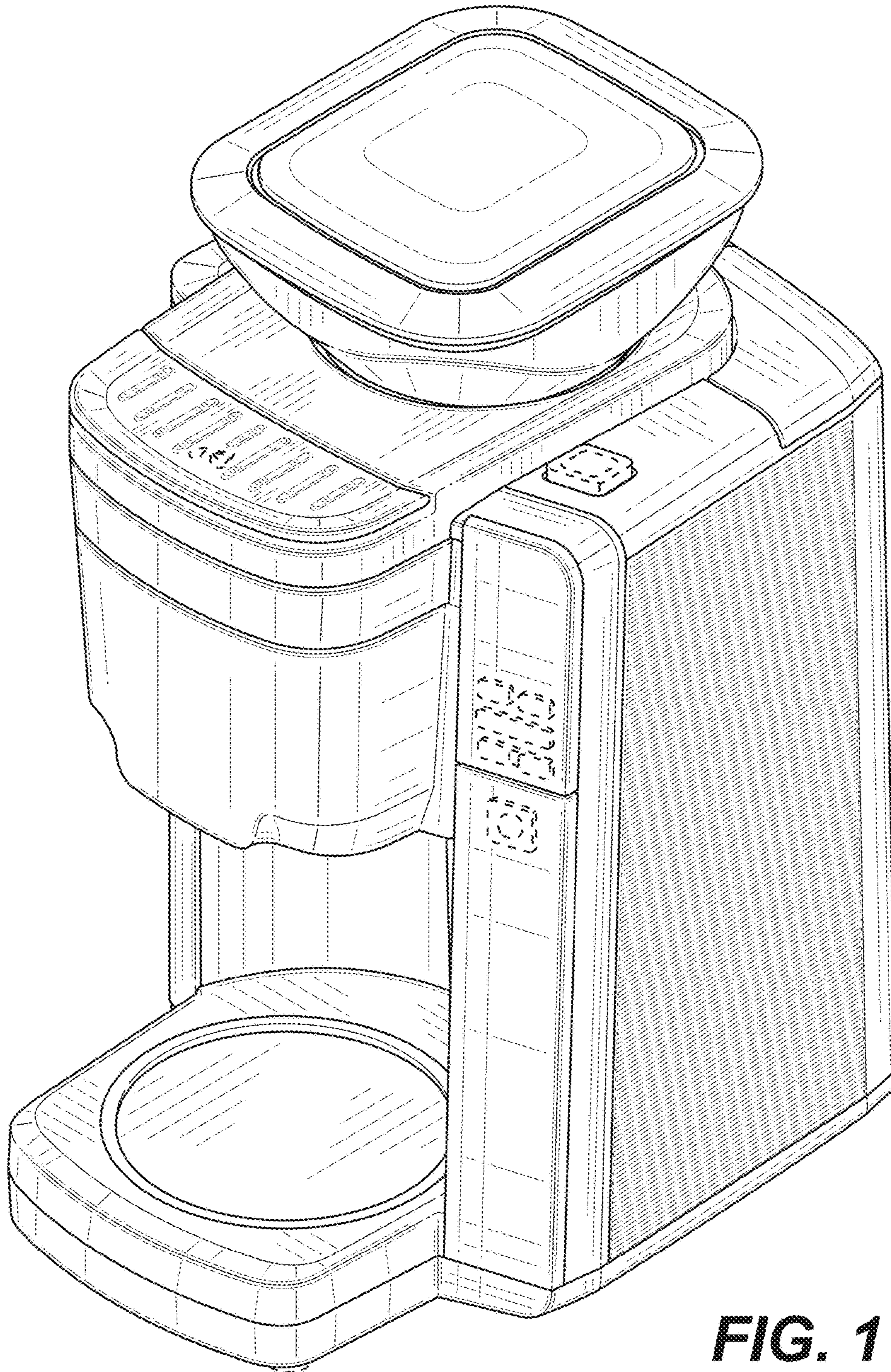
(56)

**References Cited**

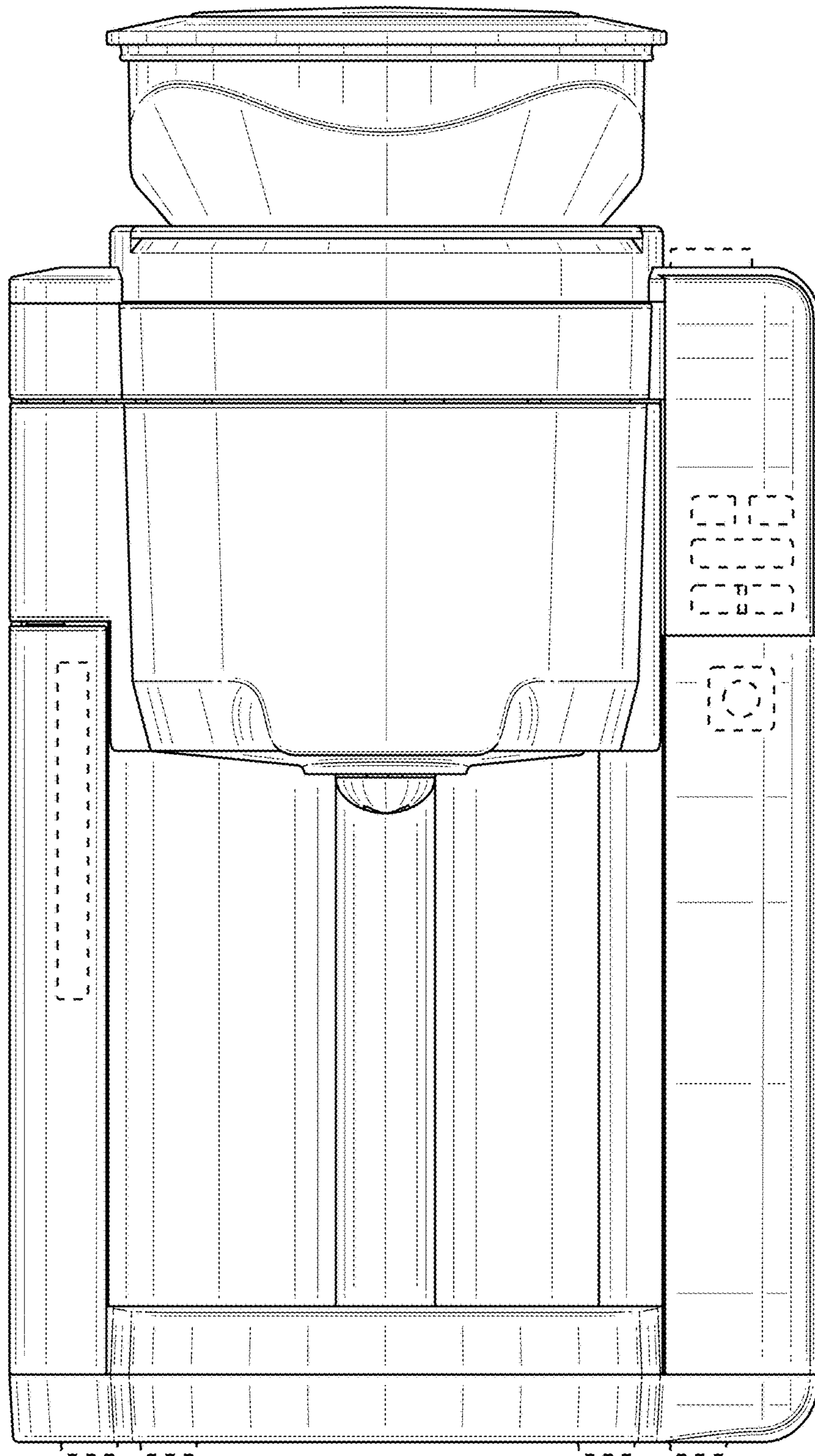
U.S. PATENT DOCUMENTS

D781,633	S	*	3/2017	Cahen .....	D7/306
D785,392	S	*	5/2017	Palermo .....	D7/306
D788,510	S	*	6/2017	Steiner .....	D7/306
D794,992	S	*	8/2017	Tsutsui .....	D7/307
D796,242	S	*	9/2017	Palermo .....	D7/307
D807,675	S	*	1/2018	De' Longhi .....	D7/309
2006/0219102	A1	*	10/2006	Geroult .....	A47J 31/3619 99/495
2009/0031900	A1		2/2009	Barradough et al.	

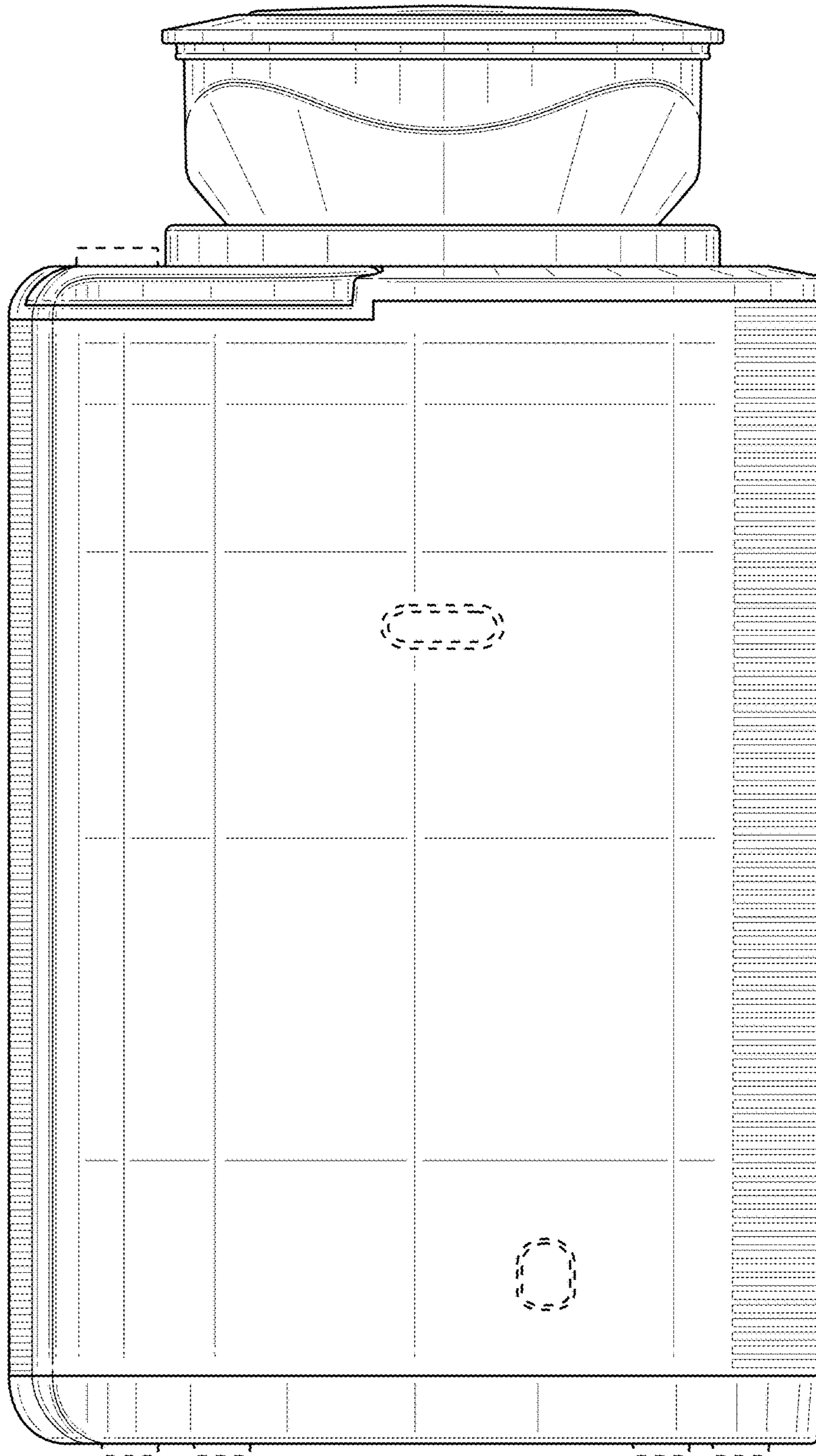
\* cited by examiner



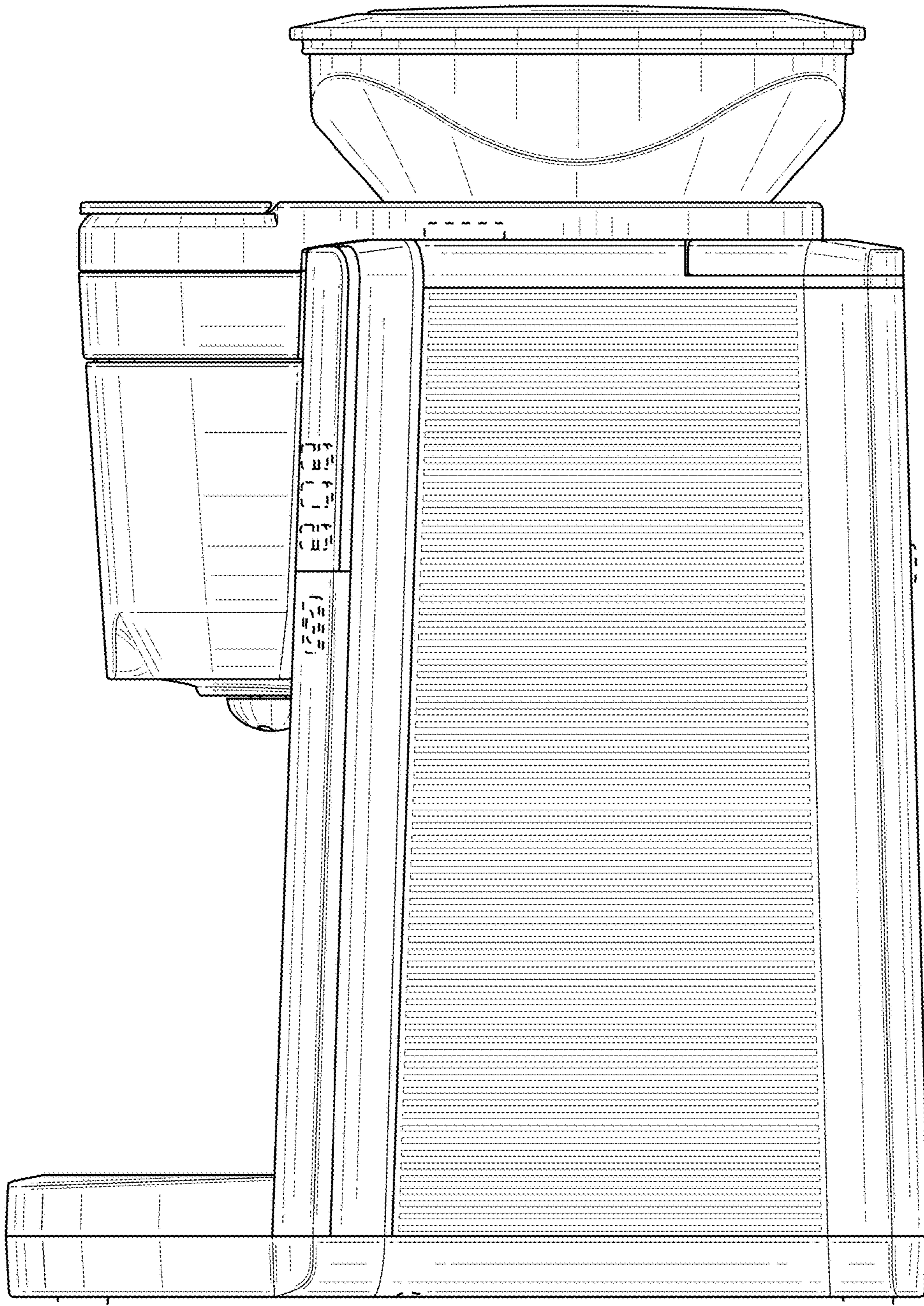
**FIG. 1**



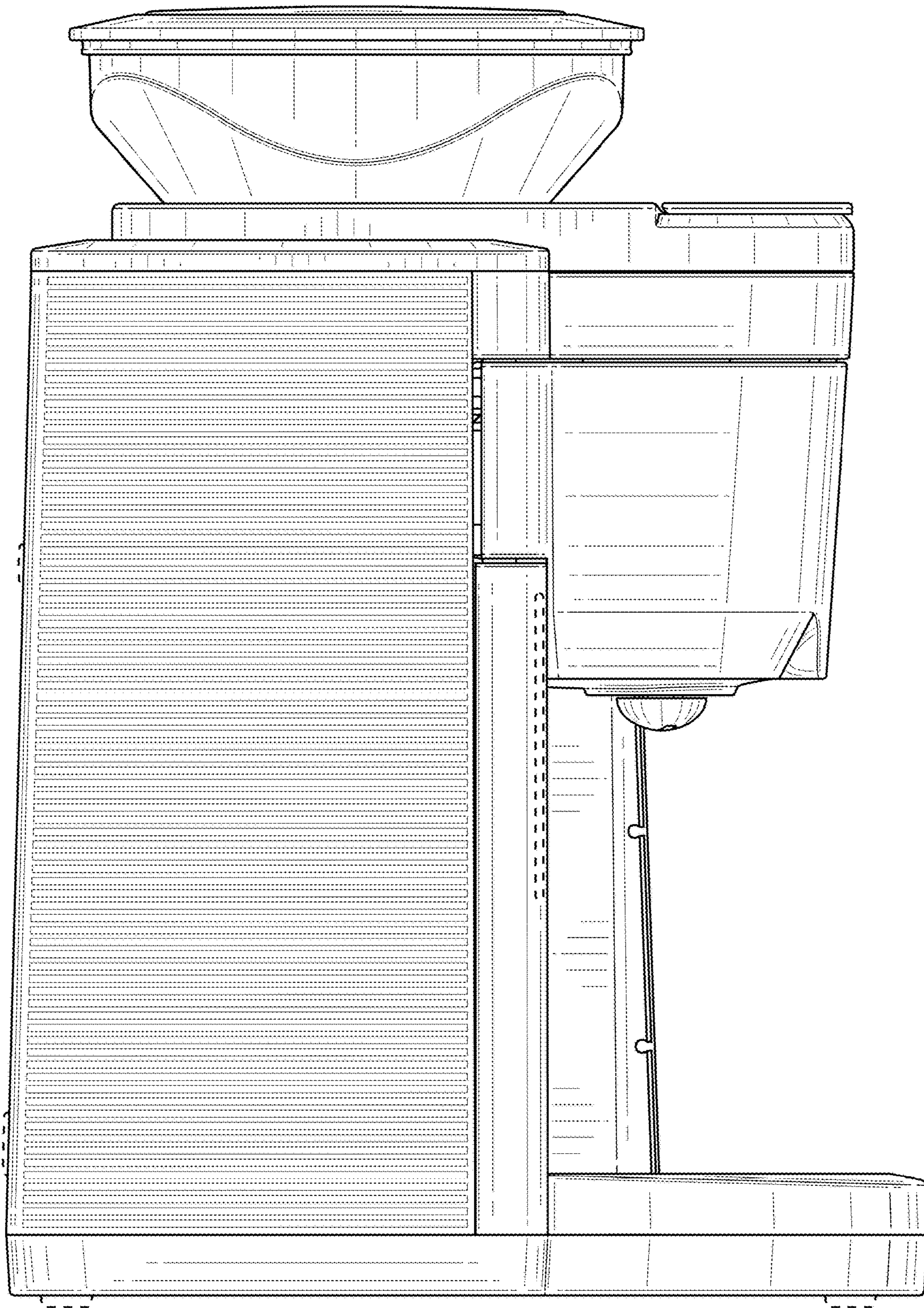
**FIG. 2**



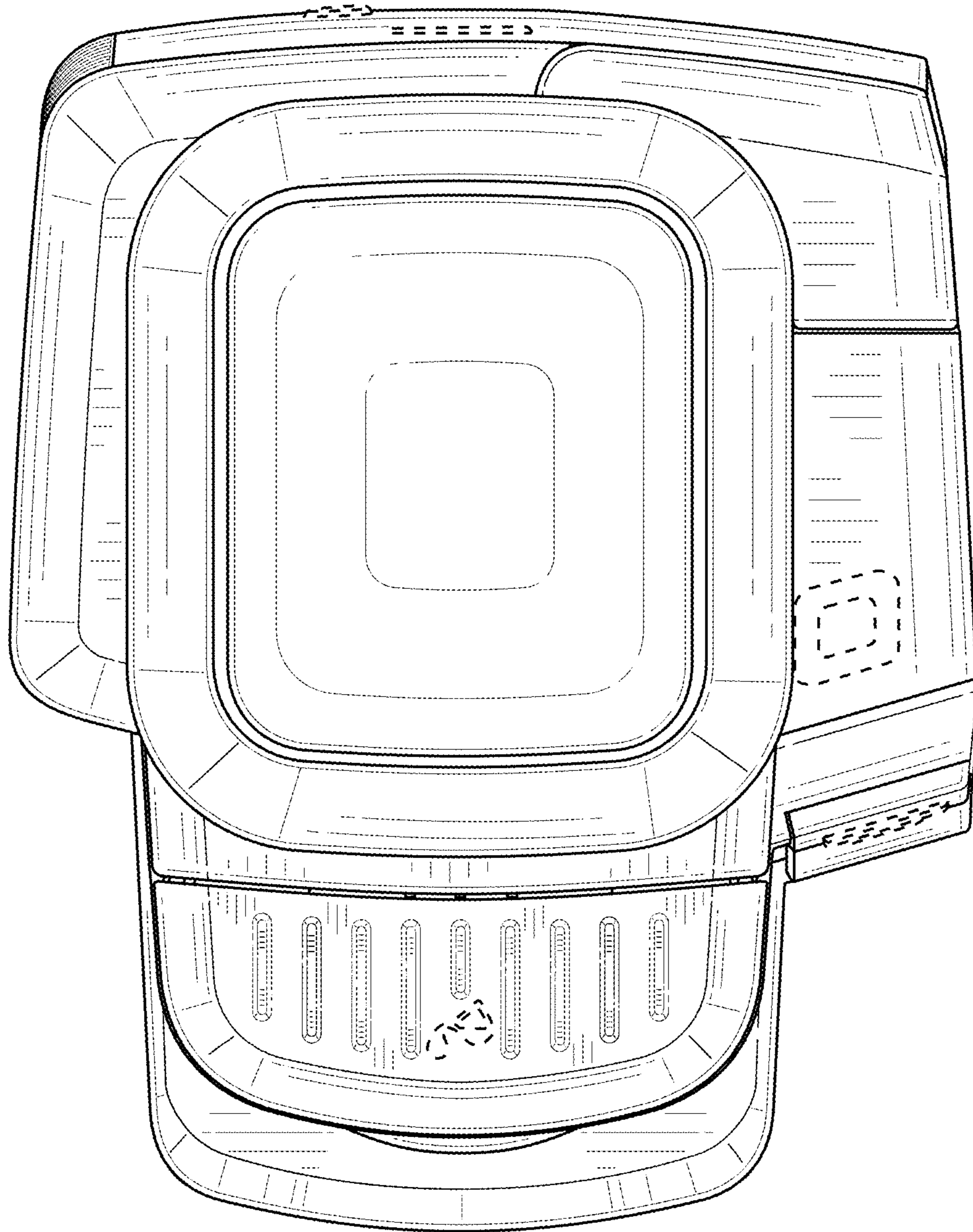
**FIG. 3**



**FIG. 4**

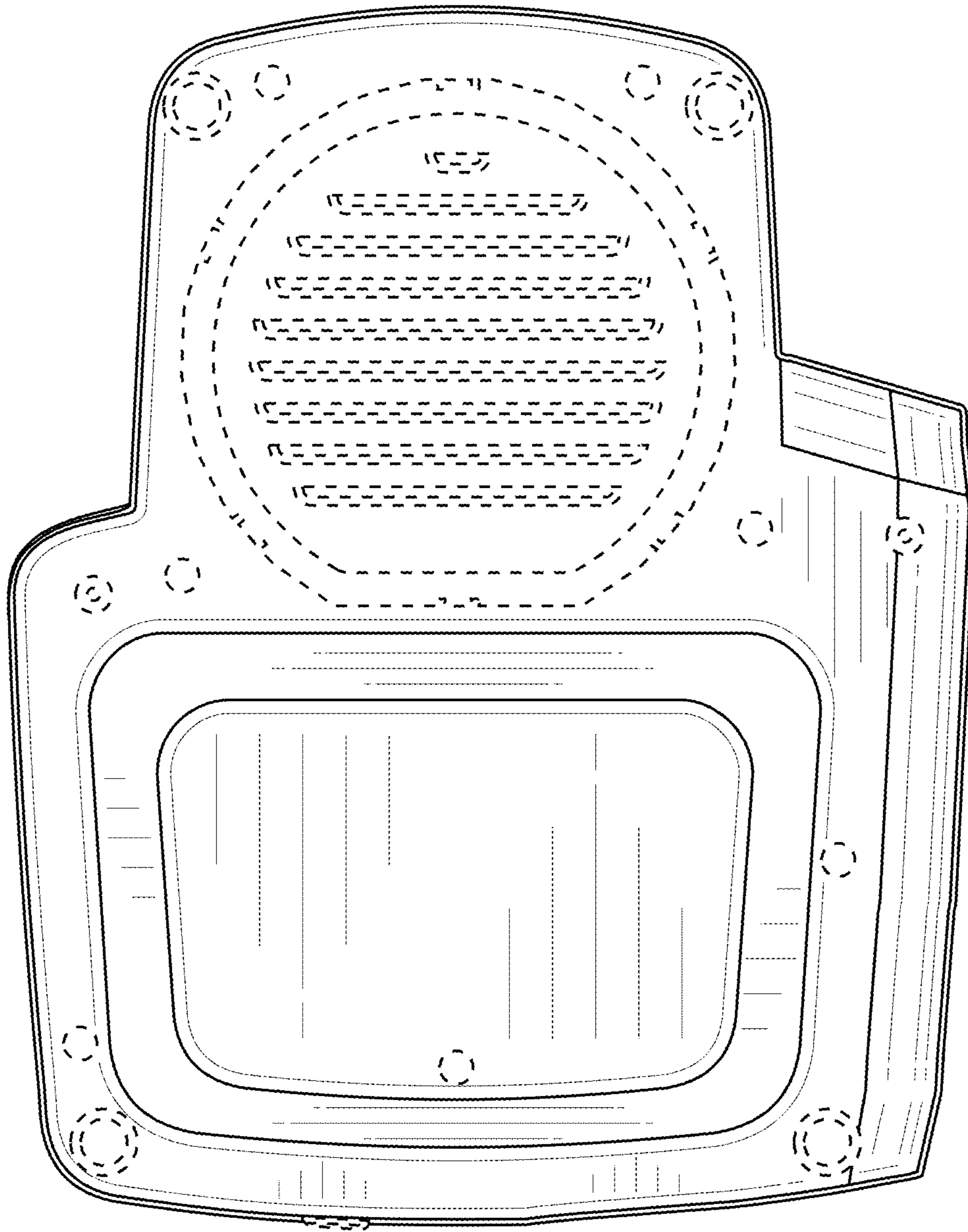


**FIG. 5**



**FIG. 6**





**FIG. 7**