



US00D824711S

(12) **United States Design Patent** (10) **Patent No.:** **US D824,711 S**
Brooks (45) **Date of Patent:** **** Aug. 7, 2018**

(54) **CHAIR** 5,499,413 A * 3/1996 Van Hekken A47C 3/12
 297/452.17
 (71) Applicant: **BOCK 1 GMBH & CO. KG,** D448,942 S * 10/2001 Mourgue D6/334
 Postbauer-Heng (DE) D465,100 S * 11/2002 Savini D6/375
 8,414,073 B2 * 4/2013 Schmitz A47C 1/03255
 297/302.1
 (72) Inventor: **Paul Brooks,** Kehl am Rhein (DE) D702,955 S * 4/2014 Meda D6/366
 8,998,338 B2 * 4/2015 Vander Veen A47C 1/032
 297/452.14
 (**) Term: **15 Years** 2002/0047298 A1 * 4/2002 Brauning A47C 3/04
 297/448.1
 (21) Appl. No.: **35/502,115** 2009/0261644 A1 * 10/2009 Piretti A47C 7/282
 297/344.12
 (22) Filed: **Nov. 30, 2016** 2016/0360891 A1 * 12/2016 Piretti A47C 7/14

(80) **Hague Agreement Data**

Int. Filing Date: **Nov. 30, 2016**
 Int. Reg. No.: **DM/093736**
 Int. Reg. Date: **Nov. 30, 2016**
 Int. Reg. Pub. Date: **Dec. 16, 2016**

(51) **LOC (11) Cl.** **06-06**
 (52) **U.S. Cl.**
 USPC **D6/716**

(58) **Field of Classification Search**
 USPC D6/334, 364–367, 374–376, 716
 CPC A47C 1/00; A47C 1/03255; A47C 3/00;
 A47C 3/026; A47C 3/027; A47C 3/12;
 A47C 3/18; A47C 3/04; A47C 5/00;
 A47C 5/05; A47C 7/00; A47C 7/02;
 A47C 7/16; A47C 7/24; A47C 7/44
 See application file for complete search history.

(56) **References Cited**

U.S. PATENT DOCUMENTS

3,133,762 A * 5/1964 Newman A47C 1/124
 297/239
 D254,105 S * 2/1980 Hosoe D6/366
 D346,909 S * 5/1994 Obata D6/366

* cited by examiner

Primary Examiner — Mary Ann Calabrese
 (74) *Attorney, Agent, or Firm* — Laurence A. Greenberg;
 Werner H. Stemer; Ralph E. Locher

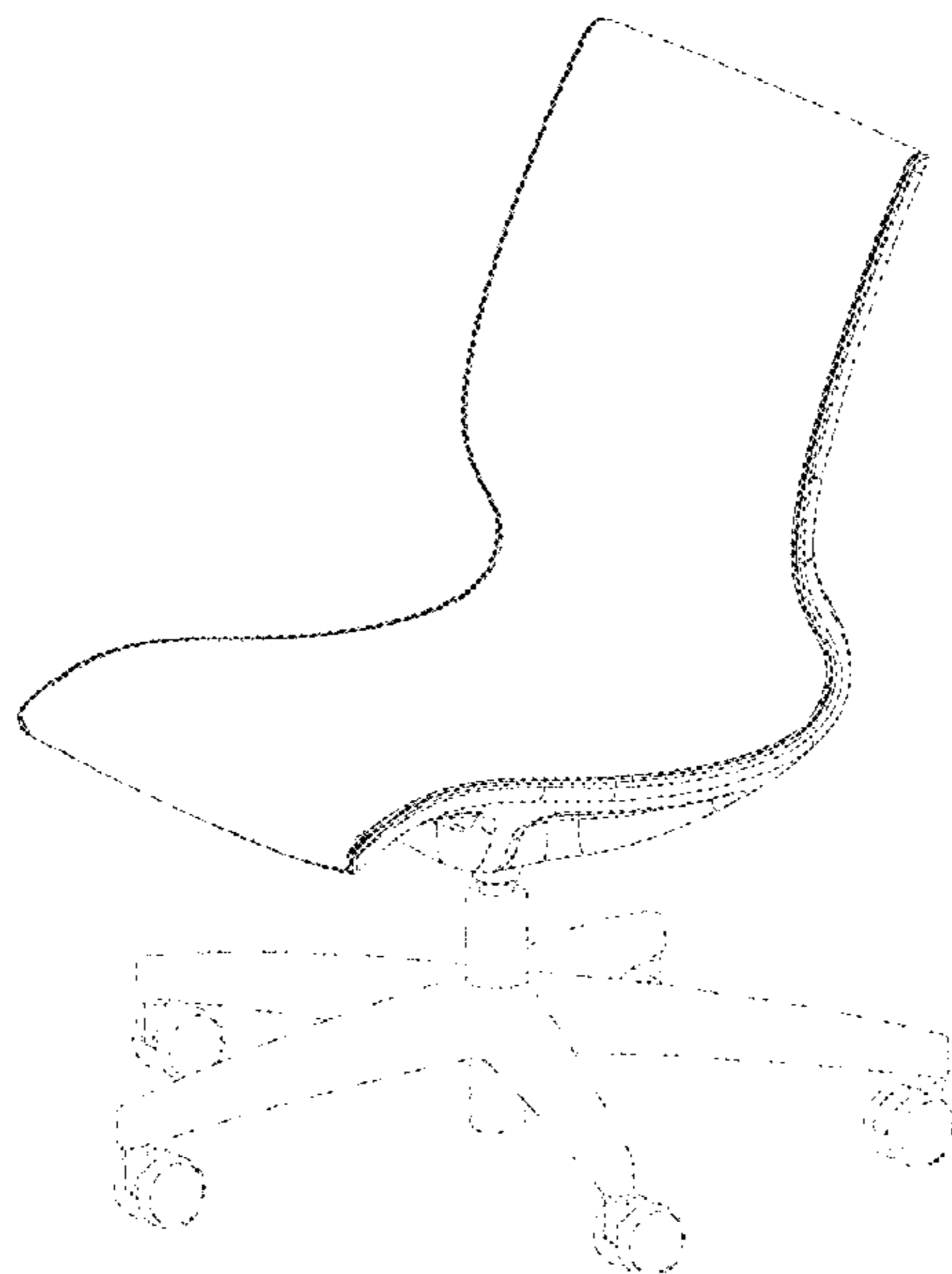
(57) **CLAIM**

The ornamental design for a chair, as shown and described.

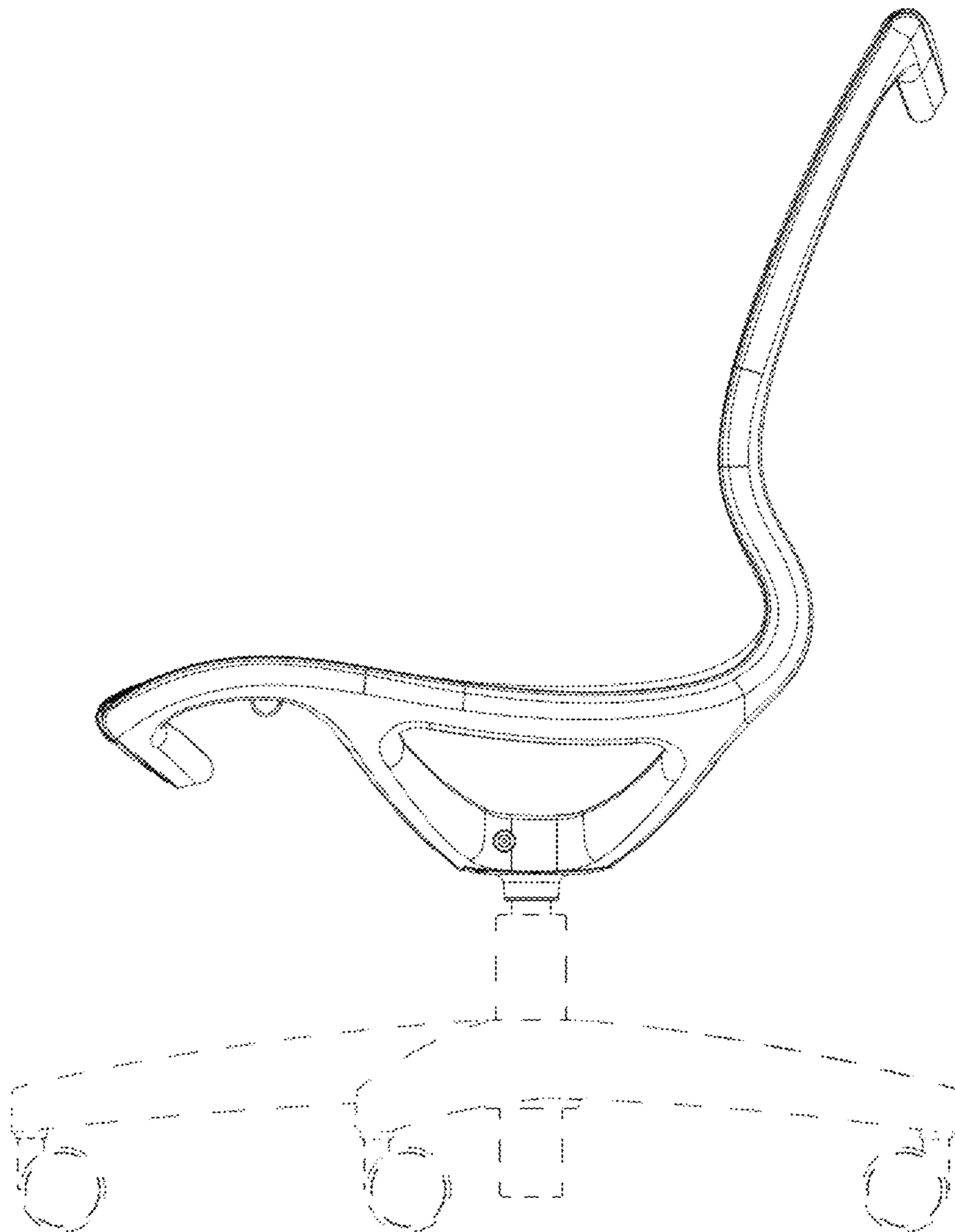
DESCRIPTION

1. Chair
1.1 : Left
1.2 : Front
1.3 : Right
1.4 : Back
1.5 : Top
1.6 : Bottom
1.7 : Back Perspective
1.8 : Front Perspective
 The broken lines depict internal portions and structural components of the chair and form no part of the claimed design.

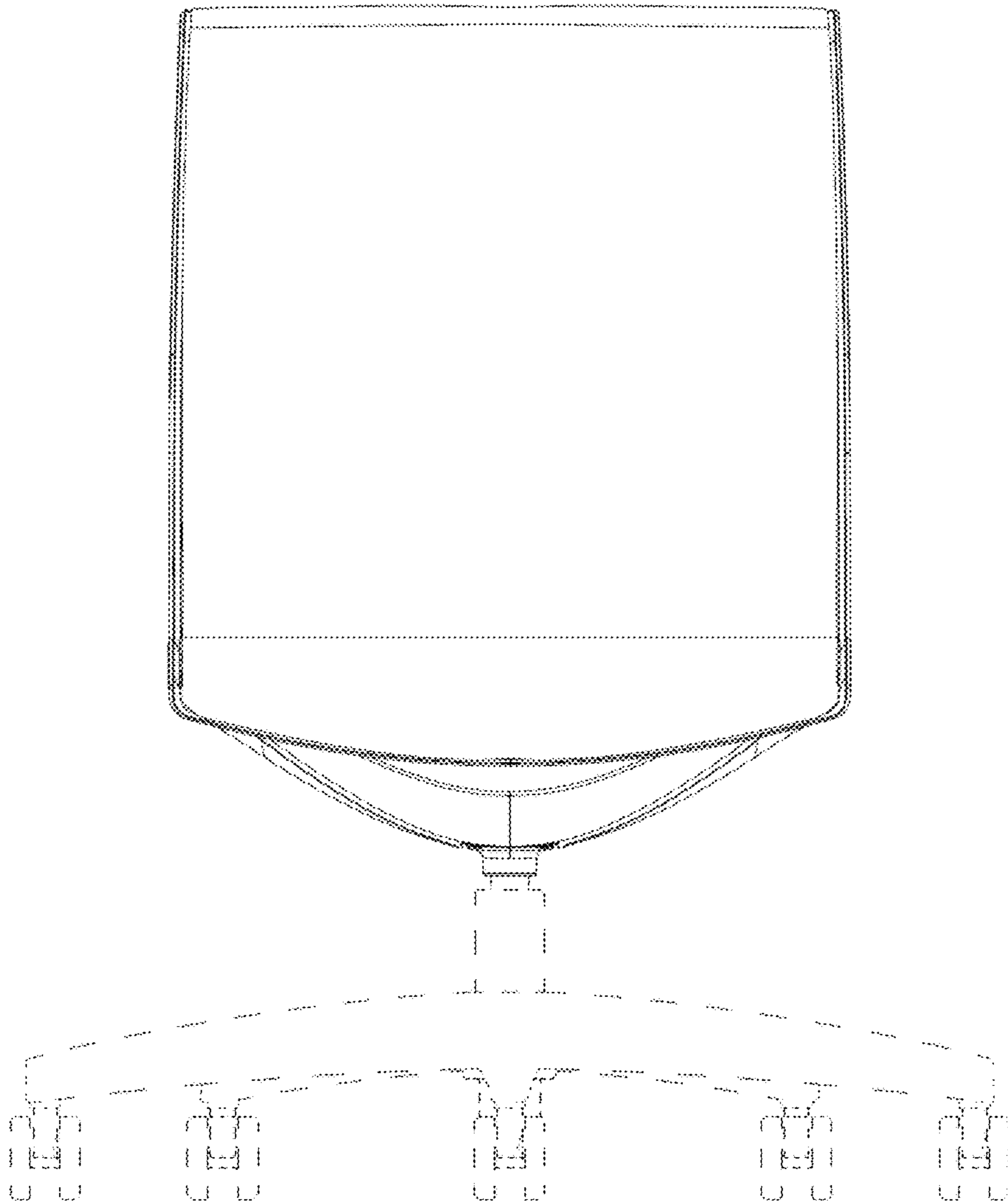
1 Claim, 8 Drawing Sheets



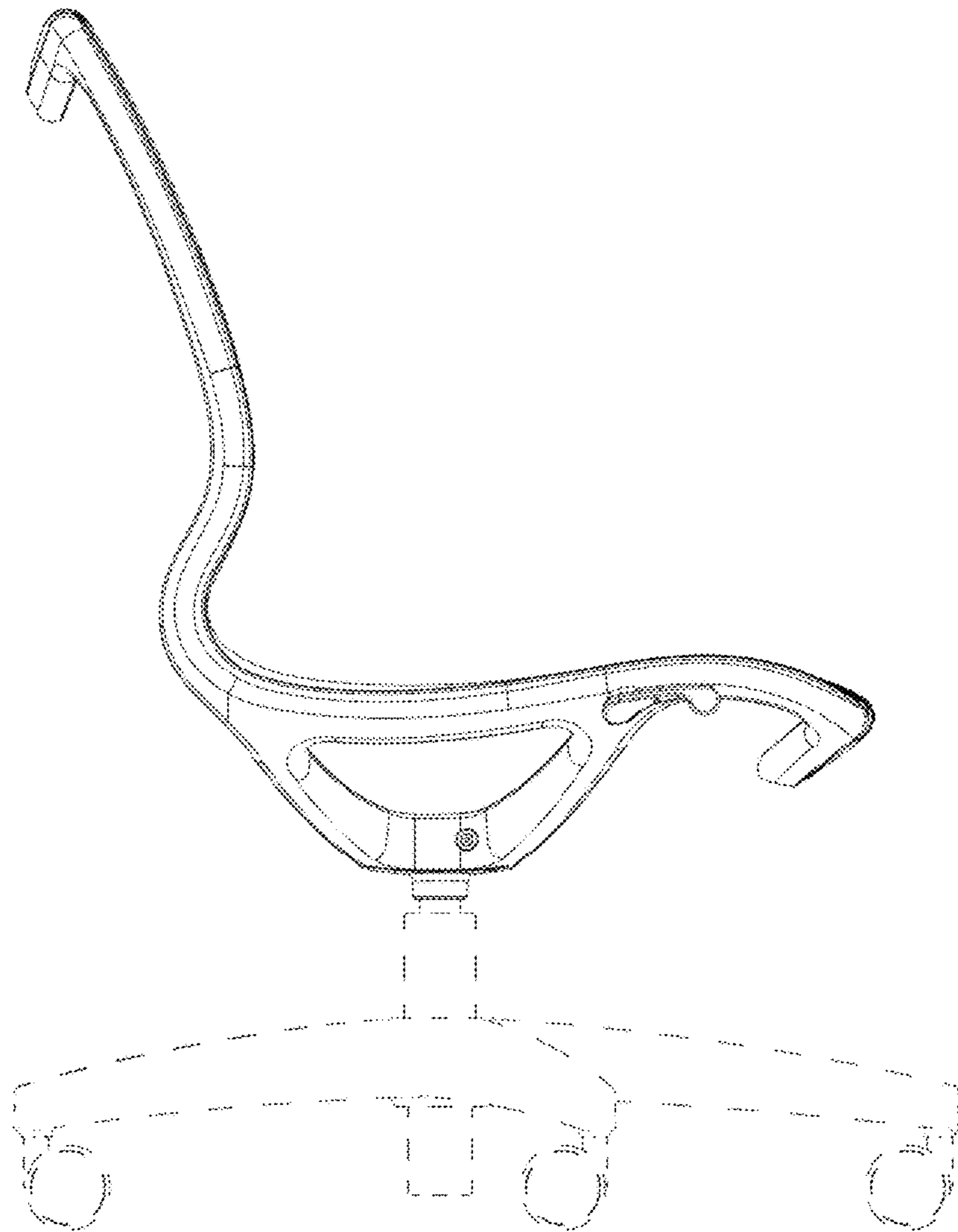
1.1



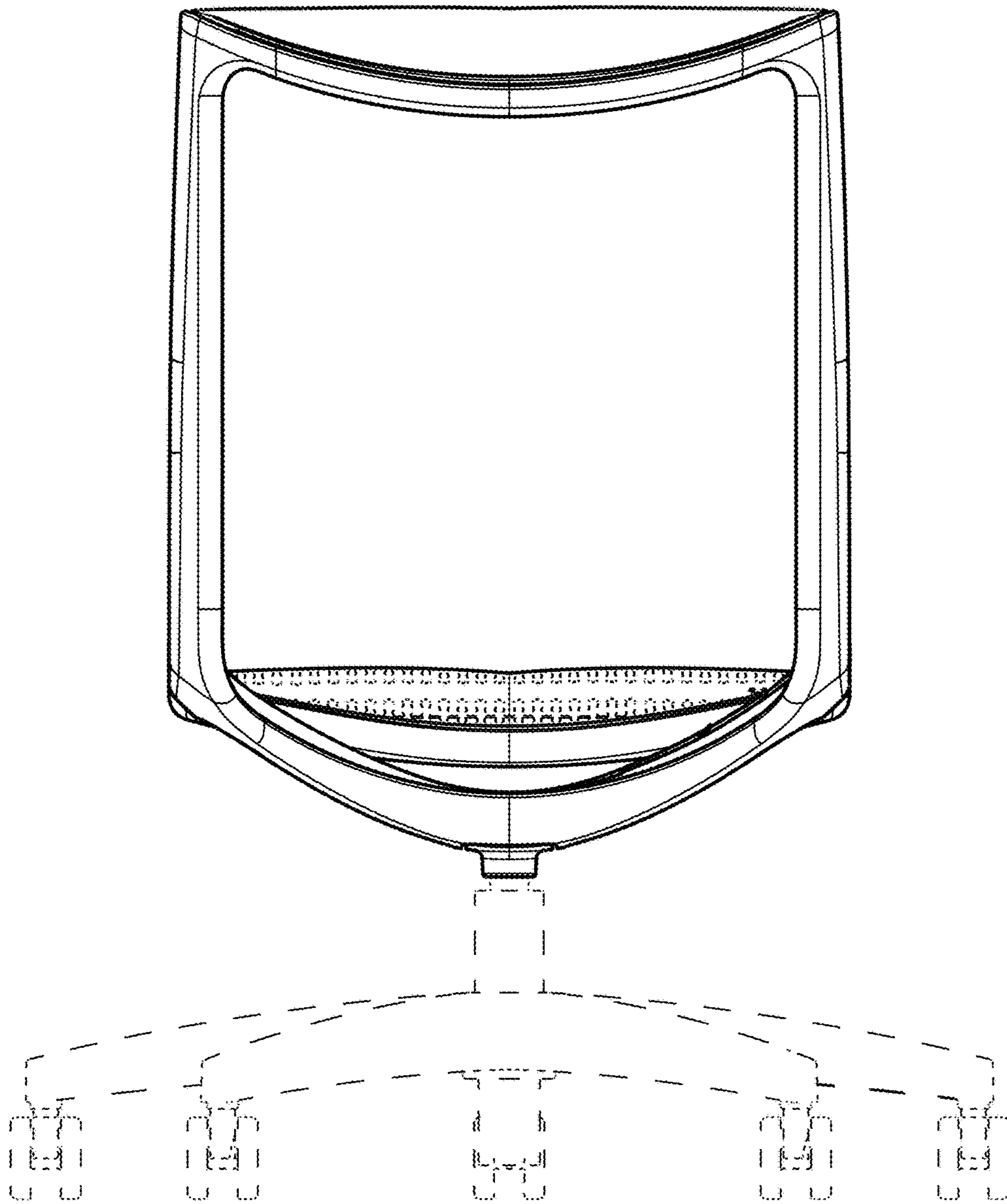
1.2



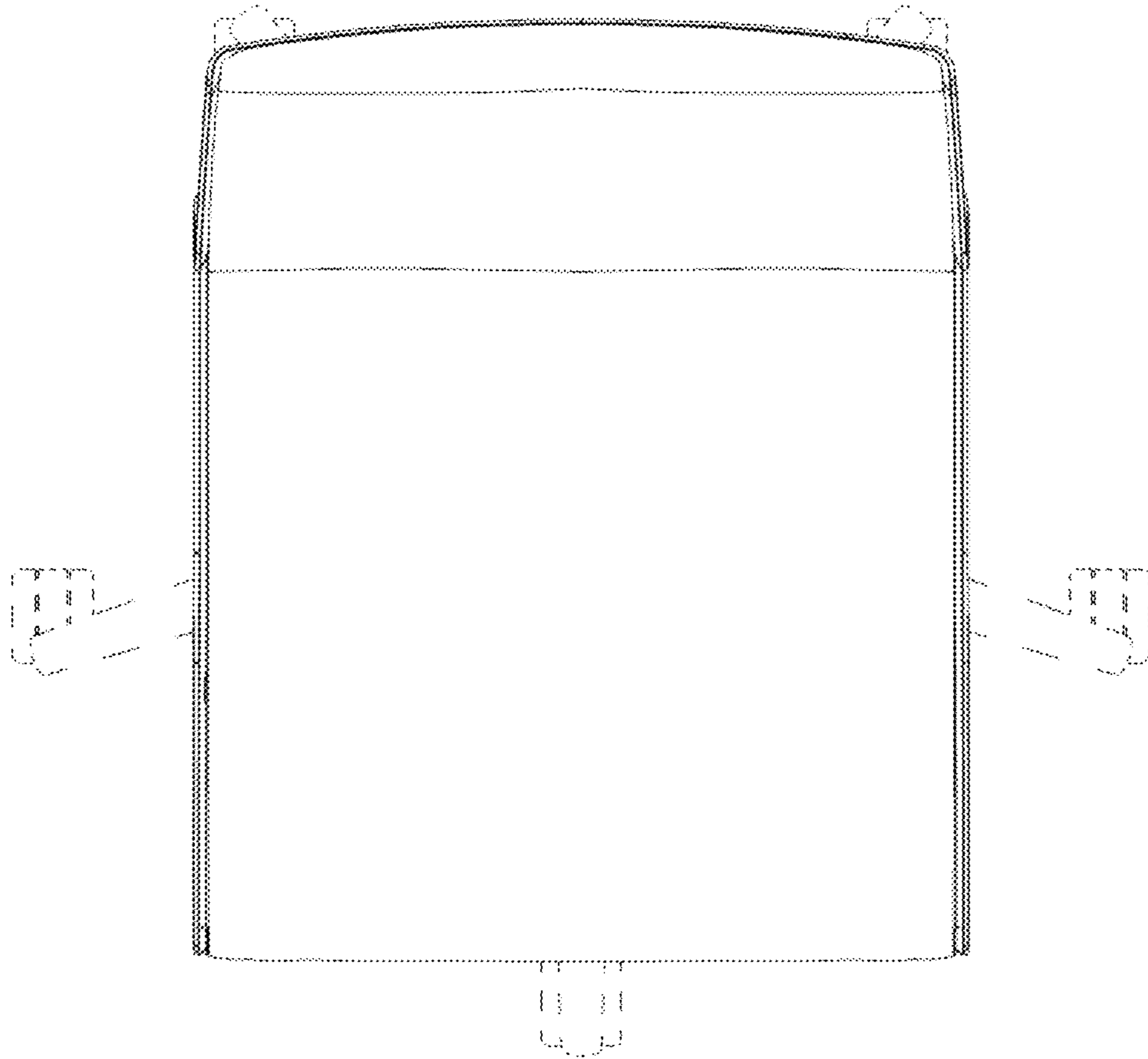
1.3



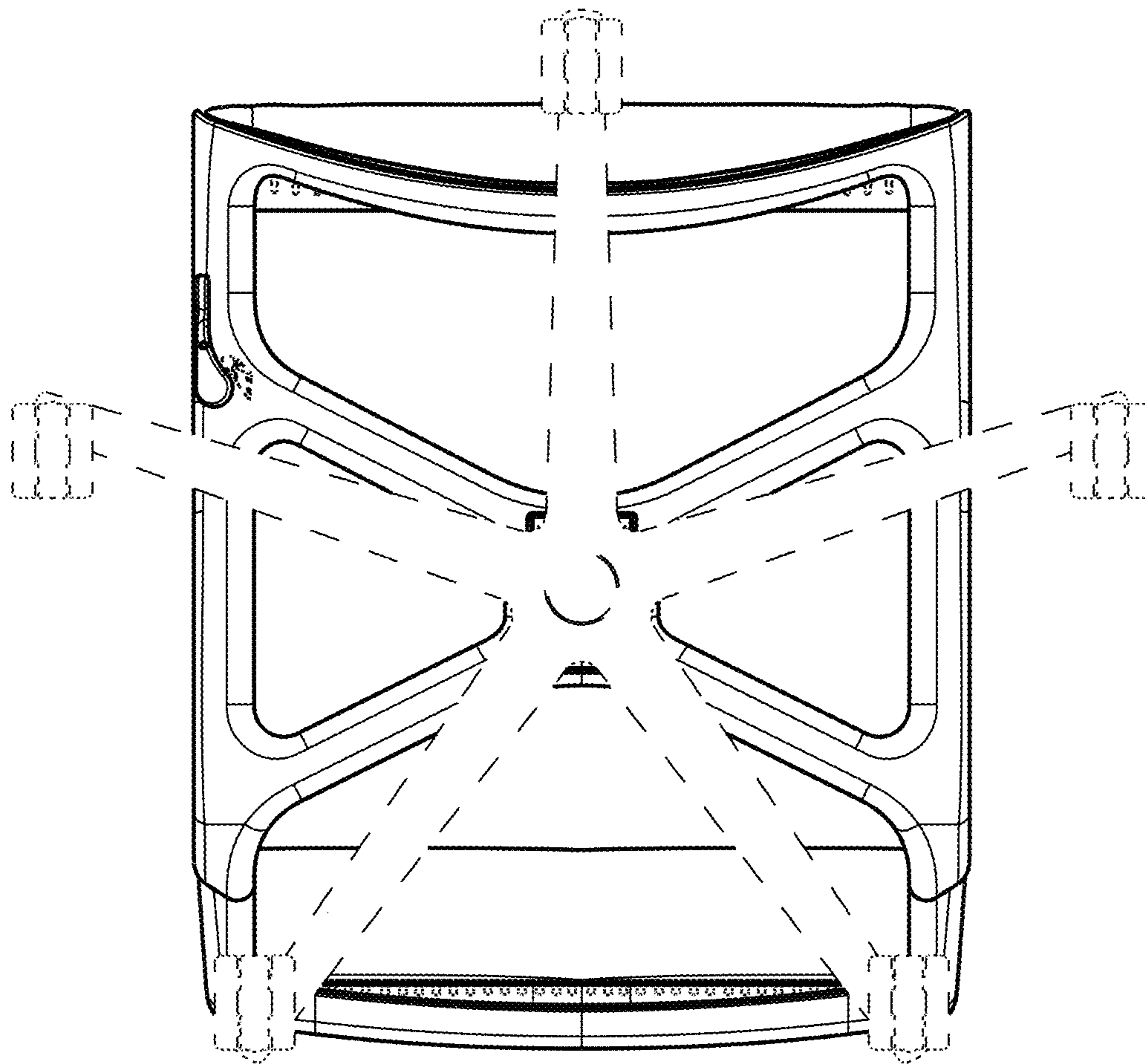
1.4



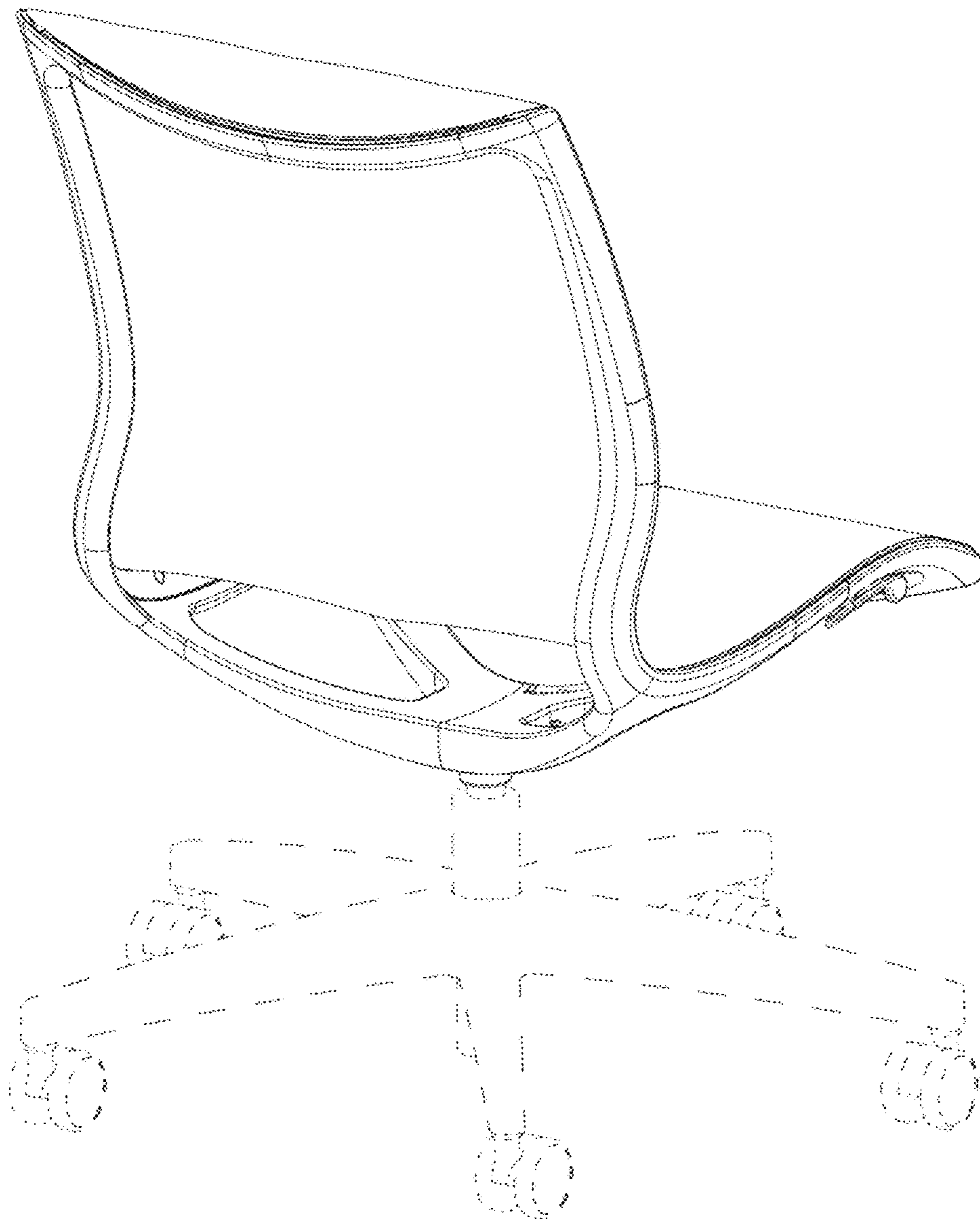
1.5



1.6



1.7



1.8

