

US00D824708S

(12) **United States Design Patent** (10) **Patent No.:** **US D824,708 S**
Yamamoto (45) **Date of Patent:** **** Aug. 7, 2018**

- (54) **PARTITION PANEL FOR DESK**
- (71) Applicant: **Okamura Corporation**, Yokohama-shi, Kanagawa (JP)
- (72) Inventor: **Takayuki Yamamoto**, Yokohama (JP)
- (73) Assignee: **Okamura Corporation**, Yokohama-shi, Kanagawa (JP)
- (**) Term: **15 Years**
- (21) Appl. No.: **29/602,612**
- (22) Filed: **May 2, 2017**

- (30) **Foreign Application Priority Data**
Nov. 4, 2016 (JP) 2016-024031
- (51) **LOC (11) Cl.** **06-03**
- (52) **U.S. Cl.**
USPC **D6/714; D6/332; D6/643.1**
- (58) **Field of Classification Search**
USPC D6/332, 641-643, 655, 655.11, 653.16, D6/653.23, 654.16, 654.23, 655.16, D6/655.23, 656.16, 656.19, 699, 714
CPC A47B 7/00; A47B 13/08; A47B 13/10; A47B 21/00; A47B 2009/006; A47B 11/00; A47B 2200/002; A47B 3/14; A47B 83/02; A47B 37/04; A47B 2200/0051; A47B 2200/0052; A47B 2200/0053; A47B 2200/0054; A47B 2200/0055; A47B 21/02
See application file for complete search history.

- (56) **References Cited**
U.S. PATENT DOCUMENTS
1,992,903 A * 2/1935 Potashnik A47B 83/02 108/161
D202,325 S * 9/1965 Foster D20/10
D277,196 S * 1/1985 Eason D20/15
D299,794 S * 2/1989 Helstab D6/332

- D305,582 S * 1/1990 Zapf D6/332
- D392,476 S * 3/1998 Mitchell D6/643
- 5,788,575 A * 8/1998 Fluster A47B 23/044 108/43
- 6,380,630 B1 * 4/2002 Kinsman H01L 25/0657 257/724

(Continued)

OTHER PUBLICATIONS

5 NeoCon Takeaways: Wellness, Privacy, Ottomans and More [online]. Interior Design.net, Jul. 1, 2015 [retrieved on Mar. 20, 2018]. Retrieved from the Internet< <http://www.interiordesign.net/articles/9099-5-neocon-takeaways-wellness-privacy-ottomans-and-m/5>> (Year: 2015).*

(Continued)

Primary Examiner — Mary Ann Calabrese
Assistant Examiner — Sloan Rozin
(74) *Attorney, Agent, or Firm* — Banner & Witcoff, Ltd.

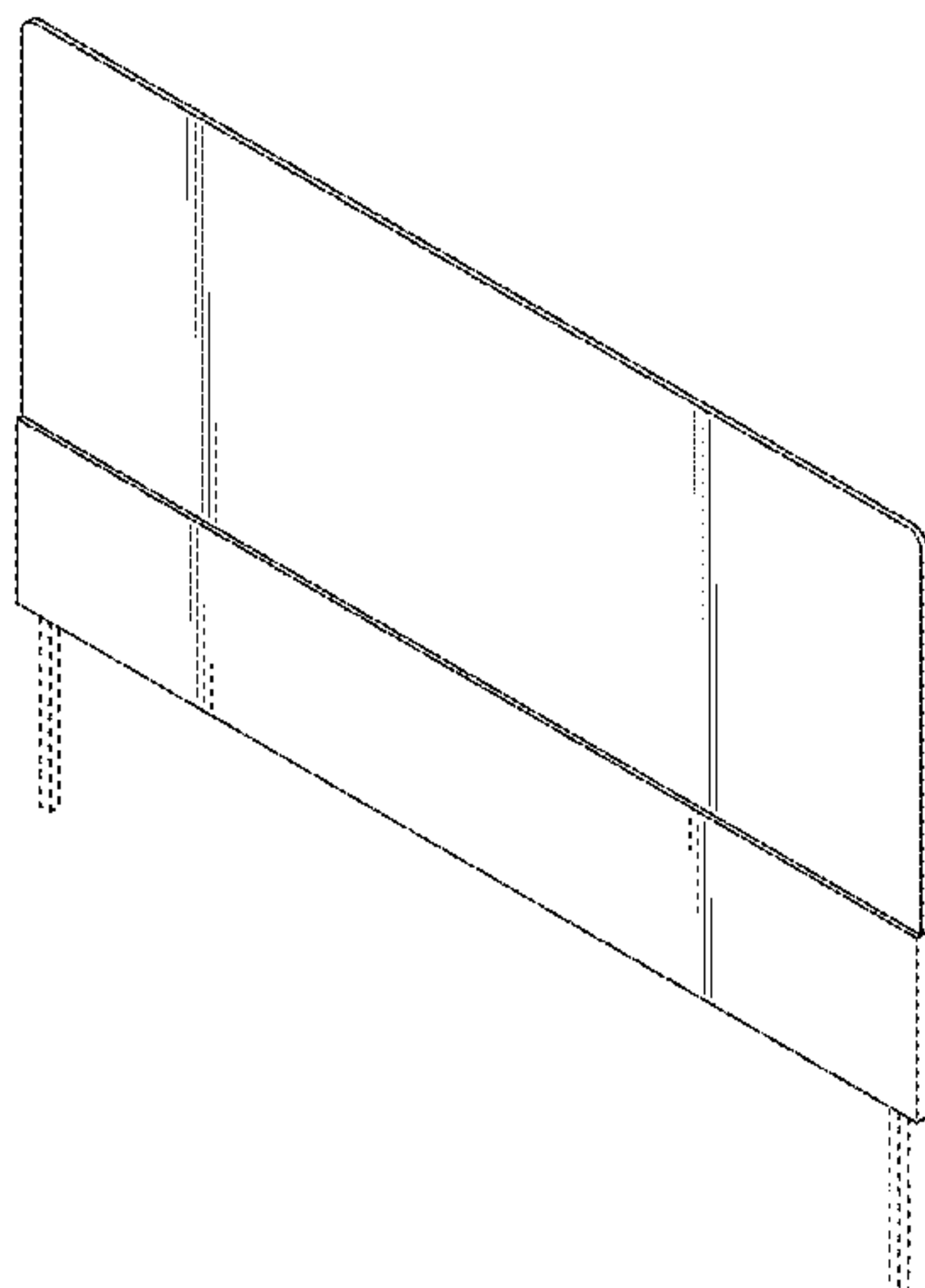
(57) **CLAIM**

The ornamental design for a partition panel for desk, as shown and described.

DESCRIPTION

FIG. 1 is a front perspective view of a partition panel for desk showing my new design;
FIG. 2 is a front view thereof, the rear view thereof being a mirror image;
FIG. 3 is a right side view thereof, the left side view thereof being a mirror image;
FIG. 4 is a top view thereof;
FIG. 5 is a bottom view thereof; and,
FIG. 6 is a perspective view of usage.
The broken lines in FIGS. 1-3 and 5 are for the purpose of illustrating portions of the partition panel for desk and form no part of the claimed design. The broken lines in FIG. 6 are for the purpose of illustrating the environmental structure and form no part of the claimed design.

1 Claim, 4 Drawing Sheets



(56)

References Cited

U.S. PATENT DOCUMENTS

D473,080	S *	4/2003	Kellogg	D6/706
6,612,670	B2 *	9/2003	Liu	A47G 5/00
					160/351
D507,915	S *	8/2005	Nagel	D6/706
6,964,235	B2 *	11/2005	Hardy	A47F 1/126
					108/61
D564,764	S *	3/2008	Springer	D6/332
D613,079	S *	4/2010	Tsuchiyama	D6/332
D613,080	S *	4/2010	Tsuchiyama	D6/332
D717,573	S *	11/2014	Fishman	D20/44
9,473,839	B2 *	10/2016	Yu	H04R 1/028
D780,486	S *	3/2017	Arthur	D6/641
D786,594	S *	5/2017	Yamamoto	D6/702
D793,749	S *	8/2017	Kitajima	D6/332
D793,750	S *	8/2017	Kitajima	D6/332
D793,751	S *	8/2017	Kitajima	D6/332
D808,668	S *	1/2018	Tsuchiyama	D6/332

OTHER PUBLICATIONS

Sw_brochure_201505.pdf [online]. okamura.jp, May 2017 [retrieved on Mar. 20, 2018]. Retrieved from the Internet<http://www.okamura.jp/en_us/products/upload_files/files/pdf/sw/sw_brochure_201705.pdf> (Year: 2017).*

Okamura SW[online]. Contract Design, May 28, 2015 [retrieved on Mar. 20, 2018]. Retrieved from the Internet<<https://www.contractdesign.com/products/tables-desks/okamura-sw/>> (Year: 2015).*

* cited by examiner

FIG. 1

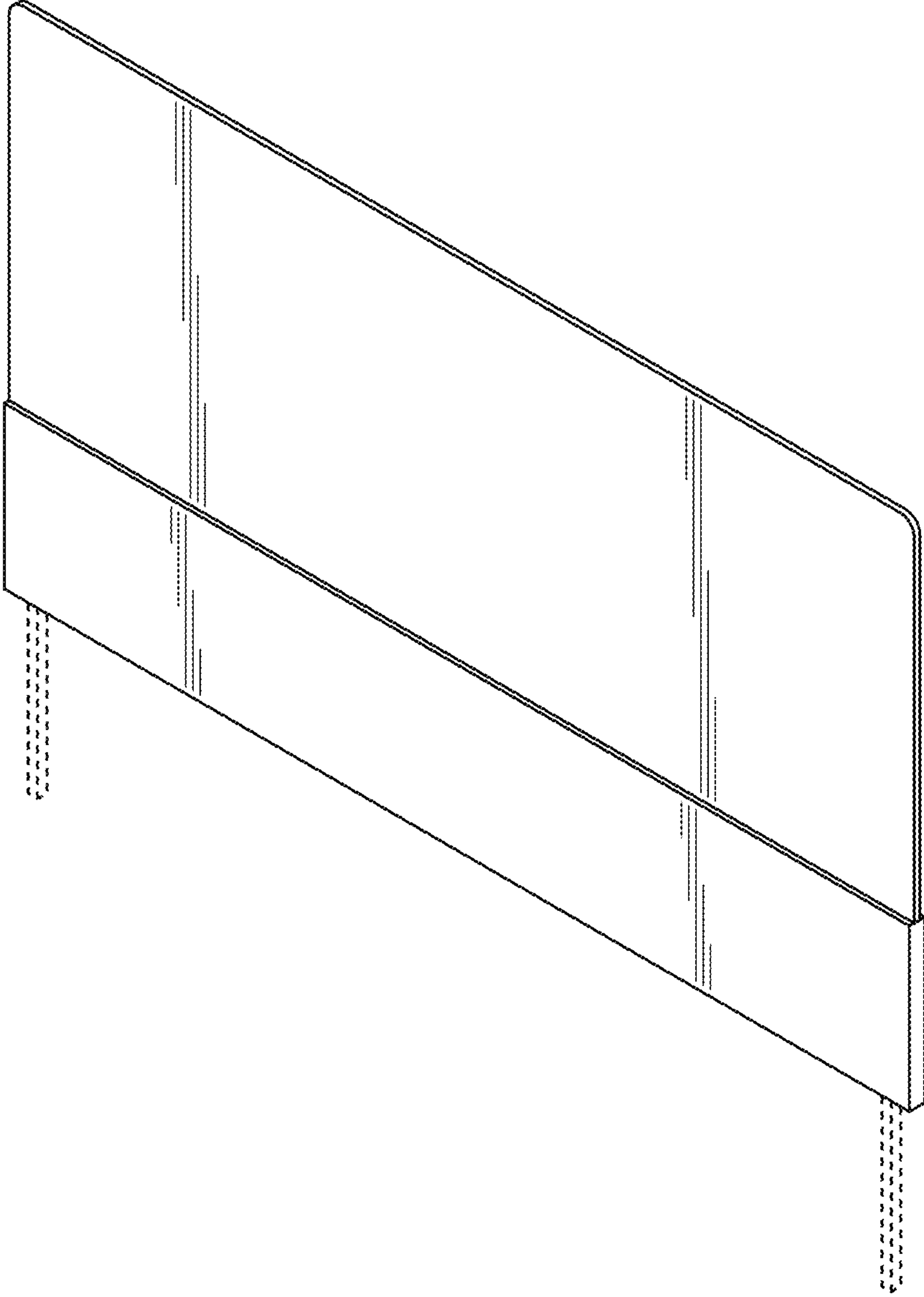


FIG. 2

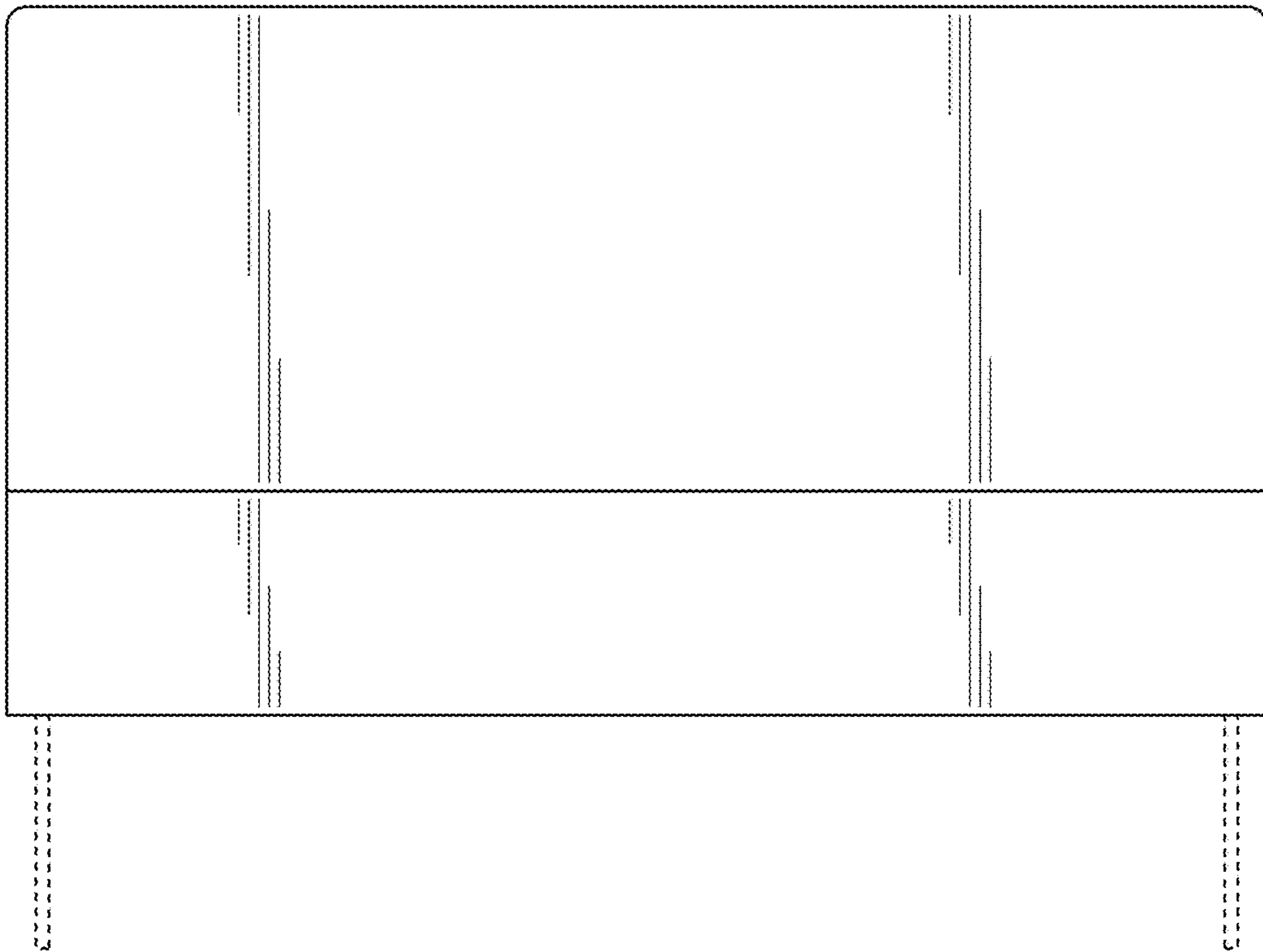


FIG. 3



FIG. 4

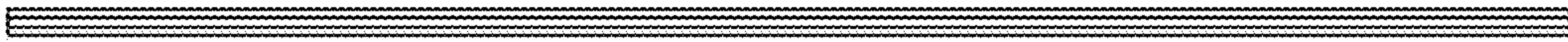


FIG. 5

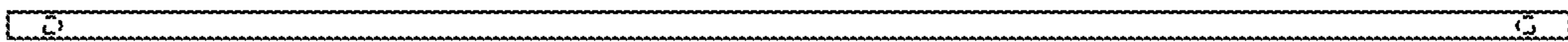


FIG. 6

