



US00D824705S

(12) **United States Design Patent**
Kuipers

(10) **Patent No.:** **US D824,705 S**

(45) **Date of Patent:** **** Aug. 7, 2018**

(54) **SEPARATOR**

(71) Applicant: **Joseph P. Kuipers**, Nokomis, FL (US)

(72) Inventor: **Joseph P. Kuipers**, Nokomis, FL (US)

(**) Term: **15 Years**

(21) Appl. No.: **29/549,307**

(22) Filed: **Dec. 21, 2015**

(51) **LOC (11) Cl.** **06-06**

(52) **U.S. Cl.**

USPC **D6/706**

(58) **Field of Classification Search**

USPC D6/328, 706, 512; D20/19, 42, 43

CPC A47B 96/04; A47B 2210/06; B29L

2007/002; A45C 2013/026; A45C

2200/15

See application file for complete search history.

(56) **References Cited**

U.S. PATENT DOCUMENTS

4,109,982	A	8/1978	Schreyer	
D252,436	S *	7/1979	Elliott	D6/706
4,305,217	A	12/1981	Green et al.	
D283,468	S *	4/1986	Steinhilber	D6/315
4,795,196	A	1/1989	Hyun et al.	
D304,887	S *	12/1989	Carlson	D6/706
5,040,681	A	8/1991	Grusin	
5,318,182	A	6/1994	Thorud	
5,505,371	A	4/1996	O'Neill	
5,810,457	A	9/1998	Felsenthal et al.	
6,318,822	B1	11/2001	Wang	
D494,394	S *	8/2004	Leong-Son	D6/706
D501,341	S	2/2005	Cassidy et al.	
D502,031	S	2/2005	Cassidy et al.	
D505,809	S	6/2005	Cassidy et al.	
D511,060	S *	11/2005	Linden	D6/706
D550,070	S *	9/2007	Lucht	D8/381

7,334,669	B2	2/2008	Barker et al.	
D581,985	S *	12/2008	Spratt	D20/42
D613,100	S *	4/2010	Chancey	D6/706
D619,393	S *	7/2010	Golias	D6/706
7,779,976	B2	8/2010	Mangano	
8,376,477	B2	2/2013	Schinzing	
D697,974	S *	1/2014	Valls	D20/19
D702,068	S *	4/2014	Mitten	D6/706
8,714,418	B2	5/2014	Kumar et al.	
2004/0129655	A1	7/2004	Balzarini	
2008/0143222	A1	6/2008	Greiner	
2008/0308439	A1	12/2008	Lidster	
2010/0276241	A1	11/2010	Malone	

FOREIGN PATENT DOCUMENTS

DE	42 40 611	12/1992
GB	742515	12/1955

* cited by examiner

Primary Examiner — Kelley Donnelly

(74) *Attorney, Agent, or Firm* — Frijouf, Rust & Pyle P.A.

(57) **CLAIM**

The ornamental design for a separator, as shown and described.

DESCRIPTION

FIG. 1 is a top isometric view of my new design for a separator;

FIG. 2 is a bottom isometric view thereof;

FIG. 3 is a top view thereof;

FIG. 4 is a bottom view thereof;

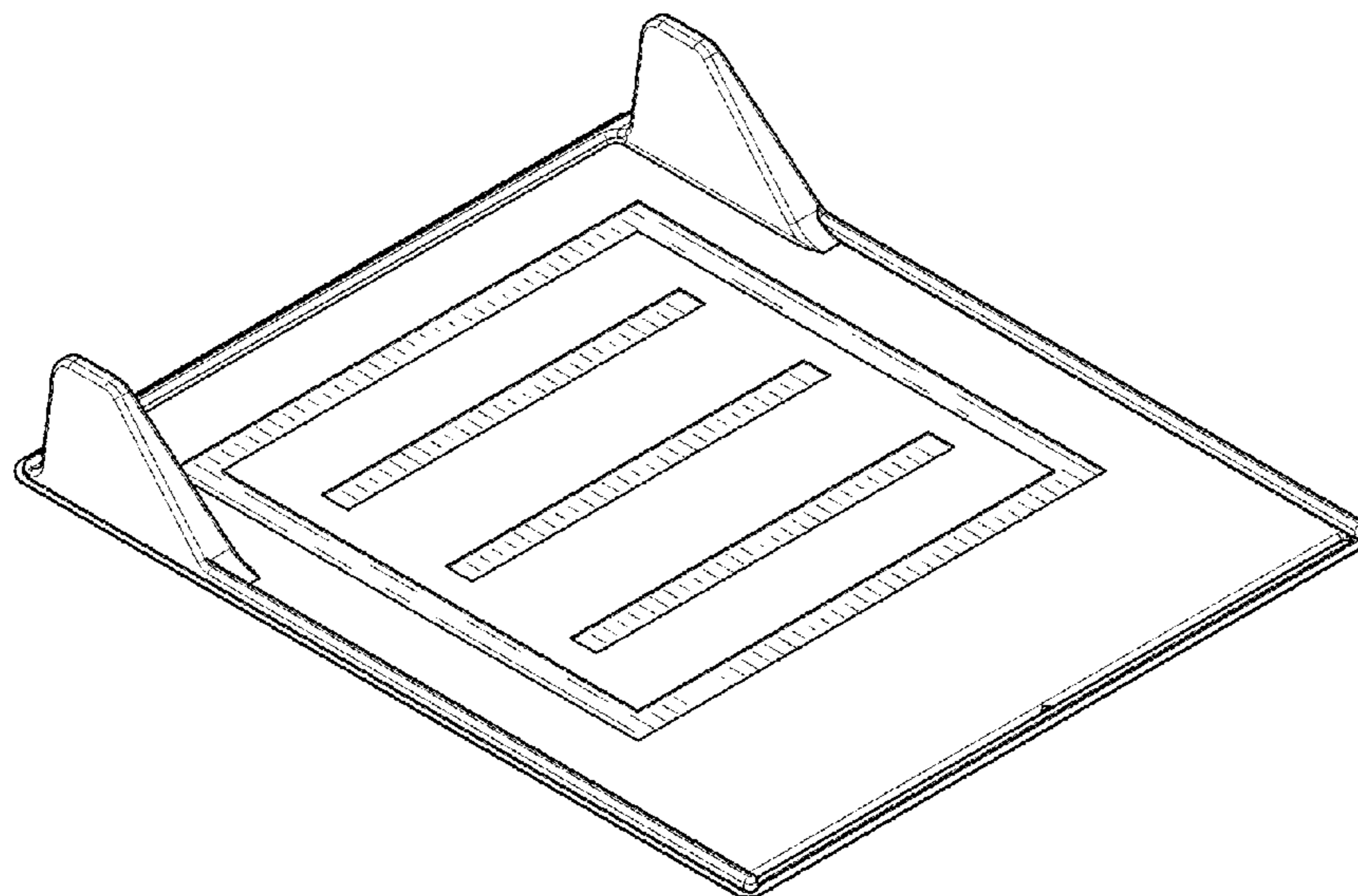
FIG. 5 is a view long line 5-5 in FIG. 3;

FIG. 6 is a view long line 6-6 in FIG. 3;

FIG. 7 is a left side view of FIG. 3; and,

FIG. 8 is a right side view of FIG. 3.

1 Claim, 3 Drawing Sheets



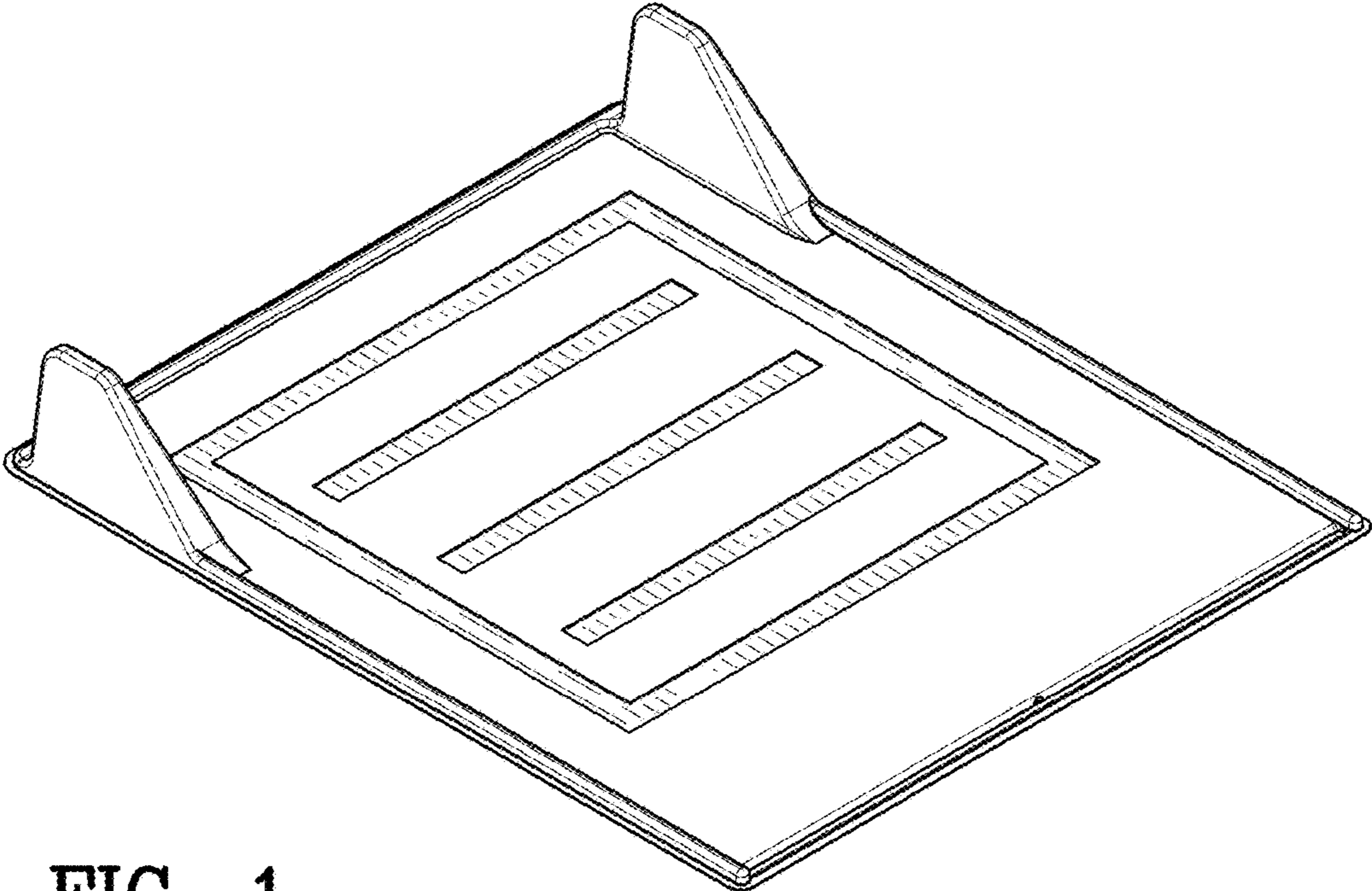


FIG. 1

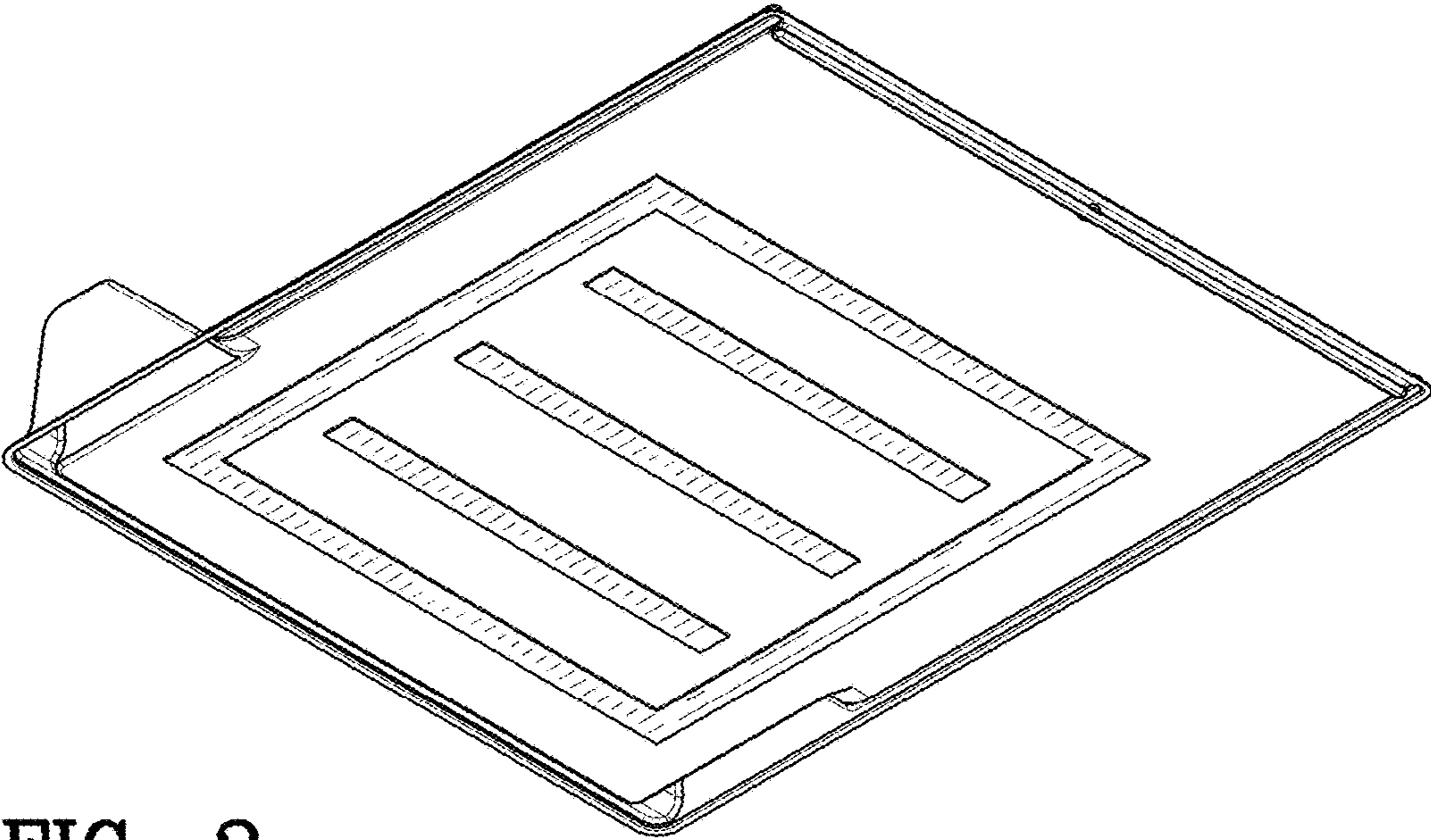


FIG. 2

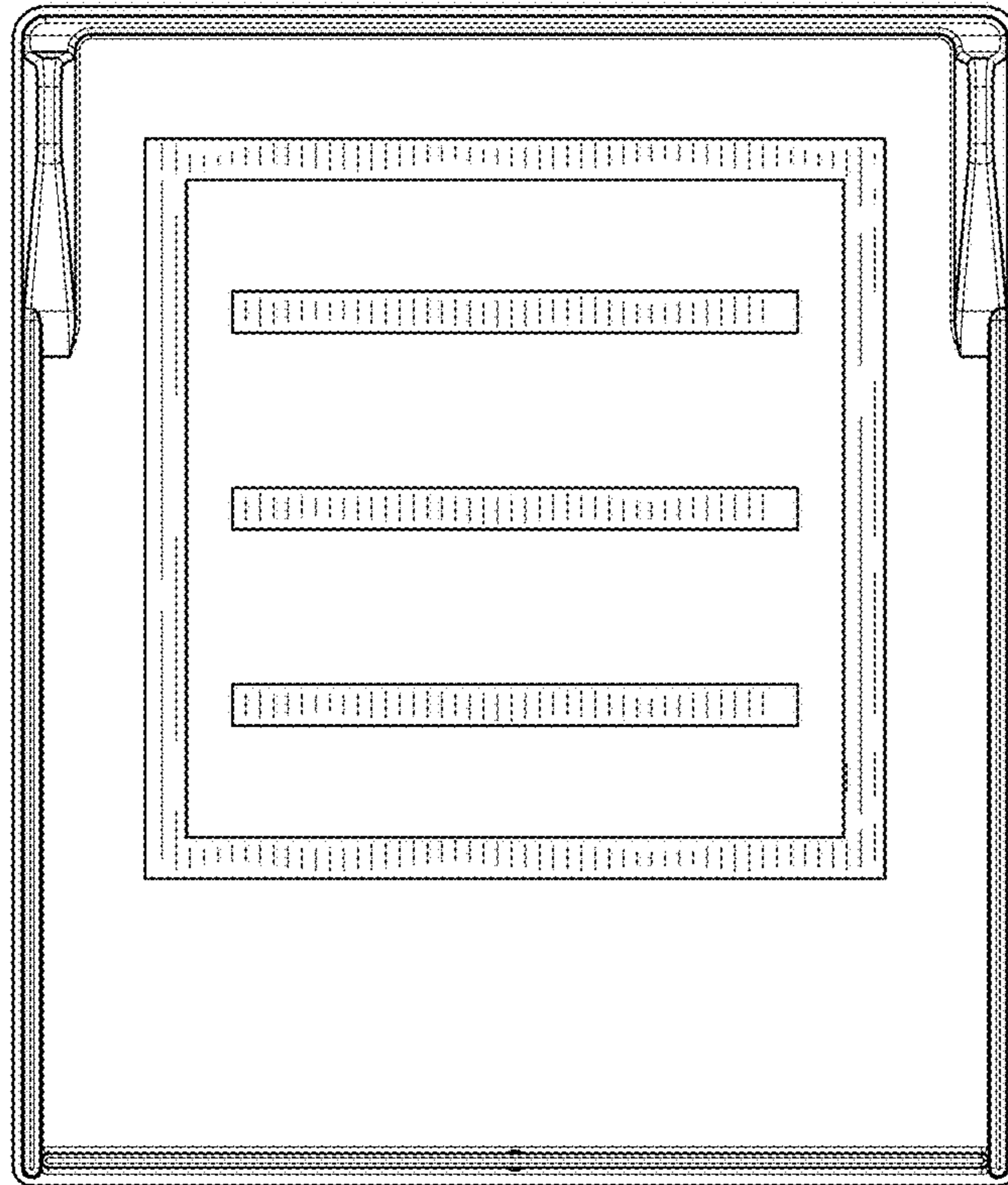


FIG. 3

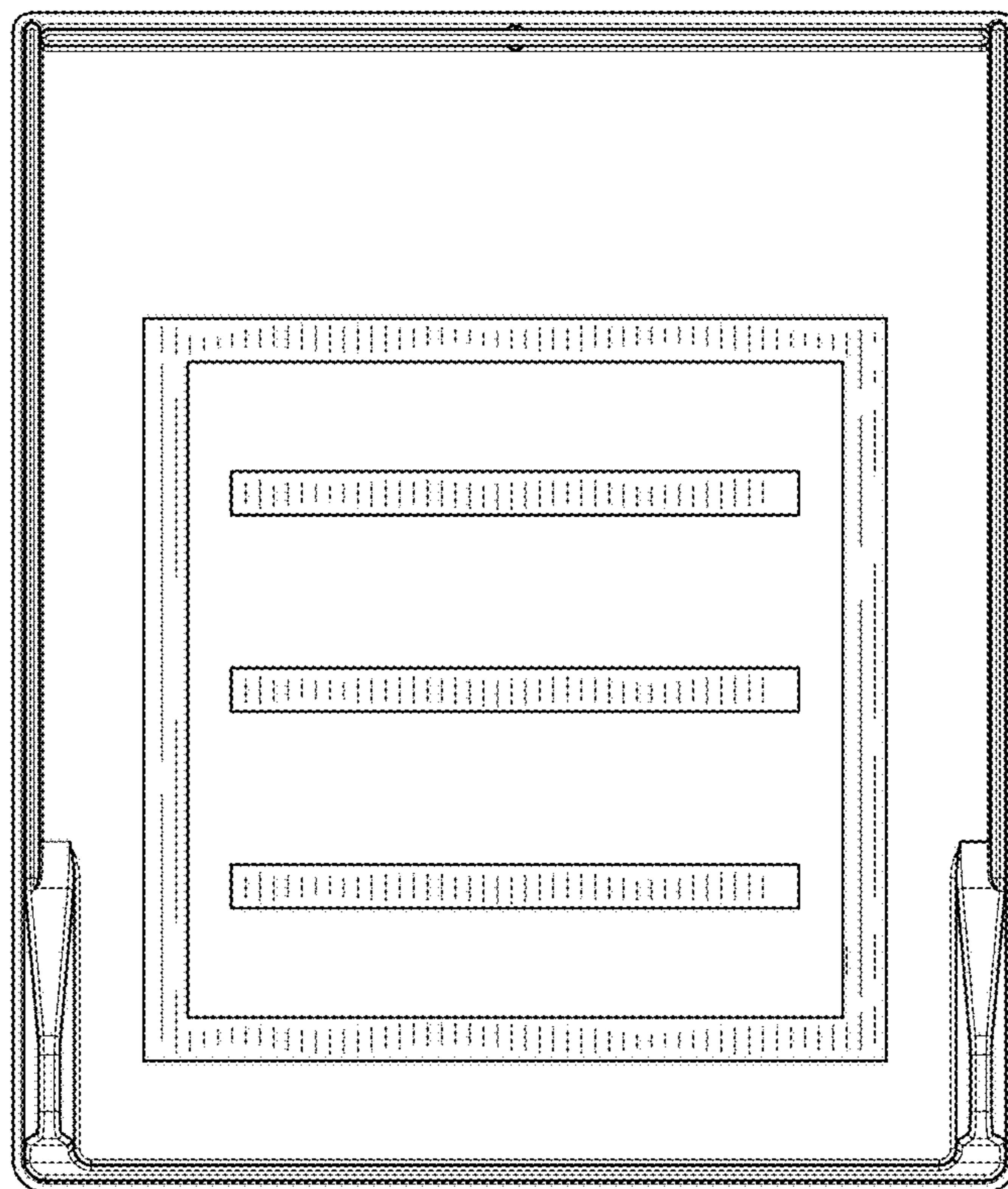


FIG. 4



FIG. 5

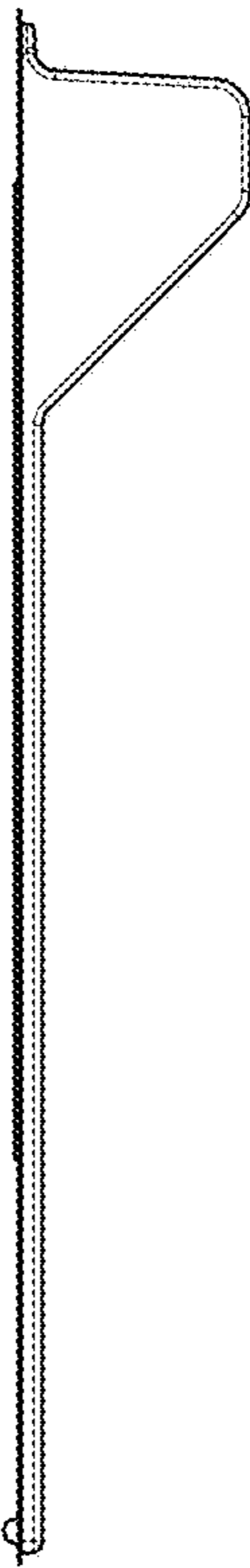


FIG. 7

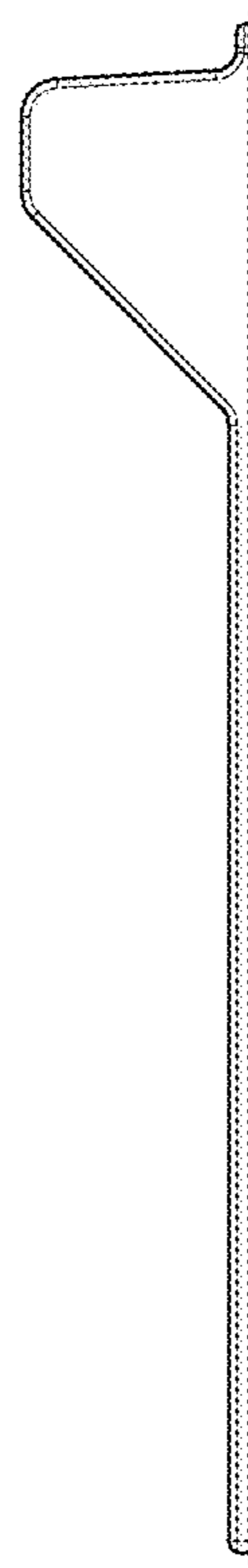


FIG. 8



FIG. 6