



US00D824702S

(12) **United States Design Patent** (10) **Patent No.:** **US D824,702 S**  
**Tio et al.** (45) **Date of Patent:** **\*\* Aug. 7, 2018**

(54) **DISPLAY STRUCTURE**

(71) Applicant: **Apple Inc.**, Cupertino, CA (US)  
 (72) Inventors: **Federico F. Tio**, Santa Cruz, CA (US);  
**Frank Craig Thaler**, Santa Cruz, CA (US); **Wesley Bryan Hamm**, San Francisco, CA (US); **Kevin Fenton Smeds**, San Francisco, CA (US); **Russell John Kaaihue Heirakuji**, Cupertino, CA (US)

(73) Assignee: **Apple Inc.**, Cupertino, CA (US)

(\*\*) Term: **15 Years**

(21) Appl. No.: **29/607,262**

(22) Filed: **Jun. 12, 2017**

**Related U.S. Application Data**

(63) Continuation of application No. 29/547,867, filed on Dec. 8, 2015, now Pat. No. Des. 790,260, which is a continuation of application No. 29/534,157, filed on Jul. 27, 2015, now Pat. No. Des. 769,651, which is a continuation of application No. 29/499,677, filed on Aug. 18, 2014, now Pat. No. Des. 734,965, which is a continuation of application No. 29/432,724, filed on Sep. 19, 2012, now Pat. No. Des. 713,658.

(51) **LOC (11) Cl.** ..... **06-06**

(52) **U.S. Cl.**  
USPC ..... **D6/675**

(58) **Field of Classification Search**  
 USPC ..... D6/320, 672, 673, 675, 682, 682.1, 512, D6/553; 211/42, 44-45, 48, 50, 90.01, 211/133.1  
 CPC ..... A47F 5/0043; A47F 5/08; A47F 5/0807; A47F 5/16

See application file for complete search history.

(56) **References Cited**

U.S. PATENT DOCUMENTS

3,721,413 A *	3/1973	Robinson .....	A47F 5/114 248/174
D291,512 S	8/1987	Everett	
D317,681 S *	6/1991	Stewart .....	D6/310
D321,100 S	10/1991	Dorrell	
D351,863 S	10/1994	Sarkisian et al.	
D354,638 S	1/1995	Todd et al.	
D377,012 S	12/1996	Oslund	
5,607,070 A *	3/1997	Hellyer .....	A47F 5/0846 211/187
D379,377 S	5/1997	Rath	
D392,686 S	3/1998	Sarkisian et al.	
D395,677 S	6/1998	Gongora et al.	

(Continued)

*Primary Examiner* — Kelley Donnelly

(74) *Attorney, Agent, or Firm* — Sterne, Kessler, Goldstein & Fox P.L.L.C.

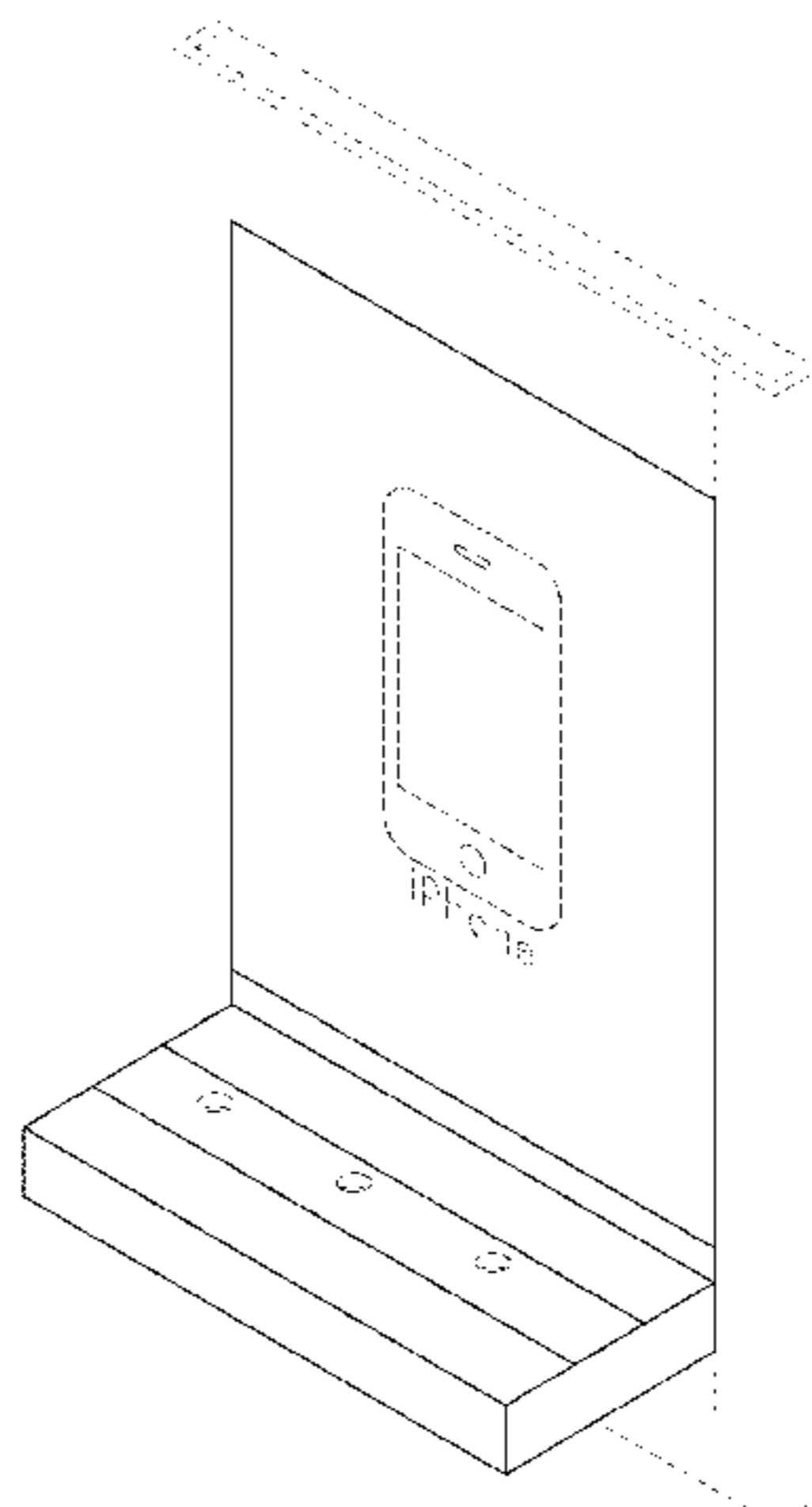
(57) **CLAIM**

The ornamental design for a display structure, as shown and described.

**DESCRIPTION**

FIG. 1 is a top front perspective view of a display structure showing the claimed design;  
 FIG. 2 is a front view thereof;  
 FIG. 3 is a right side view thereof;  
 FIG. 4 is a left side view thereof;  
 FIG. 5 is a top view thereof;  
 FIG. 6 is a top front perspective view of a display structure showing another embodiment of the claimed design;  
 FIG. 7 is a front view thereof;  
 FIG. 8 is a right side view thereof;  
 FIG. 9 is a left side view thereof; and,  
 FIG. 10 is a top view thereof.

(Continued)



Portions of the display structure not shown in the figures form no part of the claimed design.

**1 Claim, 8 Drawing Sheets**

(56)

**References Cited**

U.S. PATENT DOCUMENTS

D397,562 S	9/1998	DePottey et al.	
D398,653 S	9/1998	Hiraguchi et al.	
5,890,607 A *	4/1999	Maglione .....	A47F 5/105 108/108
D434,929 S	12/2000	Heiny et al.	
D438,256 S	2/2001	Timmermans et al.	
D443,308 S	6/2001	Kovell	
D468,134 S	1/2003	Oikawa	
D478,582 S	8/2003	Becker et al.	
D509,543 S	9/2005	Hillstrom et al.	
7,228,654 B2 *	6/2007	Stravitz .....	G09F 1/14 40/732
D559,577 S	1/2008	Quinn	
D584,075 S	1/2009	Hung	
D585,943 S	2/2009	Pymm et al.	
D590,630 S	4/2009	Singler et al.	
D591,531 S	5/2009	Sparkowski	
D591,974 S	5/2009	Singler et al.	
D592,422 S	5/2009	Rheault	
D610,832 S	3/2010	Rheault	
D613,344 S	4/2010	Hradisky	
D632,903 S	2/2011	Paul	
D636,441 S	4/2011	Potts	
D639,086 S	6/2011	Curbbun et al.	

D649,192 S	11/2011	Beukema et al.	
D657,978 S	4/2012	Hamm et al.	
D658,615 S	5/2012	Chiu	
D660,361 S	5/2012	Carver, Jr.	
D661,123 S	6/2012	Curbbun et al.	
D661,124 S	6/2012	Curbbun et al.	
8,228,668 B2 *	7/2012	Asamarai .....	F16M 11/046 248/125.2
D671,535 S	11/2012	Terashima et al.	
D678,696 S	3/2013	Hamm et al.	
D679,521 S	4/2013	Hamm et al.	
D688,494 S	8/2013	Hamm et al.	
D693,156 S	11/2013	Hamm et al.	
D700,901 S	3/2014	Giglio et al.	
D713,658 S	9/2014	Tio et al.	
D717,573 S	11/2014	Fishman et al.	
D722,313 S	2/2015	Birgeoglu	
D722,794 S	2/2015	Luong	
D723,025 S	2/2015	Birgeoglu	
D723,026 S	2/2015	Birgeoglu	
D725,108 S	3/2015	Yeon	
D727,995 S	4/2015	Vilcovsky	
D728,281 S	5/2015	Heirakuji et al.	
D730,852 S	6/2015	Park et al.	
D734,965 S	7/2015	Tio et al.	
D737,604 S	9/2015	Bridger et al.	
D742,455 S	11/2015	Denby et al.	
D742,870 S	11/2015	Berini	
D750,970 S	3/2016	Moreno	
D753,754 S	4/2016	Vilcovsky et al.	
D763,605 S	8/2016	Bridger et al.	
D770,203 S	11/2016	Thaler et al.	
2005/0279033 A1	12/2005	Faber et al.	
2014/0306584 A1	10/2014	DeMars	

\* cited by examiner

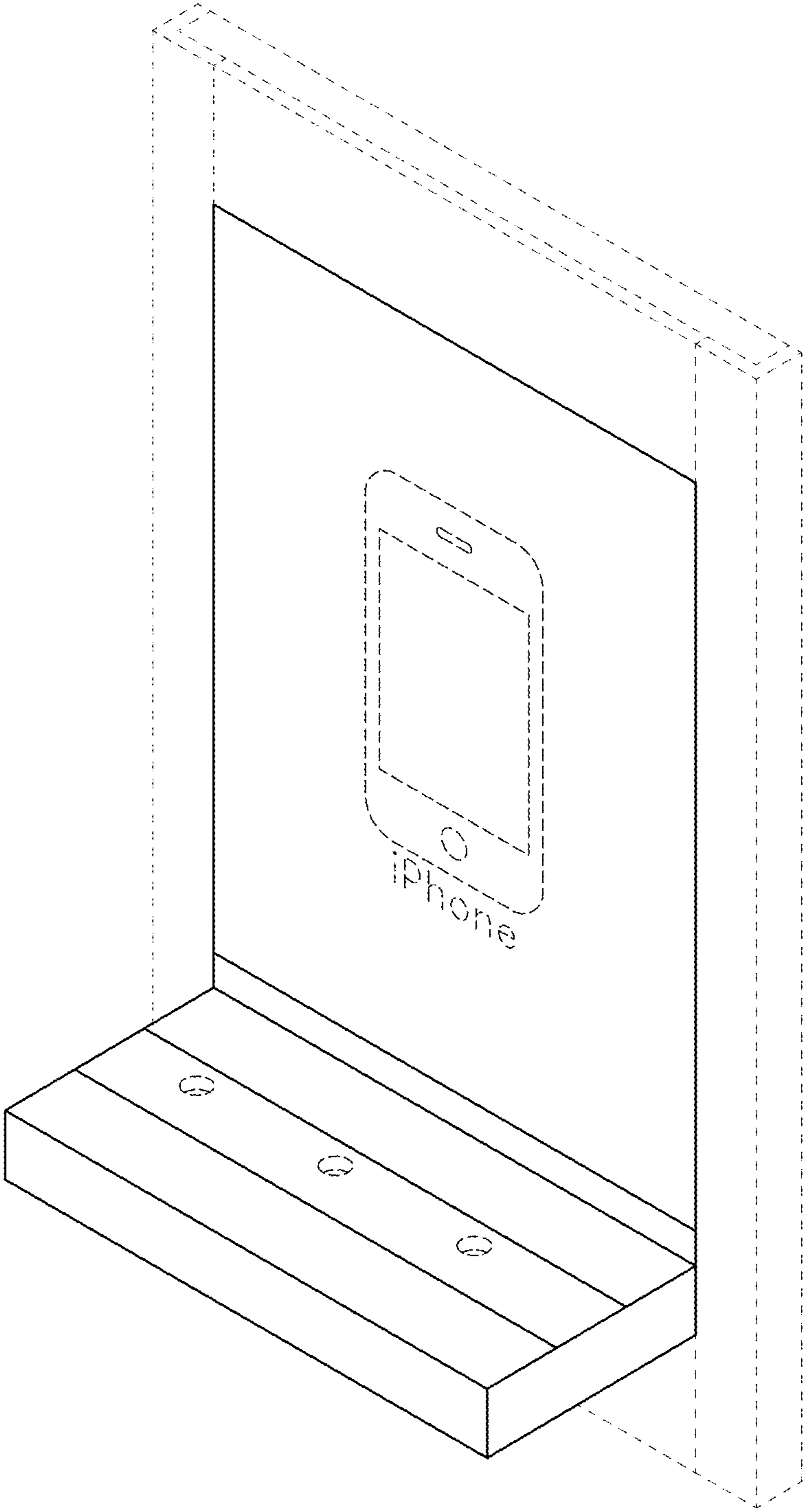
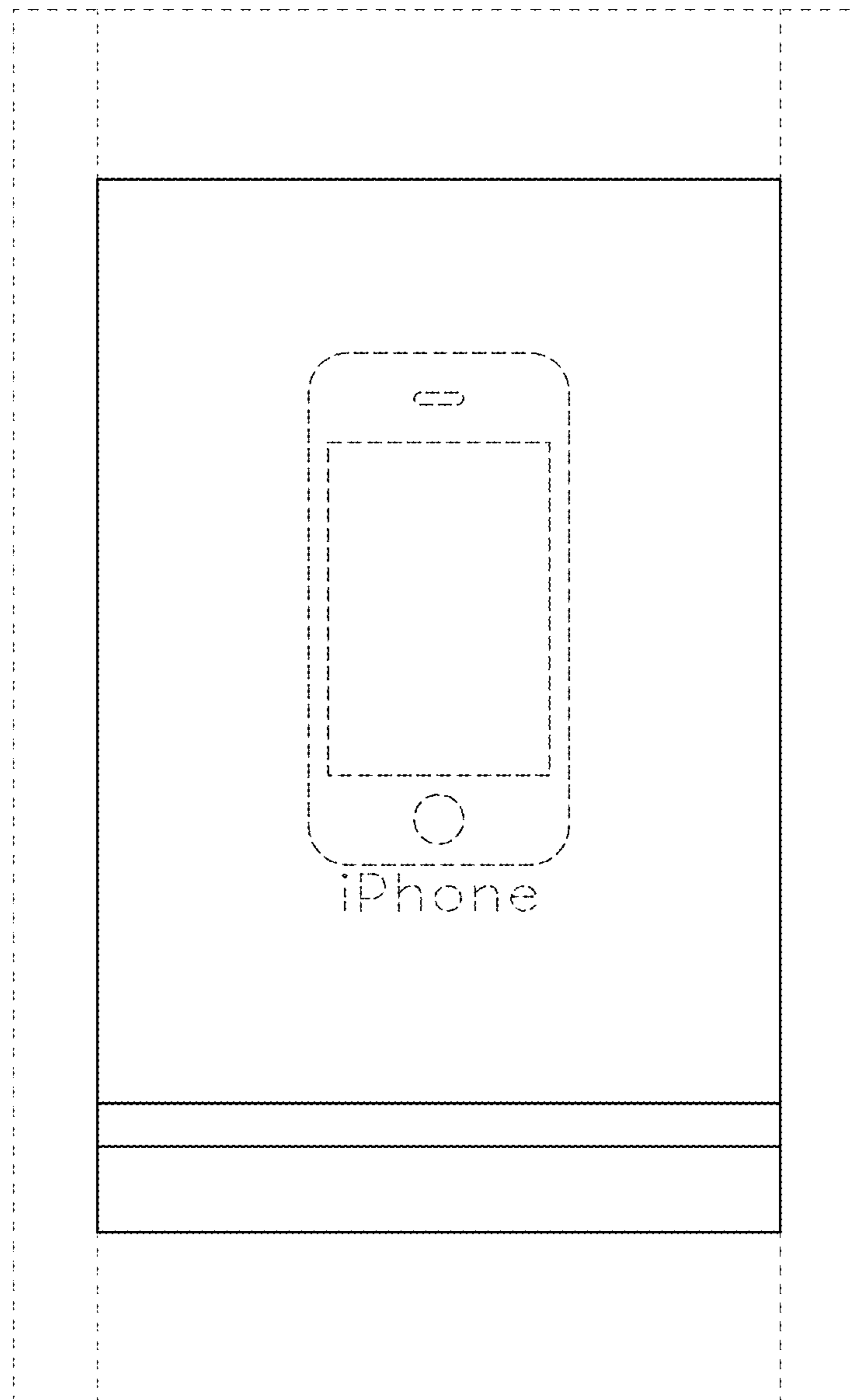
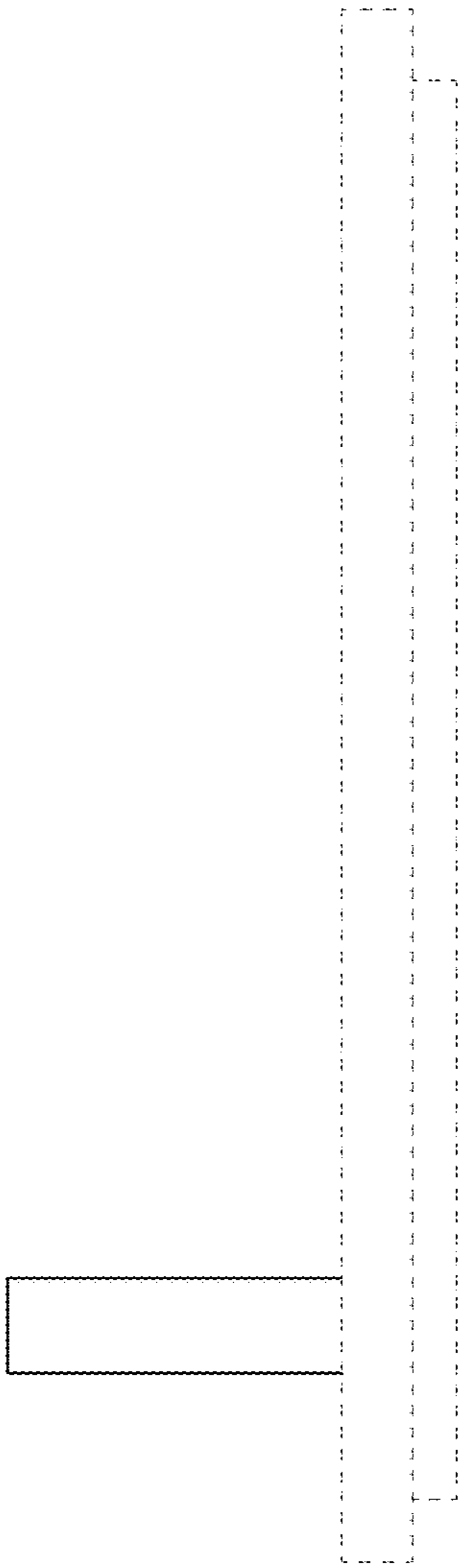


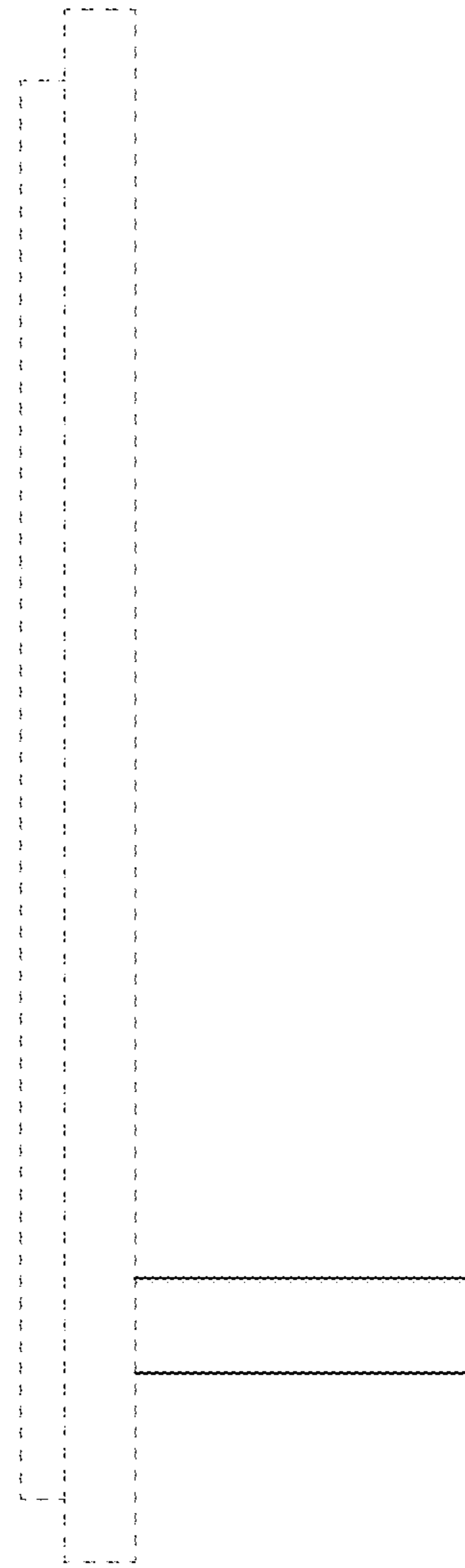
FIG. 1



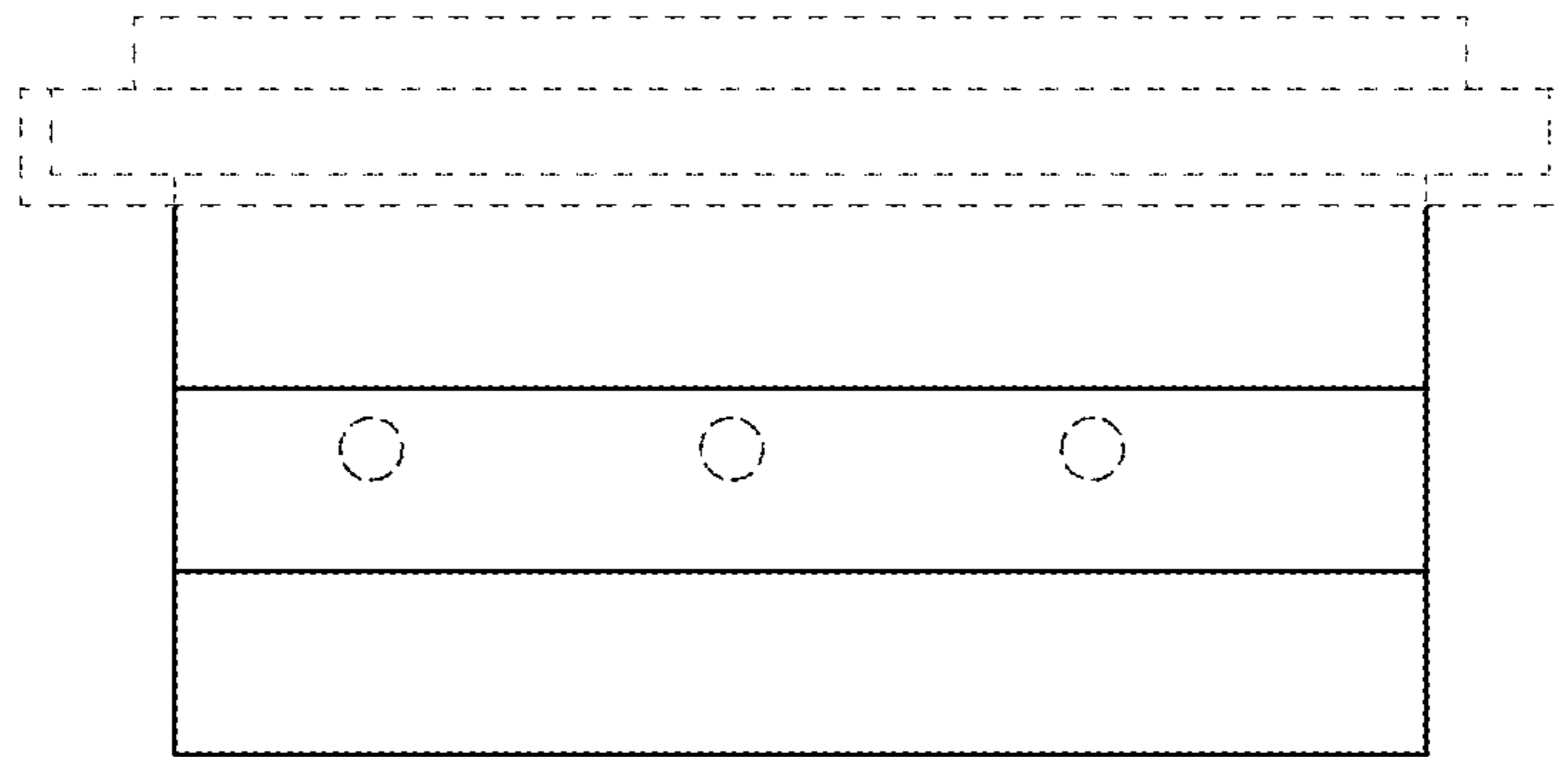
**FIG. 2**



**FIG. 3**



**FIG. 4**



**FIG. 5**

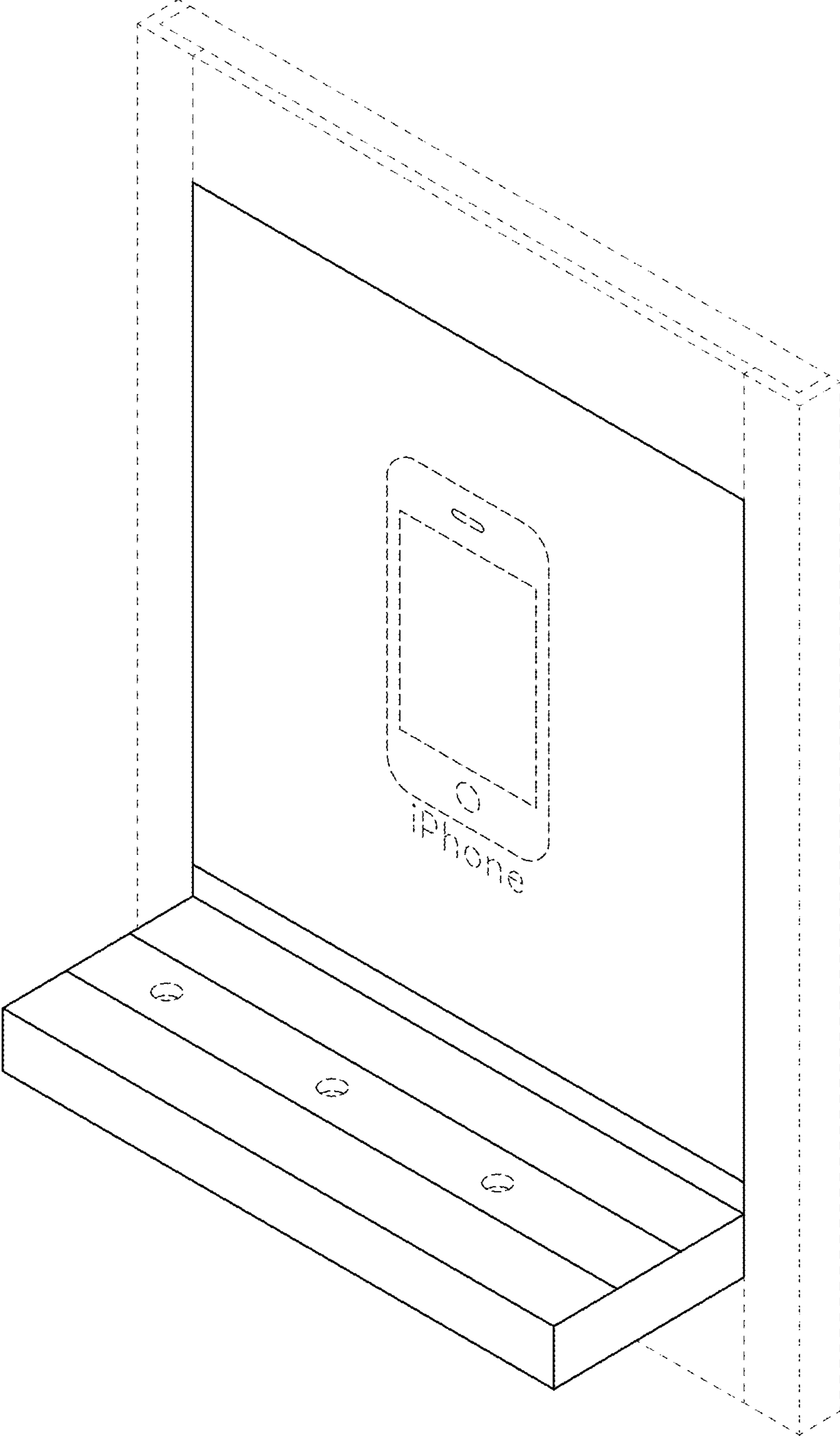
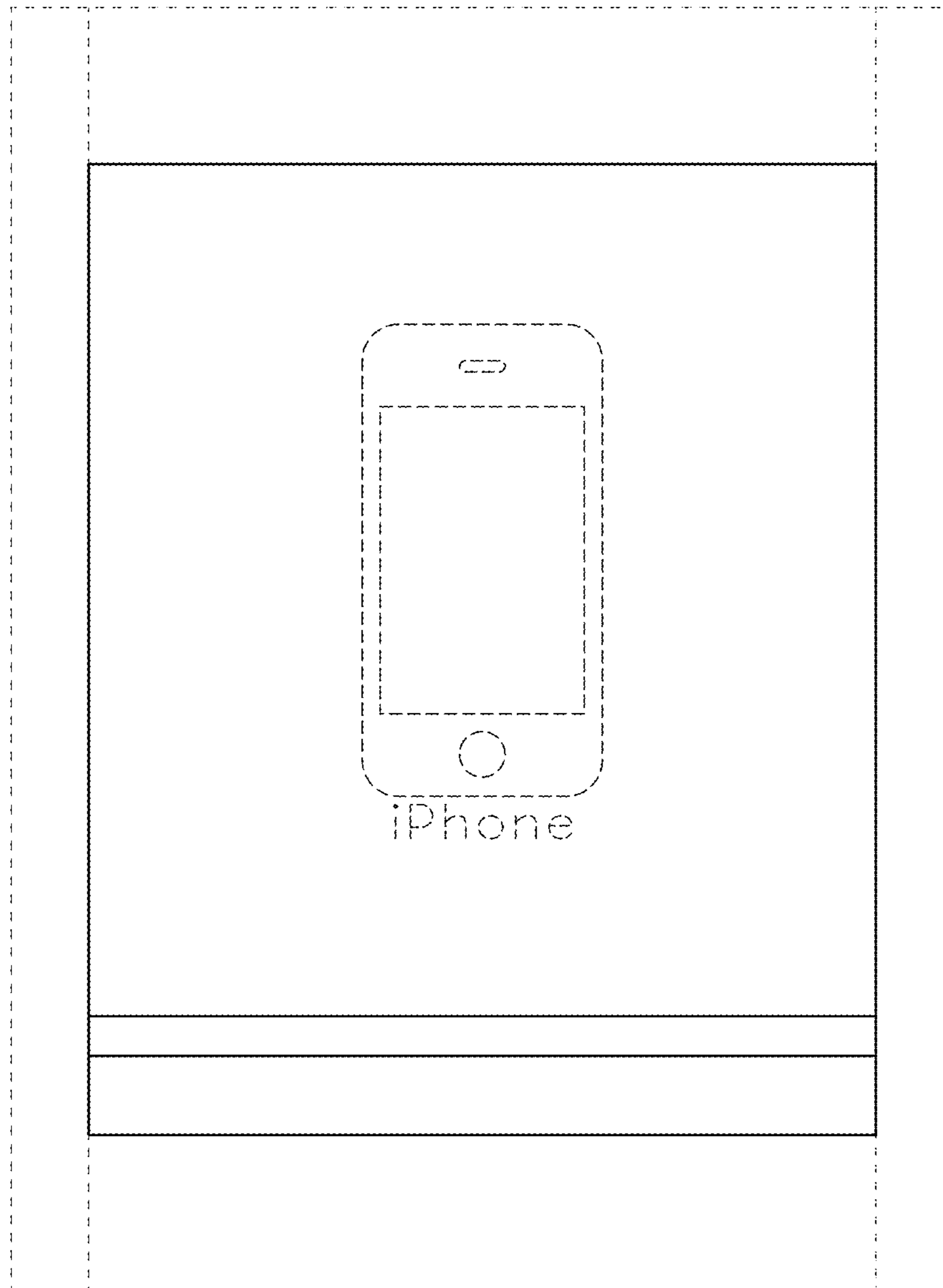


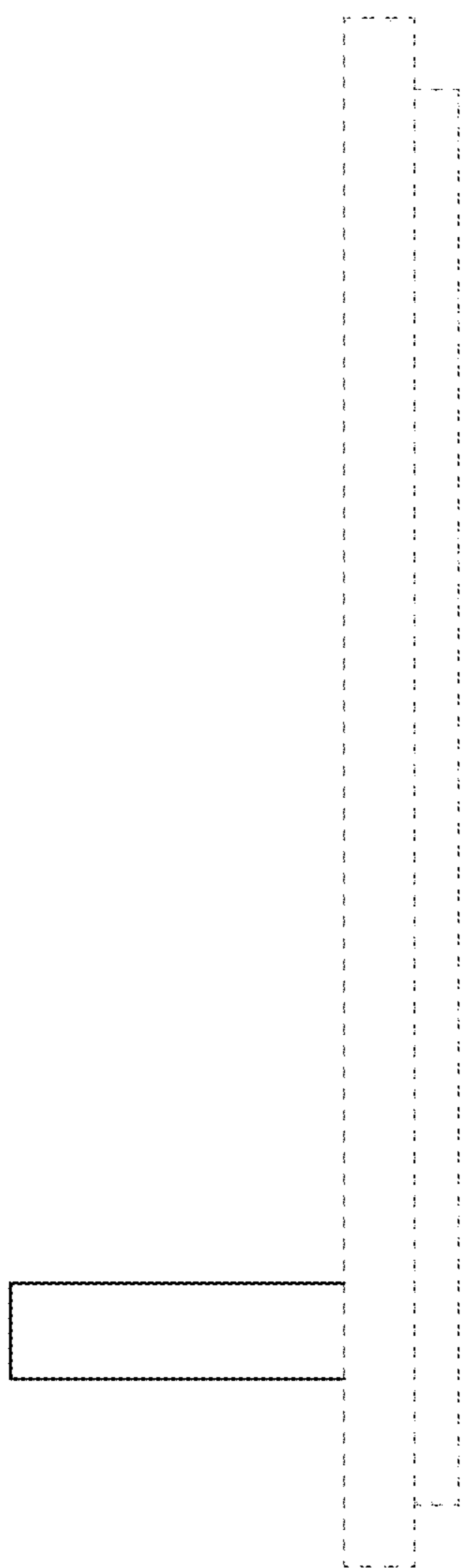
FIG. 6



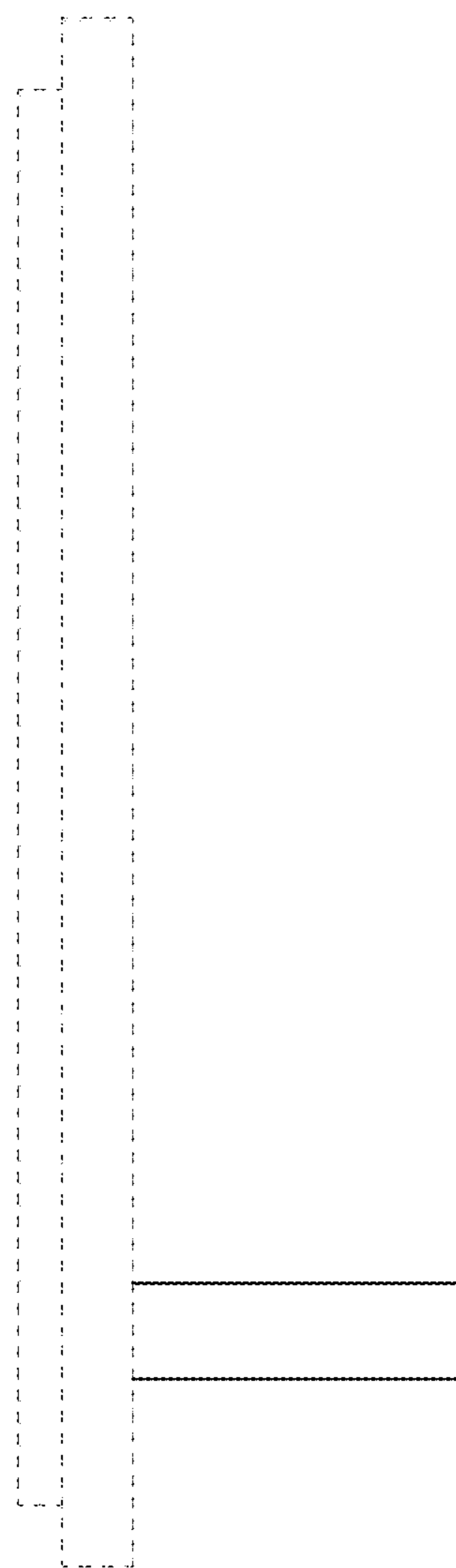


**FIG. 7**

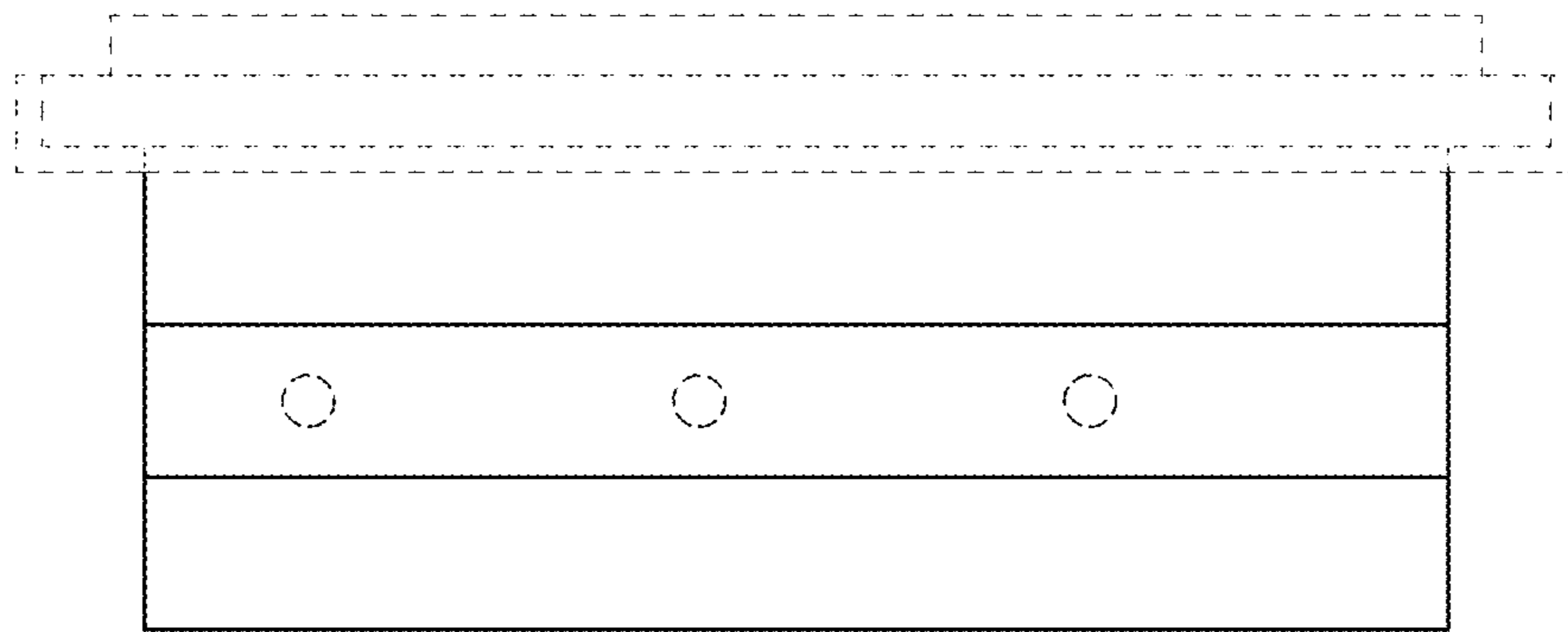




**FIG. 8**



**FIG. 9**



**FIG. 10**