



US00D824698S

(12) **United States Design Patent** (10) **Patent No.:** **US D824,698 S**
Pennington et al. (45) **Date of Patent:** **** Aug. 7, 2018**

(54) MATTRESS	4,970,743 A * 11/1990 Wride A47C 27/085 5/201
(71) Applicant: Diamond Mattress Company, Inc., Compton, CA (US)	5,127,115 A * 7/1992 Williams A47G 9/0246 112/475.08
(72) Inventors: Shaun Pennington , Rossmoor, CA (US); Jacob Hill , Huntington Beach, CA (US); Jered Goodyear , Huntington Beach, CA (US)	D356,917 S * 4/1995 Marshburn D5/52 D374,367 S * 10/1996 Bonaddio 5/736 D375,426 S * 11/1996 Bonaddio D5/53 D379,014 S * 4/1997 Woods, II D30/118 5,970,544 A * 10/1999 Kardell A47G 9/0246 5/496
(73) Assignee: Diamond Mattress Company, Inc., Compton, CA (US)	D468,951 S * 1/2003 Harris D6/596 D486,027 S * 2/2004 Baxter D6/596 D488,661 S * 4/2004 Barman D6/596 6,799,344 B2 * 10/2004 Gladney A47C 27/002 5/652
(**) Term: 15 Years	7,748,066 B2 * 7/2010 Gladney A47C 27/061 5/710

(21) Appl. No.: **29/545,870**

(22) Filed: **Nov. 17, 2015**

(51) **LOC (11) Cl.** **06-09**

(52) **U.S. Cl.**
USPC **D6/605**

(58) **Field of Classification Search**
USPC D6/582-583, 587-592, 595-609,
D6/617-622; D2/719, 921
CPC A47G 9/00; A47G 2009/001; A47G
2009/002; A47G 2009/003; A47G
2009/005; A47G 2009/006; A47G 9/02;
A47G 9/0215; A47G 9/0223; A47G
9/023; A47G 9/0238; A47G 9/06; A47G
9/062; A47G 9/066; A47G 9/068; A47G
9/0248; A47G 9/08; A47G 9/04; A47G
11/002; A47G 11/001; A47G 11/003
See application file for complete search history.

(56) **References Cited**

U.S. PATENT DOCUMENTS

D102,646 S *	1/1937	Bowersox et al.	D6/605
3,047,888 A *	8/1962	Shecter	A47C 27/15 428/218
4,862,538 A *	9/1989	Spann	A61G 7/05707 5/730
D304,652 S *	11/1989	Viesturs	D6/604

(Continued)

Primary Examiner — Mary Ann Calabrese
Assistant Examiner — Jennifer L Rempfer
(74) *Attorney, Agent, or Firm* — Woodard, Emhardt,
Moriarty, McNett & Henry LLP

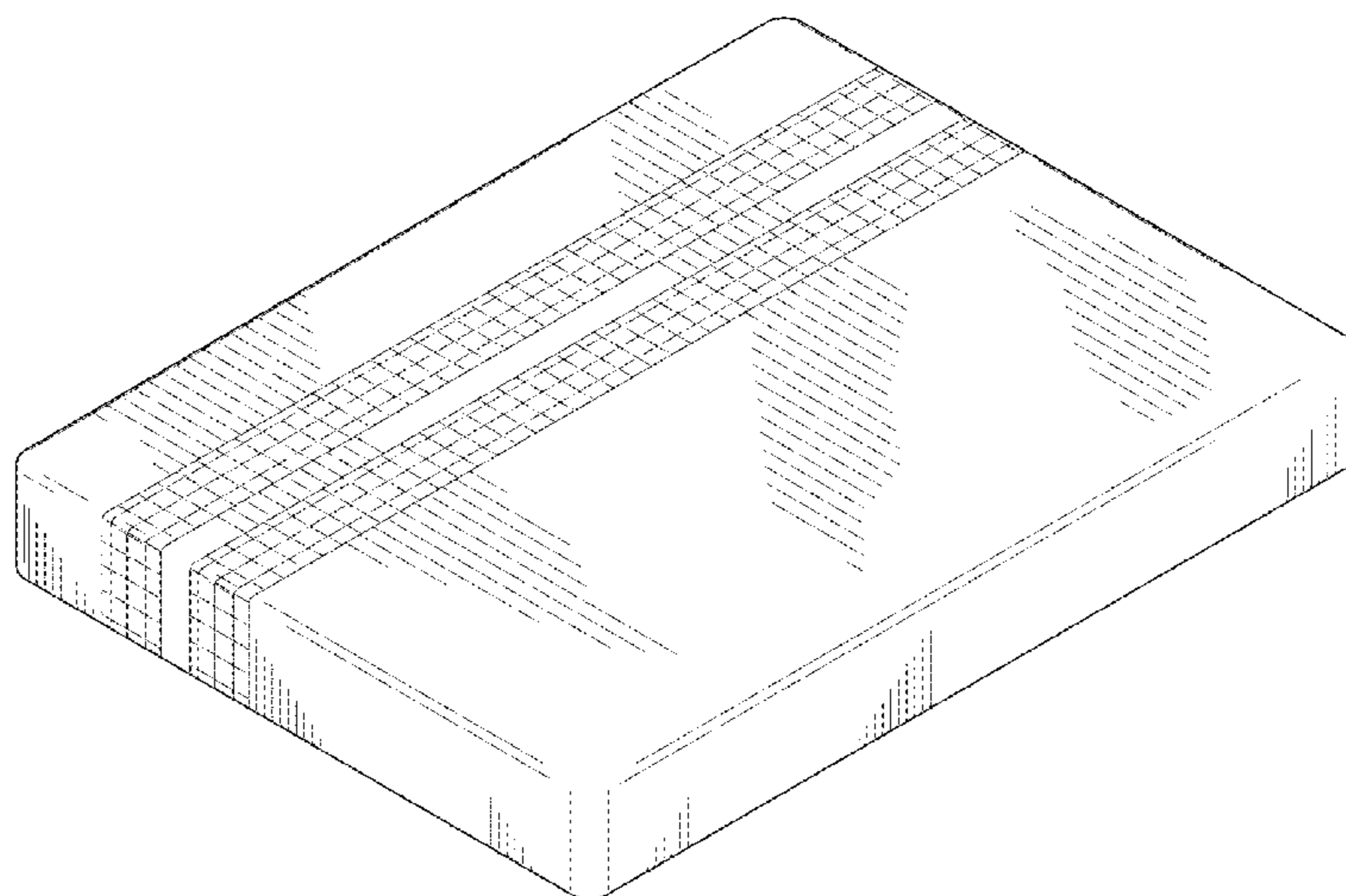
(57) **CLAIM**

The ornamental design for a mattress, as shown and described.

DESCRIPTION

FIG. 1 is a perspective view of a mattress showing our new design.
FIG. 2 is a top view of the FIG. 1 mattress.
FIG. 3 is a bottom view of the FIG. 1 mattress.
FIG. 4 is a front view of the FIG. 1 mattress.
FIG. 5 is a rear view of the FIG. 1 mattress.
FIG. 6 is a left side view of the FIG. 1 mattress; and,
FIG. 7 is a right side view of the FIG. 1 mattress.
The cross-hatch pattern within the mattress stripes are indicative of the stripes having a contrasting appearance from the rest of the mattress.

1 Claim, 3 Drawing Sheets



(56)

References Cited

U.S. PATENT DOCUMENTS

D634,148	S *	3/2011	Morrison	D6/605
D640,082	S *	6/2011	Morrison	D6/605
D670,126	S *	11/2012	Price	D6/605
D687,655	S *	8/2013	Price	D6/605
D705,580	S *	5/2014	Jorgensen	D6/605
D707,986	S *	7/2014	Arnold	D6/605
D724,865	S *	3/2015	Jensen	D5/56
D728,277	S *	5/2015	Jensen	D5/56
9,138,066	B1 *	9/2015	Goenka	A47C 31/105
9,167,919	B2 *	10/2015	Walker	A47C 27/007
D775,864	S *	1/2017	Bertoncello	D6/605
D782,221	S *	3/2017	Wightman	D6/605
9,808,202	B2 *	11/2017	Wu	A61B 5/6892
D804,853	S *	12/2017	Wightman	D6/605
D804,855	S *	12/2017	Ross	D6/606
2010/0313356	A1 *	12/2010	Morter	A47G 9/0246
				5/497
2011/0099722	A1 *	5/2011	Moret	A47C 27/056
				5/701

* cited by examiner

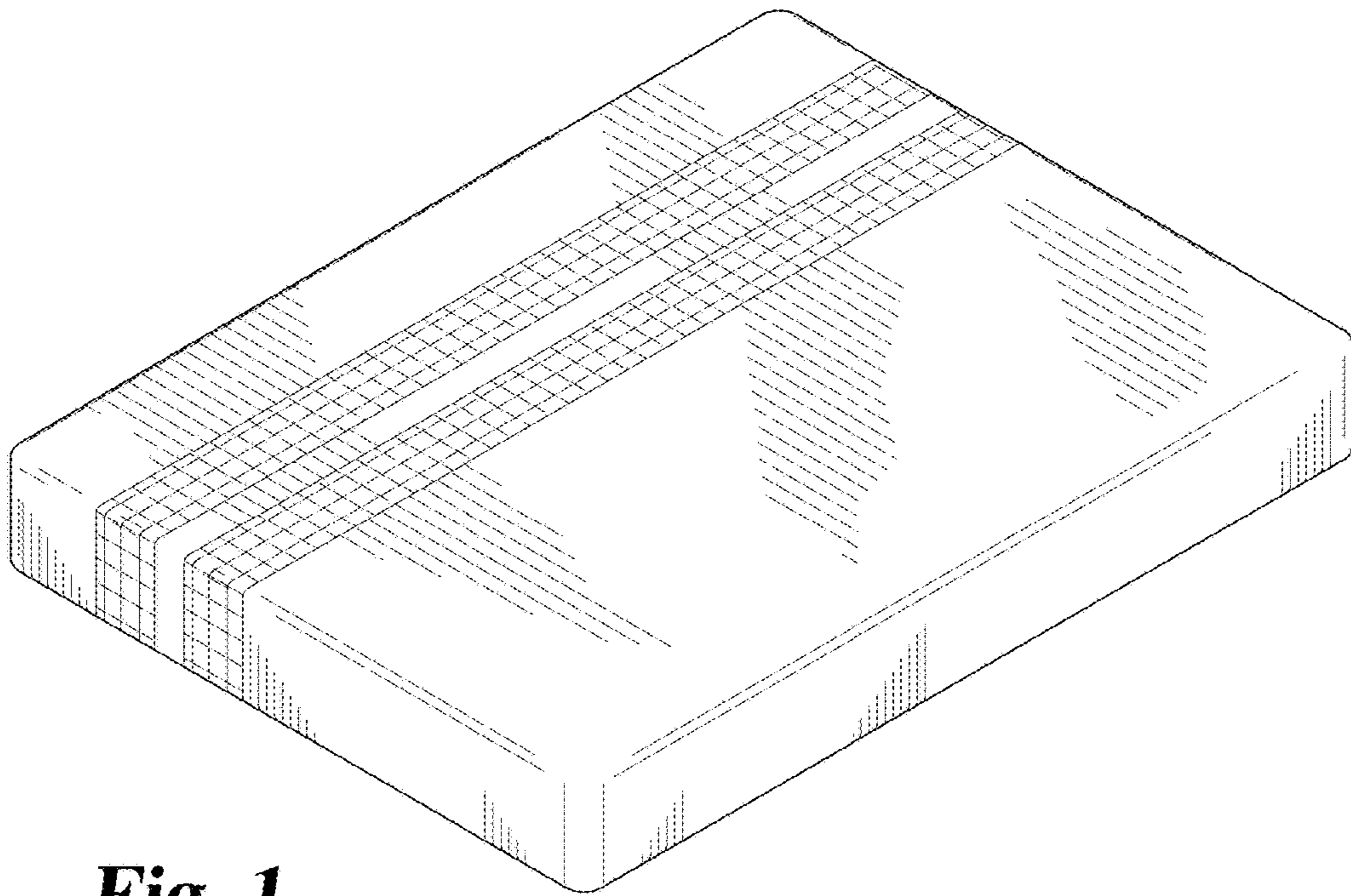


Fig. 1

Fig. 2

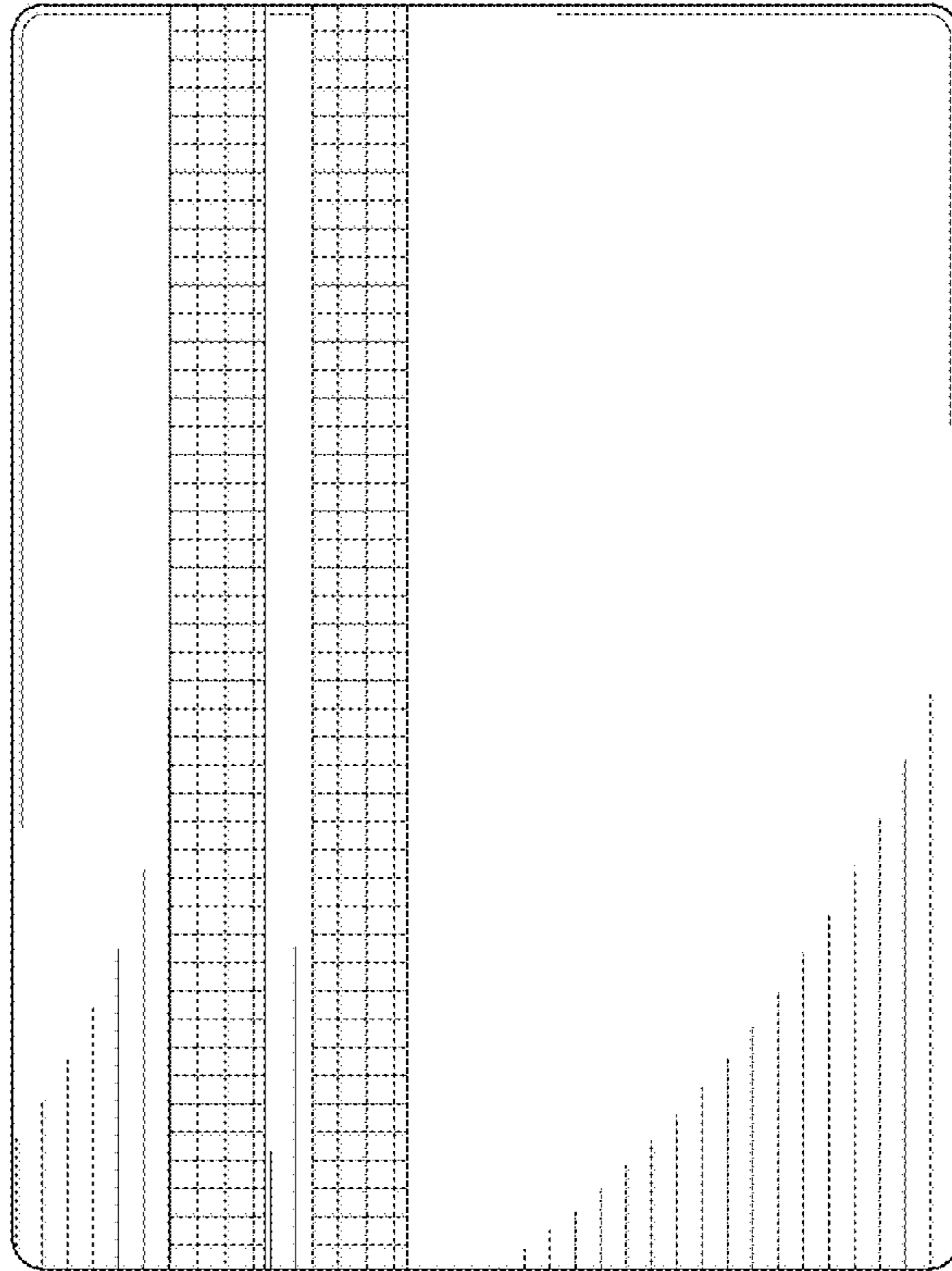


Fig. 3

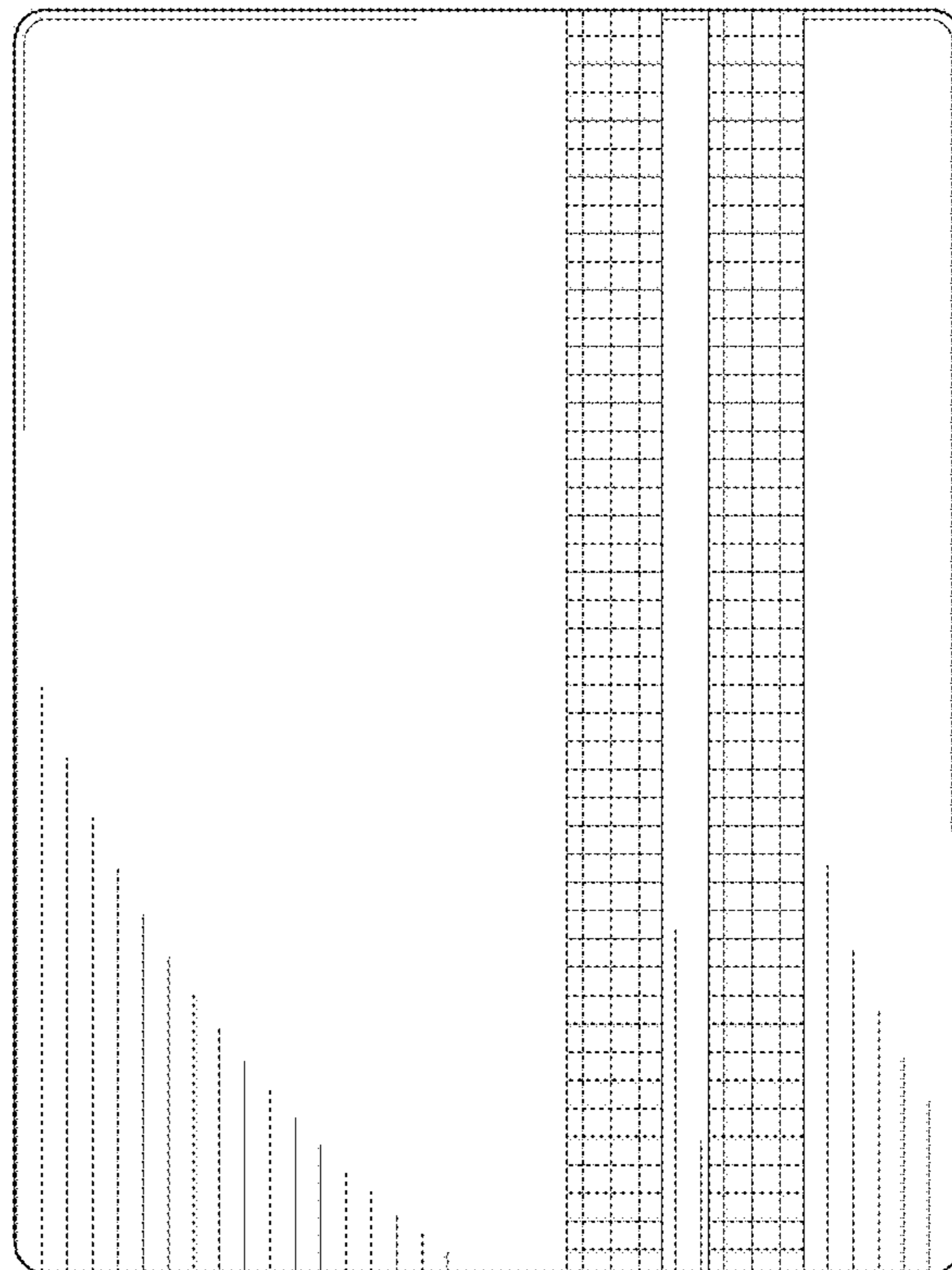


Fig. 4

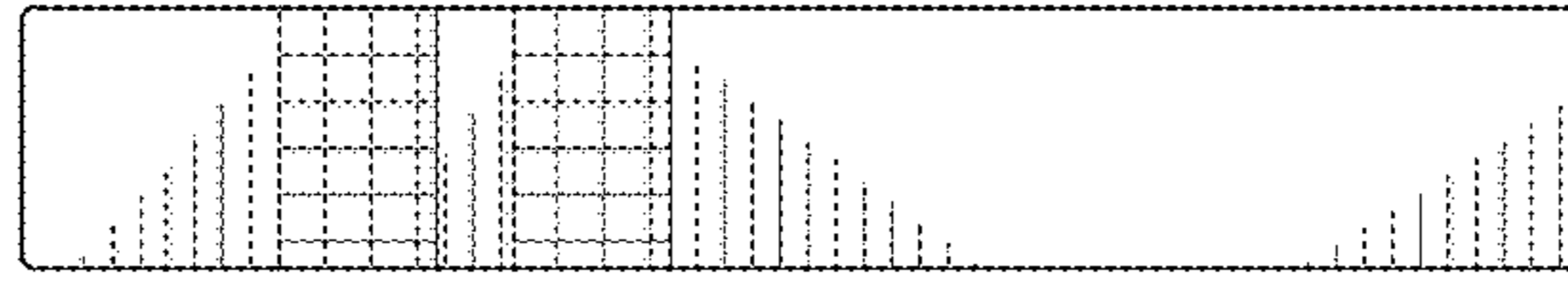


Fig. 5

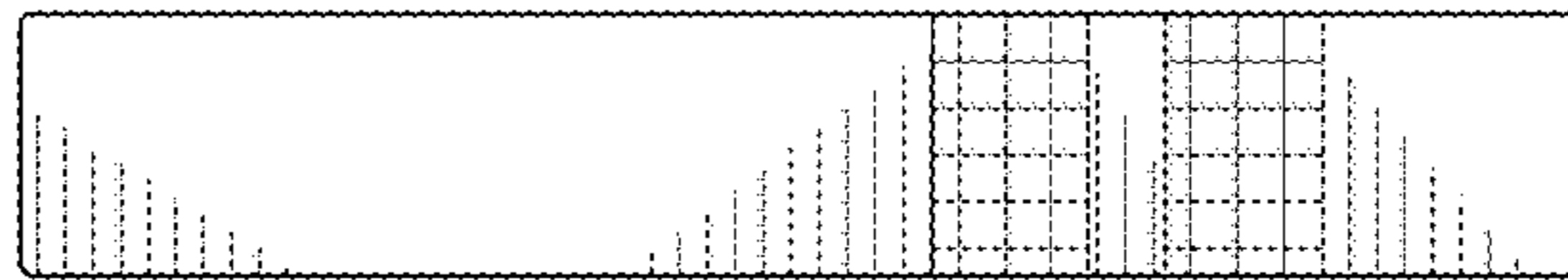


Fig. 6

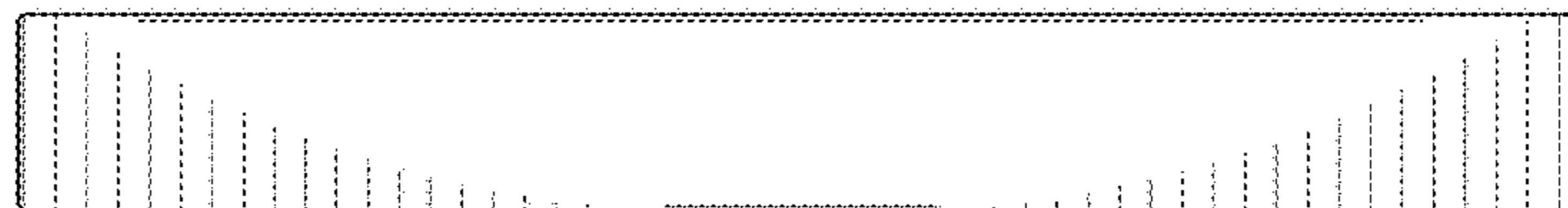


Fig. 7

