



US00D824695S

(12) **United States Design Patent** (10) **Patent No.:** **US D824,695 S**  
**Campilii** (45) **Date of Patent:** **\*\* Aug. 7, 2018**

(54) **SPINAL PILLOW**  
(71) Applicant: **Christian D. Campilii**, Fishkill, NY  
(US)  
(72) Inventor: **Christian D. Campilii**, Fishkill, NY  
(US)  
(\*\*) Term: **15 Years**

D376,945 S \* 12/1996 Bonaddio ..... 5/420  
D386,643 S \* 11/1997 Farrell ..... D6/596  
D392,495 S \* 3/1998 Baousson ..... D6/596  
5,833,708 A \* 11/1998 Czaplak ..... A47C 3/16  
606/237  
5,836,653 A \* 11/1998 Albecker ..... A47C 1/146  
297/452.31  
D407,259 S \* 3/1999 Jackson ..... D6/601  
(Continued)

(21) Appl. No.: **29/572,234**  
(22) Filed: **Jul. 26, 2016**  
(51) **LOC (11) Cl.** ..... **06-09**  
(52) **U.S. Cl.**  
USPC ..... **D6/601**  
(58) **Field of Classification Search**  
USPC ..... D6/333, 349, 355, 375, 388, 512, 563,  
D6/564, 595, 596, 601, 604, 611, 707,  
D6/715, 716, 716.1; D24/183-185, 234;  
D21/803, 804, 805, 809; 5/401, 420,  
5/600, 630, 631, 632, 633, 635, 636, 638,  
5/639, 646, 652, 652.1, 655, 703, 730;  
297/1, 2, 4, 93, 180.11, 195.1, 195.11,  
297/195.13, 393, 397, 452.12, 452.14,  
297/452.15, 452.21, 452.24, 452.26,  
297/452.48, 452.62, 482  
CPC ..... A47G 9/10; A47G 9/1009; A47G 9/1027;  
A47G 9/1045; A47G 9/1063; A47G  
9/1072; A47G 9/1081  
See application file for complete search history.

**OTHER PUBLICATIONS**

Inflatable Portable Bed Wedge, announced unknown, [online], [site visited May 17, 2018]. Available from Internet, <URL: [https://www.wantitall.co.za/healthpersonalcare/inflatable-portable-bed-wedge-with-quick-inflate-deflate-valve-and-soft-surface\\_b074wgfkkp](https://www.wantitall.co.za/healthpersonalcare/inflatable-portable-bed-wedge-with-quick-inflate-deflate-valve-and-soft-surface_b074wgfkkp)> (Year: 2018).\*

(Continued)

*Primary Examiner* — Michelle E. Wilson  
*Assistant Examiner* — Sanjeev Paul  
(74) *Attorney, Agent, or Firm* — Arthur K Shaffer;  
Intellectual Property Center, LLC.

(57) **CLAIM**

The ornamental design for a spinal pillow, as shown and described herein.

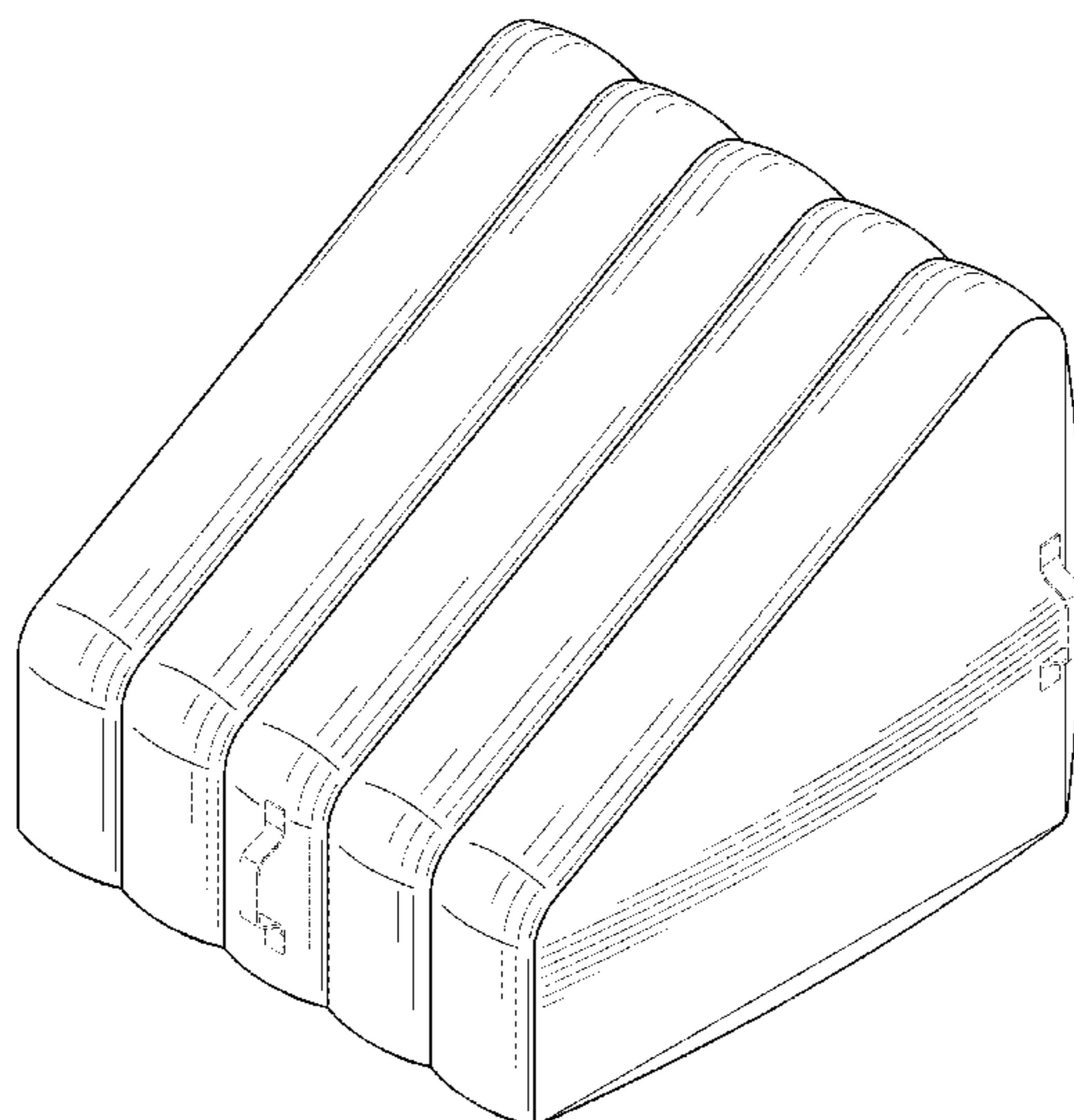
**DESCRIPTION**

FIG. 1 is a right side perspective view of the spinal pillow in accordance with the new design;  
FIG. 2 is a right side elevation thereof, the right and left sides being mirror images of each other;  
FIG. 3 is a front elevation thereof;  
FIG. 4 is a back elevation thereof;  
FIG. 5 is a top plan view thereof; and,  
FIG. 6 is a bottom plan view thereof.  
The broken and dashed lines shown in the drawings FIGS. 1-6 are included for the purpose of illustrating portions of the spinal pillow that form no part of the claimed design.

**1 Claim, 6 Drawing Sheets**

(56) **References Cited**  
U.S. PATENT DOCUMENTS

D211,721 S \* 7/1968 Larsen ..... 5/636  
D215,536 S \* 10/1969 Radford ..... D6/601  
D326,976 S \* 6/1992 Wickis, Jr. .... D24/183  
D356,919 S \* 4/1995 Nadeau ..... 5/633  
5,432,967 A \* 7/1995 Raftery ..... A47C 16/005  
5/633  
D370,066 S \* 5/1996 Kennemore ..... D24/183  
D370,821 S \* 6/1996 Mata ..... D6/596



(56)

References Cited

U.S. PATENT DOCUMENTS

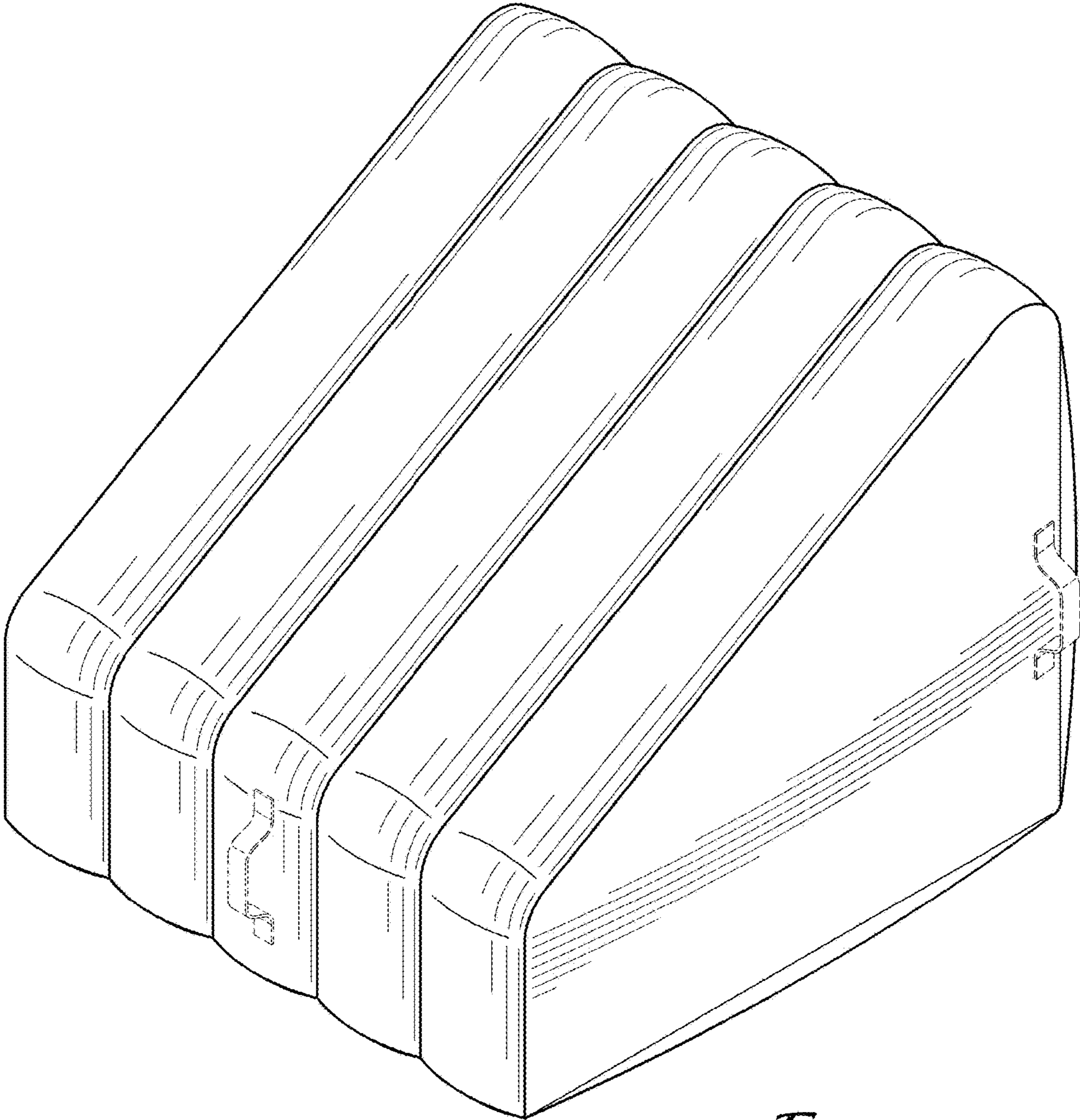
D416,428 S \* 11/1999 Jackson ..... 5/644  
 6,170,908 B1 \* 1/2001 Jewell ..... A47C 13/00  
 297/118  
 6,230,350 B1 \* 5/2001 Goldstein ..... A47C 20/026  
 5/636  
 D446,676 S \* 8/2001 Mayes ..... D6/601  
 6,360,387 B1 \* 3/2002 Everhart ..... A47C 20/027  
 5/490  
 D469,648 S \* 2/2003 Meldeau ..... D21/687  
 7,475,441 B1 \* 1/2009 Soberal ..... A47D 9/02  
 5/634  
 D587,507 S \* 3/2009 Martin ..... D6/604  
 D627,113 S \* 11/2010 Seliskar ..... D30/160  
 D634,568 S \* 3/2011 Fischnaller ..... D6/716.1  
 D635,265 S \* 3/2011 Coffey ..... D24/183  
 D637,030 S \* 5/2011 Khandai ..... D6/601  
 D642,412 S \* 8/2011 Cuba ..... D6/601  
 D651,840 S \* 1/2012 Davis, III ..... A47C 20/048  
 D6/601  
 D658,421 S \* 5/2012 Williams ..... D6/604

D663,426 S \* 7/2012 Davis, III ..... D24/183  
 D666,045 S \* 8/2012 Spencer ..... D6/601  
 D728,270 S \* 5/2015 Hauer ..... D6/601  
 D734,545 S \* 7/2015 Cantu ..... D28/57  
 D749,873 S \* 2/2016 Latrofa ..... D6/601  
 D749,875 S \* 2/2016 Sullivan ..... D6/604  
 D767,148 S \* 9/2016 Perreault ..... D24/183  
 D793,769 S \* 8/2017 Nacey ..... D6/601  
 D804,850 S \* 12/2017 Acosta De Nicolo ..... D6/601  
 D805,325 S \* 12/2017 Chan ..... D6/601  
 2010/0146708 A1 \* 6/2010 Sakata ..... A63B 21/00047  
 5/655.3

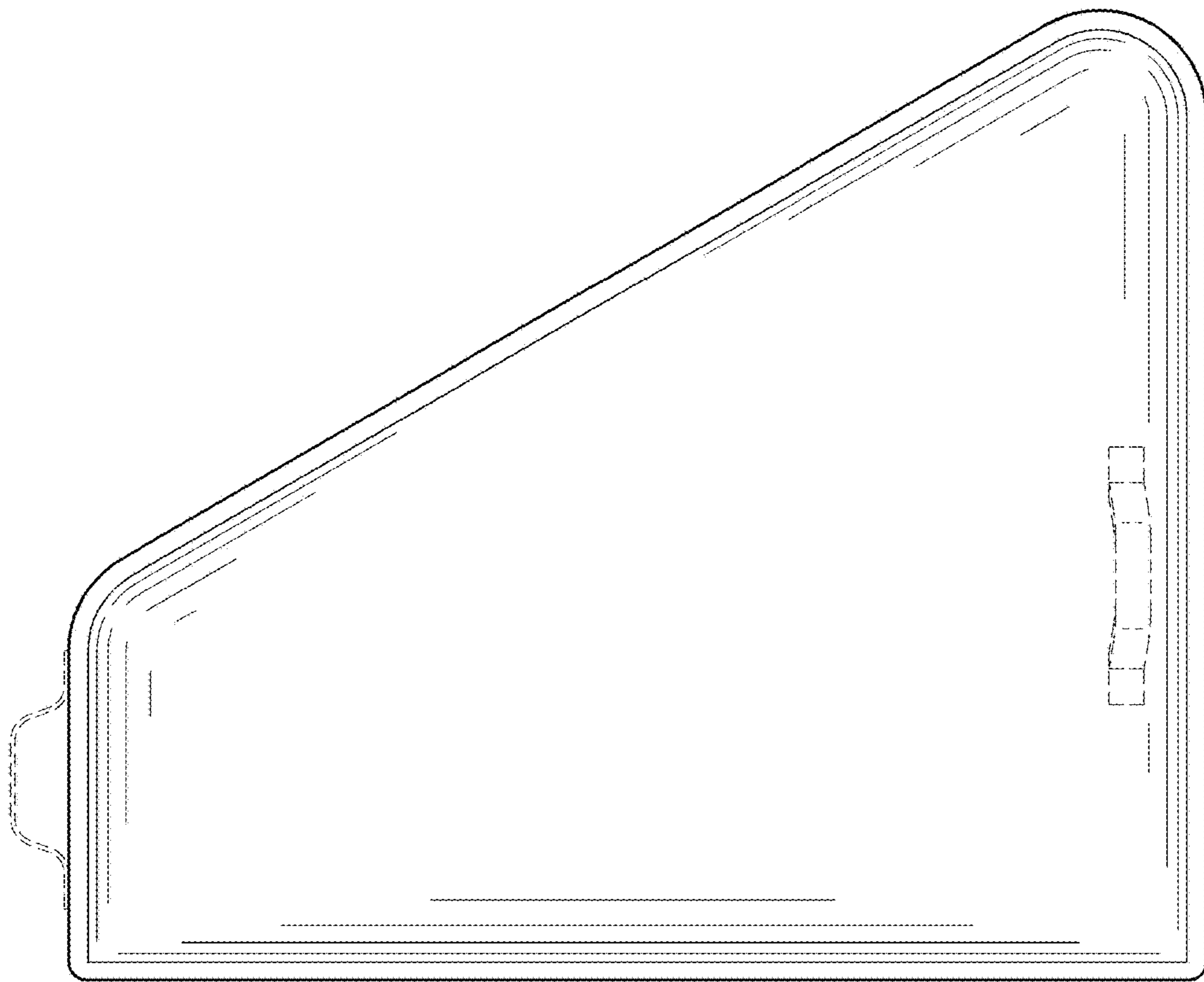
OTHER PUBLICATIONS

EDTara Sex Wedge inflatable Pillow, earliest review May 3, 2018, [online], [site visited May 17, 2018]. Available from Internet, <URL: <https://www.amazon.com/EDTara-Iflatable-Inflatable-Multifunctional-Self-entertainment/dp/B079Z4NQH#customerReviews>> (Year: 2018).\*

\* cited by examiner

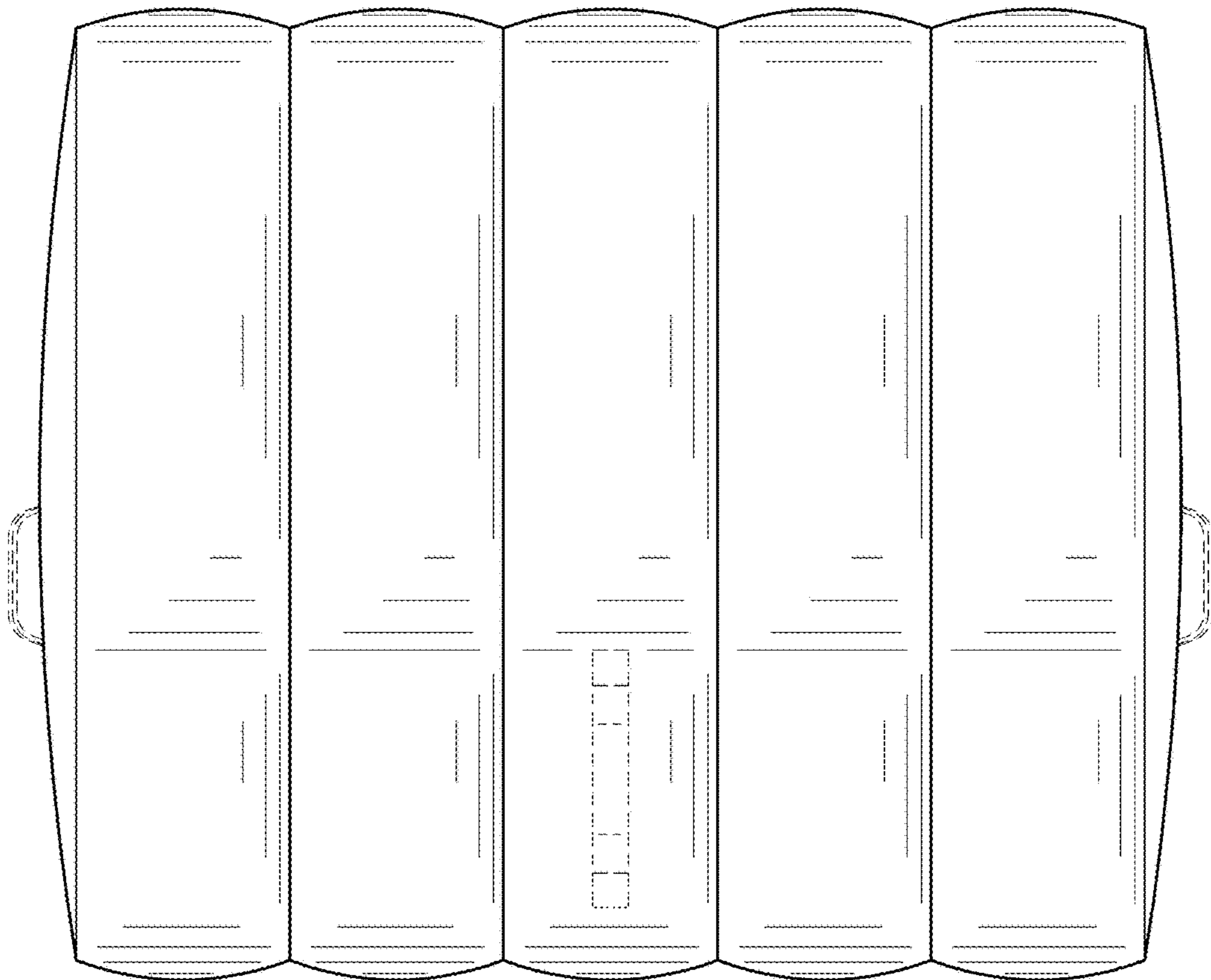


*Fig. 1*

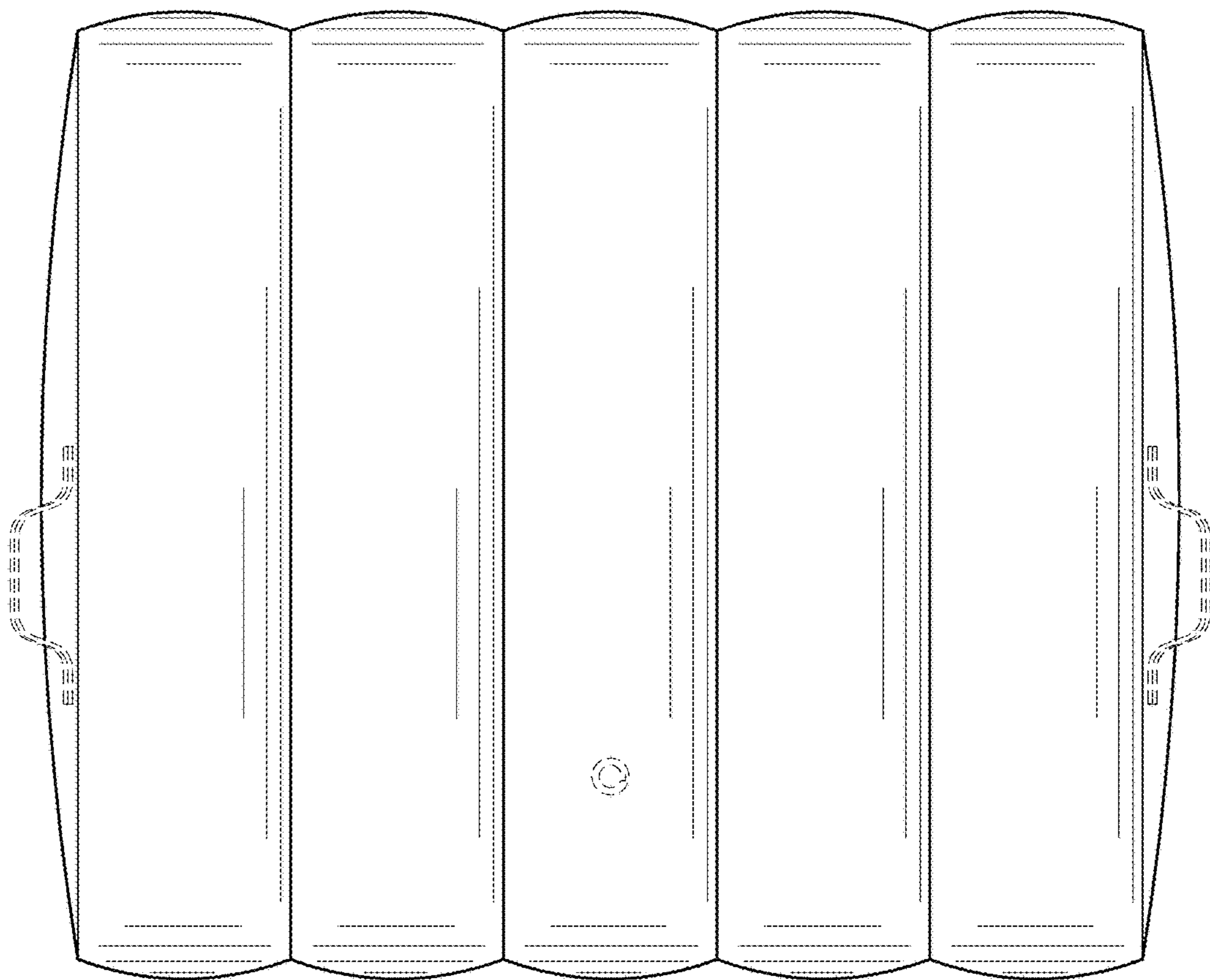


*Fig. 2*

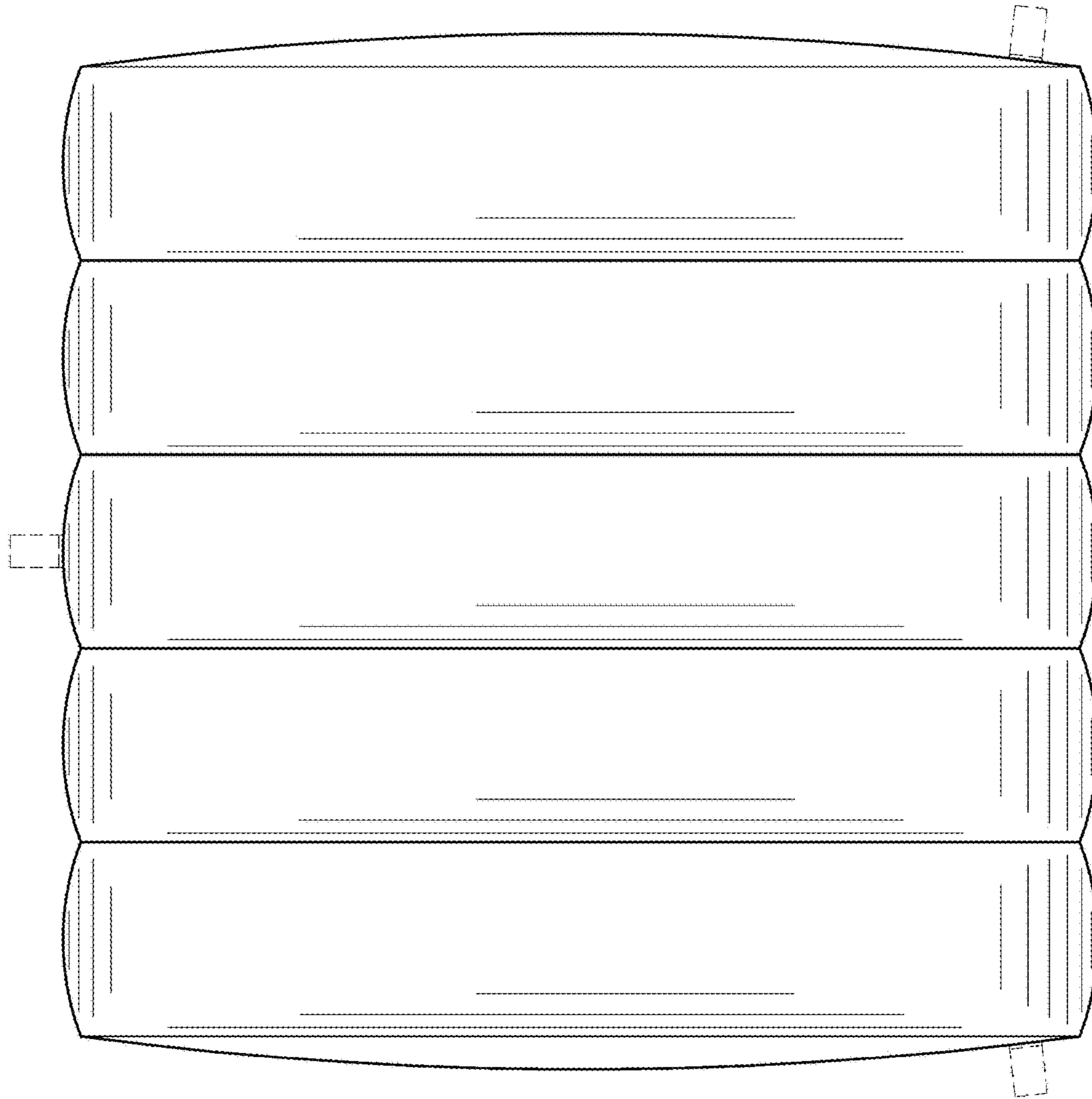




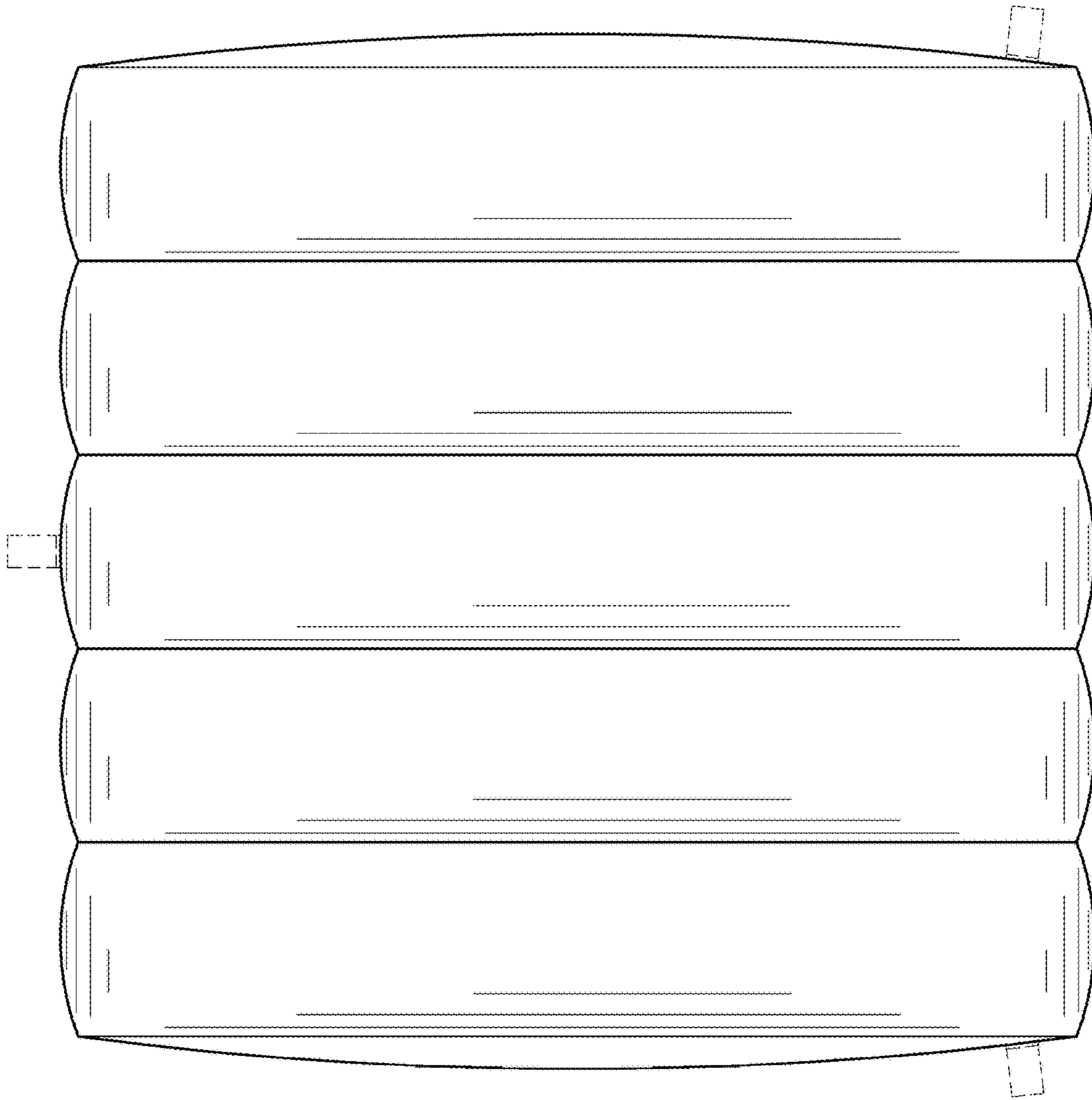
*Fig. 3*



*Fig. 4*



*Fig. 5*



*Fig. 6*