



US00D824694S

(12) **United States Design Patent**
Schaubach

(10) **Patent No.:** **US D824,694 S**

(45) **Date of Patent:** **** Aug. 7, 2018**

(54) **TOWEL BAR HUB**

(71) Applicant: **Spectrum Brands, Inc.**, Middleton, WI (US)

(72) Inventor: **Lauren Schaubach**, Costa Mesa, CA (US)

(73) Assignee: **Spectrum Brands, Inc.**, Middleton, WI (US)

(**) Term: **15 Years**

(21) Appl. No.: **29/590,050**

(22) Filed: **Jan. 6, 2017**

(51) **LOC (11) Cl.** **06-04**

(52) **U.S. Cl.**
USPC **D6/550**

(58) **Field of Classification Search**
USPC D6/550, 524, 528-531, 534; 206/361, 206/362, 362.1, 362.2, 362.3; 211/13.1, 211/60.1, 65, 66, 70.6, 89.01; 248/49, 248/175, 176.1, 200, 201, 205.1, 251, 248/302, 309.1, 315; 242/570, 590, 242/595-598
CPC A47K 5/02; A47K 10/10
See application file for complete search history.

(56) **References Cited**

U.S. PATENT DOCUMENTS

D400,381 S * 11/1998 Solowiej D6/550
D456,195 S 4/2002 Meck et al.

D466,347 S * 12/2002 Chen D6/550
D466,350 S * 12/2002 Tai D6/550
D504,042 S 4/2005 Wu
D533,384 S * 12/2006 Gilbert D6/550
D568,080 S * 5/2008 Bickler D6/524
D574,652 S 8/2008 Zhang
D585,268 S 1/2009 Woolley
D700,452 S 3/2014 Sale, Jr.
D704,952 S 5/2014 Chang
D718,114 S 11/2014 Elbl

* cited by examiner

Primary Examiner — Wan Laymon

Assistant Examiner — Mark Booker

(74) *Attorney, Agent, or Firm* — Banner & Witcoff, Ltd.

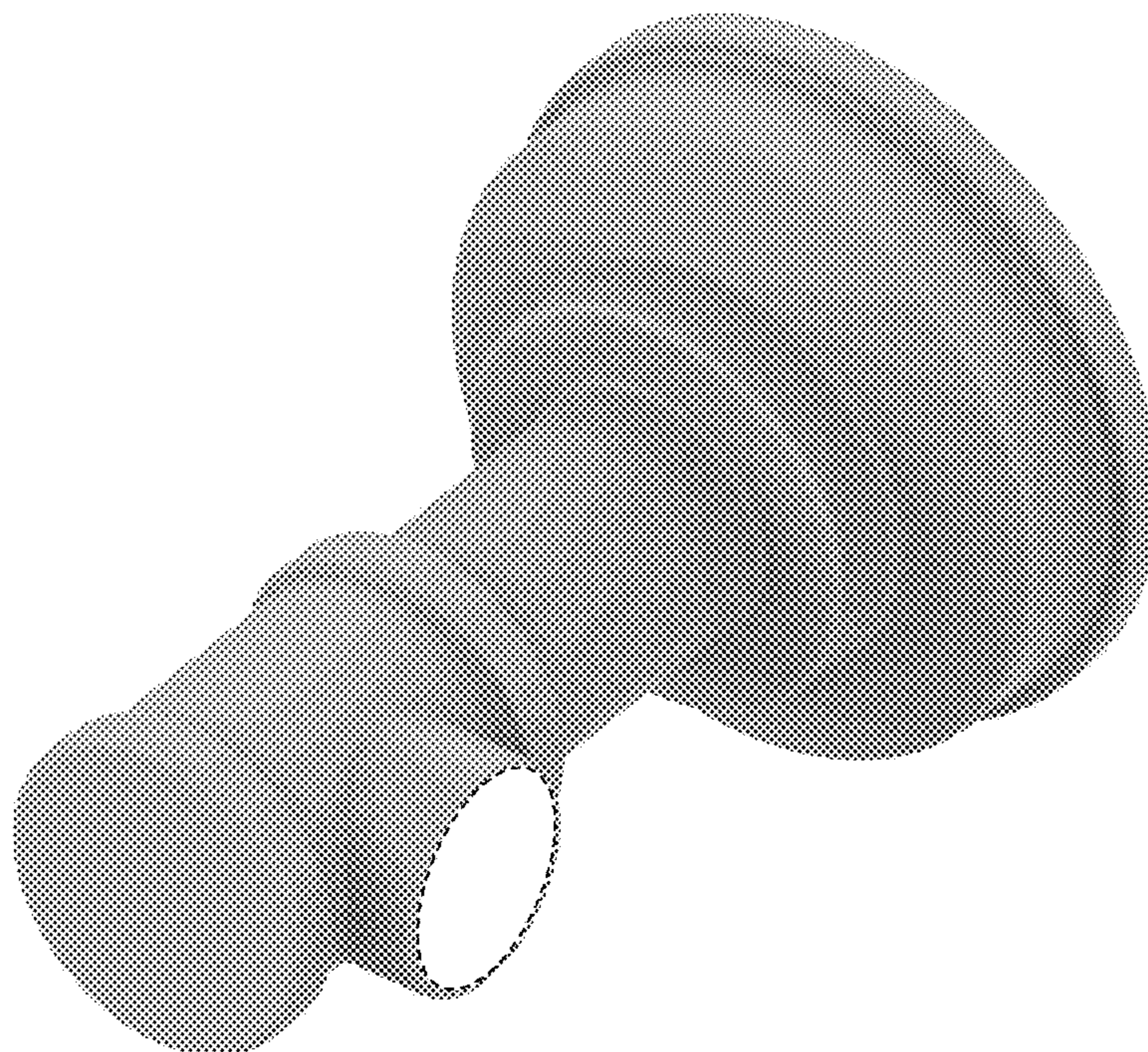
(57) **CLAIM**

The ornamental design for a towel bar hub, as shown and described.

DESCRIPTION

FIG. 1 is a front perspective view of a towel bar hub showing my new design;
FIG. 2 is a front view thereof;
FIG. 3 is a rear view thereof;
FIG. 4 is a right side view thereof;
FIG. 5 is a left side view thereof;
FIG. 6 is a top view thereof; and,
FIG. 7 is a bottom view thereof.
The broken line showing of various regions represents unclaimed subject matter and forms no part of the claimed design.

1 Claim, 5 Drawing Sheets



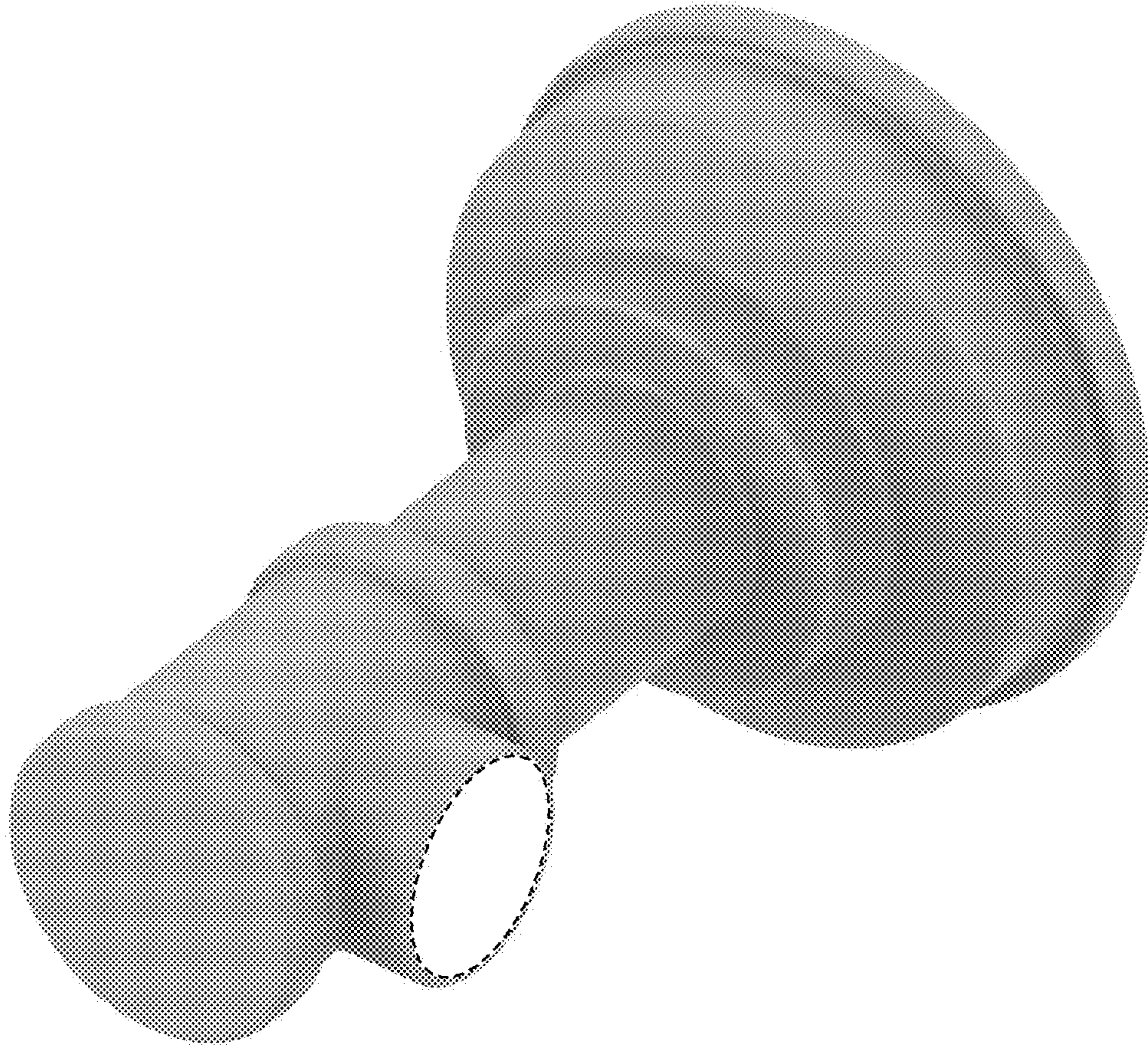


FIG. 1

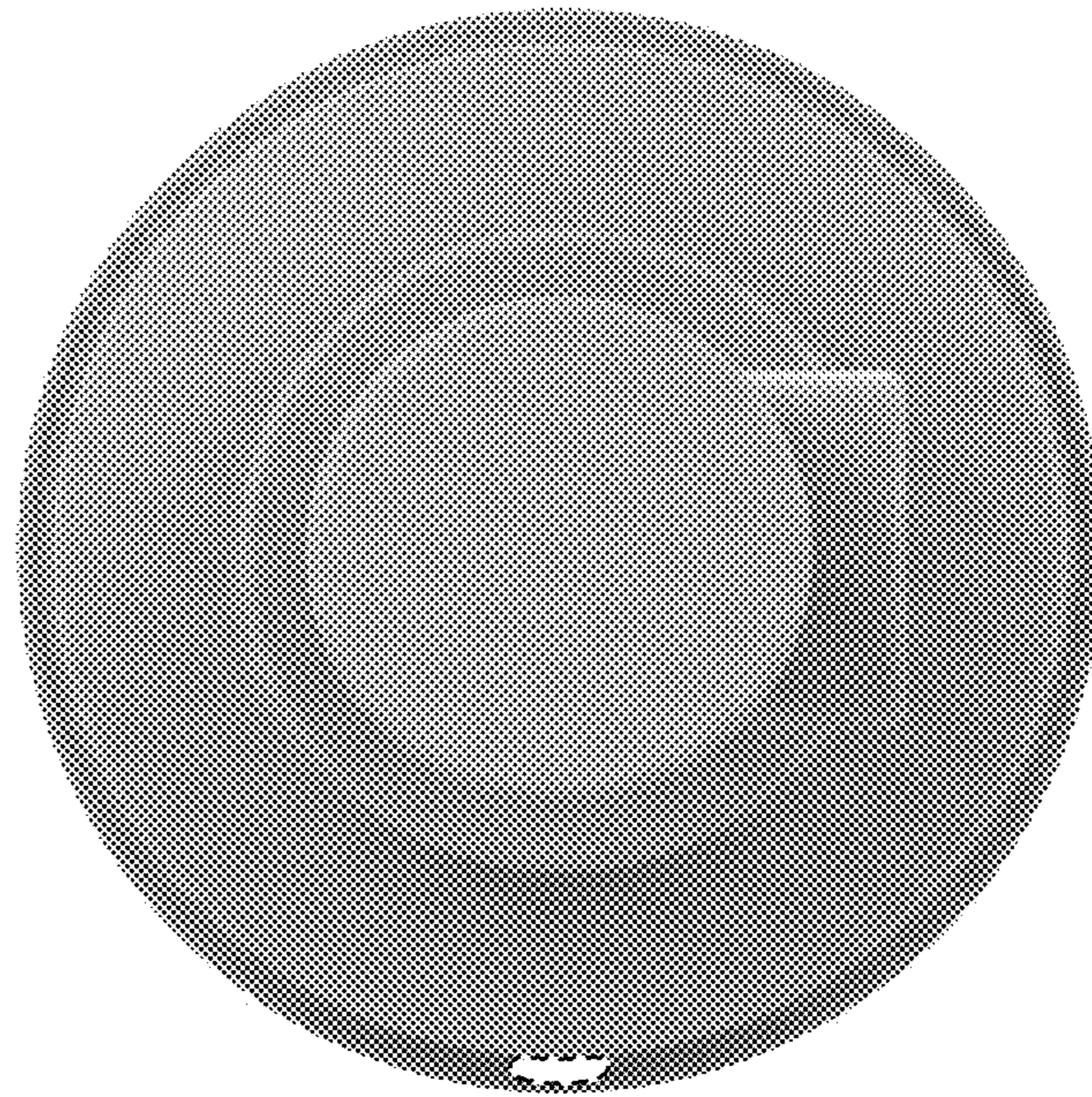


FIG. 2

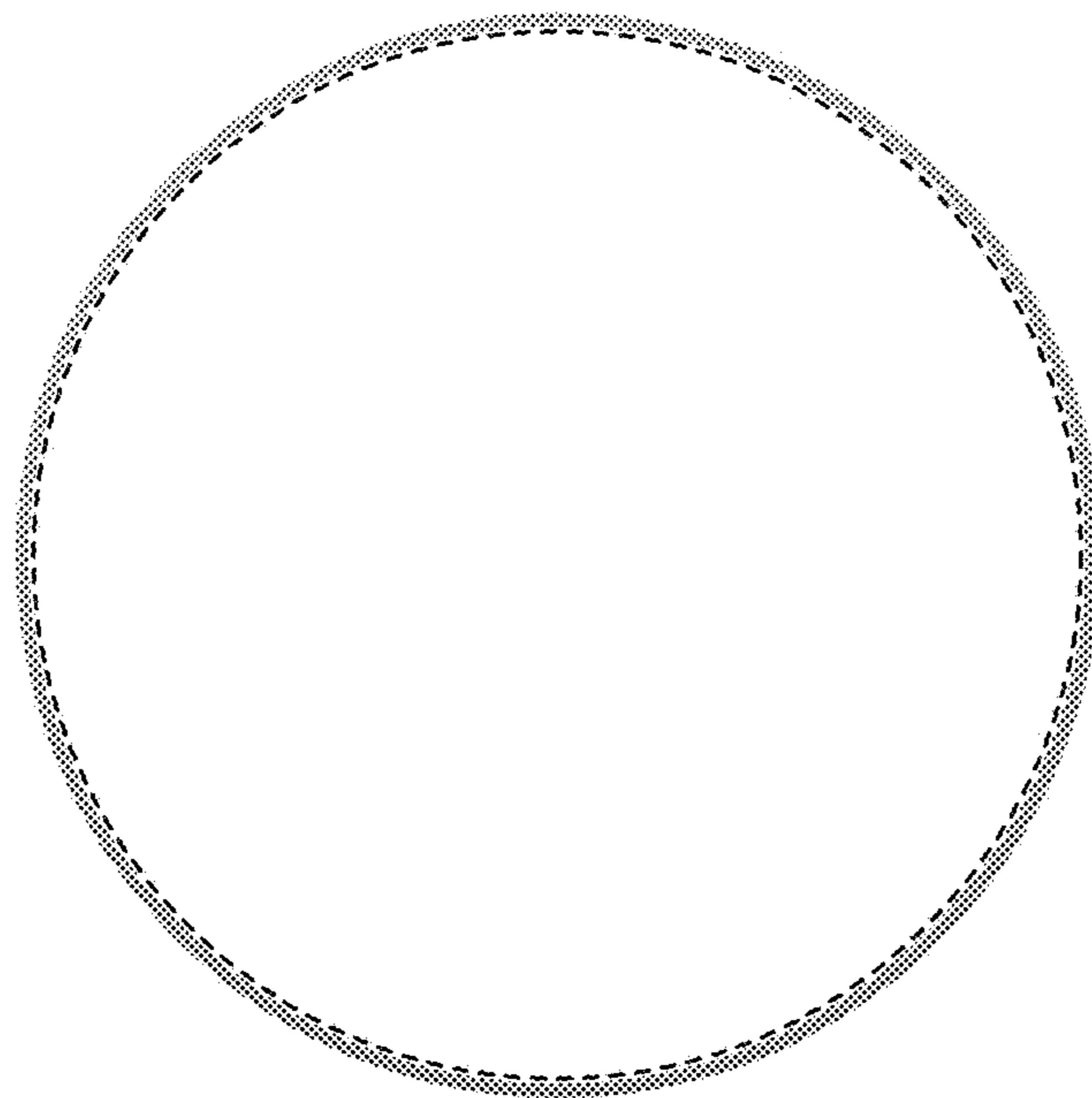


FIG. 3

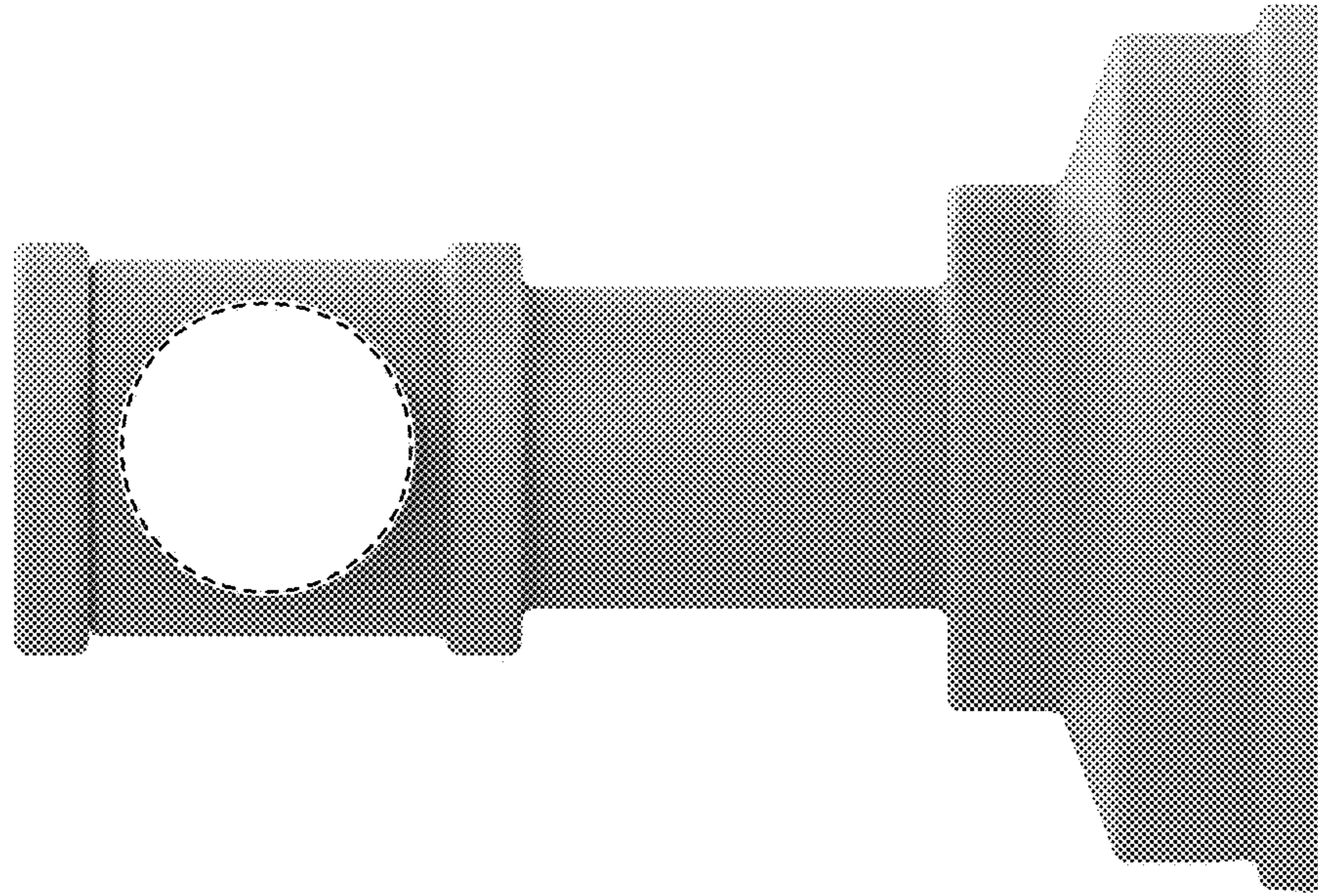


FIG. 4

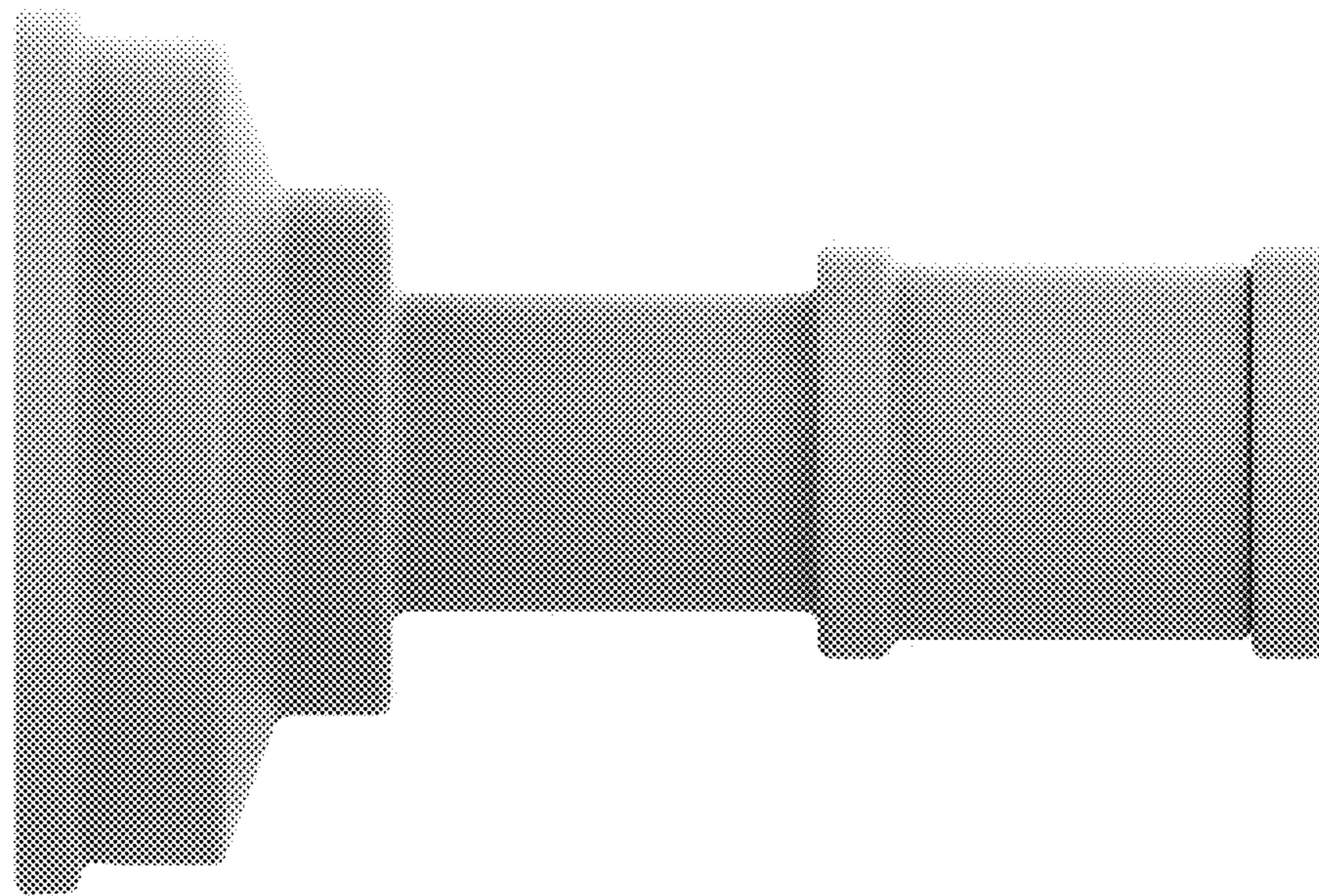


FIG. 5

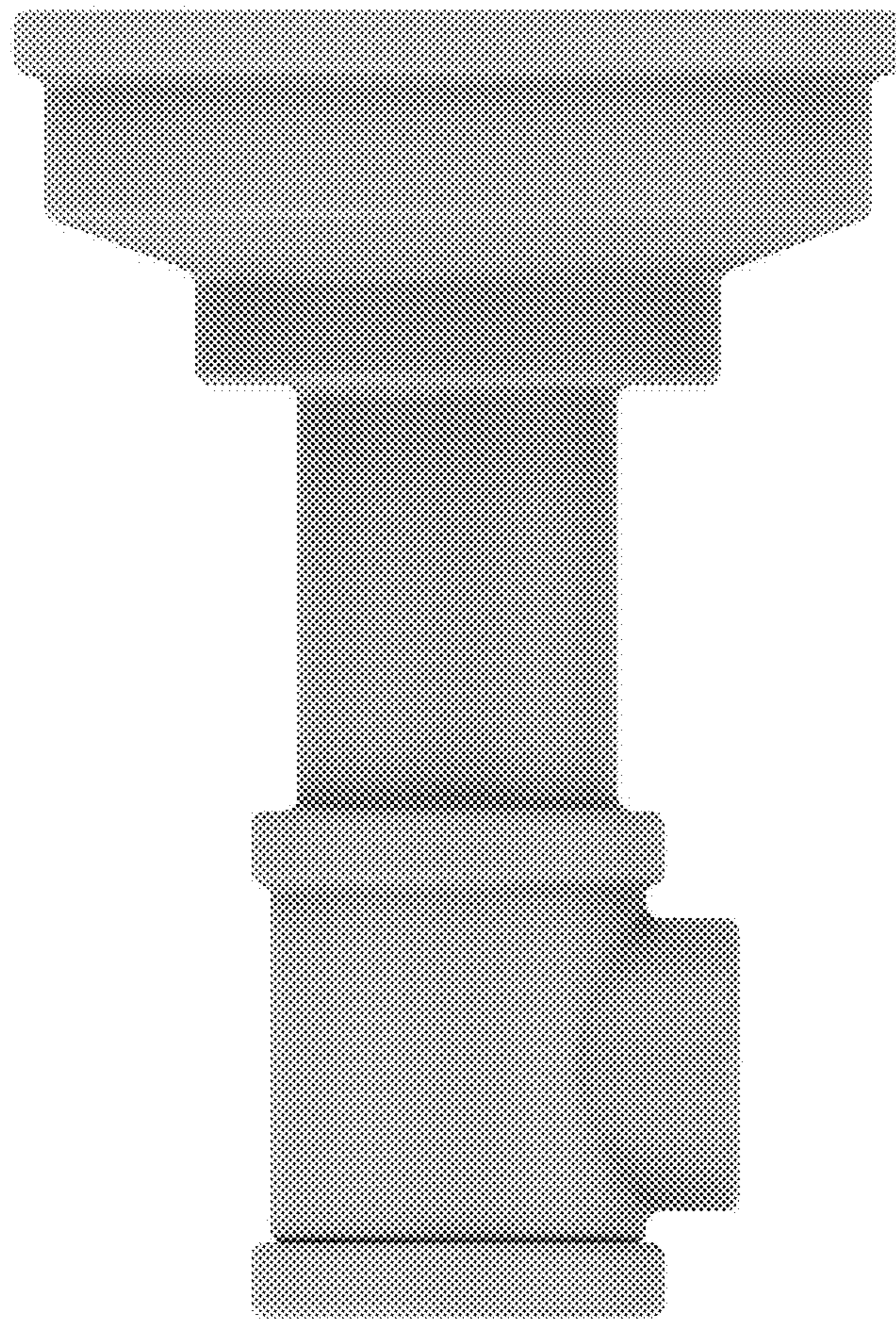


FIG. 6

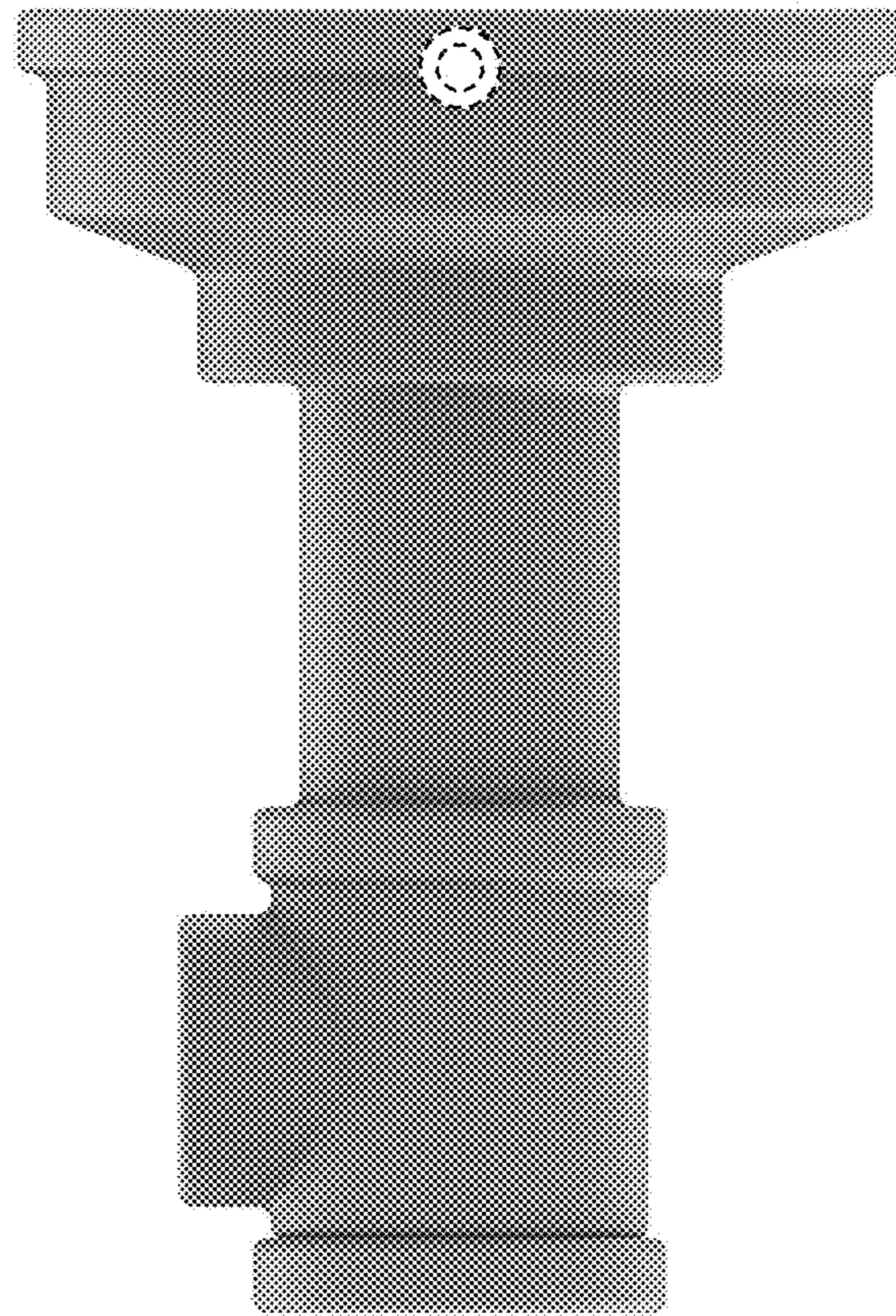


FIG. 7