



US00D824693S

(12) **United States Design Patent** (10) **Patent No.:** **US D824,693 S**
Santoro et al. (45) **Date of Patent:** **** Aug. 7, 2018**

(54) **DISPENSER ASSEMBLY**
(71) Applicant: **Vi-Jon, Inc.**, St. Louis, MO (US)
(72) Inventors: **Donna M. Santoro**, St. Charles, MO (US); **Andy Lee Kirkpatrick**, Green Bay, WI (US); **Kacey James Kreuter**, Green Bay, WI (US); **Stephen John Kocis**, Suwanee, GA (US); **William J. Peek**, Lawrenceville, GA (US); **Britt Babiarz**, Alpharetta, GA (US); **Anthony Toribio**, Suwanee, GA (US)
(73) Assignee: **Vi-Jon, Inc.**, St. Louis, MO (US)
(**) Term: **15 Years**
(21) Appl. No.: **29/575,334**
(22) Filed: **Aug. 24, 2016**
(51) **LOC (11) Cl.** **23-02**
(52) **U.S. Cl.**
USPC **D6/545**
(58) **Field of Classification Search**
USPC D6/545, 515-523; 211/13.1, 173, 180, 211/45, 86.01, 87.02, 87.01; 248/309.1, 248/309.2, 904; 206/225, 233, 389, 391, 206/77.1; 221/26, 33, 282, 283, 14, 92, 221/105; 222/173, 180, 281-282; 242/570, 590
CPC A47K 5/1211; B05B 11/0054; B05B 11/0059; B05B 11/0097; B05B 11/3014; B05B 15/061
See application file for complete search history.

(56) **References Cited**

U.S. PATENT DOCUMENTS

D343,751 S * 2/1994 Bell D6/545
D387,597 S * 12/1997 Kearnes D6/545
D756,683 S * 5/2016 Morand D6/518
D768,405 S * 10/2016 Patterson D6/545

D768,406 S * 10/2016 Patterson D6/545
D768,407 S * 10/2016 Patterson D6/545
D781,613 S * 3/2017 Santoro D6/545
D784,725 S * 4/2017 Santoro D6/542
2010/0059550 A1* 3/2010 Ciavarella A47K 5/1207
222/325
2011/0253744 A1* 10/2011 Pelfrey A47K 5/1217
222/52
2015/0320265 A1* 11/2015 Bullock A47K 5/1217
222/1
2017/0020347 A1* 1/2017 Santoro A47K 5/1211

OTHER PUBLICATIONS

OmniPod hand hygiene system.com, OmniPod Hand hygiene system, Mar. 14, 2016, <http://omnipodhandhygiene.com/>.*

* cited by examiner

Primary Examiner — David Muller

Assistant Examiner — Nathan Johnston

(74) *Attorney, Agent, or Firm* — Armstrong Teasdale LLP

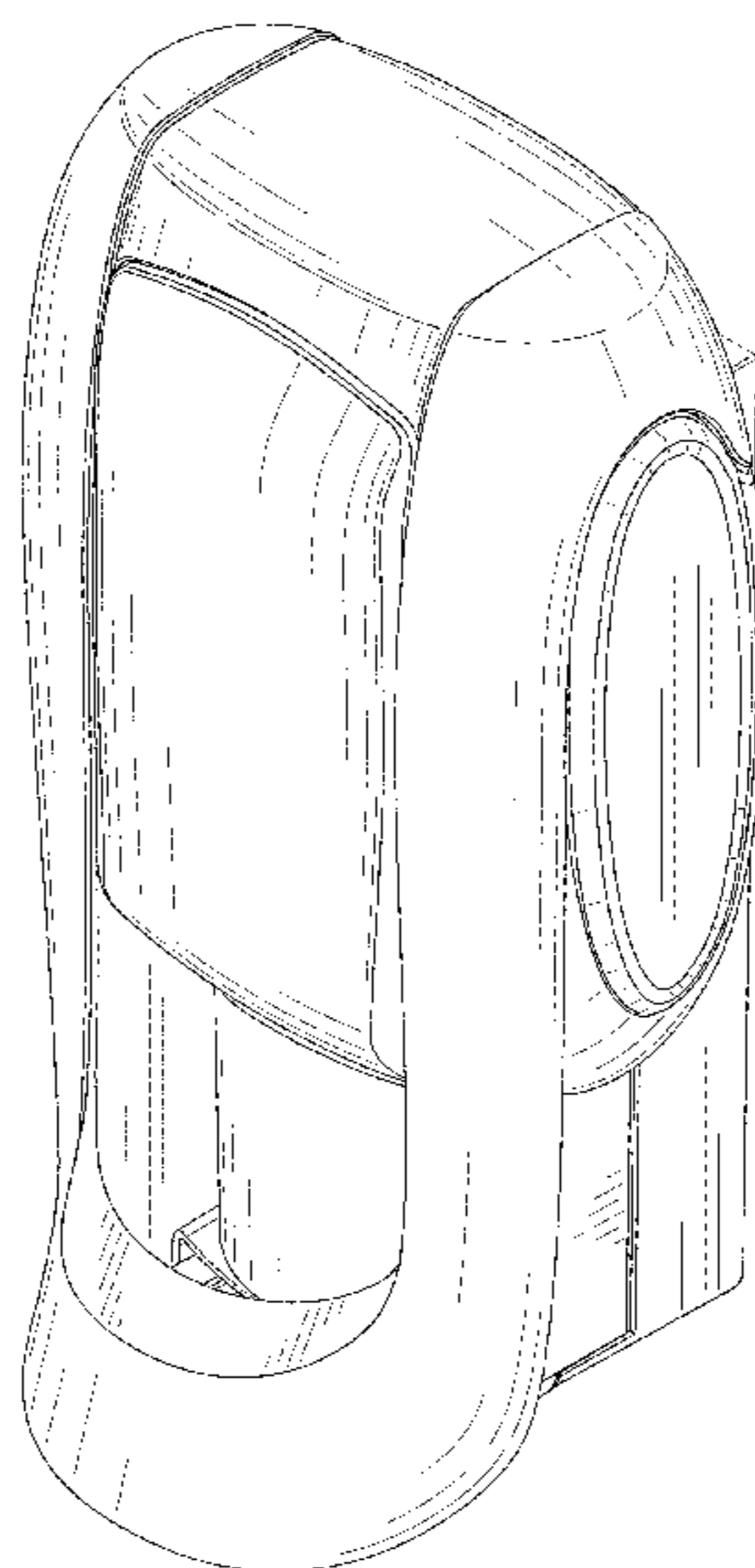
(57) **CLAIM**

We claim the ornamental design for a dispenser assembly, as shown and described.

DESCRIPTION

FIG. 1 is a front perspective view of a dispenser assembly showing our new design;
FIG. 2 is a front elevation view thereof;
FIG. 3 is a rear elevation view thereof;
FIG. 4 is a right elevation view thereof;
FIG. 5 is a left elevation view thereof;
FIG. 6 is a top plan view thereof;
FIG. 7 is a bottom plan view thereof;
FIG. 8 is a rear perspective view thereof; and,
FIG. 9 is a bottom perspective view thereof.
Features disclaimed with broken lines in the Figures indicate structure which forms no part of the claimed design.

1 Claim, 9 Drawing Sheets



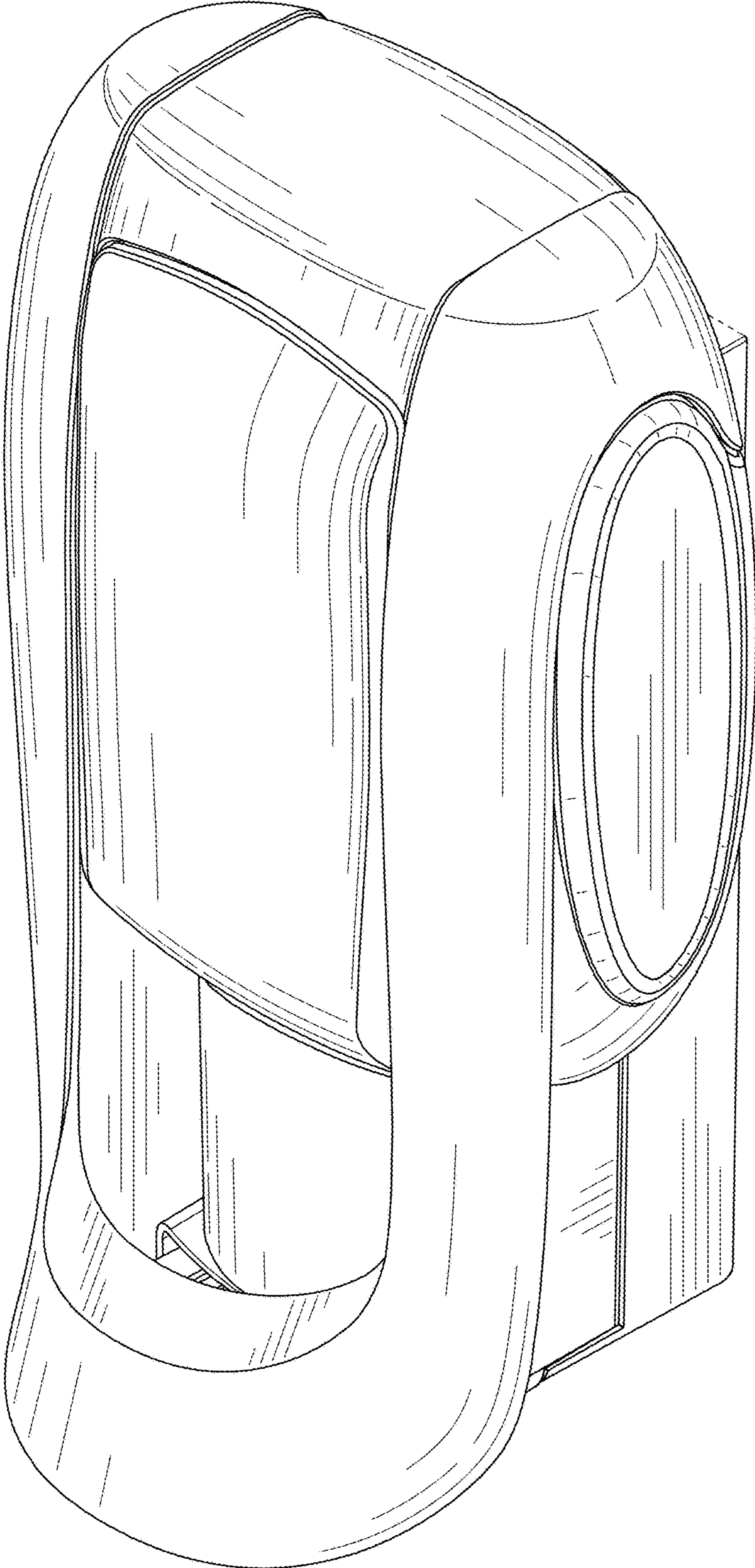


FIG. 1

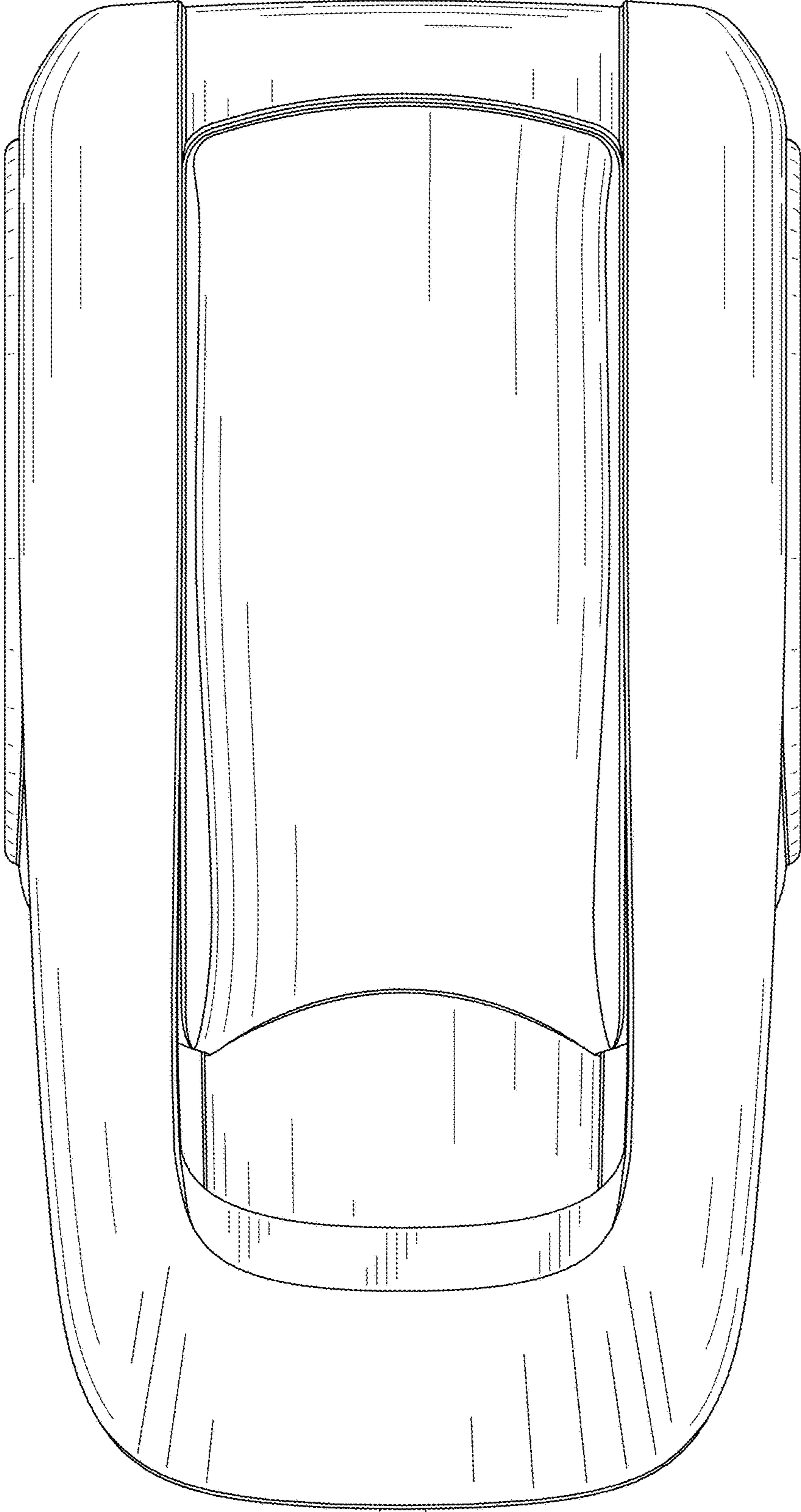


FIG. 2

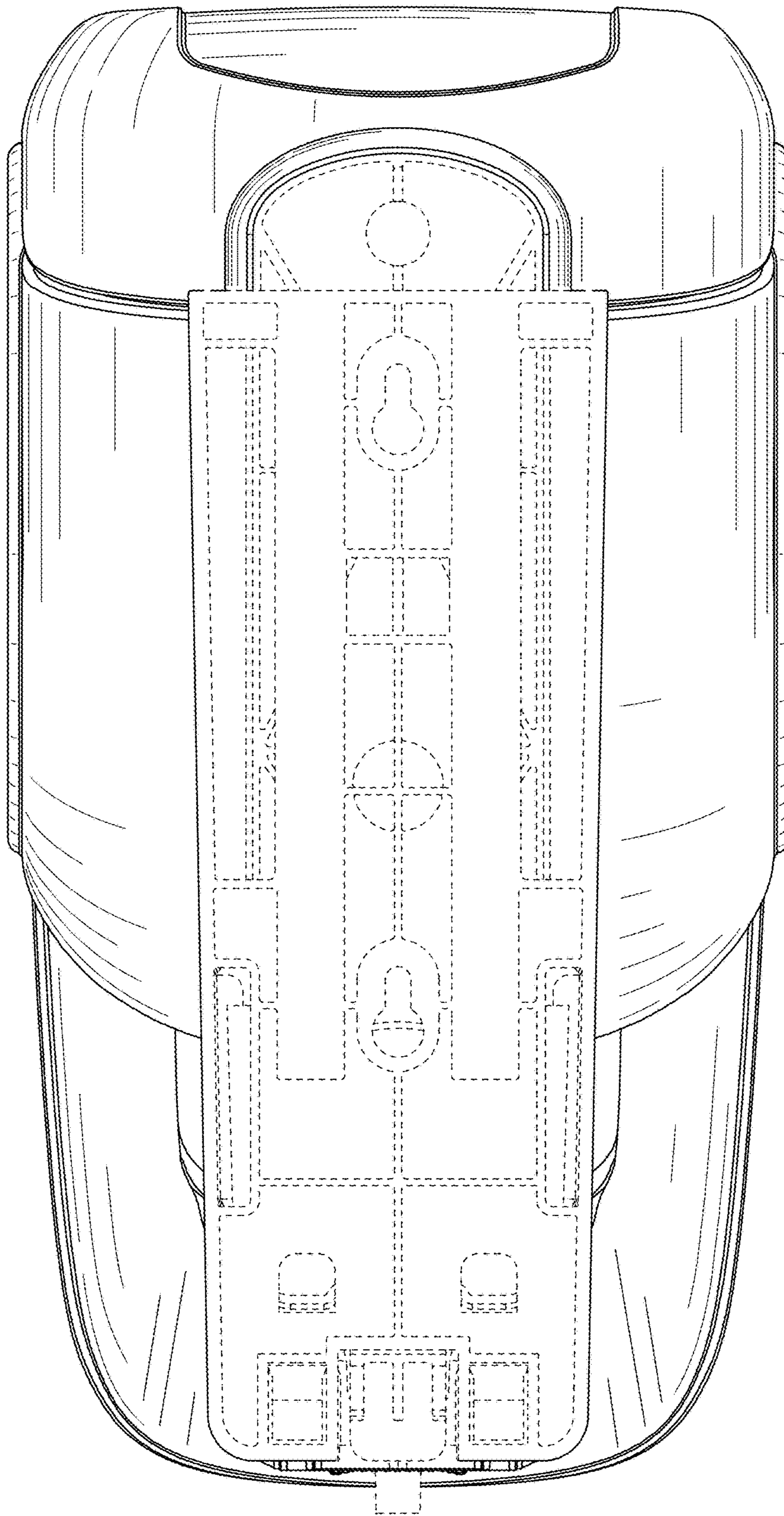


FIG. 3

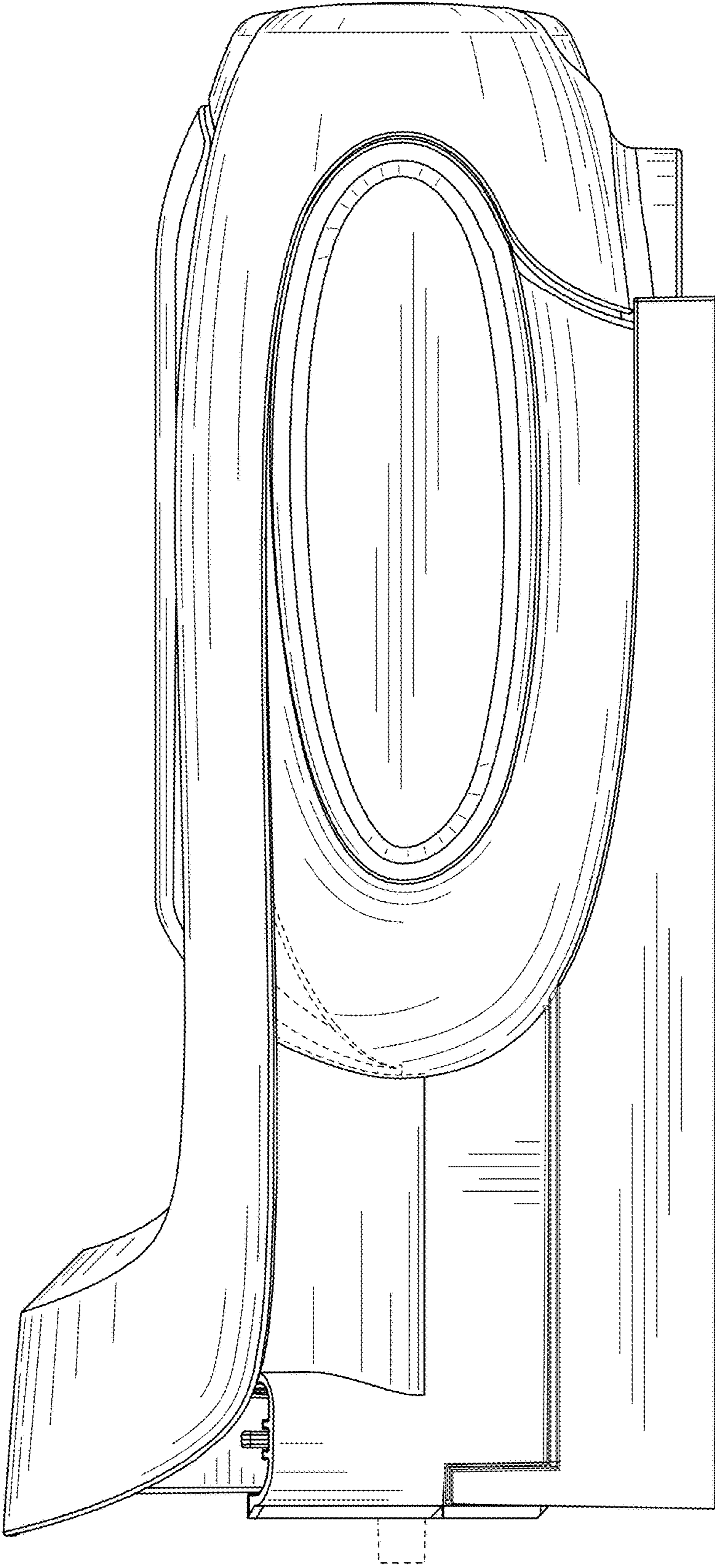


FIG. 4

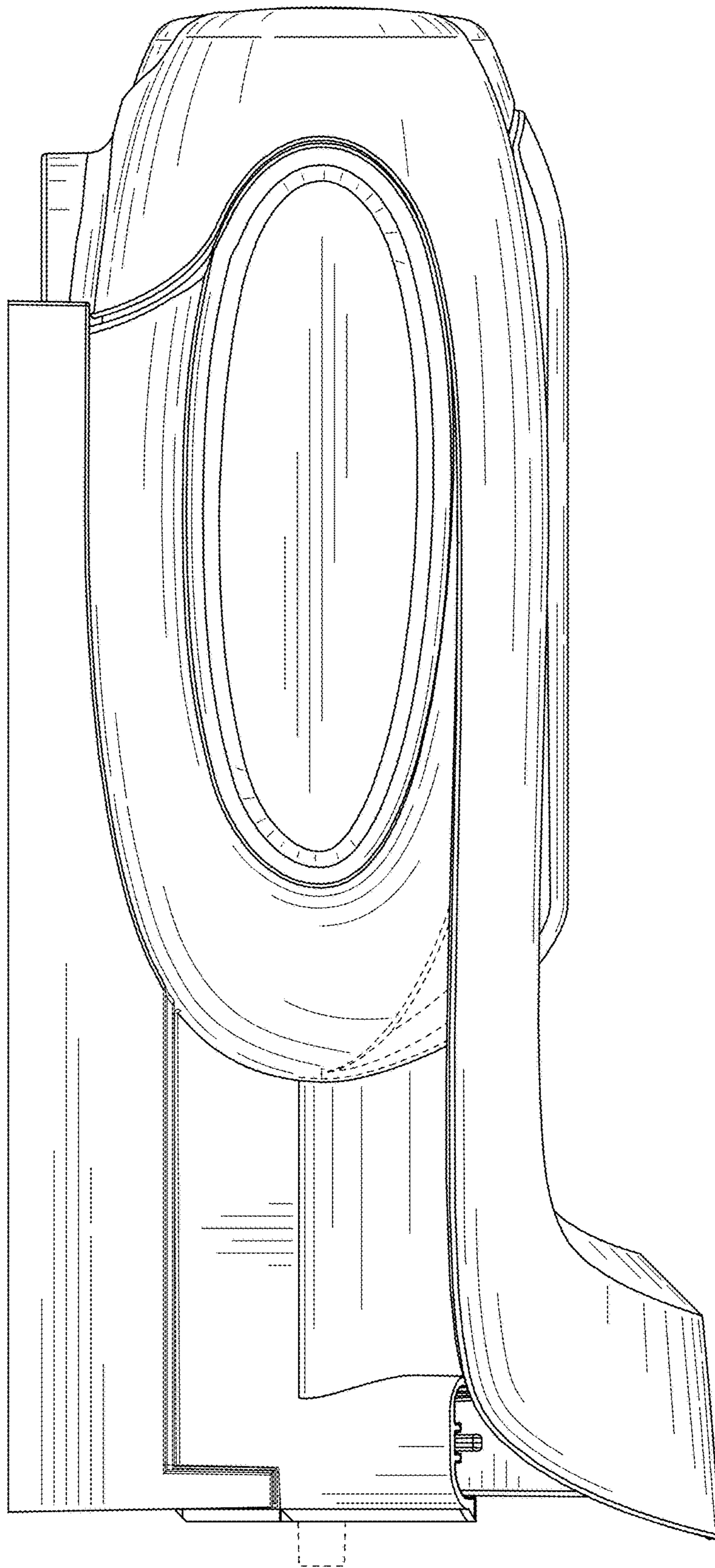


FIG. 5

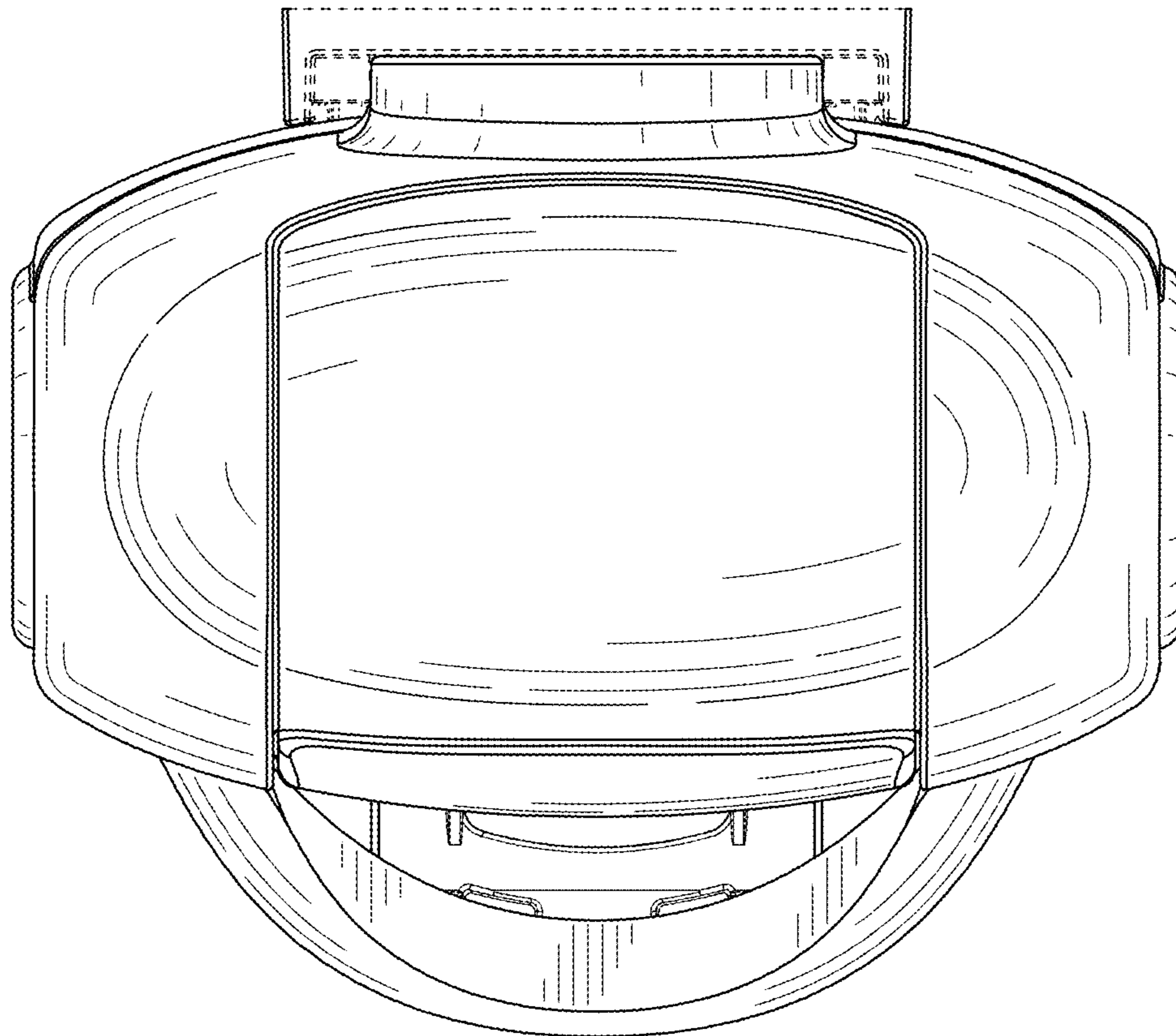


FIG. 6

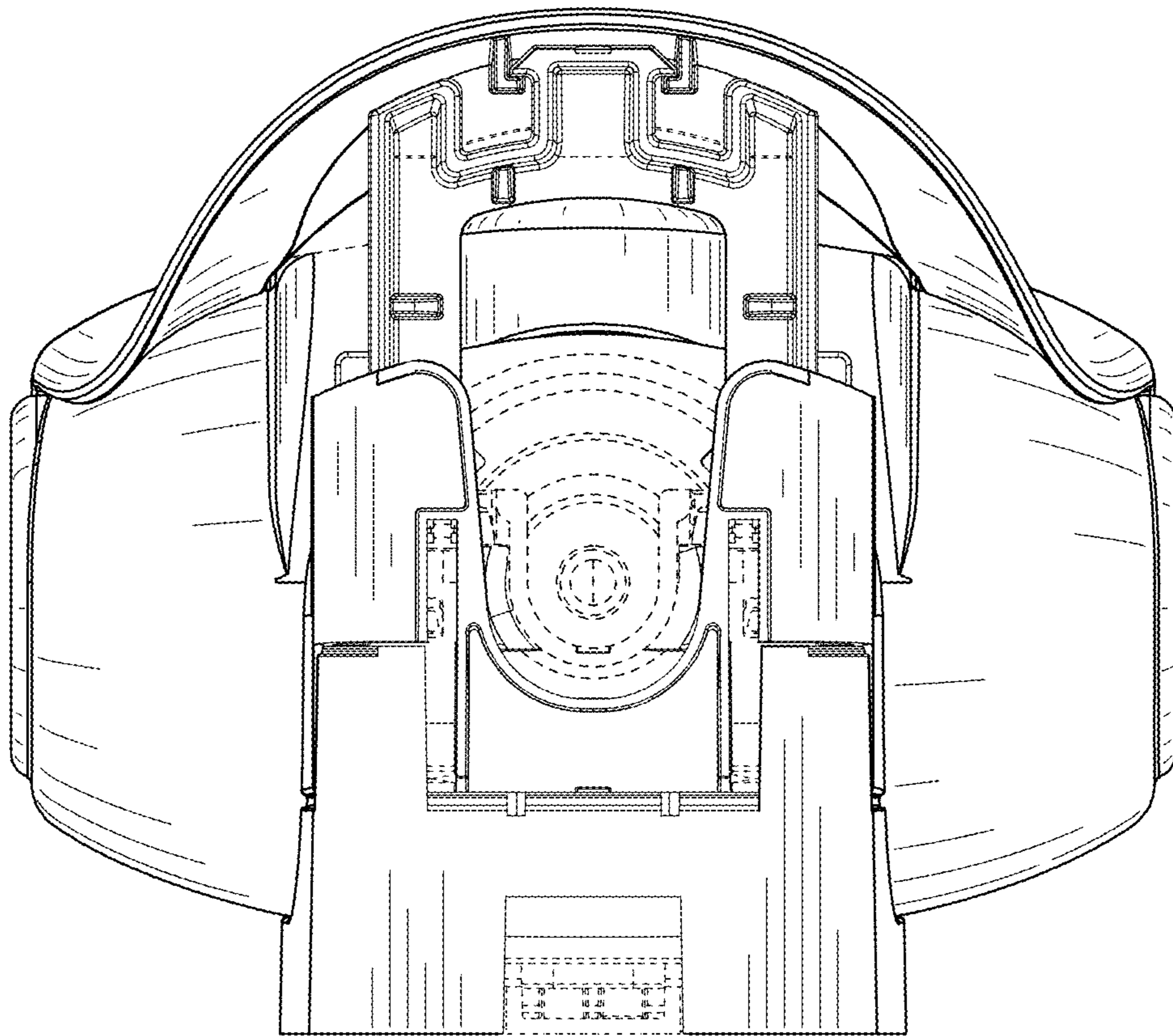


FIG. 7

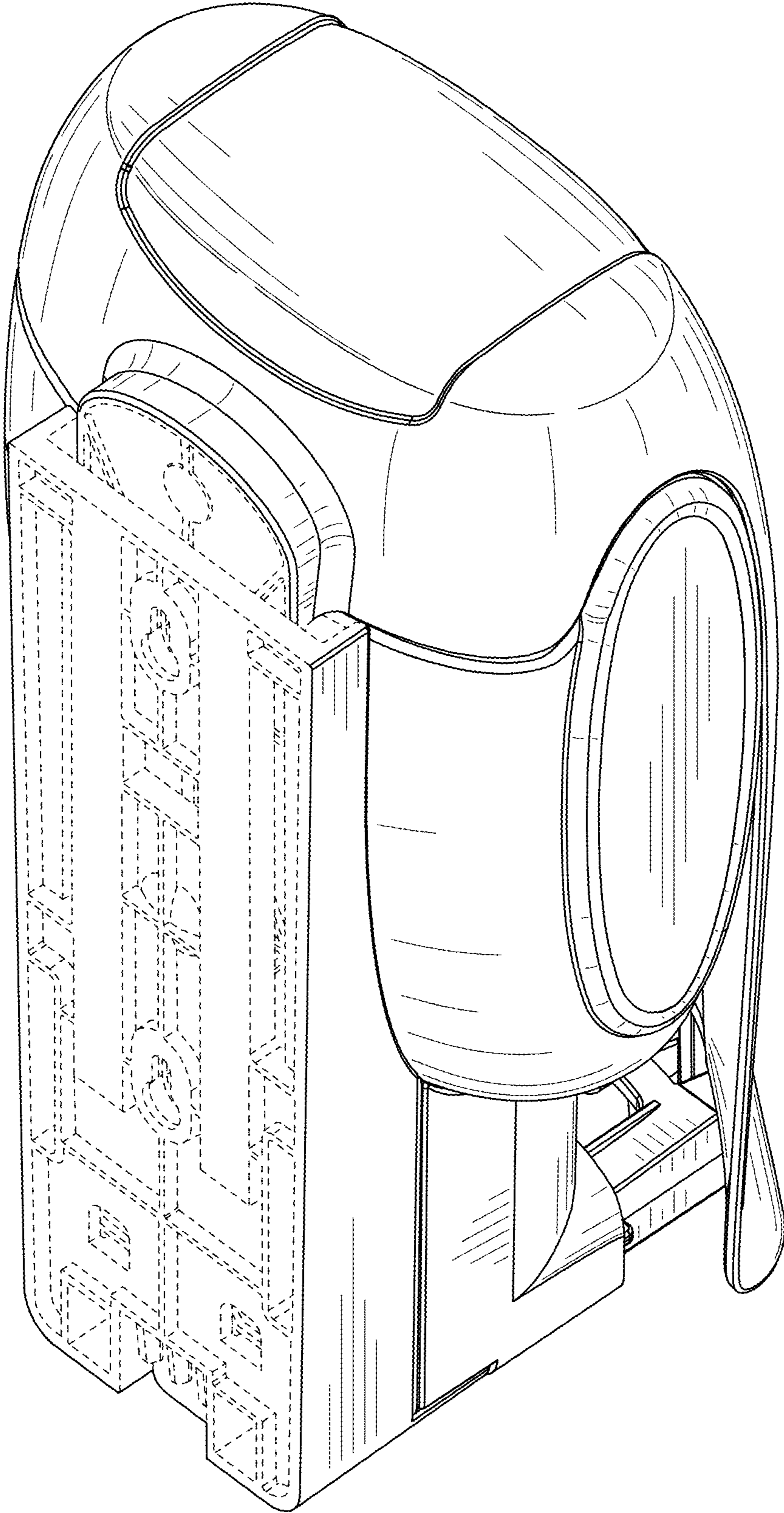


FIG. 8

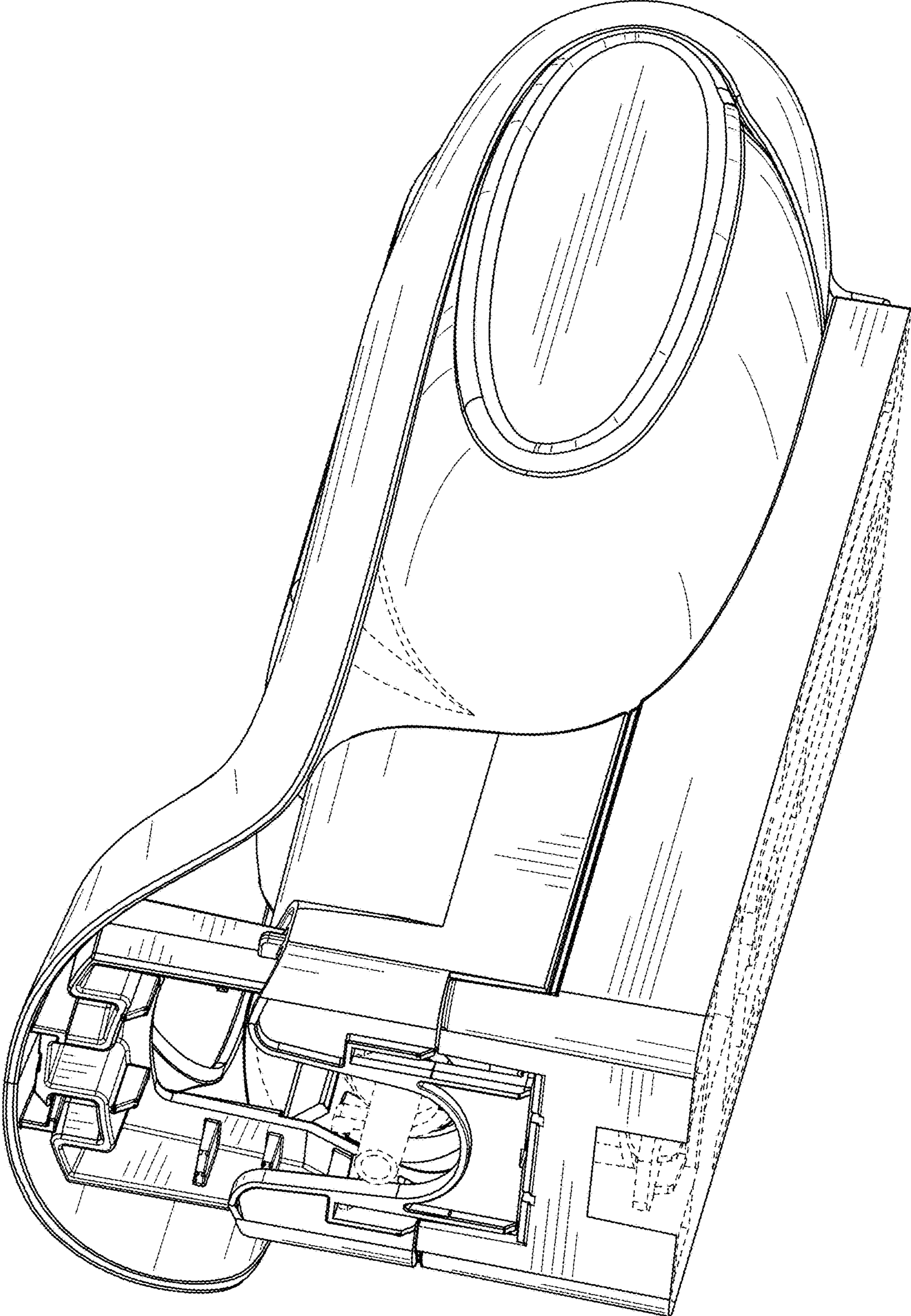


FIG. 9