



US00D824692S

(12) **United States Design Patent** (10) **Patent No.:** **US D824,692 S**
Kwiatkowski et al. (45) **Date of Patent:** **** Aug. 7, 2018**

(54) **SUCTION SOAP DISH**
(71) Applicants: **Neil Kwiatkowski**, Queens, NY (US);
Linden Evans, Brooklyn, NY (US);
Daniel Huang, Taipei (TW)
(72) Inventors: **Neil Kwiatkowski**, Queens, NY (US);
Linden Evans, Brooklyn, NY (US);
Daniel Huang, Taipei (TW)
(73) Assignee: **HELEN OF TROY LIMITED**, St.
Michael (BB)
(**) Term: **15 Years**

D158,138 S * 4/1950 Simpson D6/540
D228,843 S * 10/1973 Settle D6/536
D229,138 S * 11/1973 Collins D6/536
D241,199 S * 8/1976 Halstad D6/540
D256,861 S * 9/1980 Ryan D6/540
D266,635 S * 10/1982 Fleischmann D6/540
D272,696 S * 2/1984 Shames D6/536
4,501,355 A * 2/1985 Hoffman A47K 5/02
100/219
D278,491 S * 4/1985 Thompson D6/536
D278,587 S * 4/1985 Thompson D6/536
D294,094 S * 2/1988 Tegner D6/536
D314,485 S * 2/1991 Chap D6/540
D332,367 S * 1/1993 McKeone D6/540
D337,682 S * 7/1993 Crook D6/536
D345,067 S * 3/1994 Shafer D6/536
(Continued)

(21) Appl. No.: **29/591,353**
(22) Filed: **Jan. 19, 2017**
(51) **LOC (11) Cl.** **06-04**
(52) **U.S. Cl.**
USPC **D6/536; D6/553**
(58) **Field of Classification Search**
USPC D6/525, 524, 536-537, 540, 566, 567,
D6/320, 533, 553; 211/13.1, 74, 71.01,
211/86.01, 75, 88.01, 90.01, 90.03, 106,
211/119, 126.1, 133.5, 181.1, 134, 87.01;
D3/306; D32/55; D7/637;
248/206.2-206.3
CPC . A47K 1/09; A47K 1/08; A47K 3/281; A47K
3/004; A47K 5/03; A47K 7/024; A47K
2201/02; F16B 47/00; F16B 11/006;
A47B 95/008; A47B 96/024; A47B
96/022; A46B 2200/1006
See application file for complete search history.

(56) **References Cited**
U.S. PATENT DOCUMENTS
D86,837 S * 4/1932 Hirsch D6/540
D130,579 S * 12/1941 Dreyfuss D6/536
D143,889 S * 2/1946 Wood D6/536
D157,146 S * 2/1950 Hallensheid D6/540

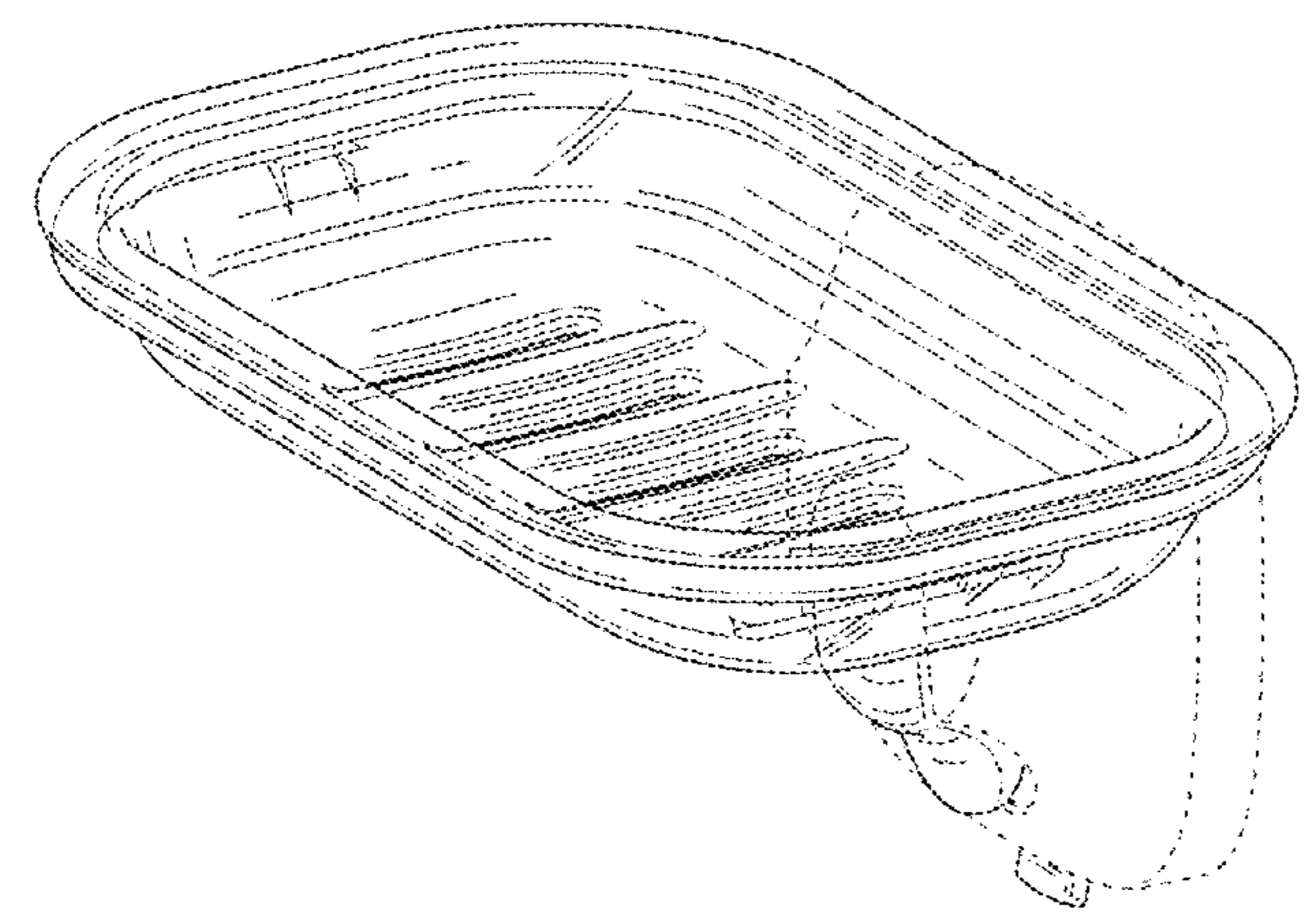
OTHER PUBLICATIONS
Amazon.com, OXO Good Grips Stronghold Suction Soap Dish,
Jun. 8, 2017, <https://www.amazon.com/OXO-Grips-StrongHold-Suction-Basket/dp/B06X16W56S/?th=1> (Year: 2017).*

Primary Examiner — David Muller
Assistant Examiner — Nathan Johnston

(57) **CLAIM**
The ornamental design for a suction soap dish, as shown,
and described.

DESCRIPTION
FIG. 1 is a perspective view of the suction soap dish showing
our new design;
FIG. 2 is a front elevation view thereof;
FIG. 3 is a rear elevation view thereof;
FIG. 4 is a side elevation view thereof;
FIG. 5 is a top plan view thereof; and,
FIG. 6 is a bottom plan view thereof.
The broken lines depict environment and form no part of the
claimed design.

1 Claim, 6 Drawing Sheets



(56)

References Cited

U.S. PATENT DOCUMENTS

D345,068	S	*	3/1994	Shafer	D6/536
D346,928	S	*	5/1994	Shames	D6/540
5,947,272	A	*	9/1999	Park	A47K 5/02 206/77.1
D432,836	S	*	10/2000	Gastelum	D6/540
D433,858	S	*	11/2000	Gastelum	D6/540
D444,014	S	*	6/2001	Ferrer Beltran	D6/537
D449,752	S	*	10/2001	Snell	D6/537
D478,232	S	*	8/2003	Dretzka	D6/536
D480,585	S	*	10/2003	Johansson	D6/540
D496,816	S	*	10/2004	Hoernig	D6/540
D543,403	S	*	5/2007	Tau	D6/540
D547,583	S	*	7/2007	Dretzka	D6/536
D554,407	S	*	11/2007	Thompson	D6/537
D599,596	S	*	9/2009	Ghiorghie	D6/536
D625,943	S	*	10/2010	Yang	D6/536
D636,200	S	*	4/2011	Yang	D6/536
D704,953	S	*	5/2014	Reitze	D6/536
D713,652	S	*	9/2014	Barclay	D6/536
D717,068	S	*	11/2014	Callif	D6/537
D779,229	S	*	2/2017	Pan	D6/537

* cited by examiner

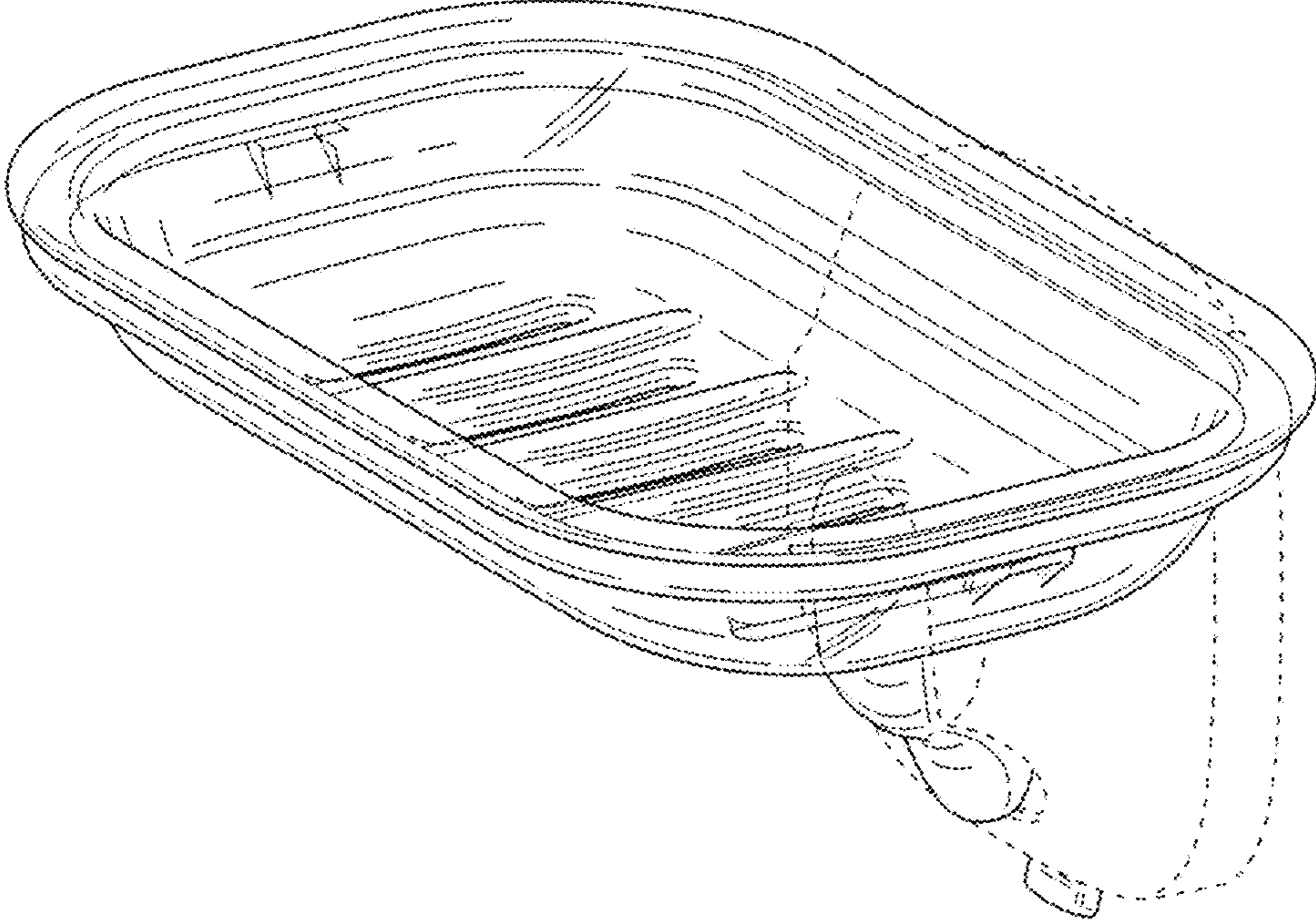


FIG. 1

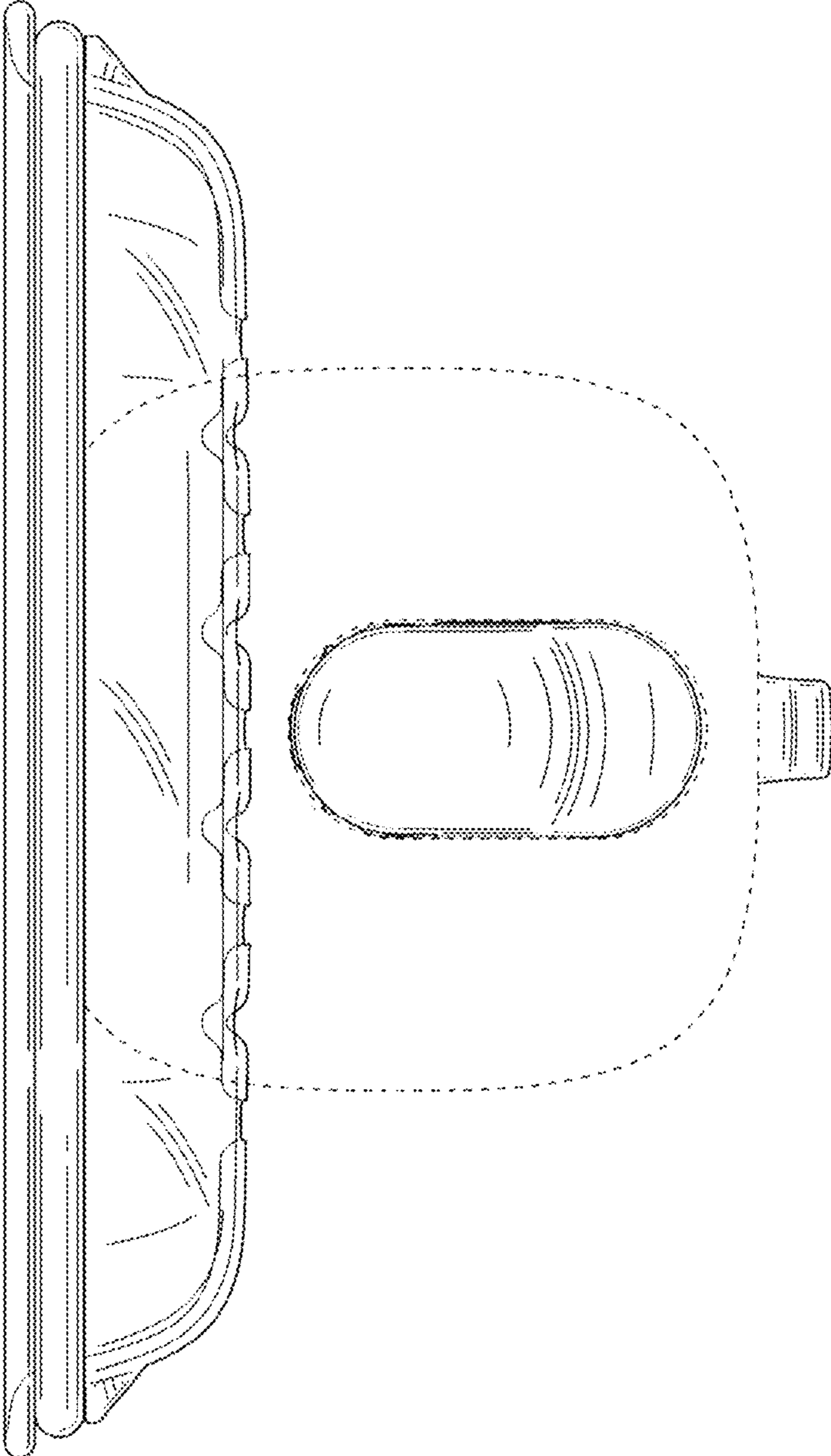


FIG. 2

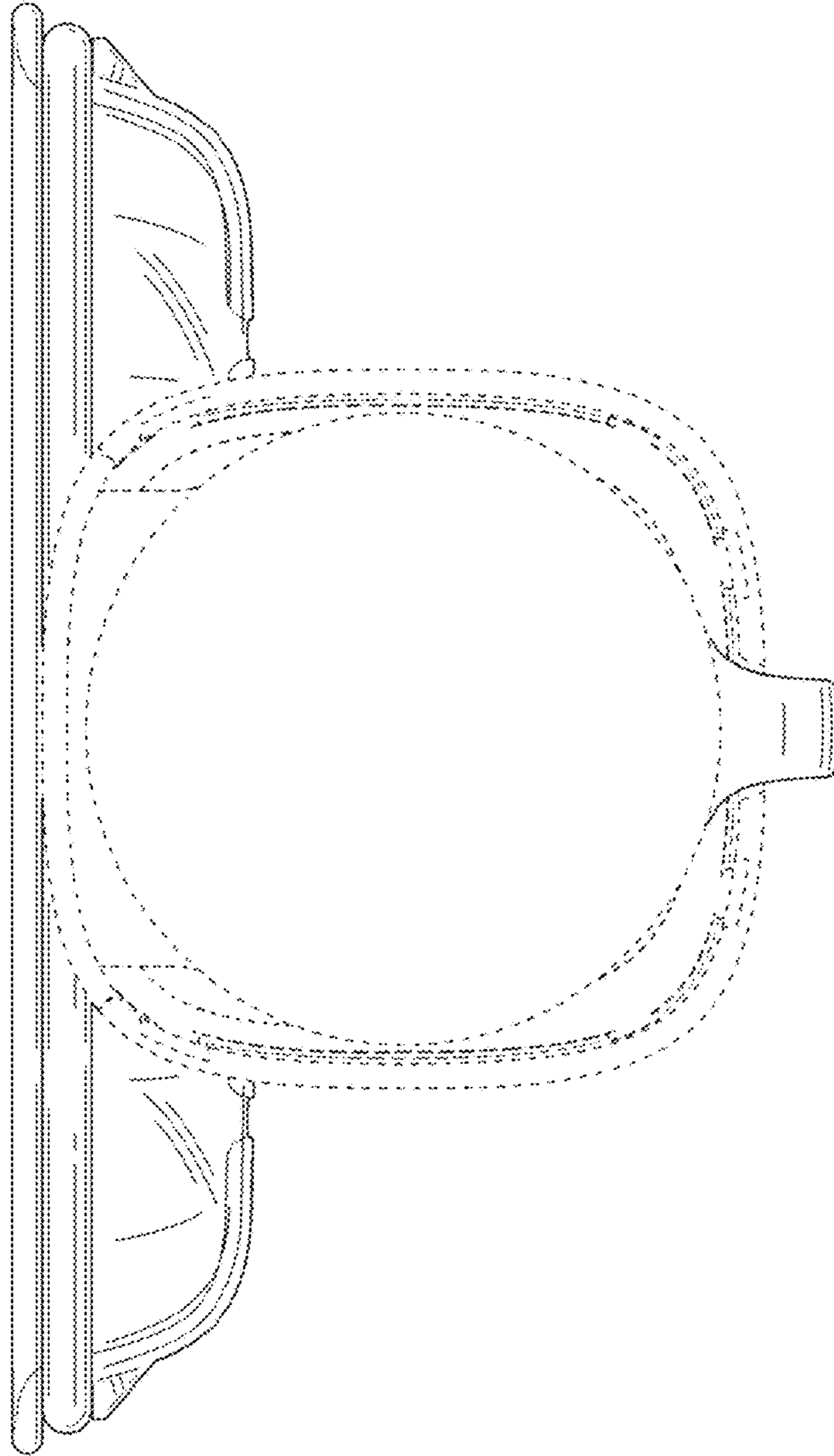


FIG. 3

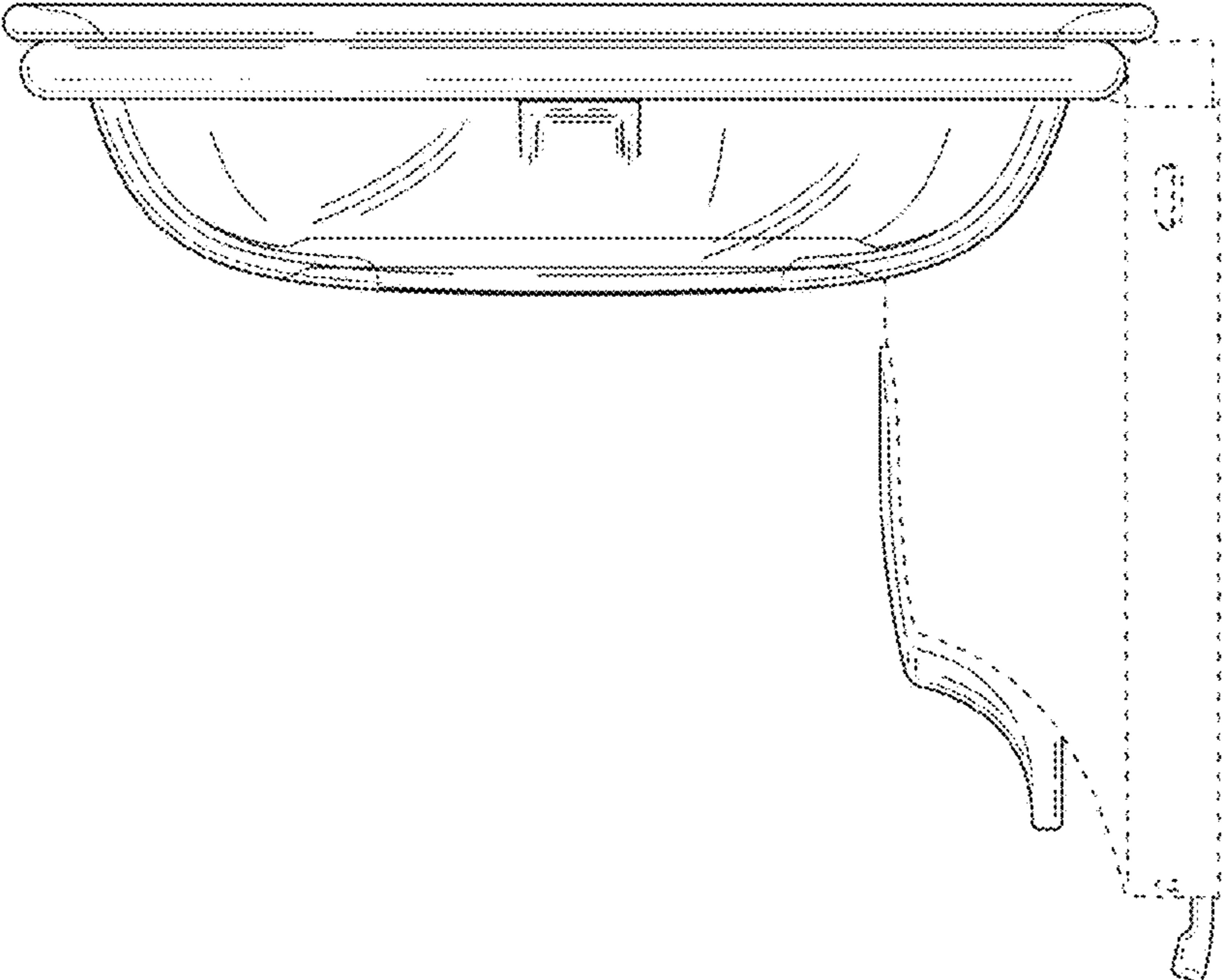


FIG. 4

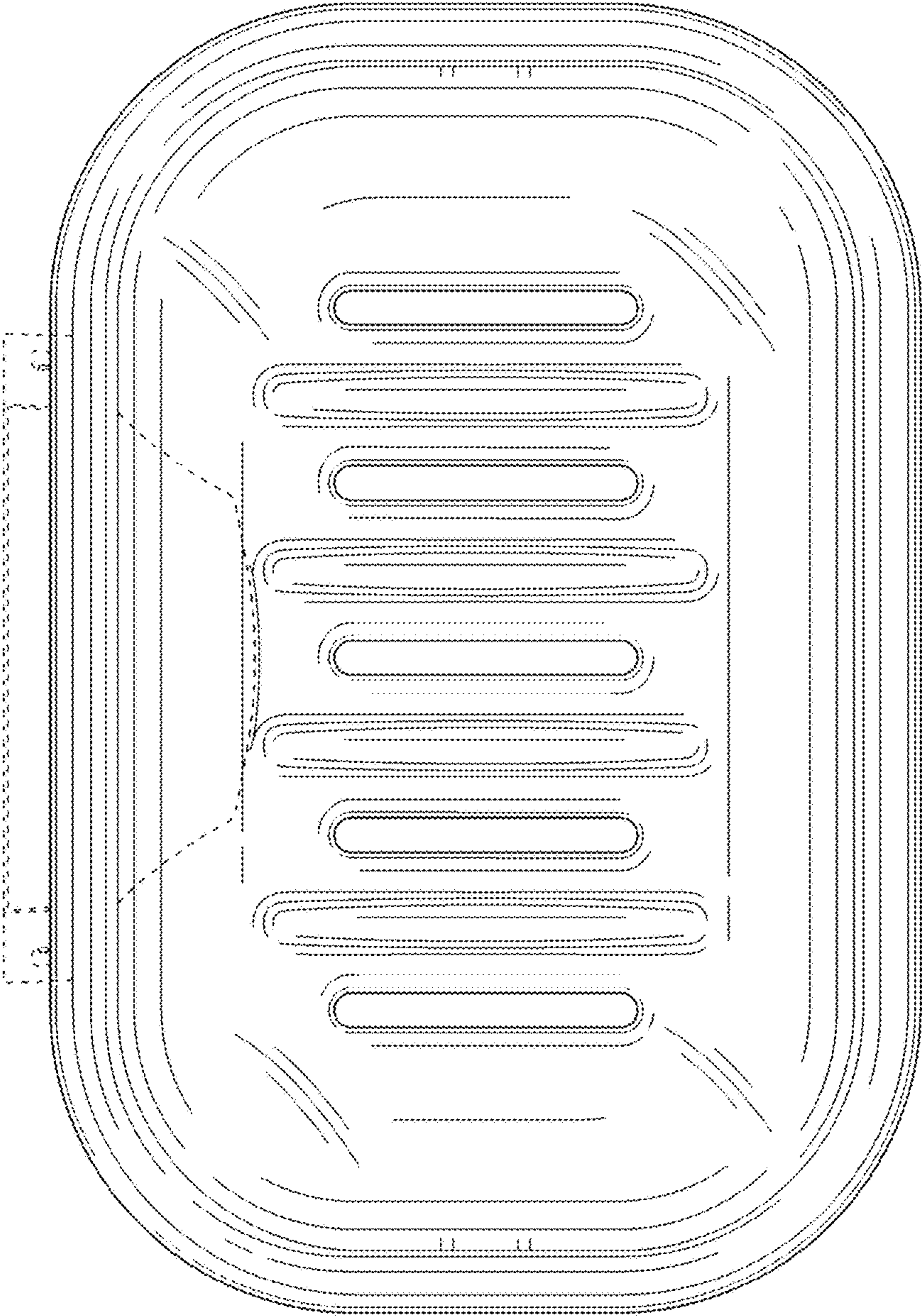


FIG. 5

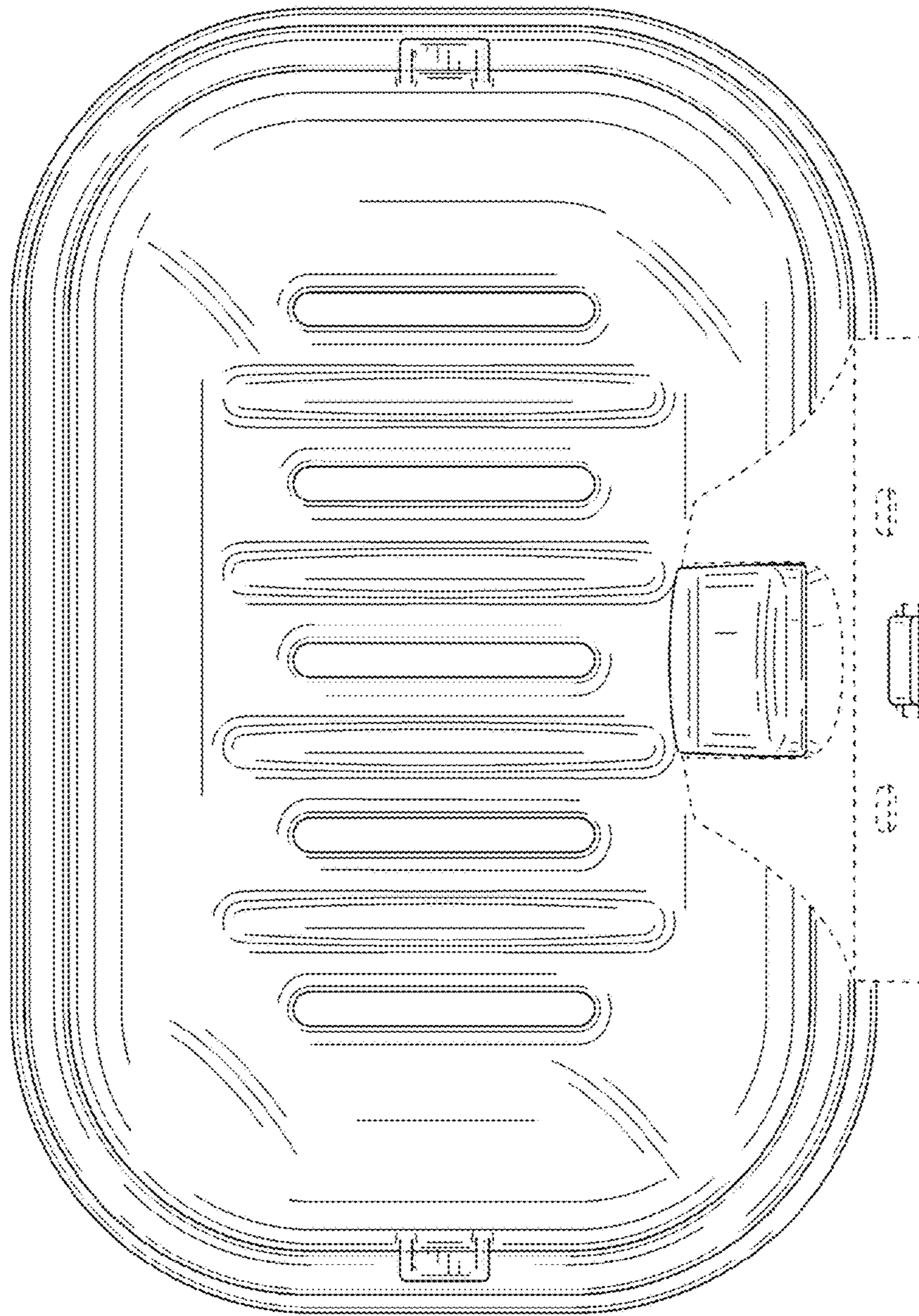


FIG. 6