



US00D824691S

(12) **United States Design Patent**  
**Smith**

(10) **Patent No.:** **US D824,691 S**

(45) **Date of Patent:** **\*\* Aug. 7, 2018**

(54) **INFLATABLE CHILD SAFETY BED**

(71) Applicant: **Jonathan Russell Smith**, Warsaw, OH  
(US)

(72) Inventor: **Jonathan Russell Smith**, Warsaw, OH  
(US)

(\*\*) Term: **15 Years**

(21) Appl. No.: **29/551,926**

(22) Filed: **Jan. 19, 2016**

(51) **LOC (11) Cl.** ..... **06-02**

(52) **U.S. Cl.**  
USPC ..... **D6/391**

(58) **Field of Classification Search**  
USPC .... D6/331, 382, 385-387, 391, 392, 718.26,  
D6/718.29; D30/108, 114, 116  
CPC ..... A47D 9/00; A47D 9/005; A47D 13/061;  
A47D 13/063; A47D 13/065; A47C  
29/003; A47C 29/006  
See application file for complete search history.

(56) **References Cited**

**U.S. PATENT DOCUMENTS**

654,972	A *	7/1900	Haack	.....	E04H 15/44 135/117
1,218,102	A *	3/1917	Mershon	.....	A47D 7/00 5/97
1,418,541	A *	6/1922	Demlinger	.....	A47D 9/00 5/93.1
1,742,011	A *	12/1929	Rumsey	.....	A47C 29/006 5/97
D98,697	S *	2/1936	Swazey	.....	D6/391
2,498,203	A *	2/1950	Fischer	.....	A47D 13/066 5/97
2,504,879	A *	4/1950	Reeves	.....	A47D 13/02 312/902
2,604,333	A *	7/1952	Elmer	.....	A47D 9/005 280/31
2,841,803	A *	7/1958	Bodling	.....	A47C 29/006 5/113

3,878,570	A *	4/1975	Donnelly	.....	A47D 15/00 219/217
4,359,792	A *	11/1982	Dale	.....	A47D 7/00 135/96
D294,547	S *	3/1988	Saxer	.....	5/414
4,815,153	A *	3/1989	Bleser	.....	A47D 13/063 5/706
D342,633	S *	12/1993	Shields-Mijares	.....	D6/718.29
D370,149	S *	5/1996	Stratton	.....	D6/331

(Continued)

**OTHER PUBLICATIONS**

Inflatable Tent Bed, by Campeggi Ca.Mia, CoolThings blog, Apr. 18, 2016, site visited Apr. 10, 2017, available online at <URL: <http://www.coolthings.com/campeggi-camia-inflatable-bed/>>.\*

*Primary Examiner* — Cathron C Brooks  
(74) *Attorney, Agent, or Firm* — Miracle IP; Bryce D. Miracle

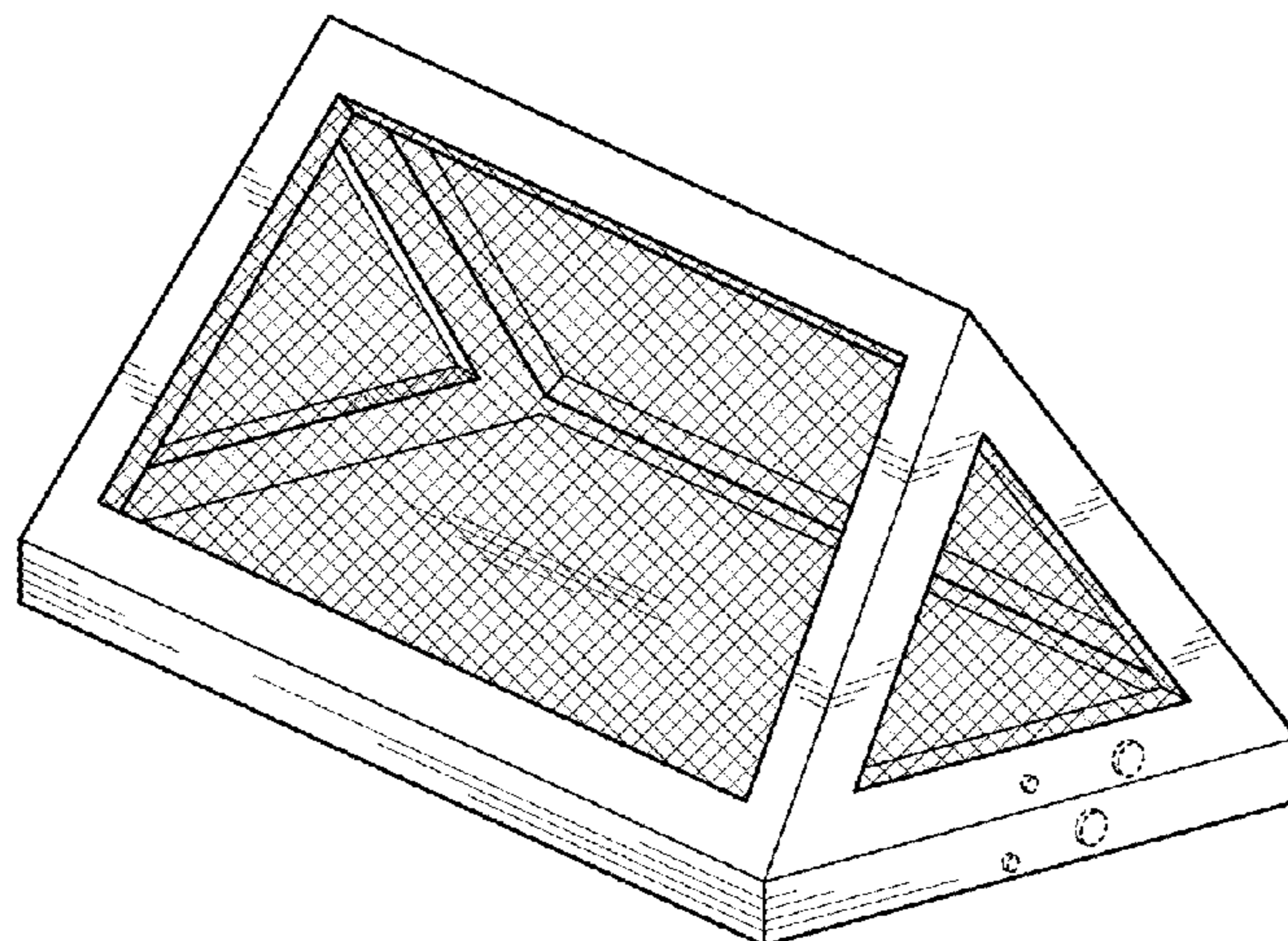
(57) **CLAIM**

The ornamental design for an inflatable child safety bed, substantially as shown and described.

**DESCRIPTION**

FIG. 1 is a front perspective view of the inflatable child safety bed showing the new design;  
FIG. 2 is a front elevation view thereof;  
FIG. 3 is a top plan view thereof;  
FIG. 4 is a bottom plan view thereof;  
FIG. 5 is a cross sectional view of the safety bed shown along line 5-5 of FIG. 3;  
FIG. 6 is a right side elevation view thereof;  
FIG. 7 is a left side elevation view thereof; and,  
FIG. 8 is a cross sectional view of the safety bed shown along line 8-8 of FIG. 3.  
The broken lines showing of inflation points illustrates portions of the inflatable child safety bed that form no part of the claimed design.

**1 Claim, 3 Drawing Sheets**



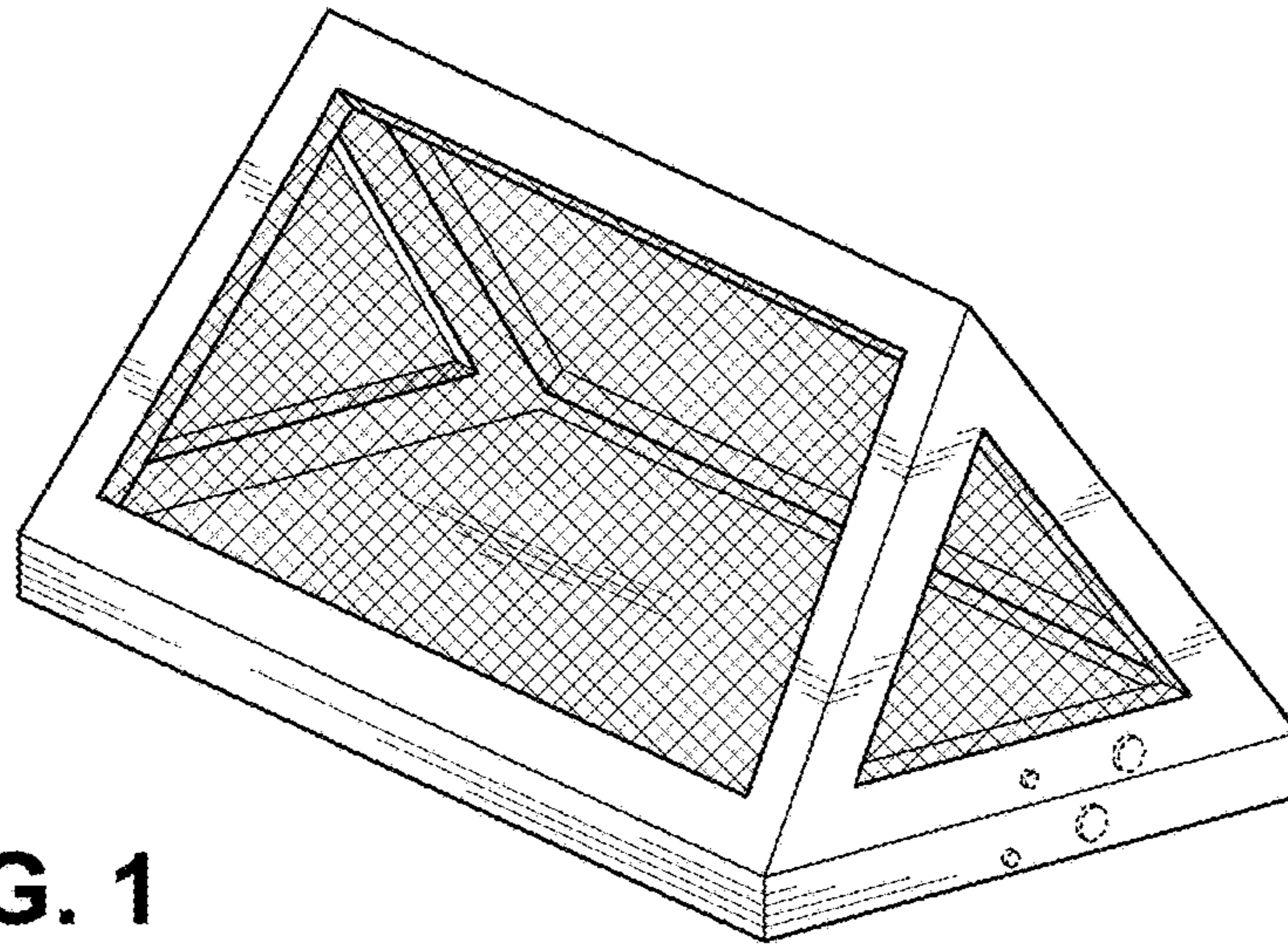
(56)

**References Cited**

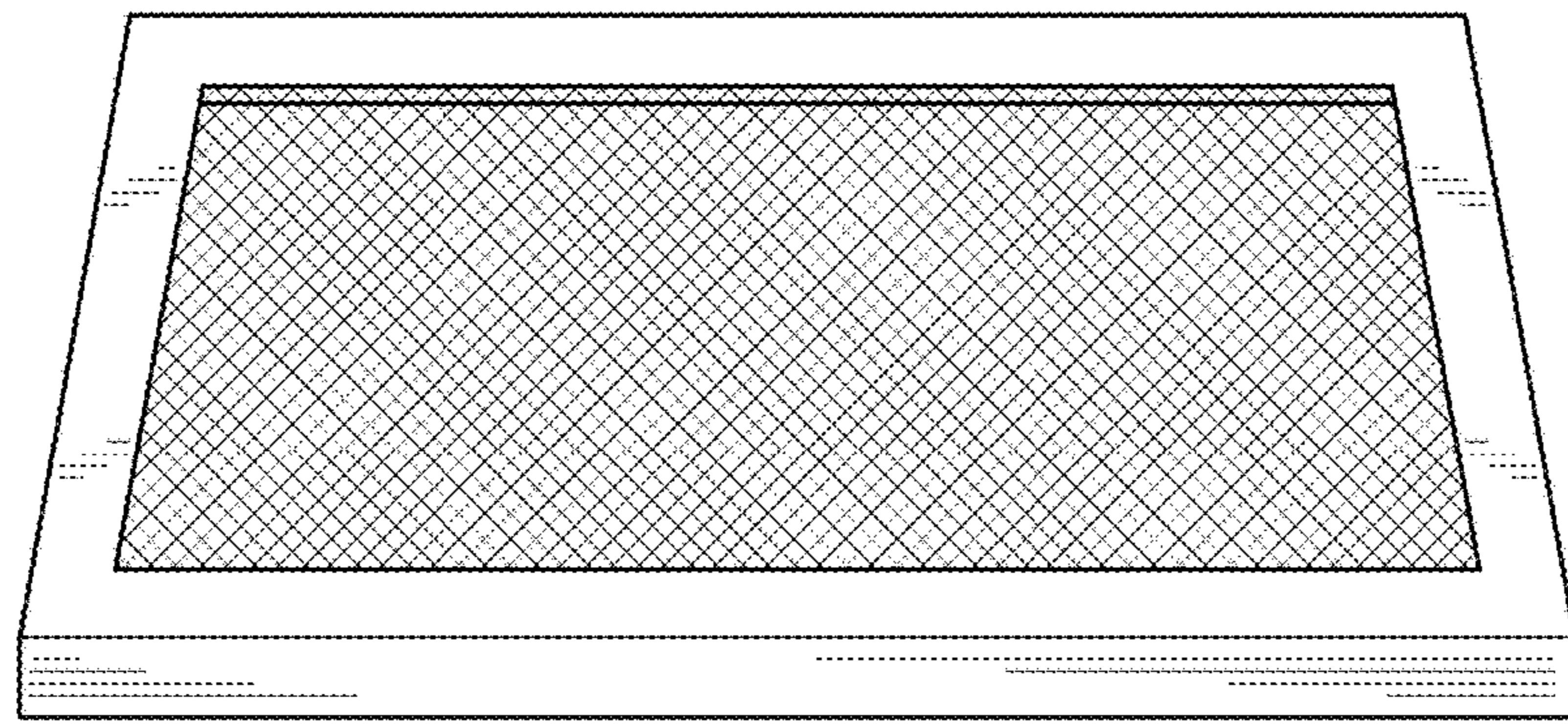
## U.S. PATENT DOCUMENTS

D411,686 S \* 6/1999 Garcia ..... D6/331  
6,216,291 B1 \* 4/2001 Eads ..... A61G 7/0526  
135/121  
6,257,263 B1 \* 7/2001 Brereton ..... E04H 15/40  
135/125  
7,178,483 B2 \* 2/2007 Wu ..... A01K 1/033  
119/498  
7,971,596 B2 \* 7/2011 Morris ..... A47C 29/003  
135/133  
8,316,482 B1 \* 11/2012 Martin, III ..... A47C 29/00  
5/655  
9,038,638 B1 \* 5/2015 Cabrera ..... A61F 5/3776  
128/869  
2005/0172400 A1 \* 8/2005 Hardy ..... A47D 13/063  
5/93.1  
2007/0062651 A1 \* 3/2007 Lippard ..... A01K 1/0005  
160/135  
2008/0072944 A1 \* 3/2008 Wu ..... A45F 3/22  
135/90  
2010/0319122 A1 \* 12/2010 Crumrine ..... A47D 9/005  
5/99.1  
2016/0286982 A1 \* 10/2016 Smith ..... A47D 15/008  
2016/0302590 A1 \* 10/2016 Giveans ..... A47D 13/06  
2017/0065100 A1 \* 3/2017 Lange ..... A47D 13/063

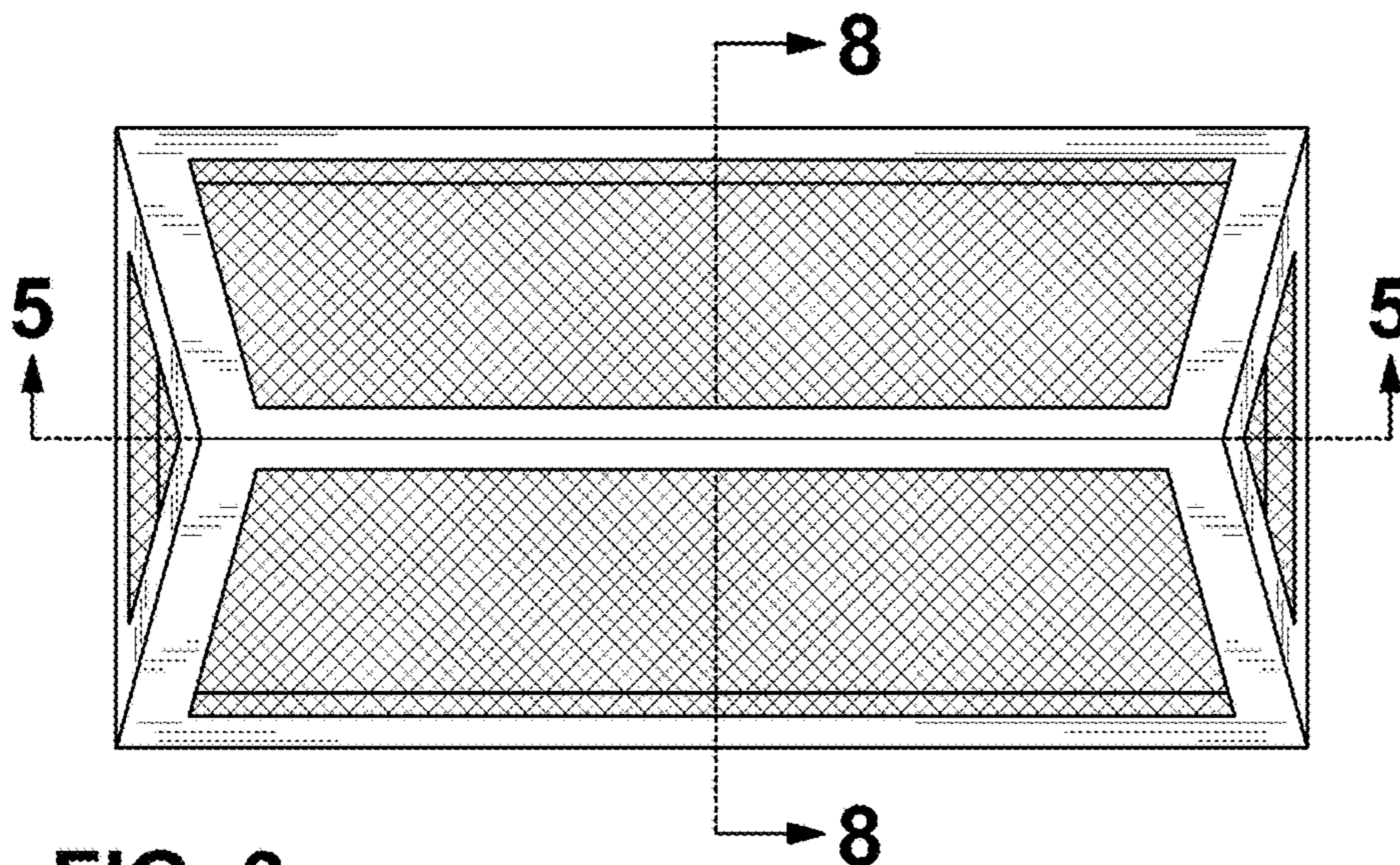
\* cited by examiner



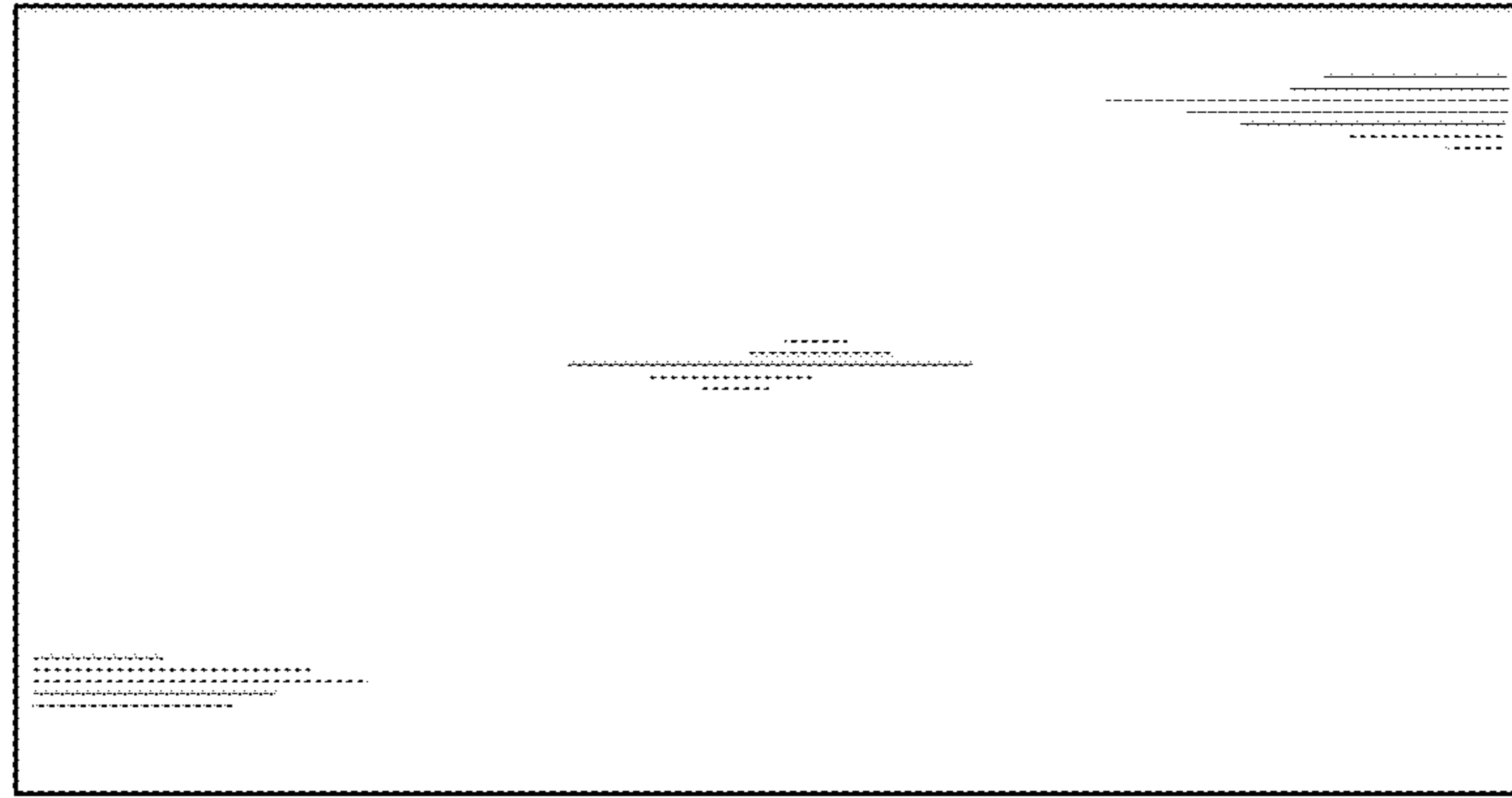
**FIG. 1**



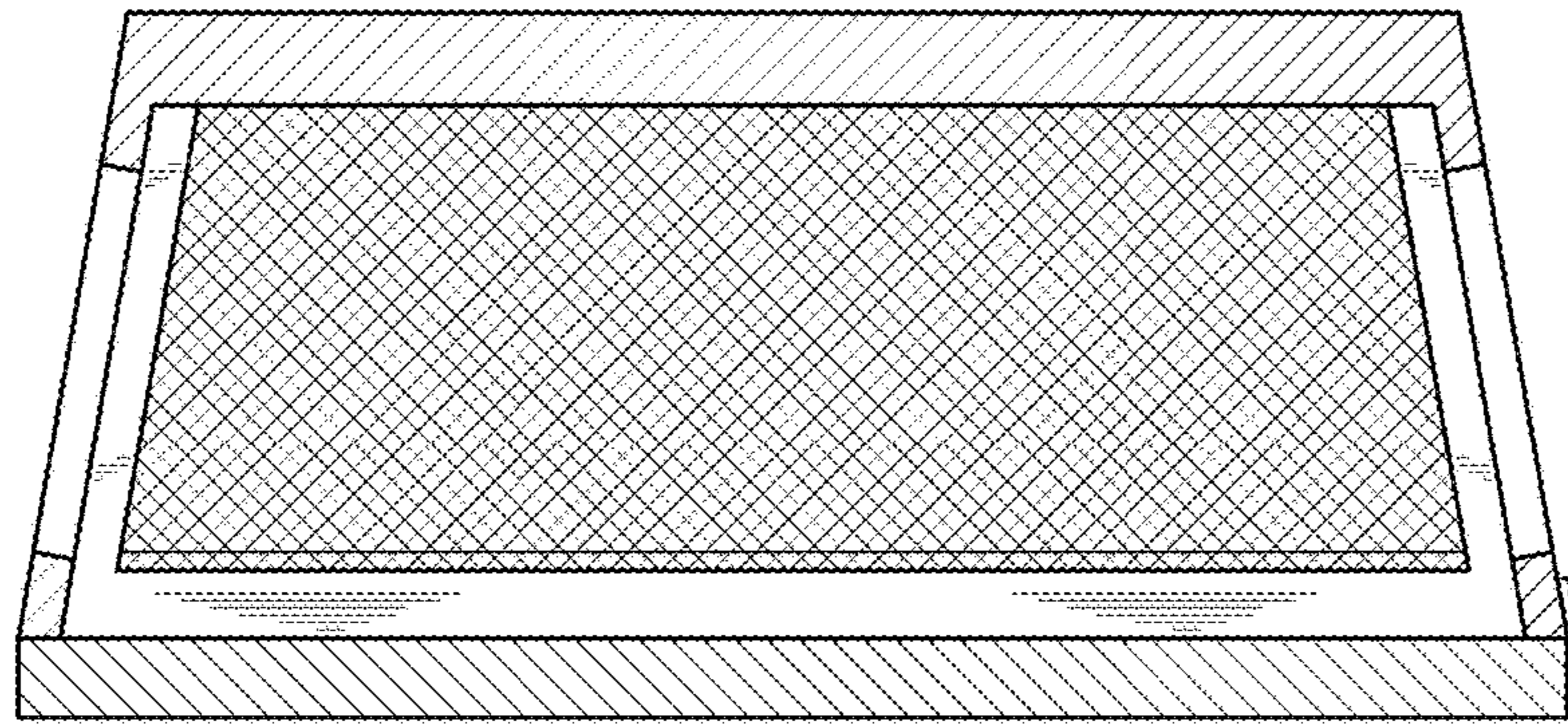
**FIG. 2**



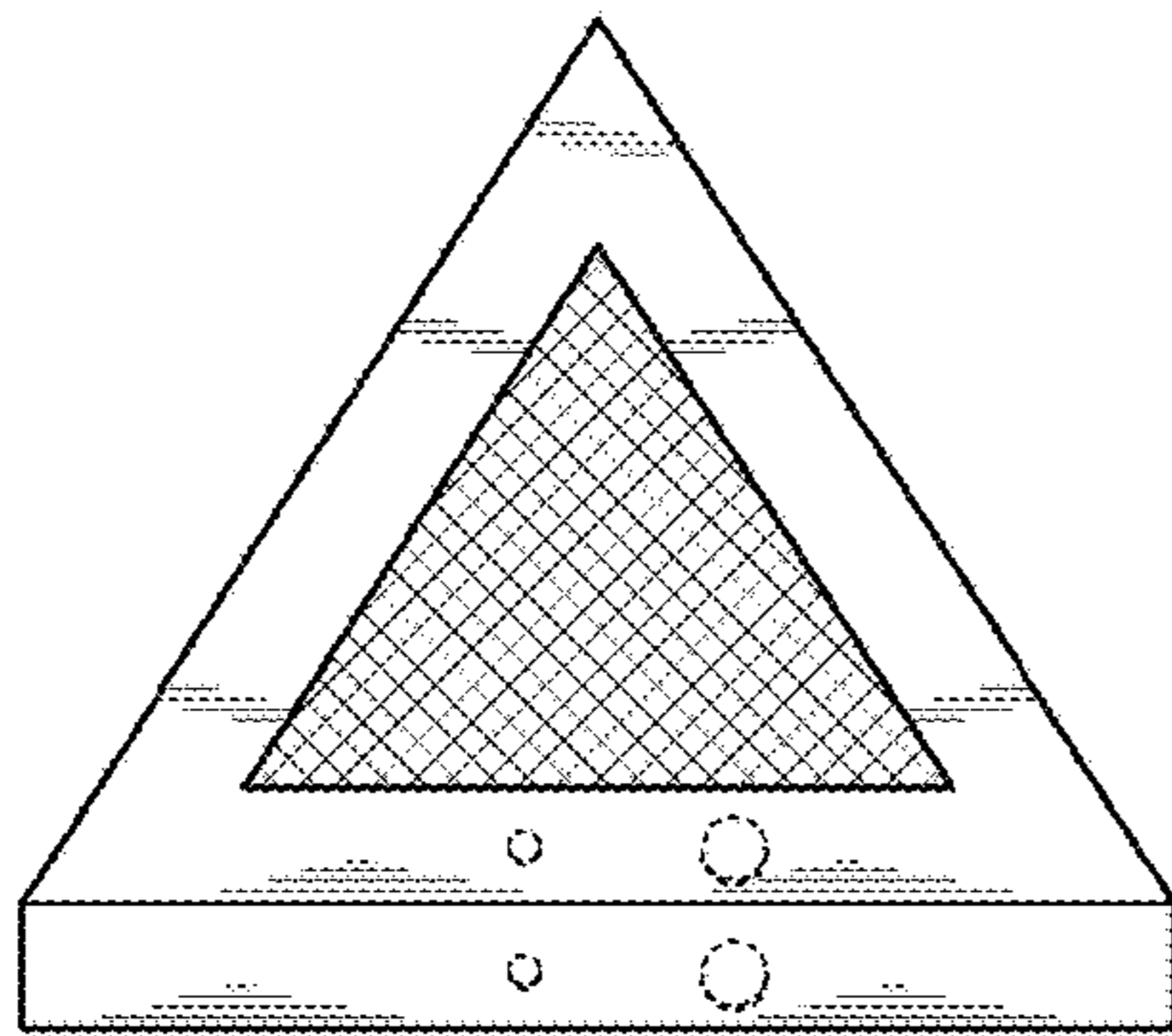
**FIG. 3**



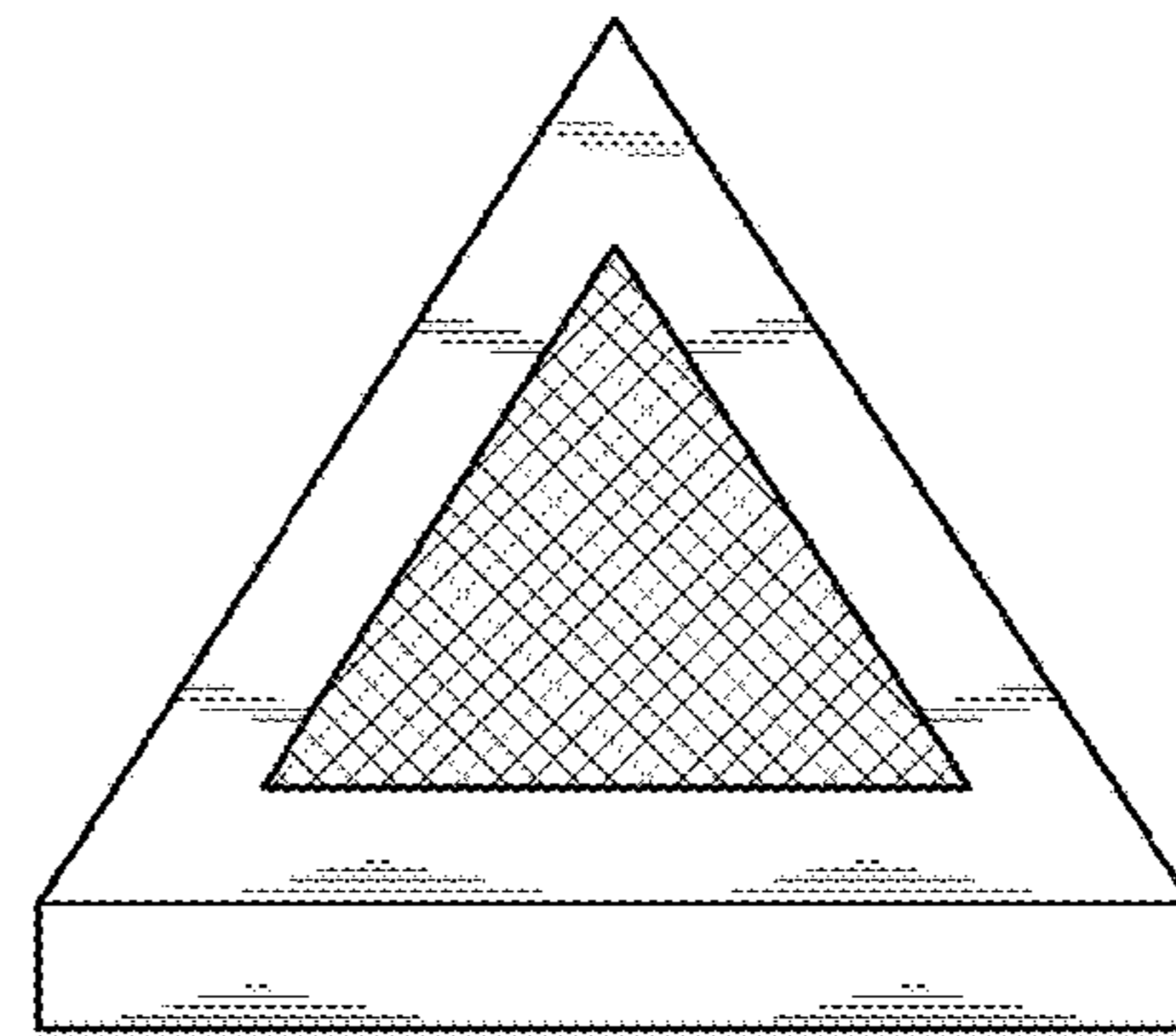
**FIG. 4**



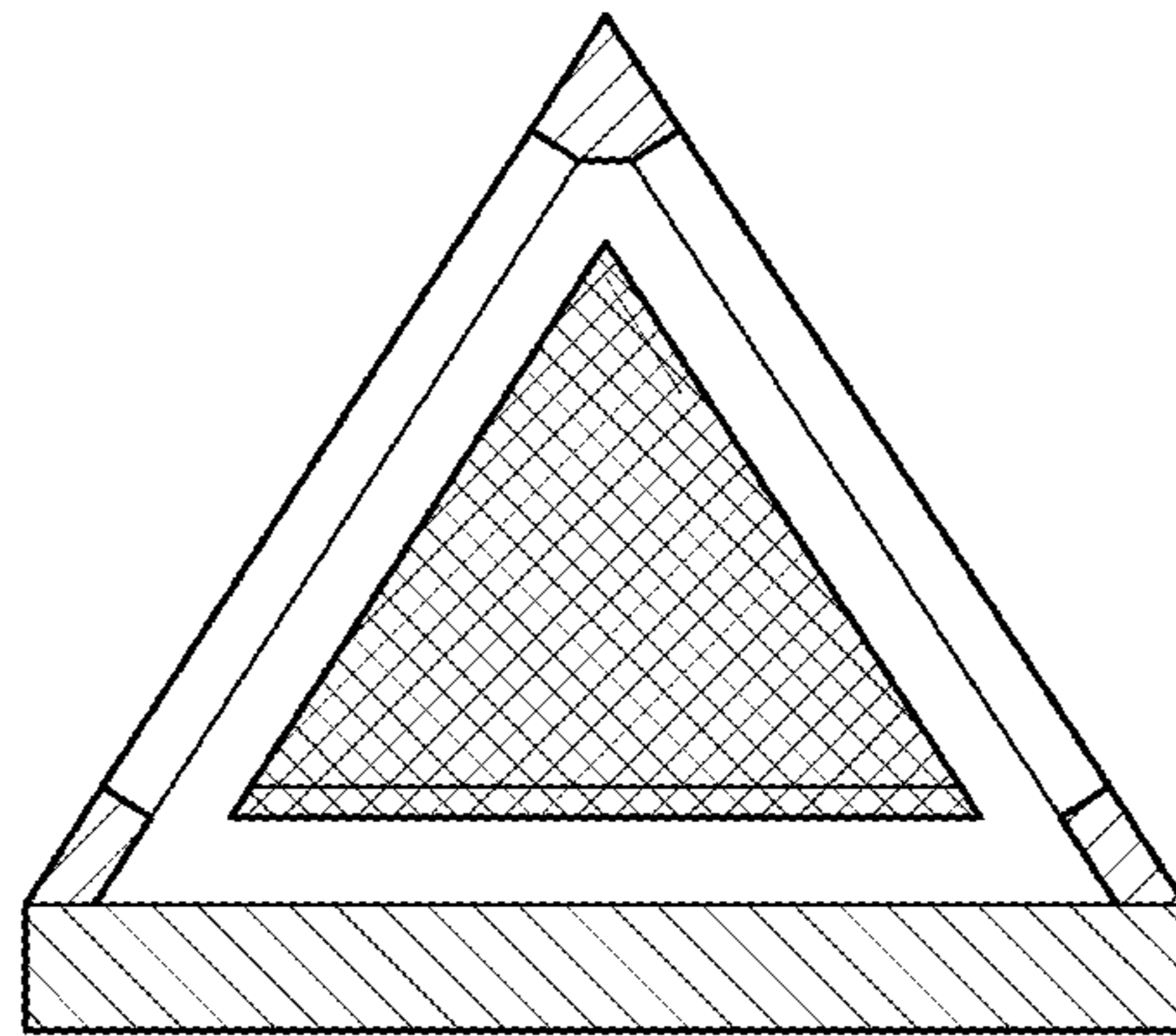
**FIG. 5**



**FIG. 6**



**FIG. 7**



**FIG. 8**