



US00D824690S

(12) **United States Design Patent**  
**Hale**

(10) **Patent No.:** **US D824,690 S**

(45) **Date of Patent:** **\*\* Aug. 7, 2018**

(54) **SOFA**

(71) Applicant: **Williams-Sonoma, Inc.**, San Francisco, CA (US)

(72) Inventor: **Edward Hale**, Brooklyn, NY (US)

(73) Assignee: **Williams-Sonoma, Inc.**, San Francisco, CA (US)

(\*\*) Term: **15 Years**

(21) Appl. No.: **29/616,838**

(22) Filed: **Sep. 8, 2017**

(51) **LOC (11) Cl.** ..... **06-01**

(52) **U.S. Cl.**  
USPC ..... **D6/381**

(58) **Field of Classification Search**  
CPC .... A47C 7/00; A47C 7/62; A47C 7/18; A47C 7/54; A47C 4/00; A47C 4/028; A47C 4/28; A47C 3/16; A47C 3/04; A47C 3/12; A47C 1/02; A47C 1/14  
See application file for complete search history.

(56) **References Cited**

**U.S. PATENT DOCUMENTS**

D175,131 S \* 7/1955 Rutter ..... D6/379  
D181,932 S \* 1/1958 Lubberts et al. .... D6/381  
D432,807 S \* 10/2000 Gollinucci ..... D6/334

D448,946 S \* 10/2001 Goetz ..... D6/381  
D477,472 S \* 7/2003 Bauchet ..... D6/381  
D487,998 S \* 4/2004 Natuzzi ..... D6/335  
D614,884 S \* 5/2010 Metcalf ..... D6/381  
D698,161 S \* 1/2014 Beucler ..... D6/334  
D699,451 S \* 2/2014 Beucler ..... D6/334  
D702,452 S \* 4/2014 Beucler ..... D6/381  
D702,953 S \* 4/2014 Beucler ..... D6/334  
D720,944 S \* 1/2015 Barber ..... D6/381  
D773,837 S \* 12/2016 Bougay ..... D6/334  
D785,359 S \* 5/2017 Massaud ..... D6/381  
D815,851 S \* 4/2018 Rafieha ..... D6/381

\* cited by examiner

*Primary Examiner* — Deanna L Pratt

(74) *Attorney, Agent, or Firm* — Cook Alex Ltd.; R. Blake Johnston

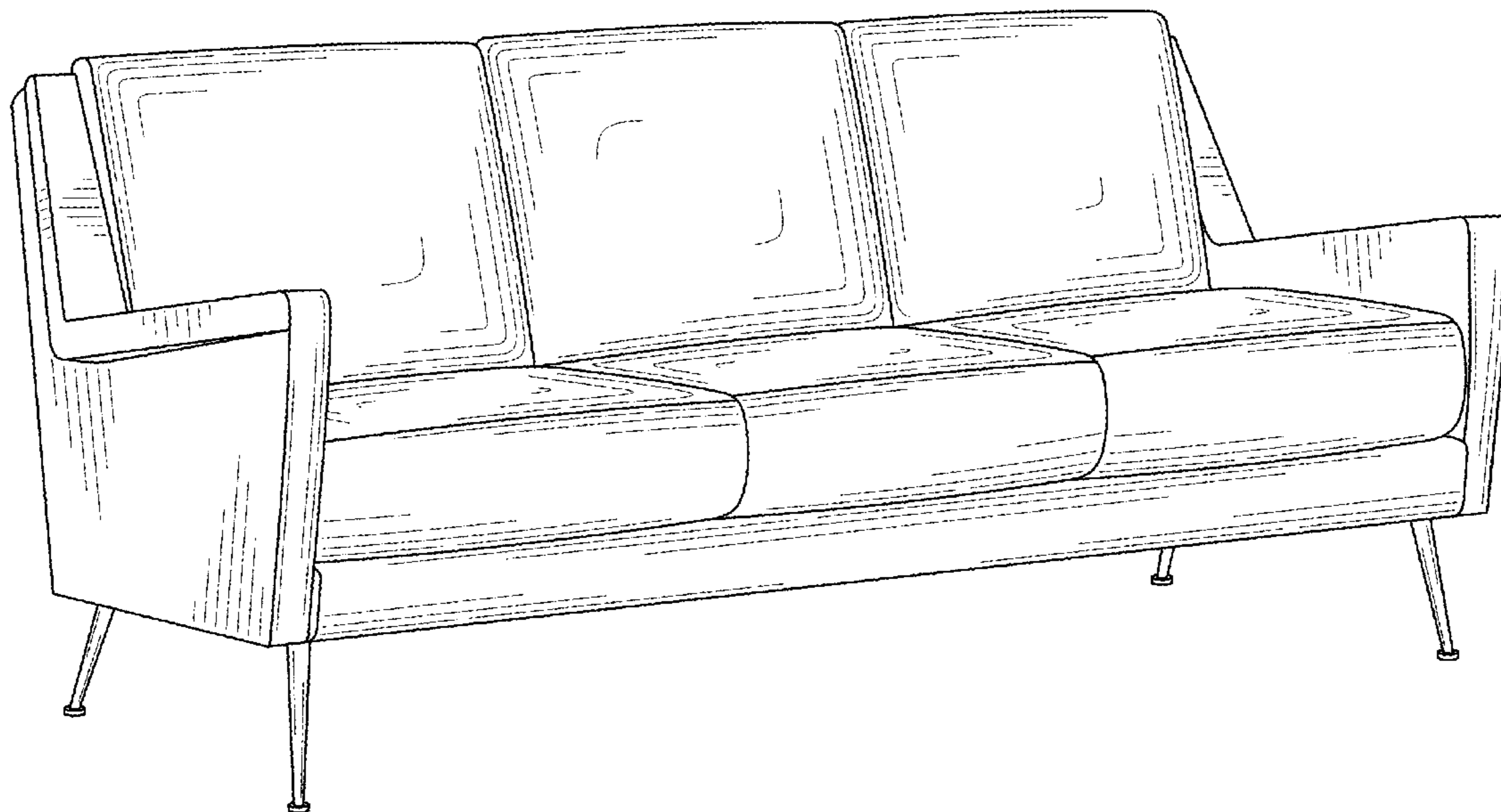
(57) **CLAIM**

The ornamental design for a sofa, as shown and described.

**DESCRIPTION**

FIG. 1 is a perspective view of the sofa;  
FIG. 2 is a front elevational view of the sofa;  
FIG. 3 is a rear elevational view of the sofa;  
FIG. 4 is a left side elevational view of the sofa;  
FIG. 5 is a right side elevational view of the sofa;  
FIG. 6 is a top plan view of the sofa; and,  
FIG. 7 is a bottom plan view of the sofa.

**1 Claim, 6 Drawing Sheets**



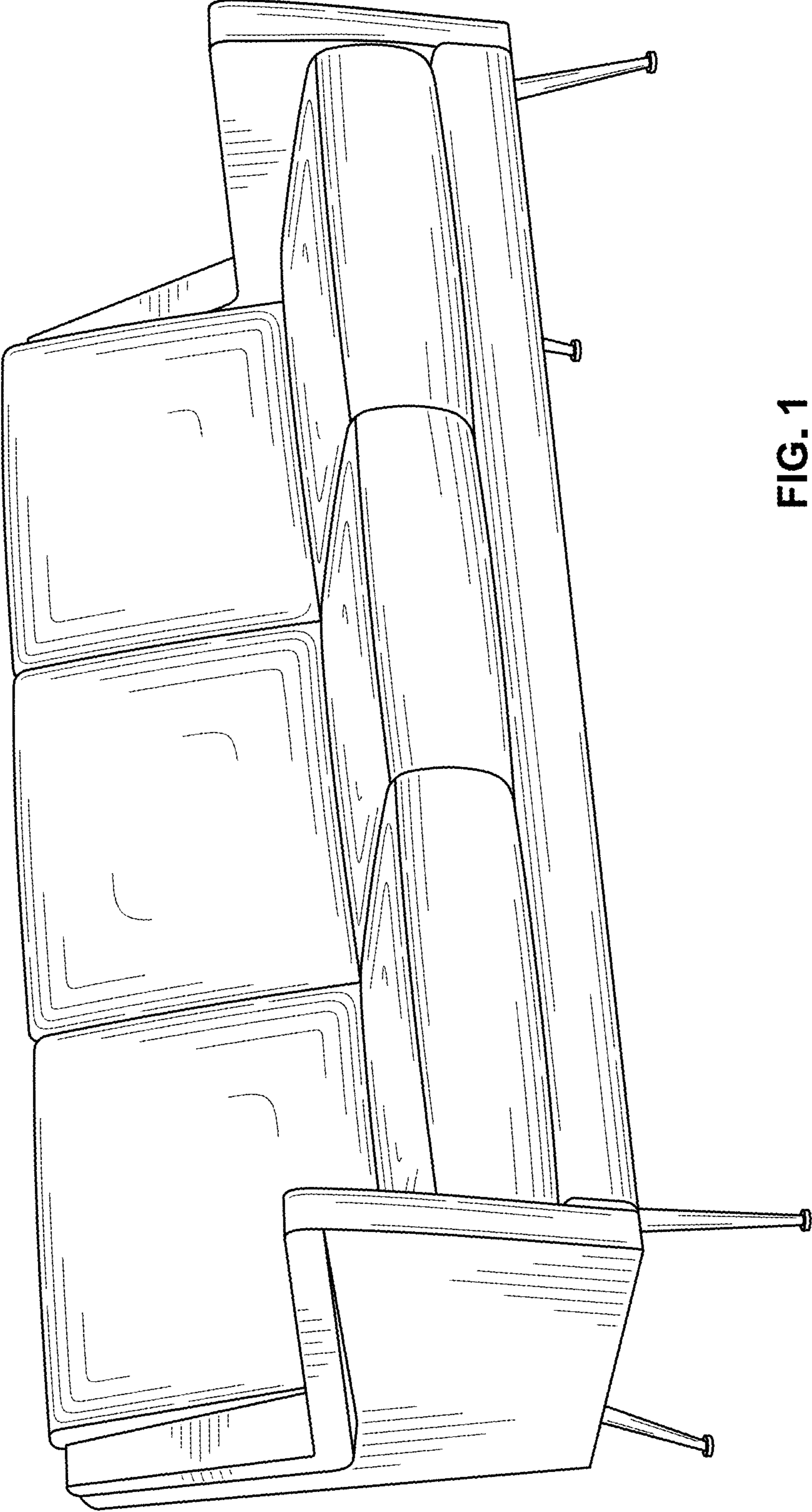


FIG. 1

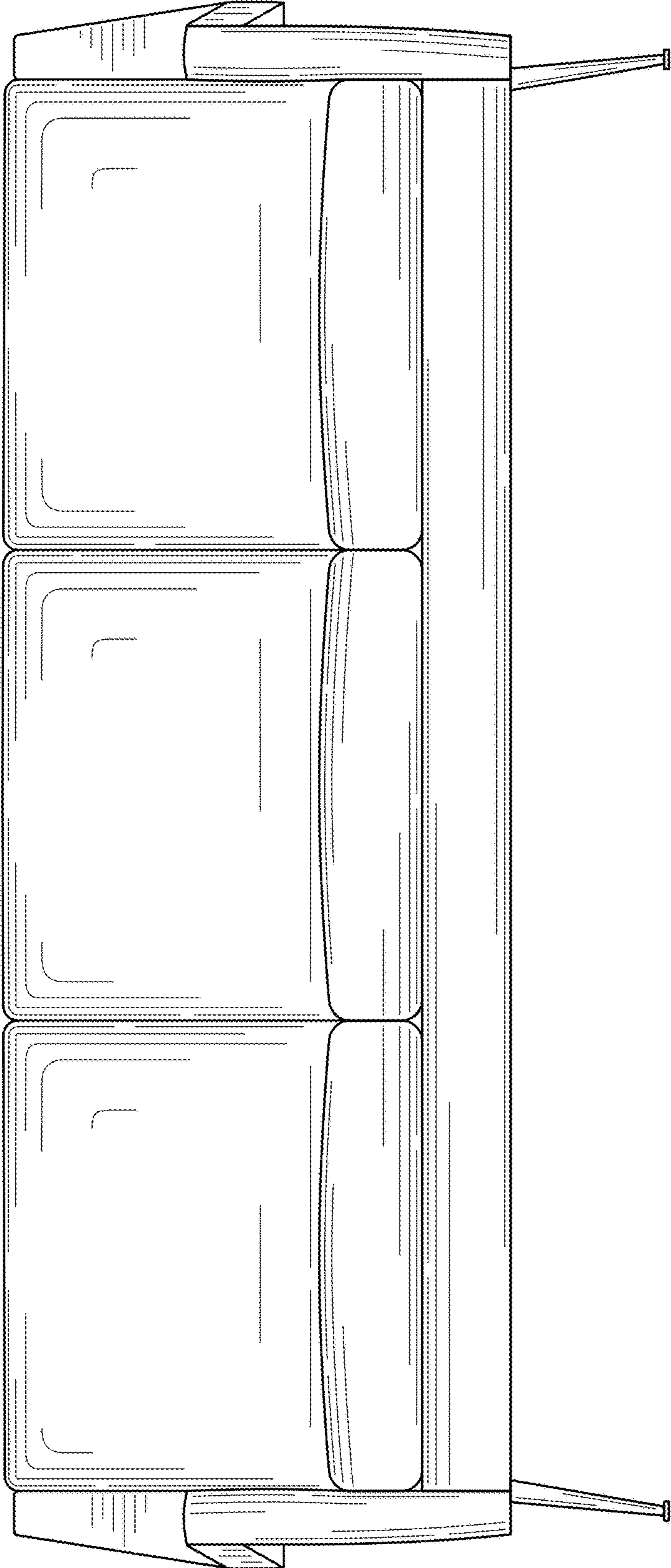


FIG. 2

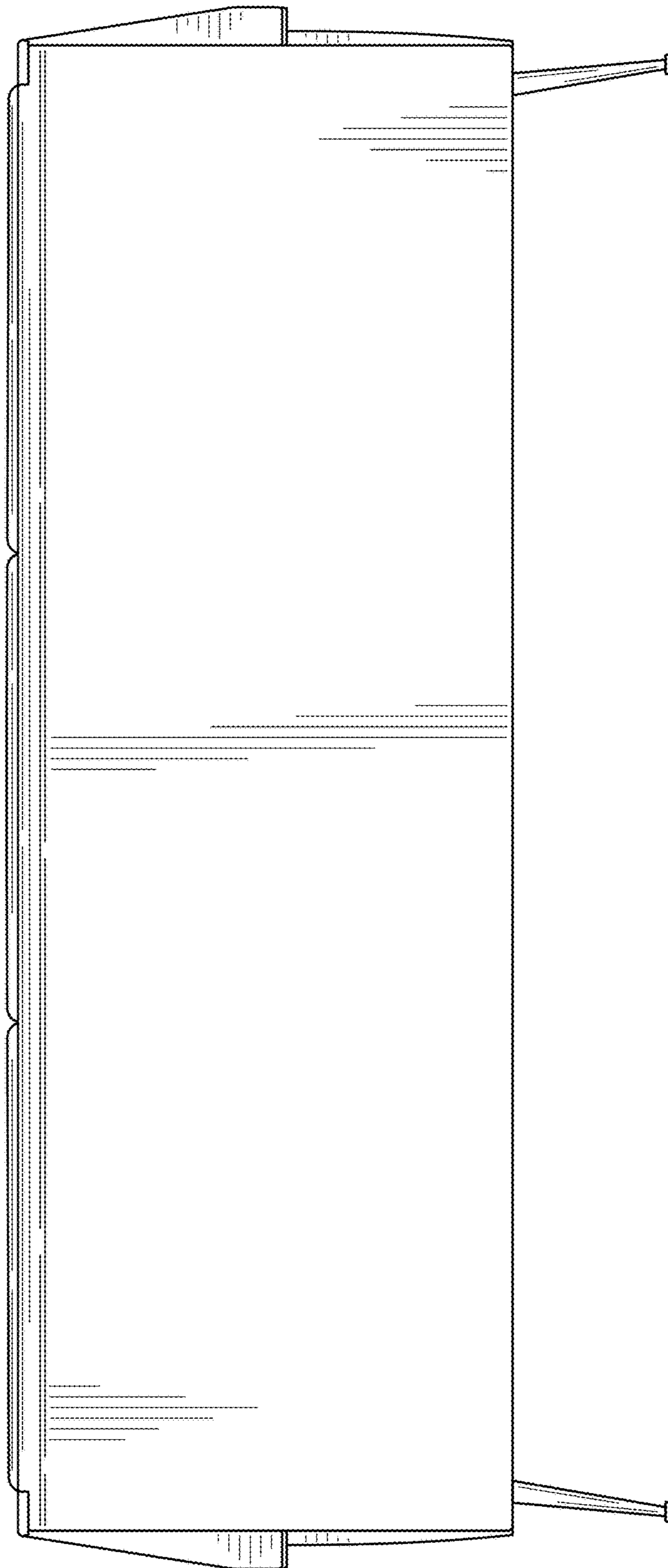


FIG. 3



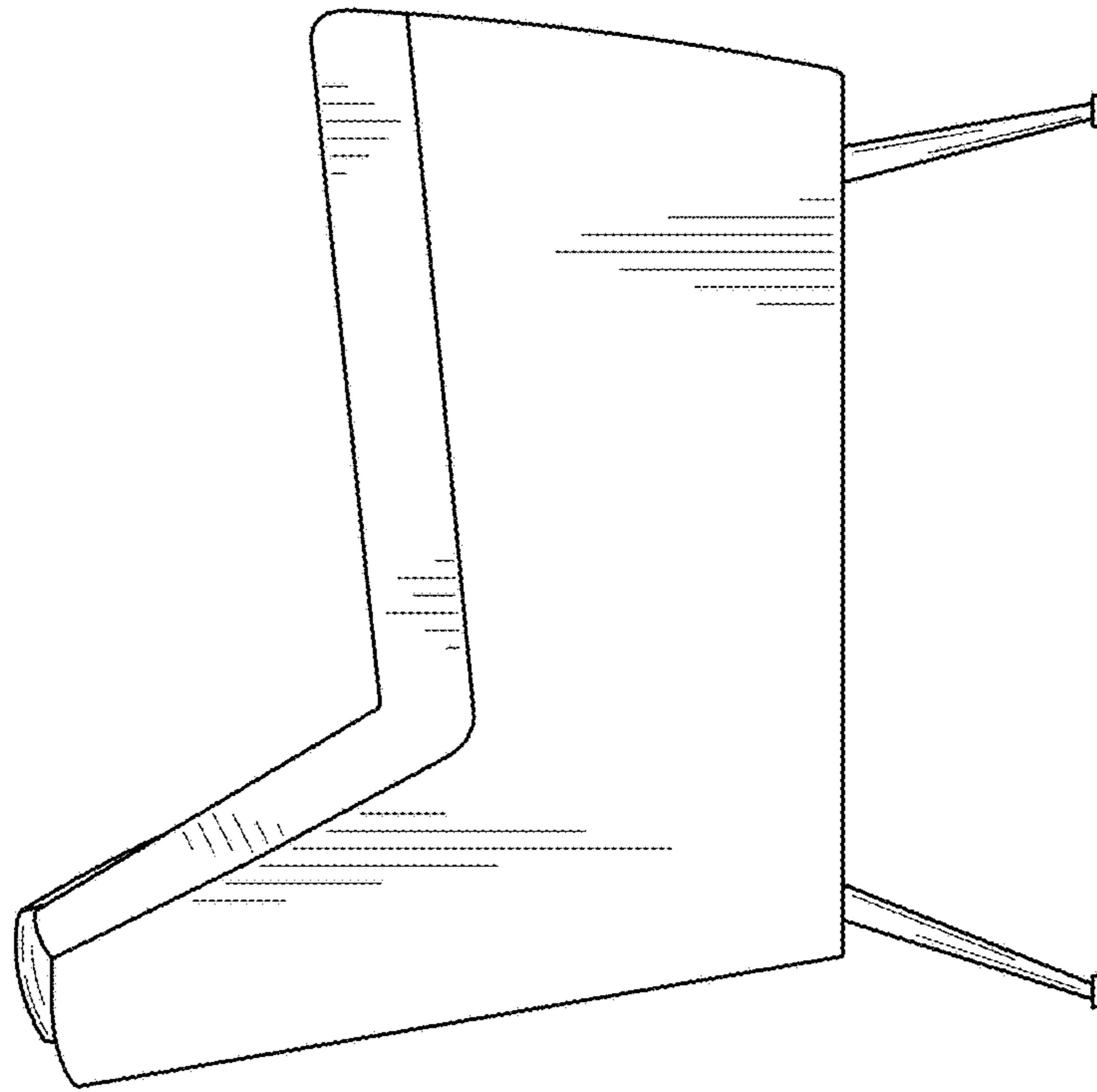


FIG. 5

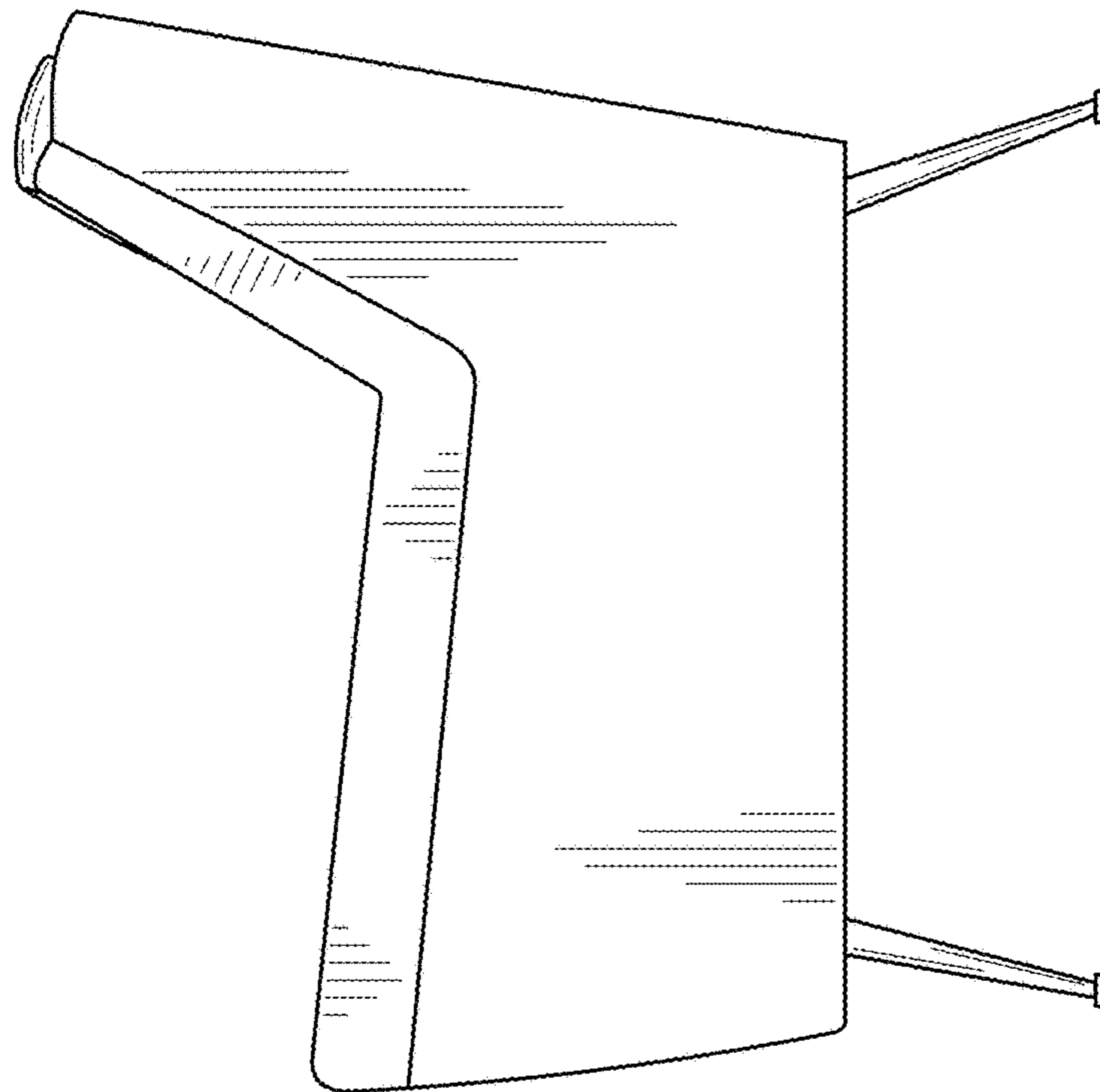


FIG. 4



FIG. 6

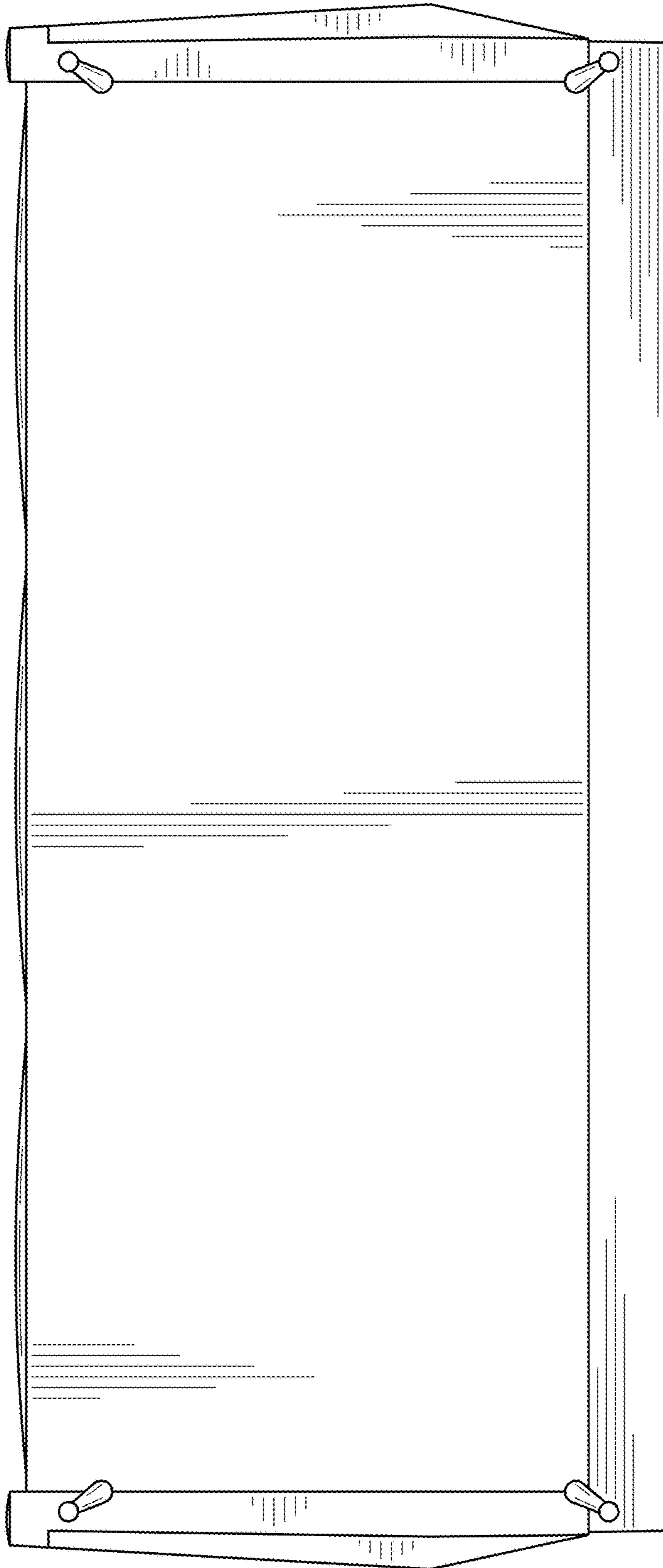


FIG. 7