



US00D824687S

(12) **United States Design Patent** (10) **Patent No.:** **US D824,687 S**
Liu (45) **Date of Patent:** **** Aug. 7, 2018**

- (54) **SOFA**
- (71) Applicant: **Merry Yard International Enterprise Corp.**, New Taipei (TW)
- (72) Inventor: **Pao-Yu Liu**, New Taipei (TW)
- (73) Assignee: **MERRY YARD INTERNATIONAL ENTERPRISE CORP.**, New Taipei (TW)
- (**) Term: **15 Years**
- (21) Appl. No.: **29/586,500**
- (22) Filed: **Dec. 5, 2016**
- (51) **LOC (11) Cl.** **06-01**
- (52) **U.S. Cl.**
 USPC **D6/369**
- (58) **Field of Classification Search**
 USPC D6/334-336, 369, 370, 371, 372, 373,
 D6/374, 375, 716, 716.1, 716.2, 716.3,
 D6/716.4
 CPC A47C 5/02; A47C 7/282; A47C 7/285;
 A47C 7/021; A47C 4/028
 See application file for complete search history.

(56) **References Cited**

U.S. PATENT DOCUMENTS

2,423,798	A *	7/1947	Sabner	A47C 4/028 297/411.44
D422,422	S *	4/2000	Black	D6/334
D491,378	S *	6/2004	Tyler	D6/369
D547,079	S *	7/2007	Wang	D6/369
D650,605	S *	12/2011	Haimoff	D6/369
D702,051	S *	4/2014	Rasenberg	D6/334
D706,052	S *	6/2014	Arnon	D6/369
D784,714	S *	4/2017	Bougay	D6/369
D784,715	S *	4/2017	Bougay	D6/369

* cited by examiner

Primary Examiner — Mimoso De
 (74) *Attorney, Agent, or Firm* — Bacon & Thomas, PLLC

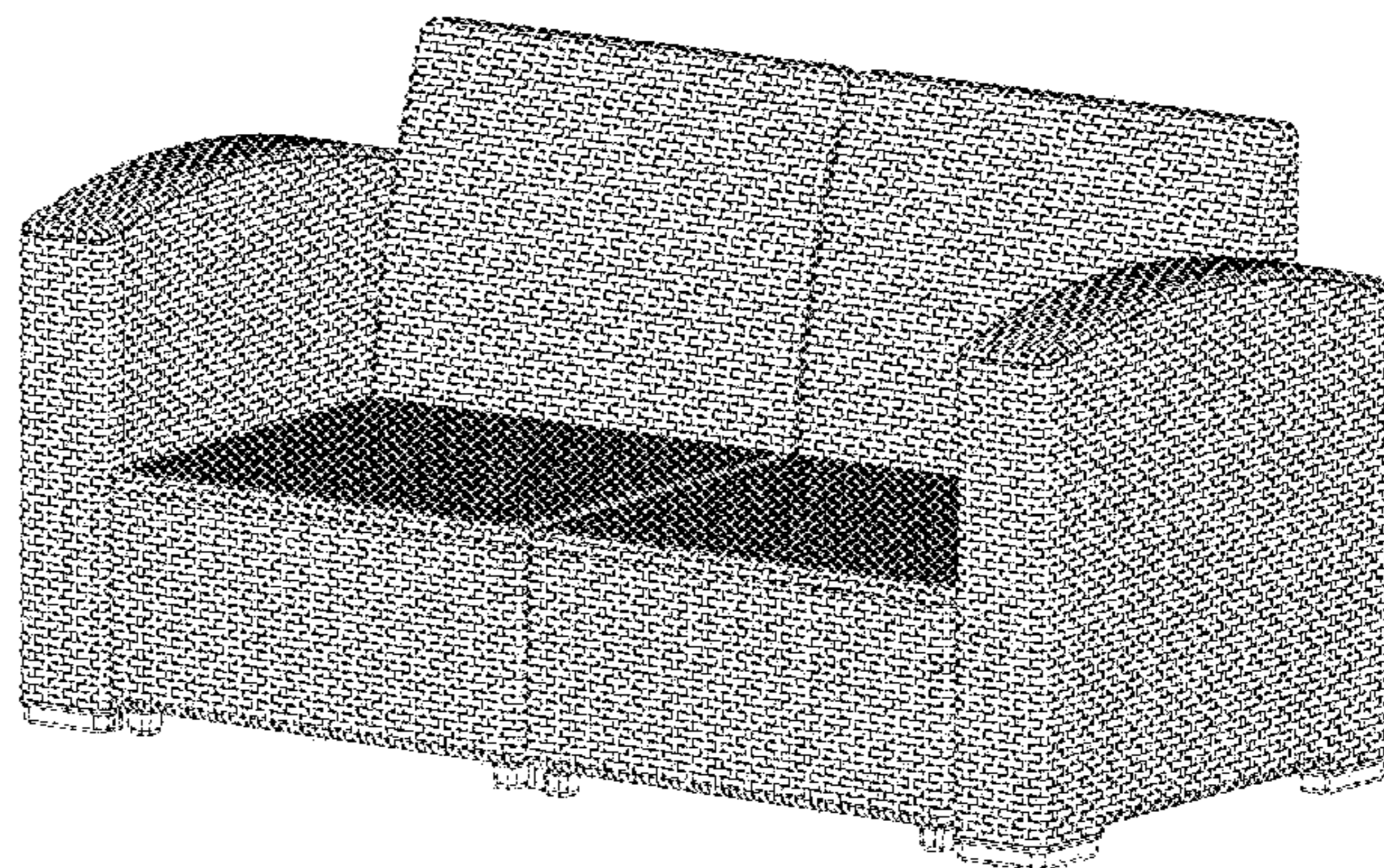
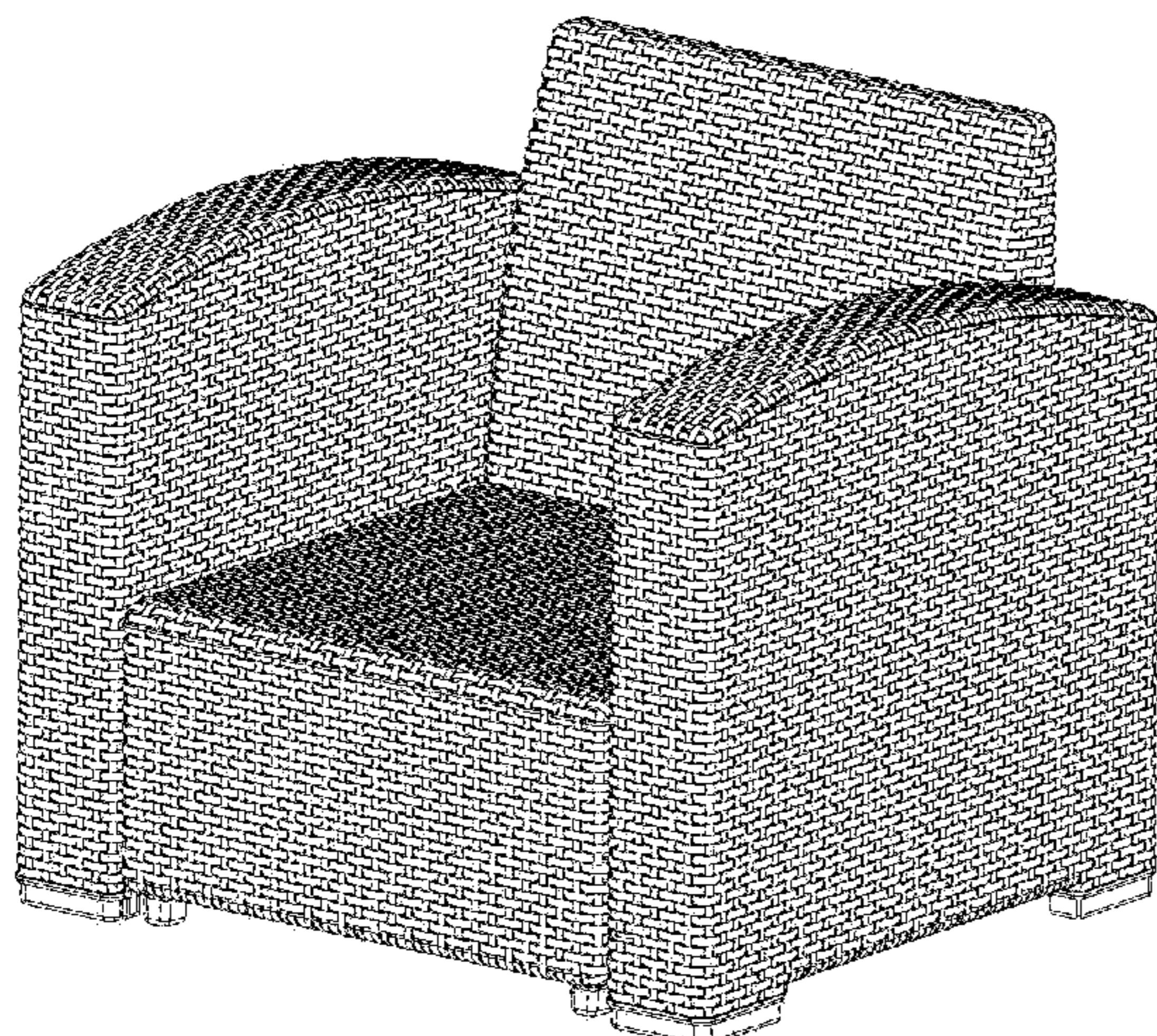
(57) **CLAIM**

The ornamental design for a sofa, as shown and described.

DESCRIPTION

FIG. 1 is a perspective view of a first design of the sofa showing our new design;
 FIG. 2 is a front elevational view of the sofa shown in FIG. 1;
 FIG. 3 is a rear elevational view of the sofa shown in FIG. 1;
 FIG. 4 is a side elevational view of one side of the sofa shown in FIG. 1, with FIG. 5 being a side elevational view of the other side of the sofa shown in FIG. 1;
 FIG. 6 is a top plan view of the sofa shown in FIG. 1;
 FIG. 7 is a bottom plan view of the sofa shown in FIG. 1;
 FIG. 8 is a perspective view of a second design of the sofa showing our new design;
 FIG. 9 is a front elevational view of the sofa shown in FIG. 8;
 FIG. 10 is a rear elevational view of the sofa shown in FIG. 8;
 FIG. 11 is a side elevational view of one side of the sofa shown in FIG. 8, with FIG. 12 being a side elevational view of the other side of the sofa shown in FIG. 8;
 FIG. 13 is a top plan view of the sofa shown in FIG. 8; and,
 FIG. 14 is a bottom plan view of the sofa shown in FIG. 8;
 The broken line portions of the drawings do not form any part of the claimed design.

1 Claim, 14 Drawing Sheets



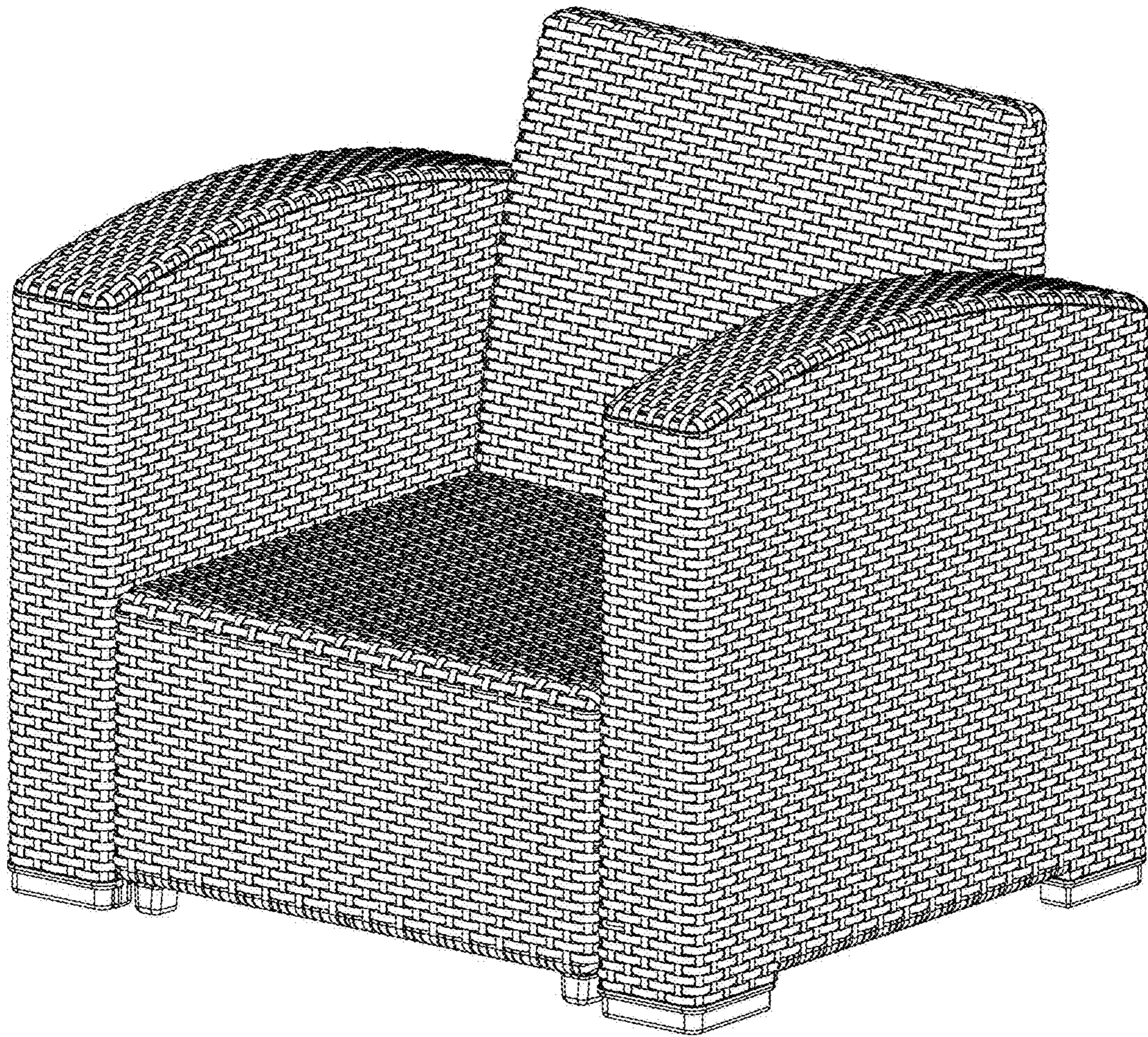


FIG. 1

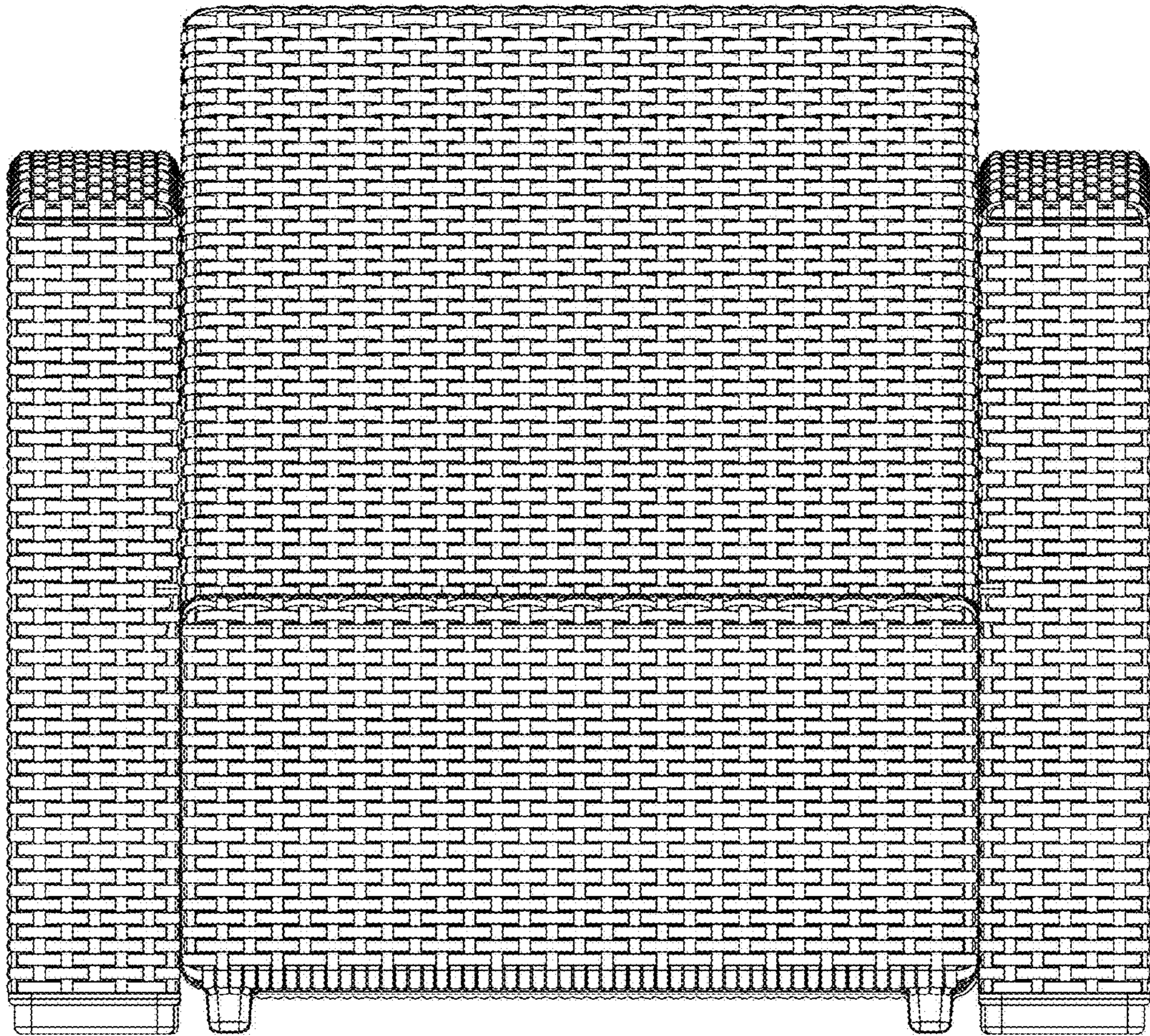


FIG. 2

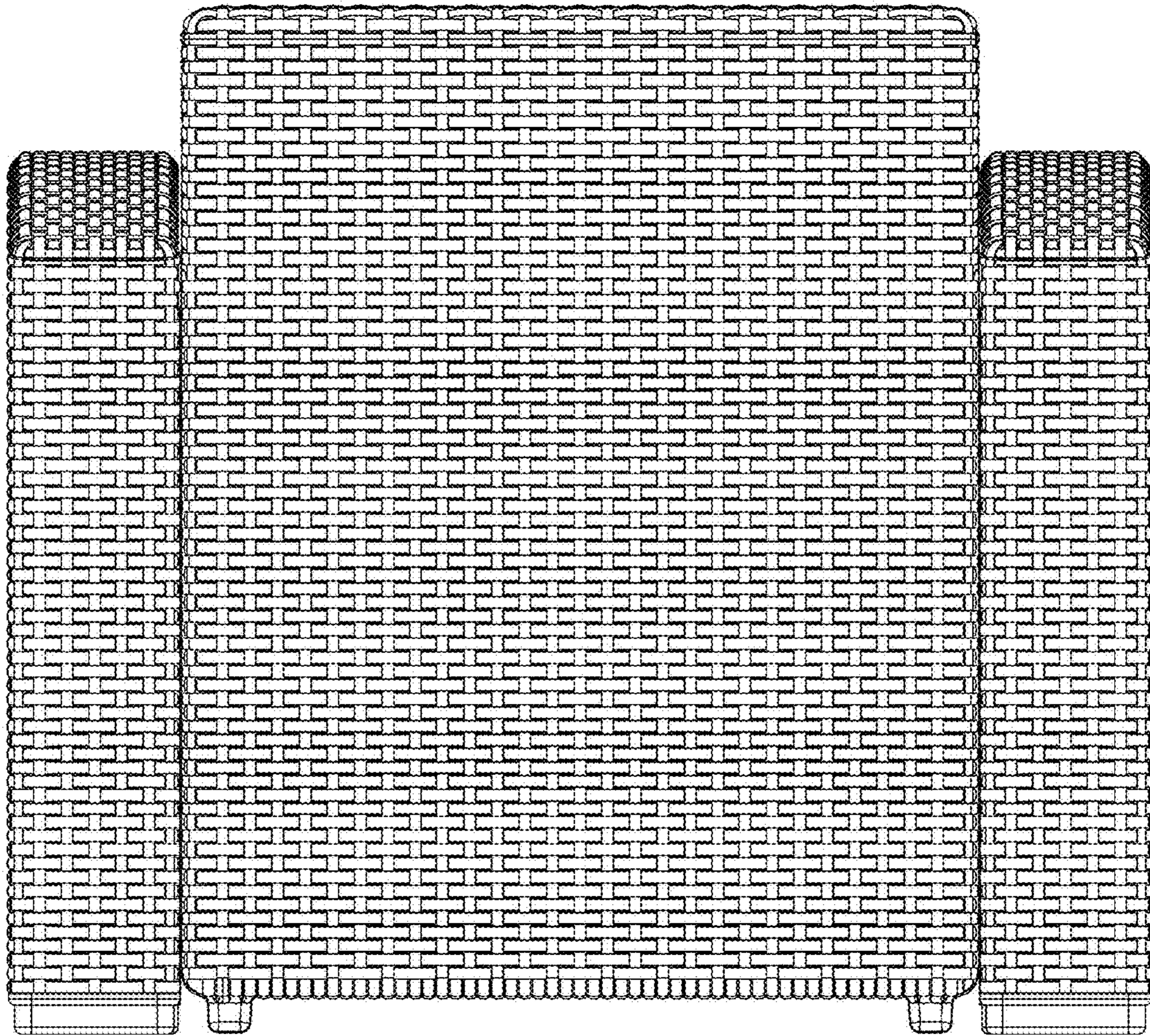


FIG. 3

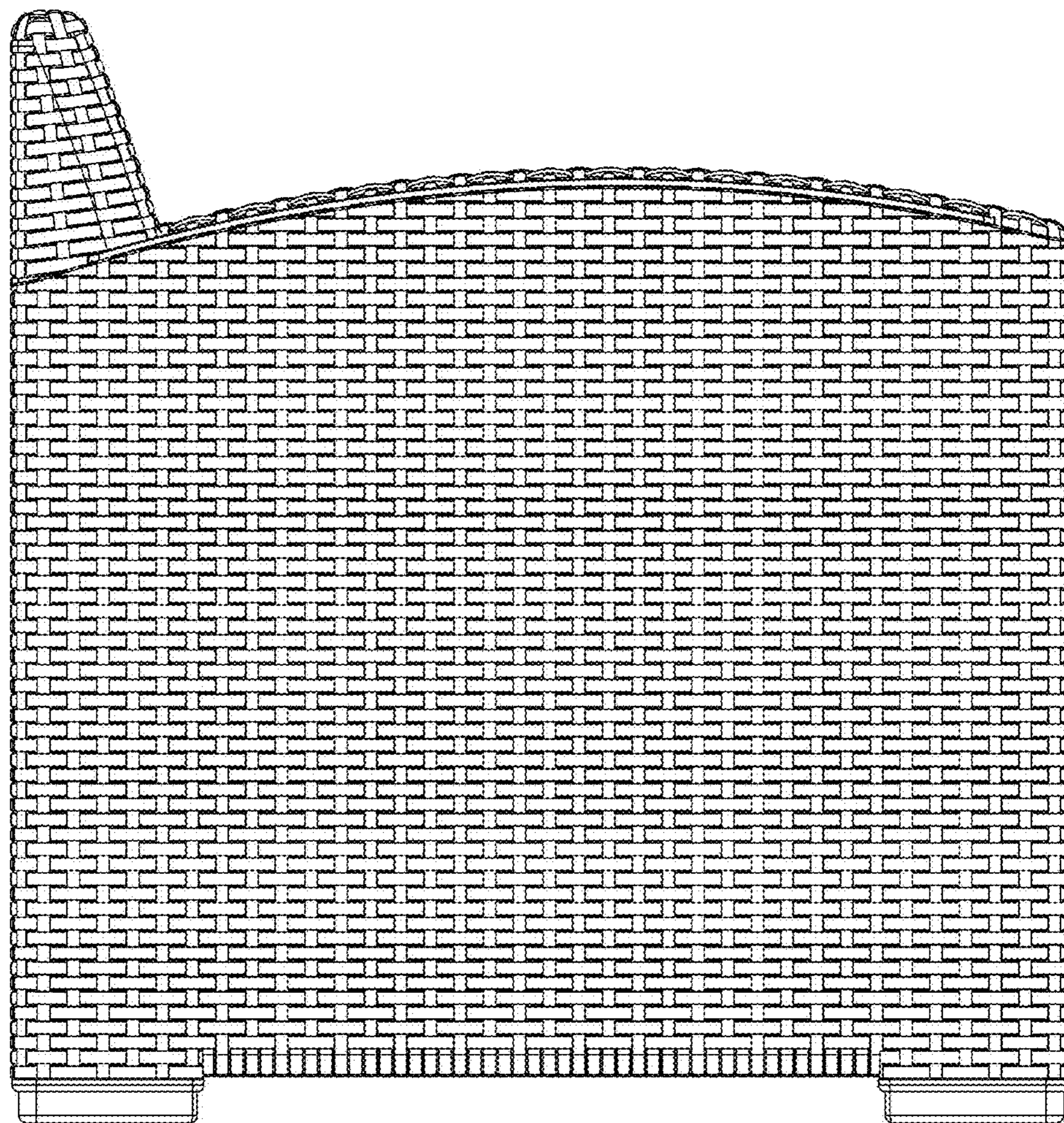


FIG. 4

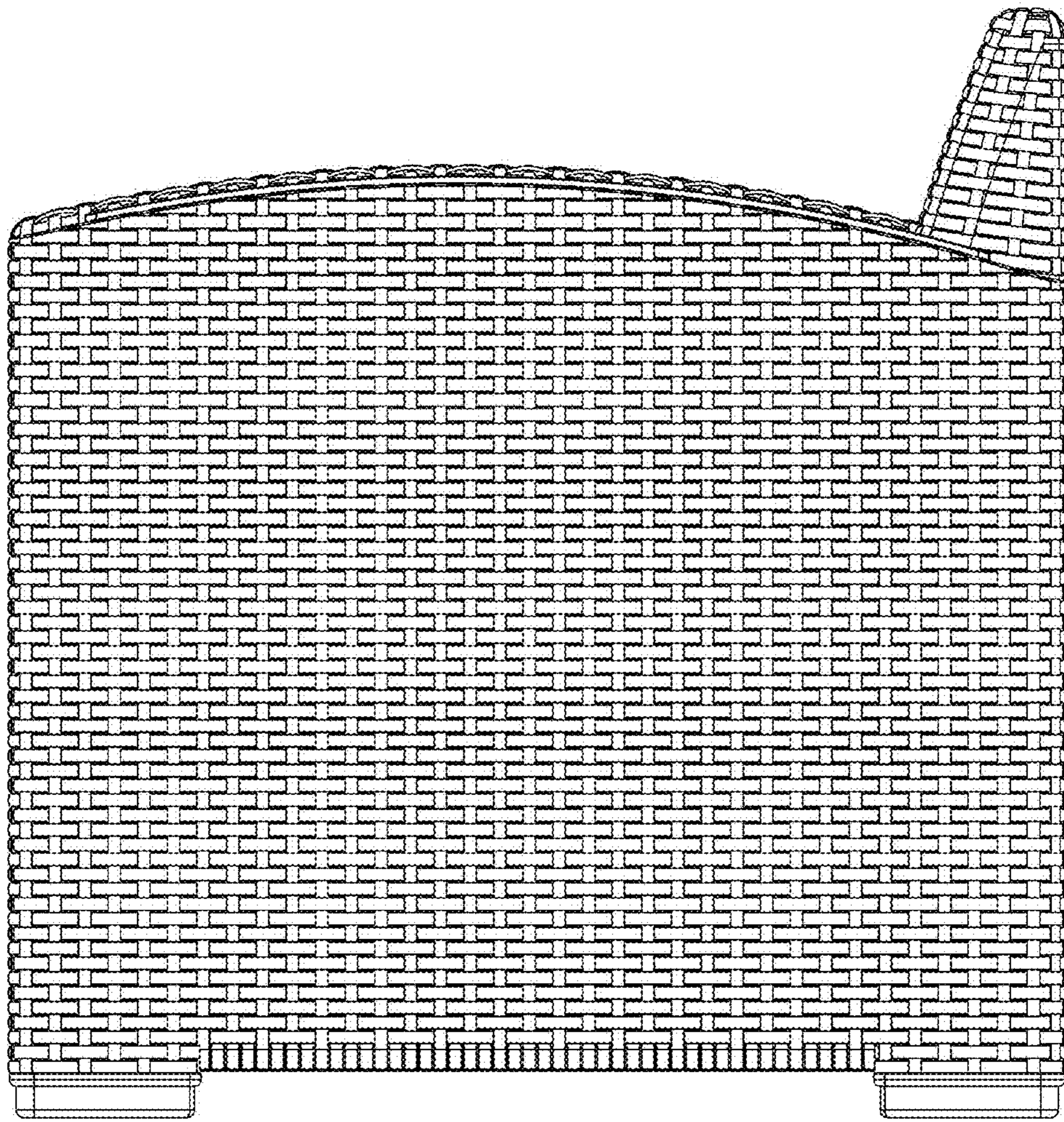


FIG. 5

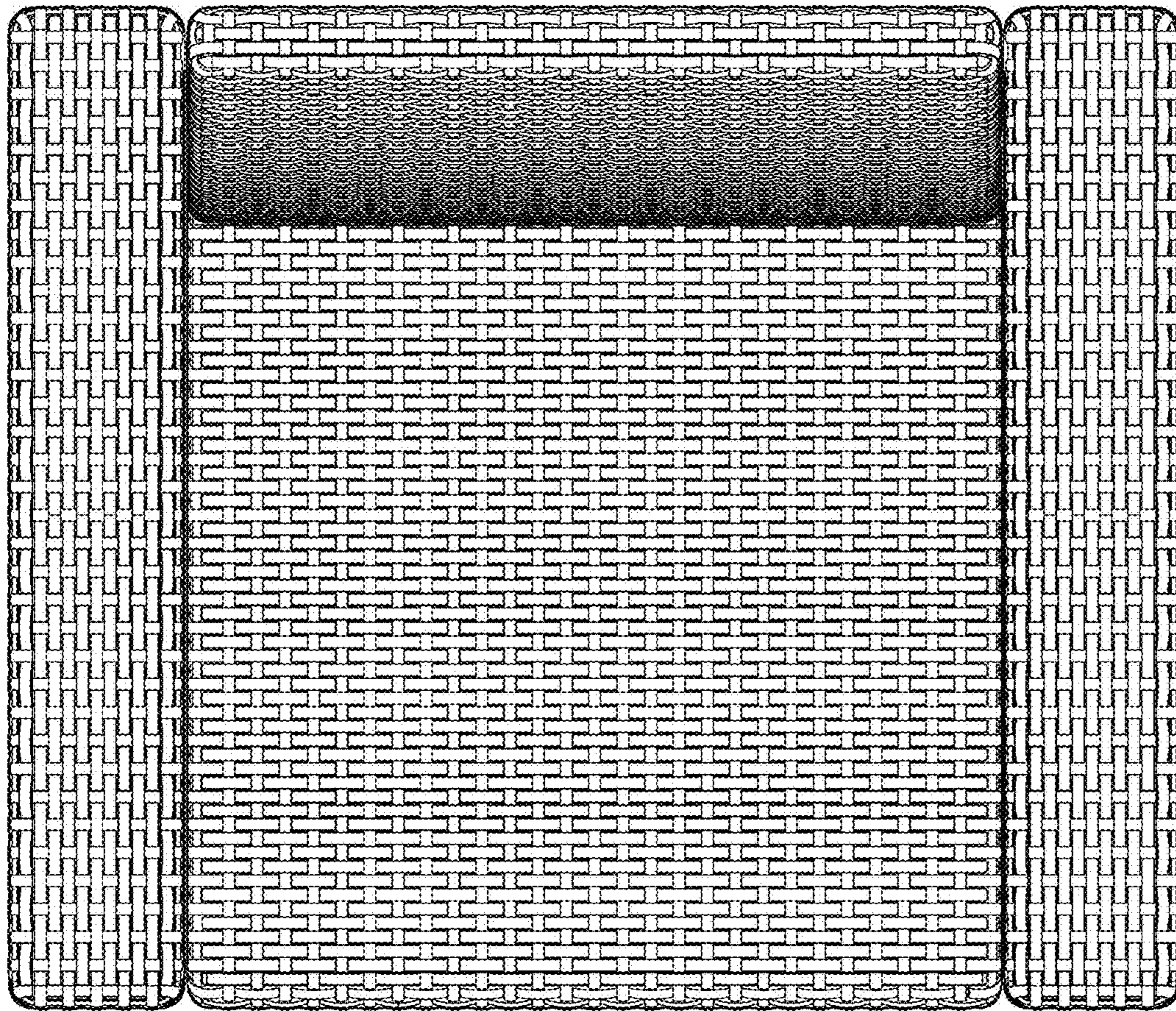


FIG. 6

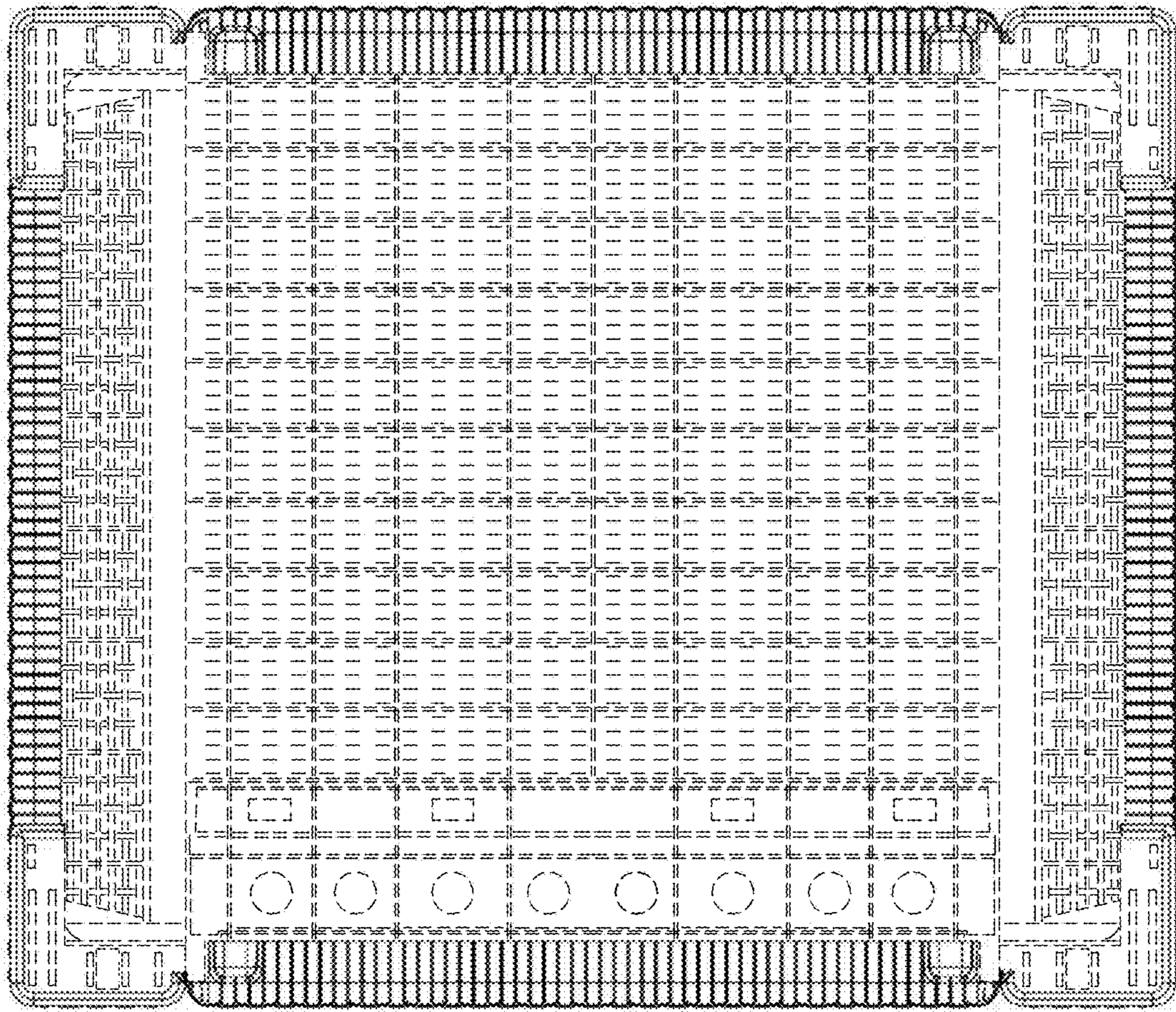


FIG. 7

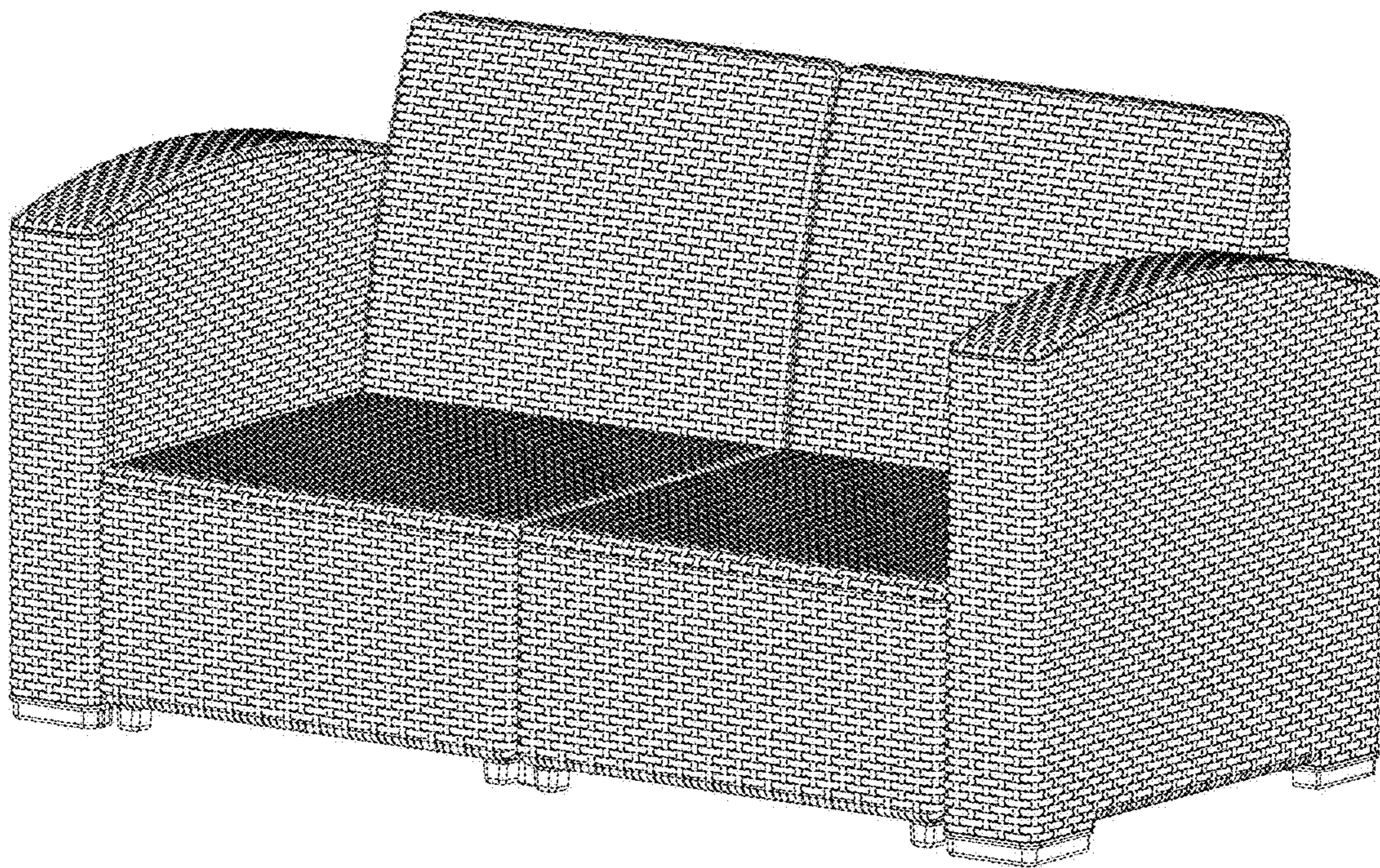


FIG. 8

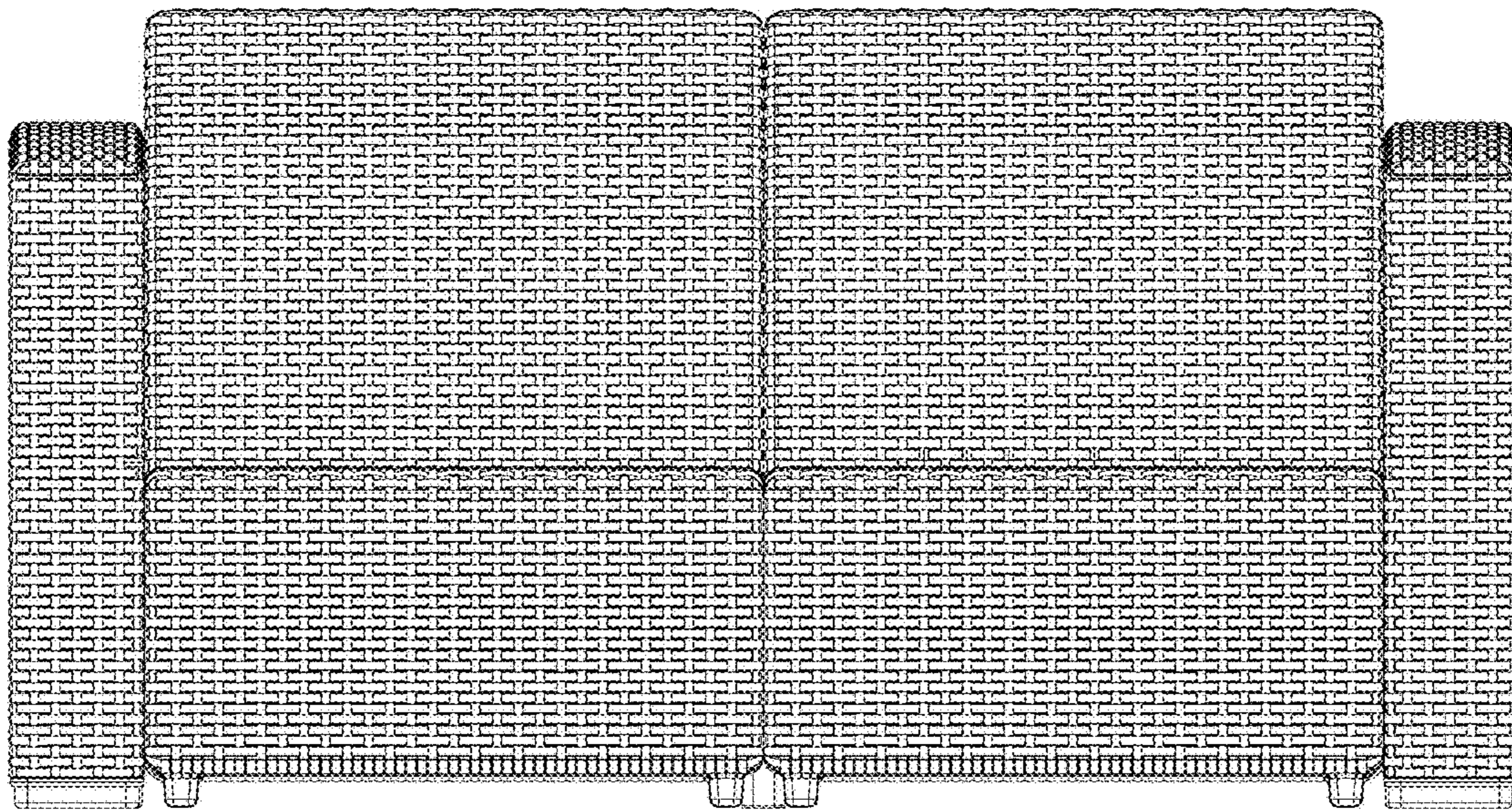


FIG. 9

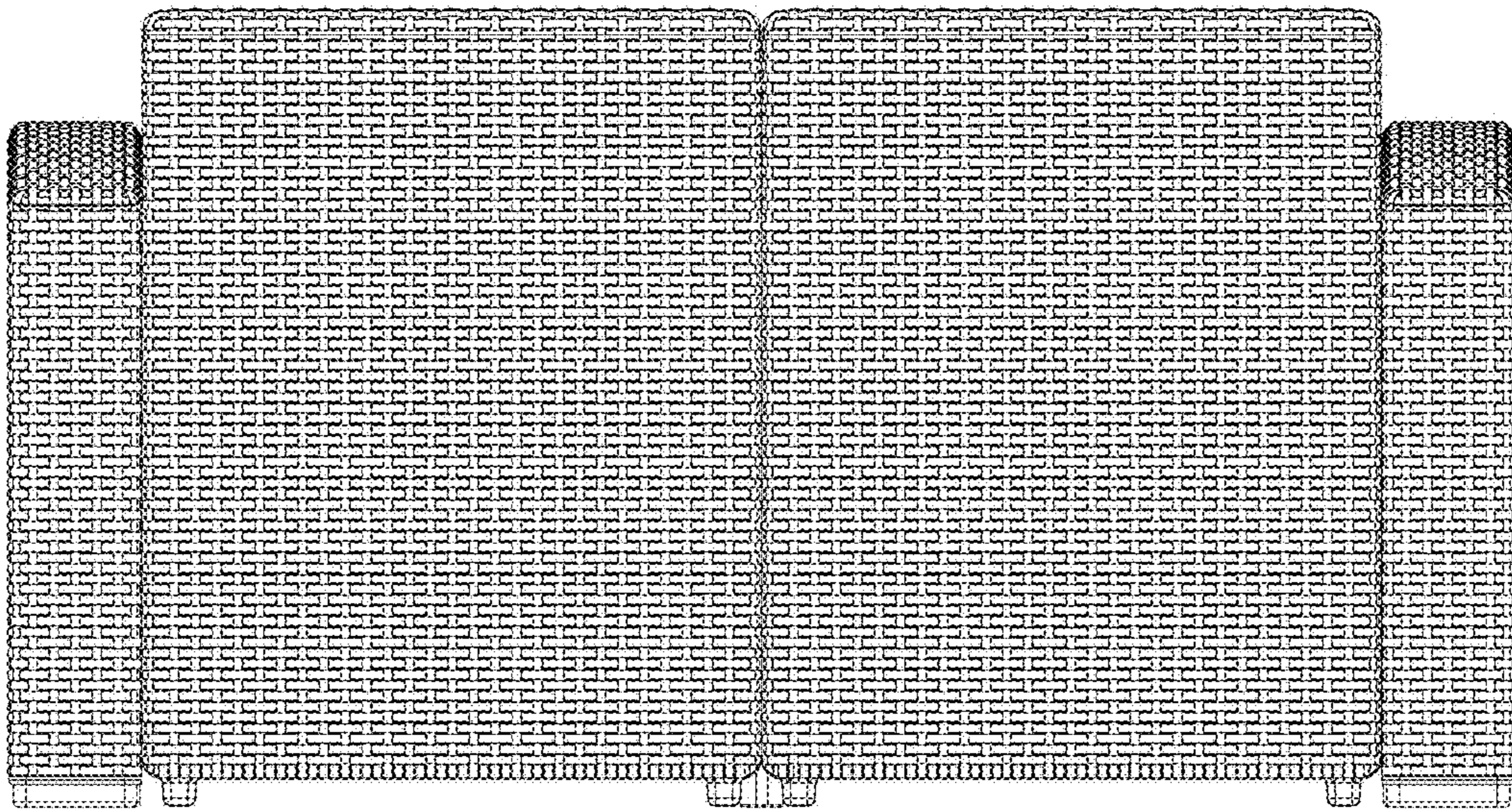


FIG. 10

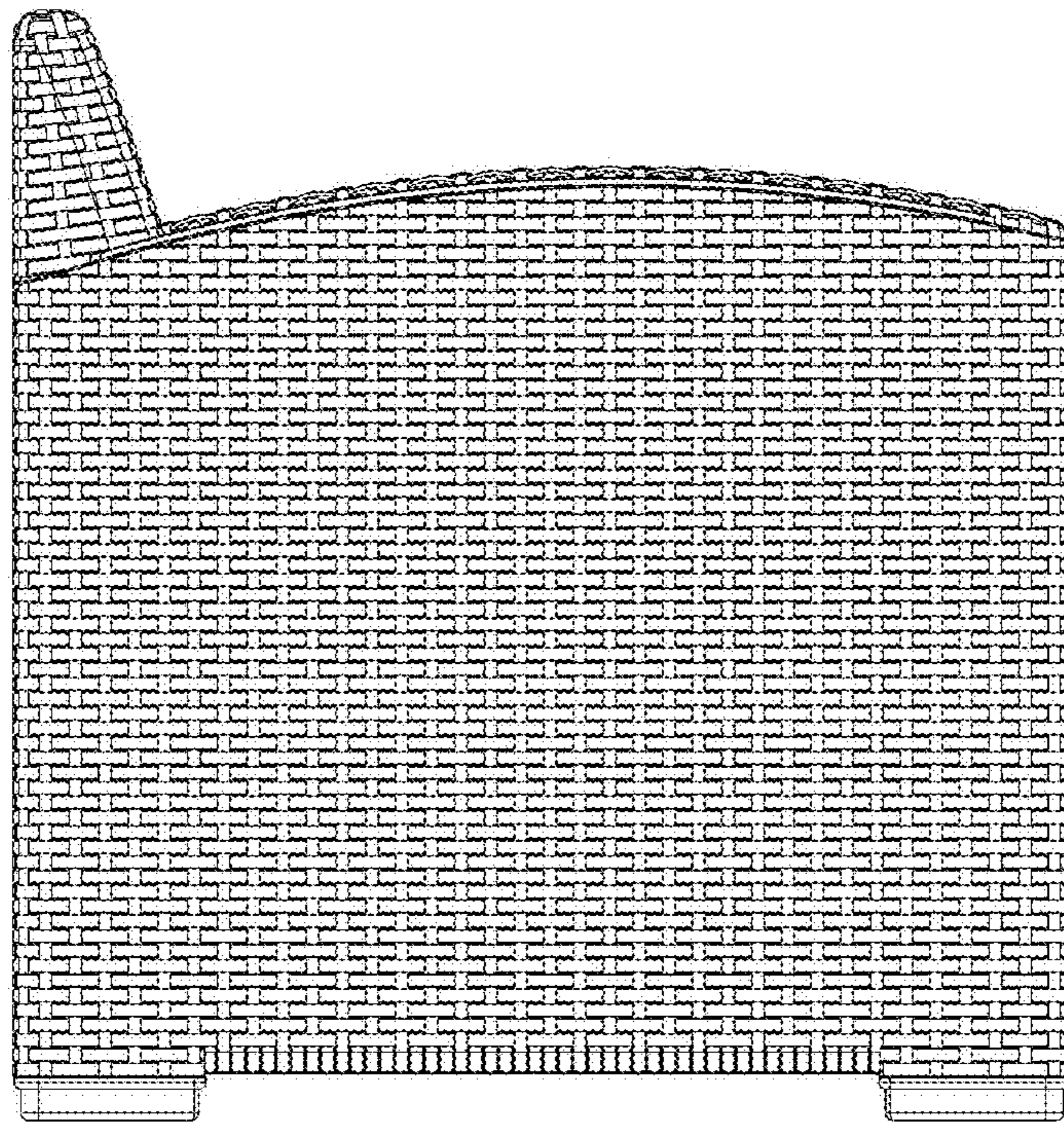


FIG. 11

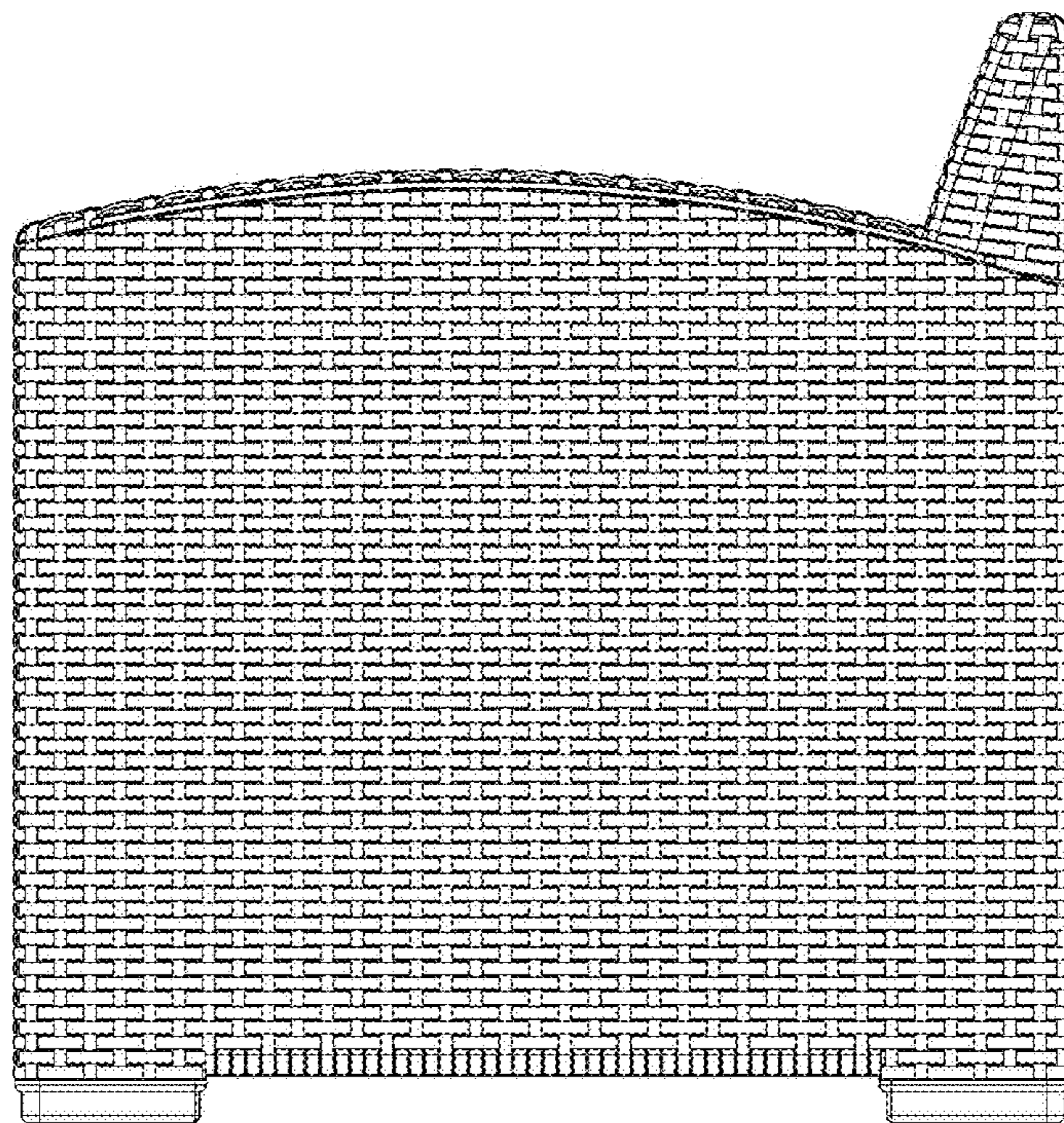


FIG. 12

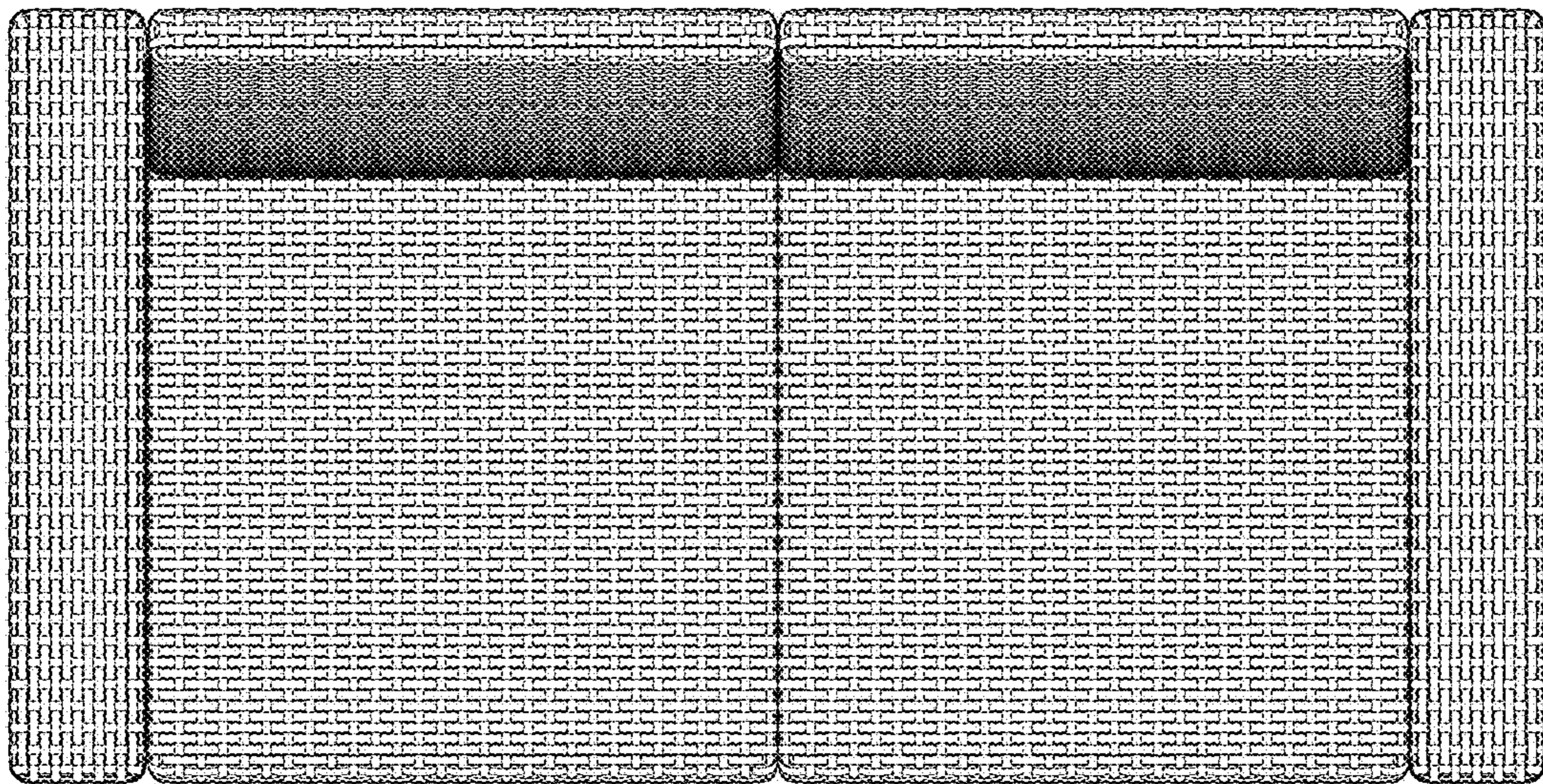


FIG. 13

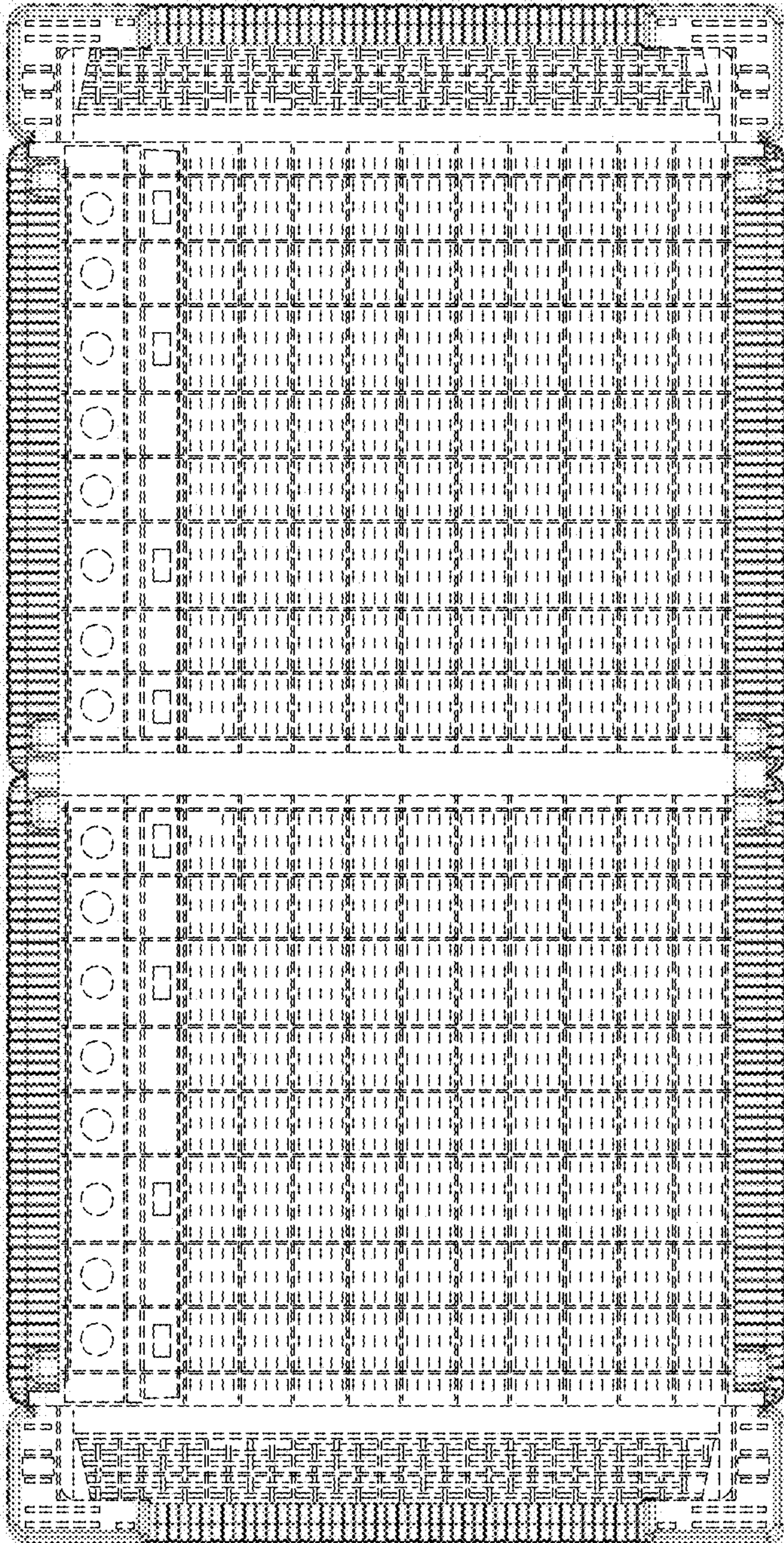


FIG. 14