



US00D824685S

(12) **United States Design Patent** (10) **Patent No.:** **US D824,685 S**  
**Dix** (45) **Date of Patent:** **\*\* Aug. 7, 2018**

(54) **SEAT**  
(71) Applicant: **Southern Motion, Inc.**, Pontotoc, MS (US)  
(72) Inventor: **George K Dix**, Pontotoc, MS (US)  
(73) Assignee: **Southern Motion, Inc.**, Pontotoc, MS (US)  
(\*\*) Term: **15 Years**  
(21) Appl. No.: **29/602,512**  
(22) Filed: **May 1, 2017**  
(51) **LOC (11) Cl.** ..... **06-01**  
(52) **U.S. Cl.**  
USPC ..... **D6/367; D6/371**  
(58) **Field of Classification Search**  
USPC ..... D6/334-336, 364, 367, 371, 373, 374, D6/381, 716, 716.1, 716.4  
CPC ..... A47C 1/02; A47C 1/023; A47C 4/025; A47C 4/028; A47C 7/50  
See application file for complete search history.

D509,074 S \* 9/2005 Westendorf ..... D6/334  
D509,080 S \* 9/2005 Lowman ..... D6/367  
D541,064 S \* 4/2007 Miller ..... D6/367  
D551,869 S \* 10/2007 Zambelli ..... D6/367  
D569,111 S \* 5/2008 Swanson ..... D6/334  
8,152,232 B2 \* 4/2012 Colboch ..... A47C 1/034  
297/463.1  
D760,504 S \* 7/2016 Dix ..... D6/334  
D769,639 S \* 10/2016 George, II ..... D6/371  
D787,841 S \* 5/2017 Dix ..... D6/334  
D790,245 S \* 6/2017 George, II ..... D6/371  
D793,100 S \* 8/2017 Dix ..... D6/334  
D803,588 S \* 11/2017 Dix ..... D6/334  
D806,427 S \* 1/2018 George, II ..... D6/371

\* cited by examiner

*Primary Examiner* — Mimosa De  
(74) *Attorney, Agent, or Firm* — Thomas G. Peterson;  
Maynard, Cooper & Gale, PC

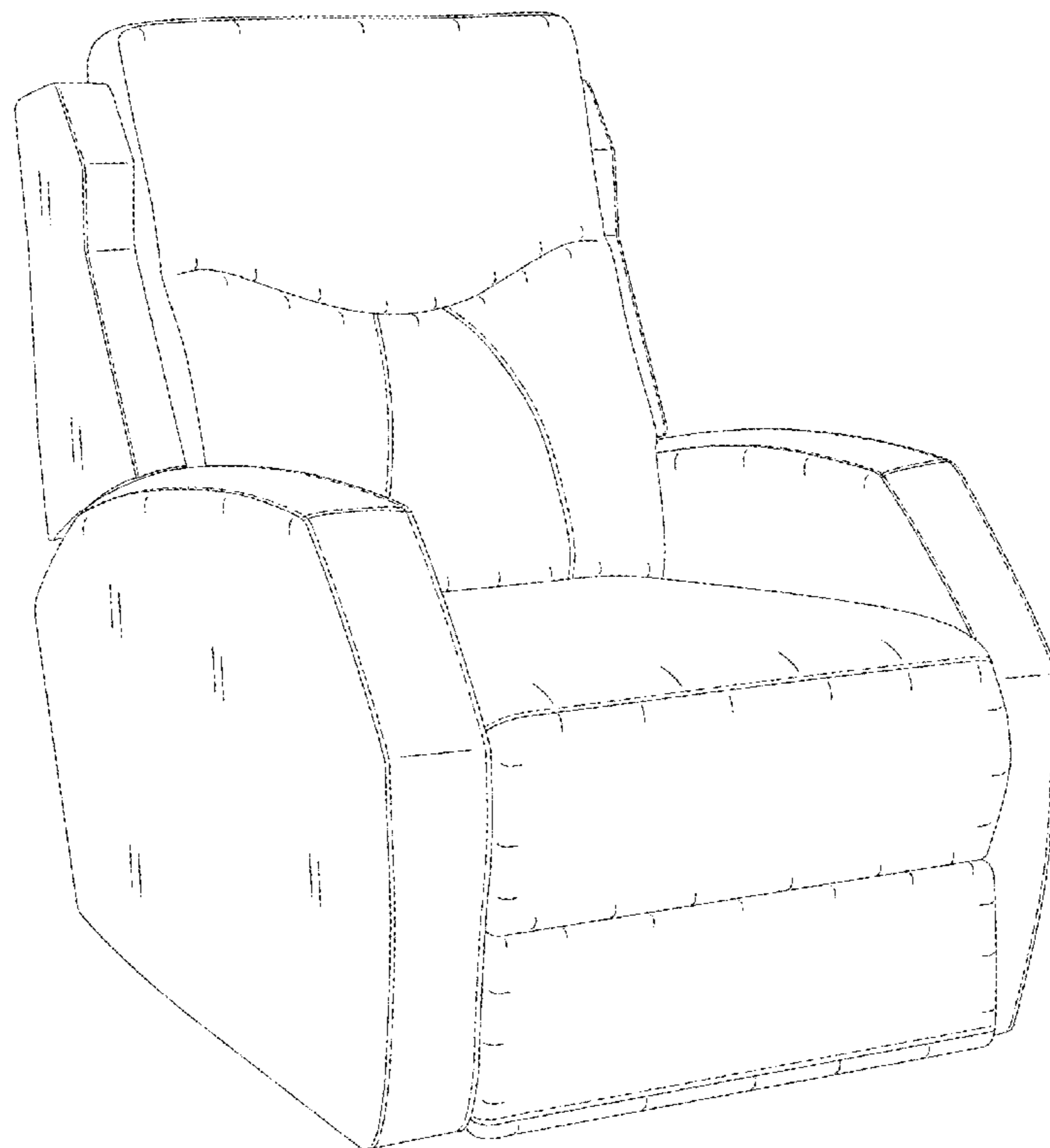
(57) **CLAIM**  
The ornamental design for a seat, as shown and described.

**DESCRIPTION**

FIG. 1 shows a perspective view of the seat in accordance with the new design.  
FIG. 2 shows a front elevation view of the seat.  
FIG. 3 shows a rear view of the seat.  
FIG. 4 shows a top view of the seat; and,  
FIG. 5 shows a side view of the seat.  
The dashed lines shown in the drawings illustrate environmental structure and form no part of the claimed design.

**1 Claim, 5 Drawing Sheets**

(56) **References Cited**  
U.S. PATENT DOCUMENTS  
D325,476 S \* 4/1992 Wilson, Jr. .... D6/334  
D334,673 S \* 4/1993 Robison ..... D6/367  
D335,967 S \* 6/1993 Robison ..... D6/367  
D351,509 S \* 10/1994 Goldberg ..... D6/334  
D368,377 S \* 4/1996 Laslo ..... D6/334



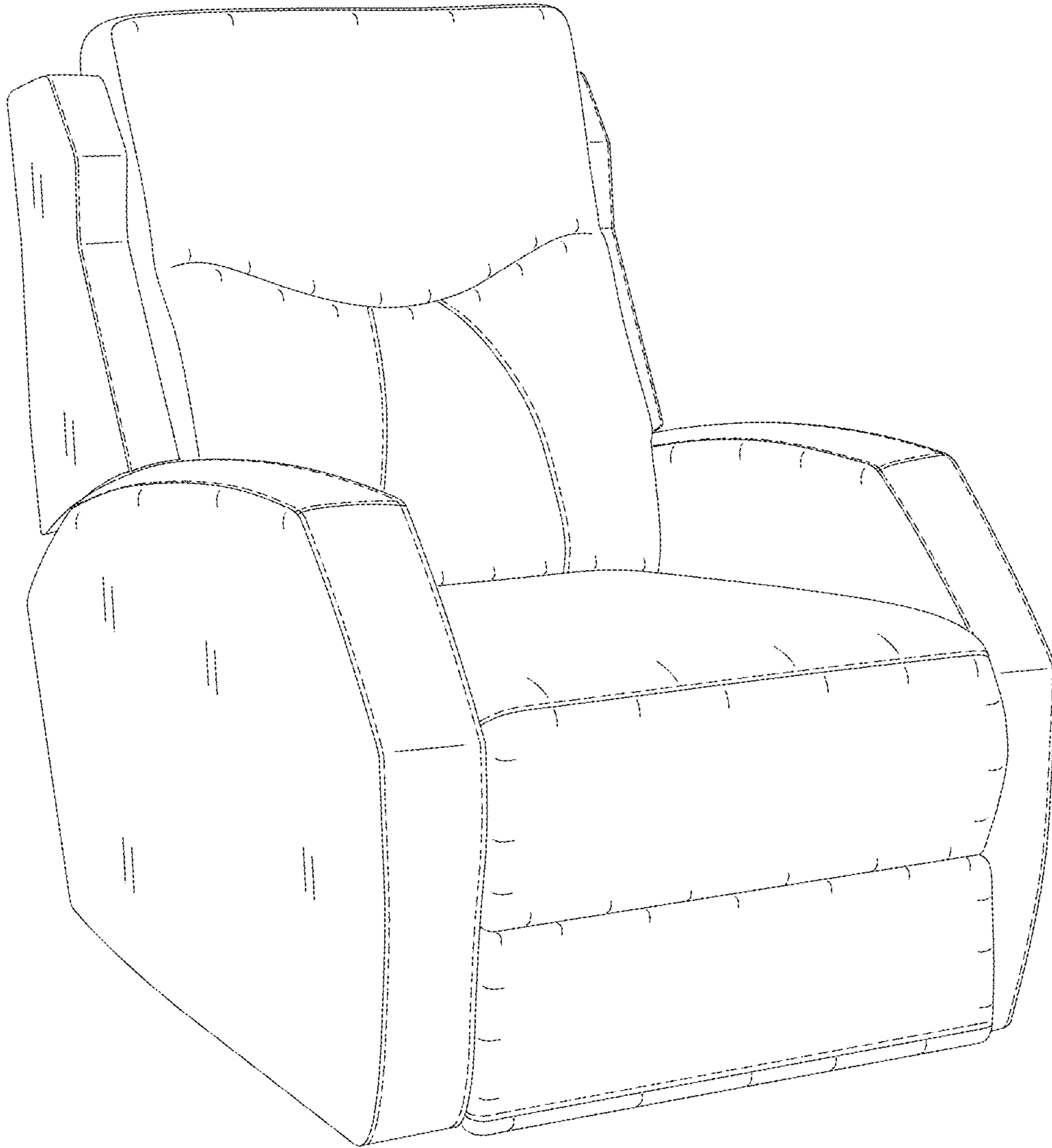


FIG. 1

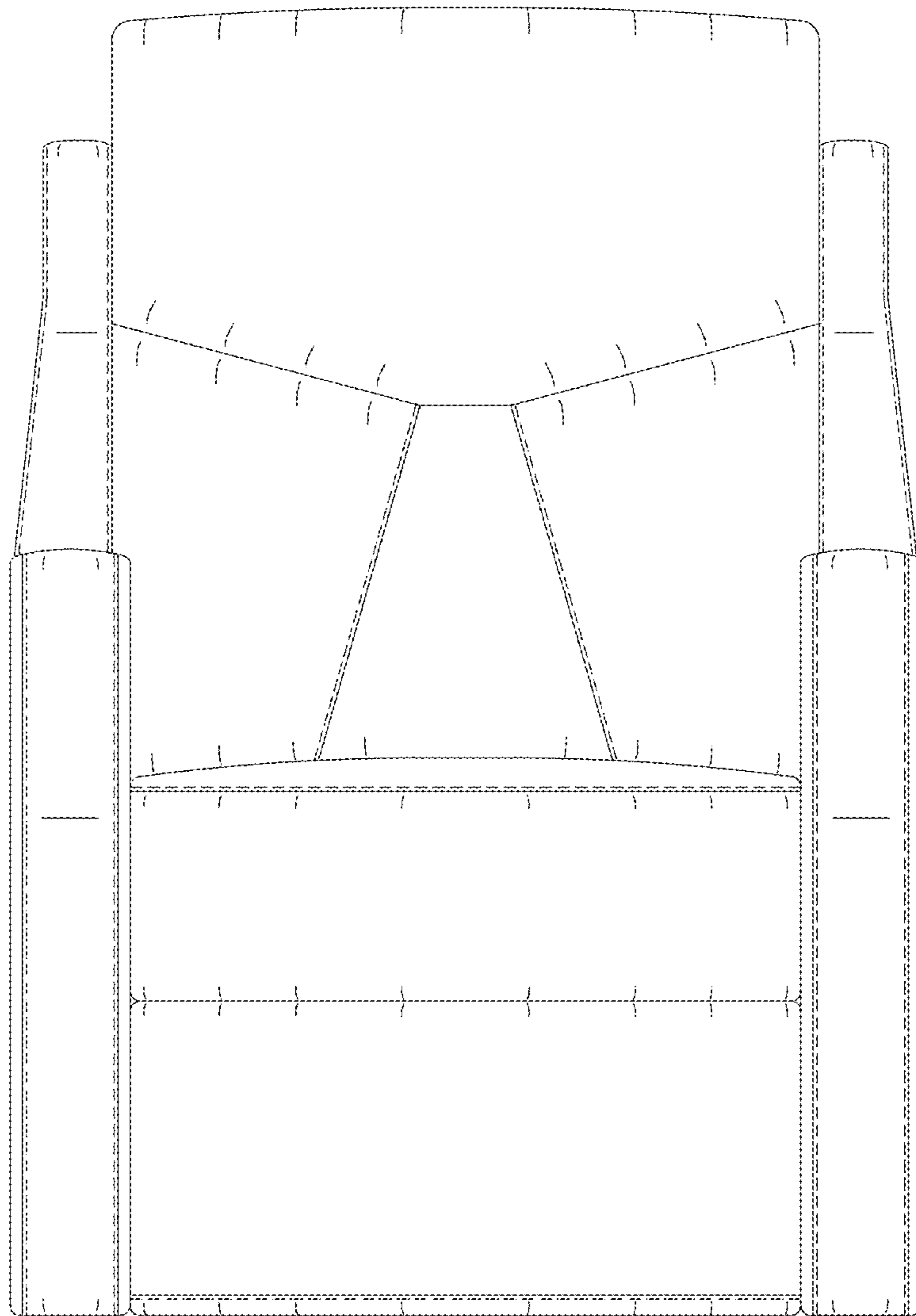


FIG. 2

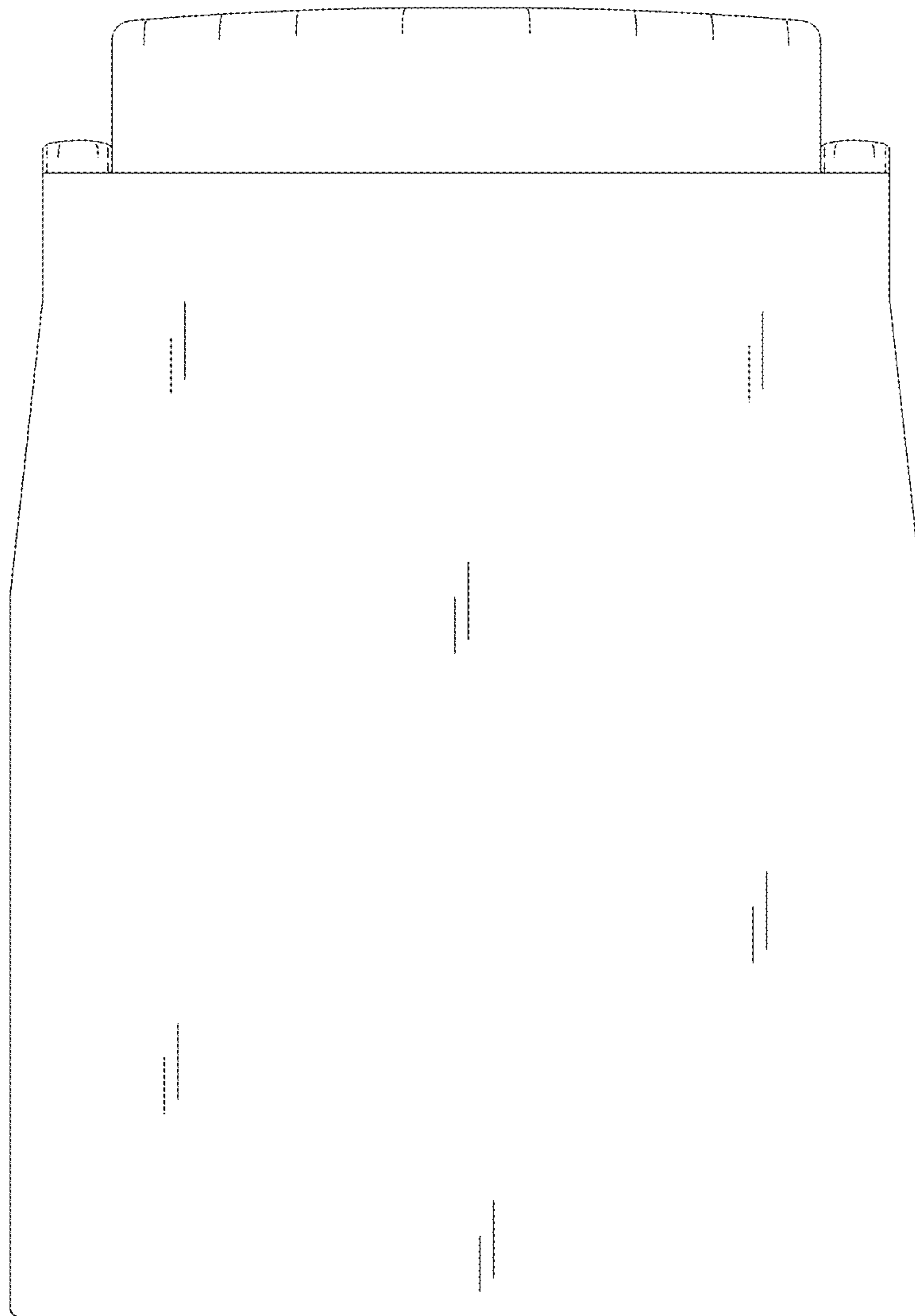


FIG. 3

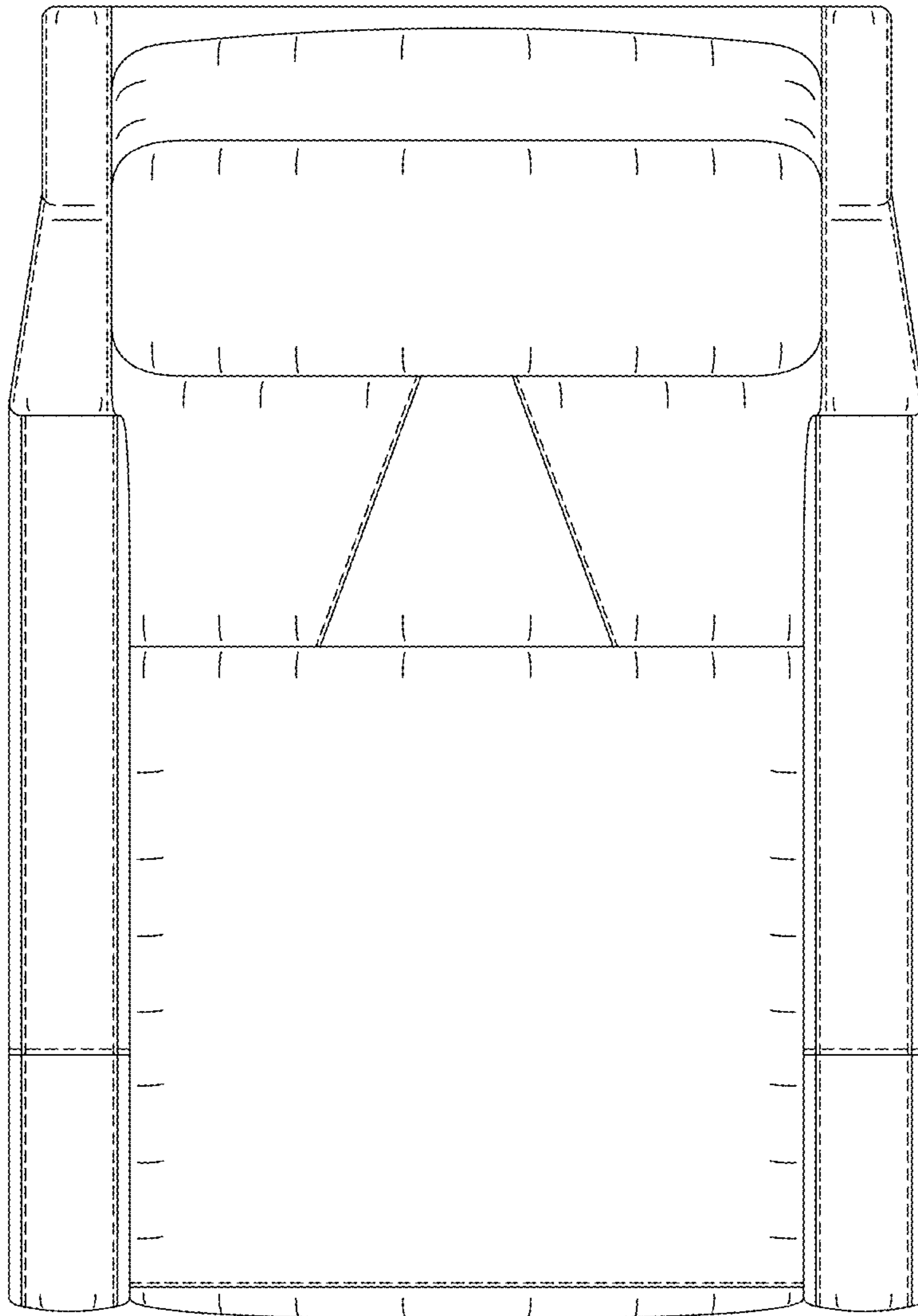


FIG. 4

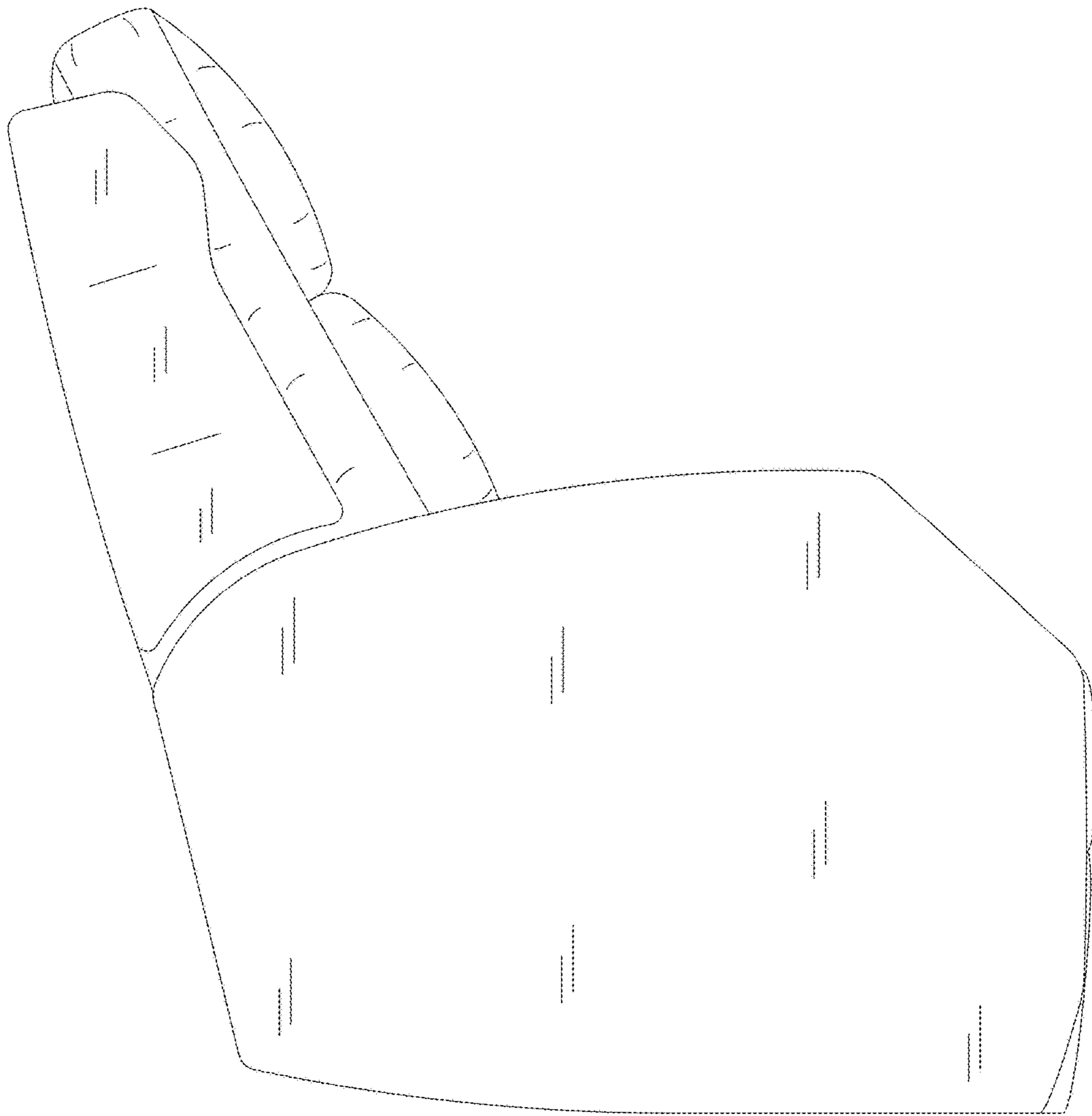


FIG. 5