



US00D824683S

(12) **United States Design Patent** (10) **Patent No.:** **US D824,683 S**
Holmes (45) **Date of Patent:** **** Aug. 7, 2018**

(54) **ADJUSTABLE REACH ASSIST FOOT PLATFORM**

(71) Applicant: **Reginald Holmes**, Buffalo, NY (US)

(72) Inventor: **Reginald Holmes**, Buffalo, NY (US)

(**) Term: **15 Years**

(21) Appl. No.: **29/594,273**

(22) Filed: **Feb. 16, 2017**

(51) **LOC (11) Cl.** **06-01**

(52) **U.S. Cl.**

USPC **D6/353**; D3/200

(58) **Field of Classification Search**

USPC D6/334, 336, 349-353, 360, 364, 365, D6/367, 371-373, 374, 403-405, 601, D6/691-691.9, 692-692.6, 716; D3/200
CPC A47B 7/00; A47B 7/02; A47B 9/00; A47B 13/02; A47B 23/00; A47B 39/00; A47C 3/18; A47C 3/20; A47C 7/002; A47C 7/18; A47C 9/002; A47C 9/007; A47C 9/02; A47C 9/025; A47C 9/08; A47C 11/00; A47C 12/00; A47C 13/00; A47C 16/02; A47C 16/04; A47K 17/02; A47K 17/028

See application file for complete search history.

(56) **References Cited**

U.S. PATENT DOCUMENTS

1,362,692 A * 12/1920 Goldstein A47C 16/025 248/600
D58,946 S * 9/1921 Schott D6/349
D61,735 S * 12/1922 Davis D6/350
D176,340 S * 12/1955 Karoff D3/200
D181,591 S * 12/1957 Lee D3/200
D186,580 S * 11/1959 Blalack D3/200
2,991,495 A * 7/1961 Blalack A47L 23/16 15/265

D327,176 S * 6/1992 Gil D6/330
D350,888 S * 9/1994 Perry D34/31
D455,252 S * 4/2002 Hagens, III D3/200
D596,417 S * 7/2009 Bowen D6/353
7,669,934 B1 * 3/2010 Cline A47C 7/503 297/217.3
8,616,652 B1 * 12/2013 Wells A47C 16/025 297/423.14
D805,795 S * 12/2017 Allen D6/349

OTHER PUBLICATIONS

The Gentleman's Classic Shoe Shine Kit. [online] Published on Oct. 3, 2014. Retrieved Feb. 9, 2018 from URL: <https://www.ham-macher.com/Product/86625?promo=search>.*

World's Greatest Folk Art Mechanical Shoe Shine Box Station. [online] Published on Sep. 9, 2016. Retrieved Feb. 9, 2018 from URL: https://www.1stdibs.com/furniture/folk-art/primitives/worlds-greatest-folk-art-mechanical-shoe-shine-box-station-circa-1930/id-f_2103452/.*

* cited by examiner

Primary Examiner — Vy N Koenig

(57) **CLAIM**

The ornamental design for an adjustable reach assist foot platform, as shown and described.

DESCRIPTION

FIG. 1 is a front perspective view of an adjustable reach assist foot platform of the present invention;

FIG. 2 is a front view thereof;

FIG. 3 is a back view thereof;

FIG. 4 is a first side view thereof;

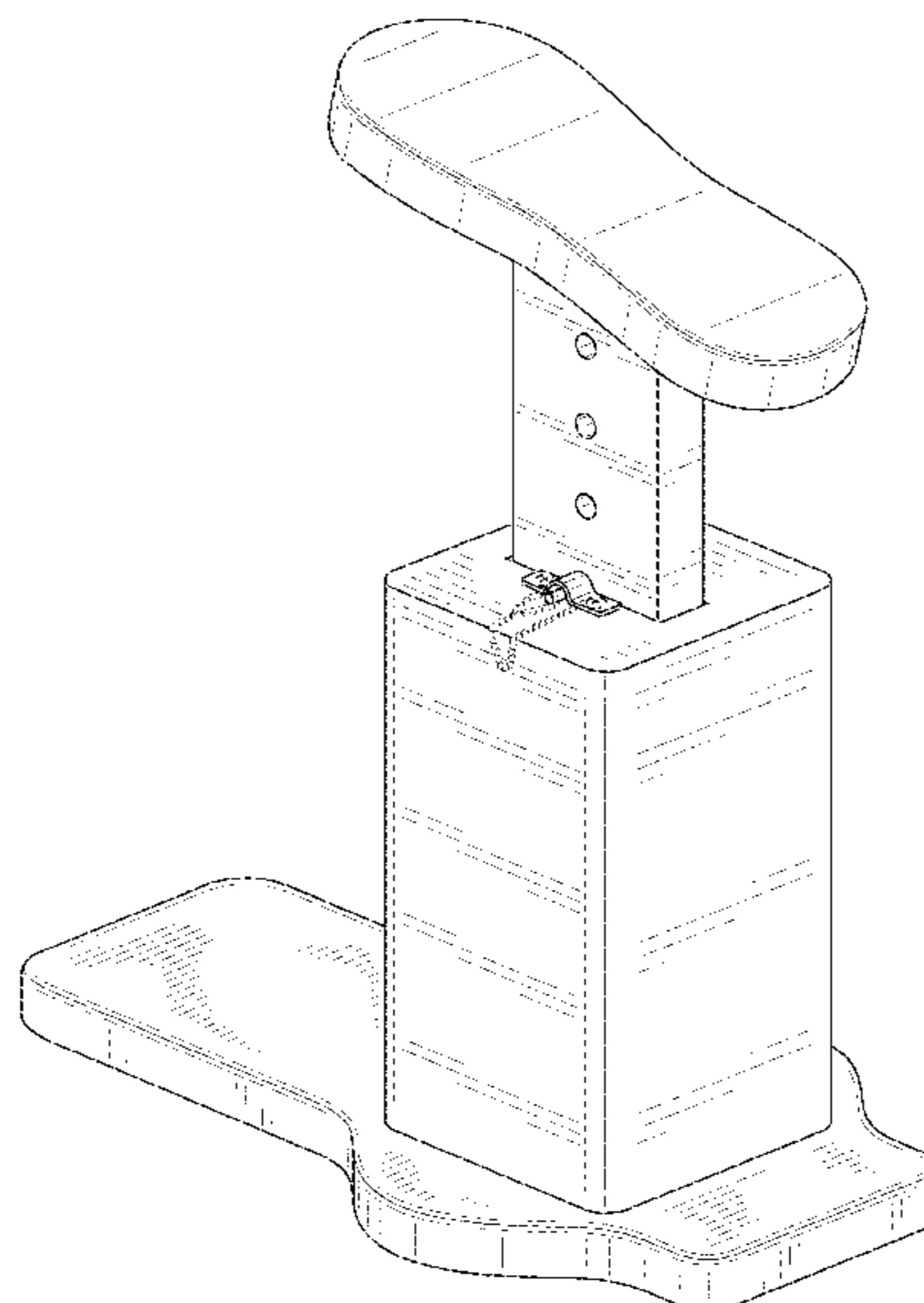
FIG. 5 is a second side view thereof;

FIG. 6 is a top view thereof; and,

FIG. 7 is a bottom view thereof.

The broken lines in FIGS. 1-7 depict environmental subject matter and form no part of the claimed design.

1 Claim, 7 Drawing Sheets



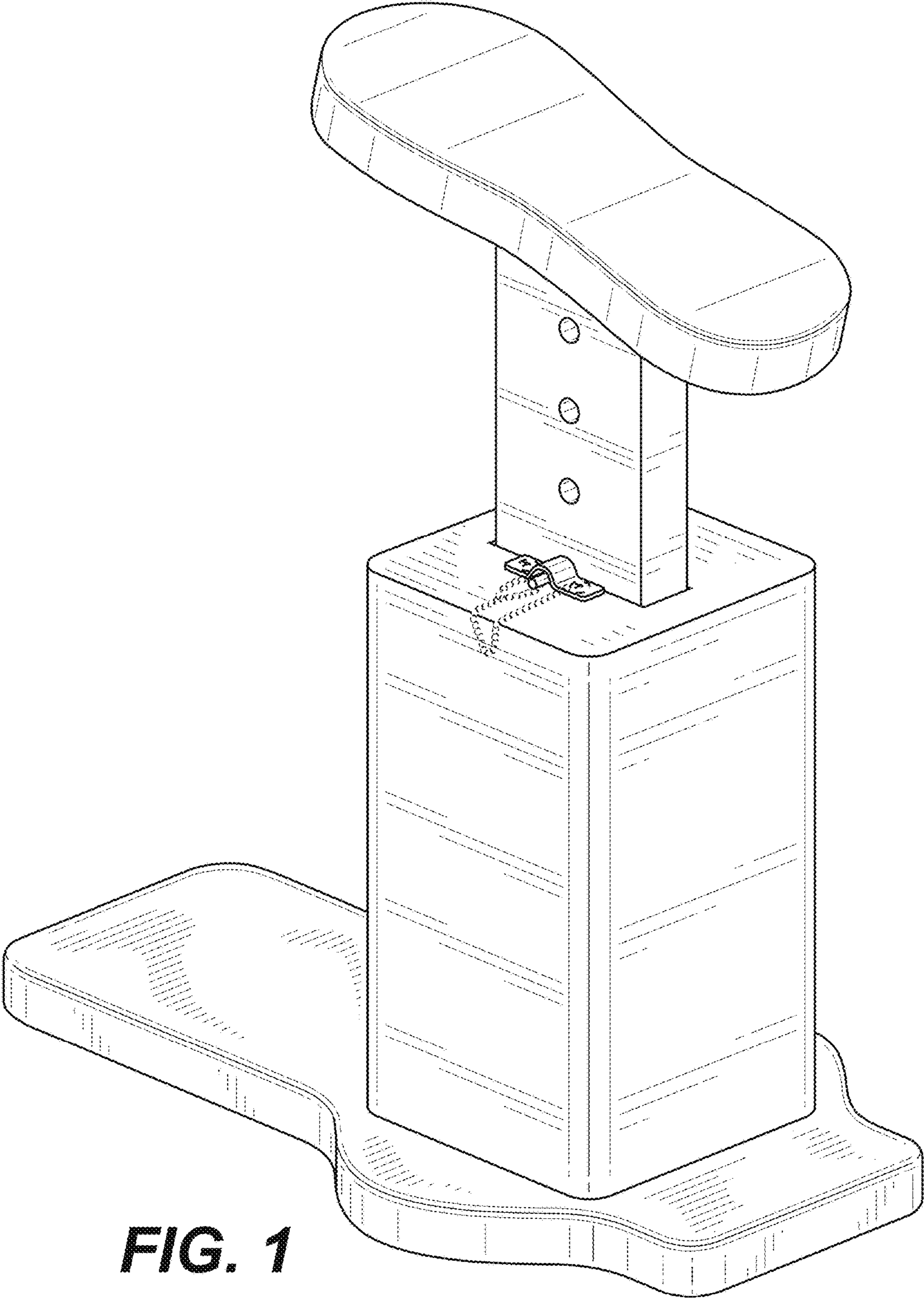


FIG. 1

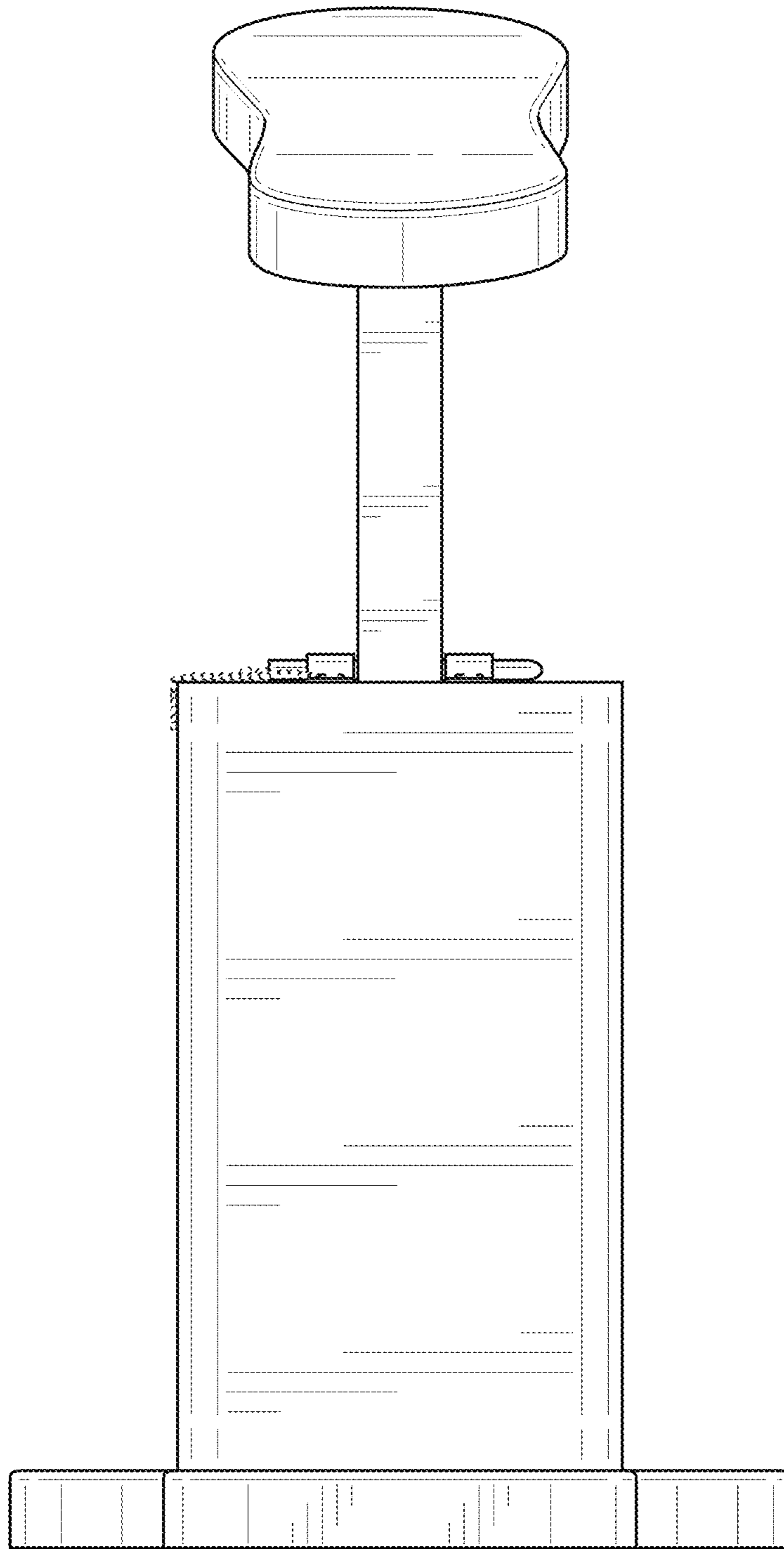


FIG. 2

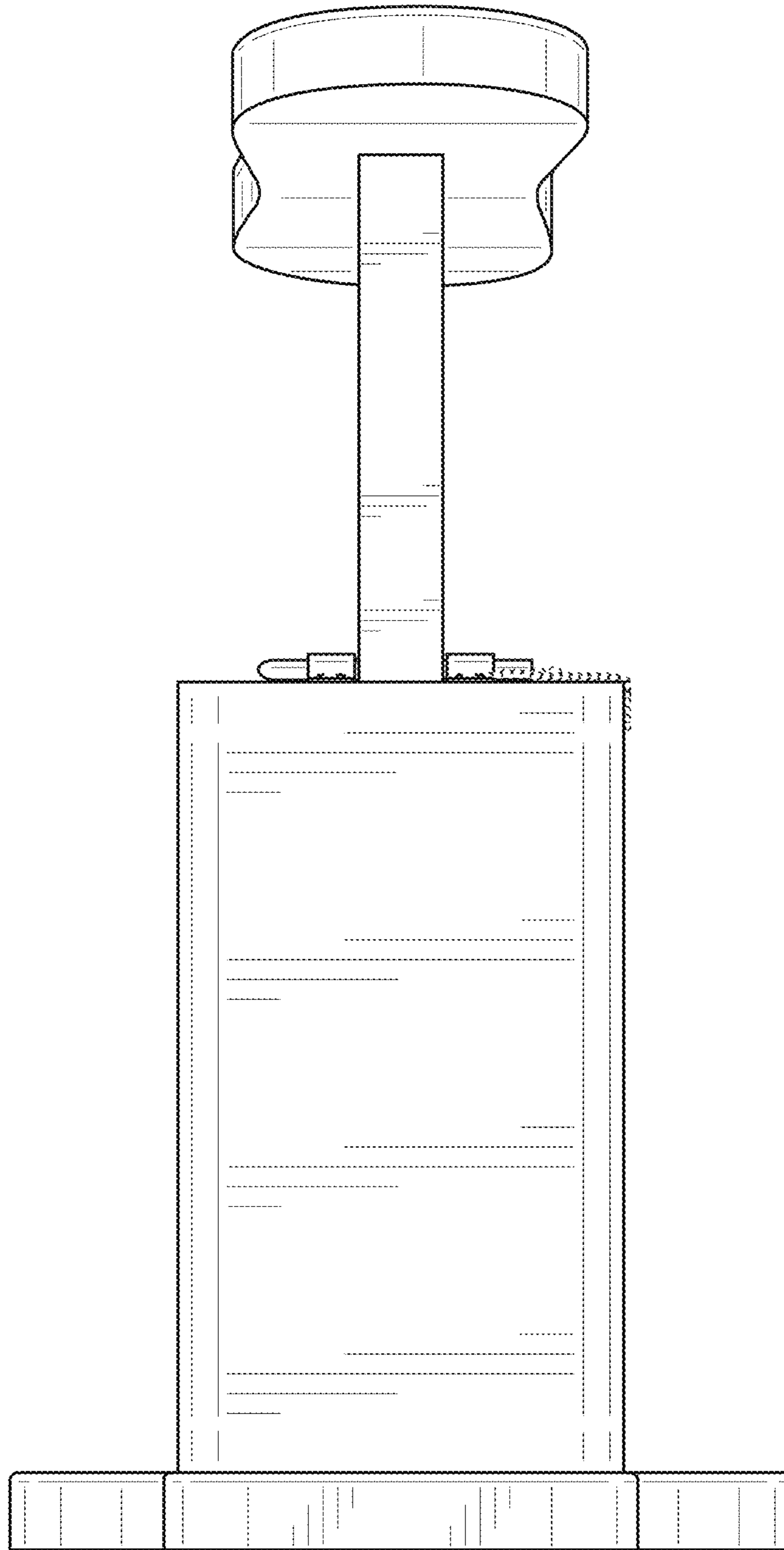


FIG. 3

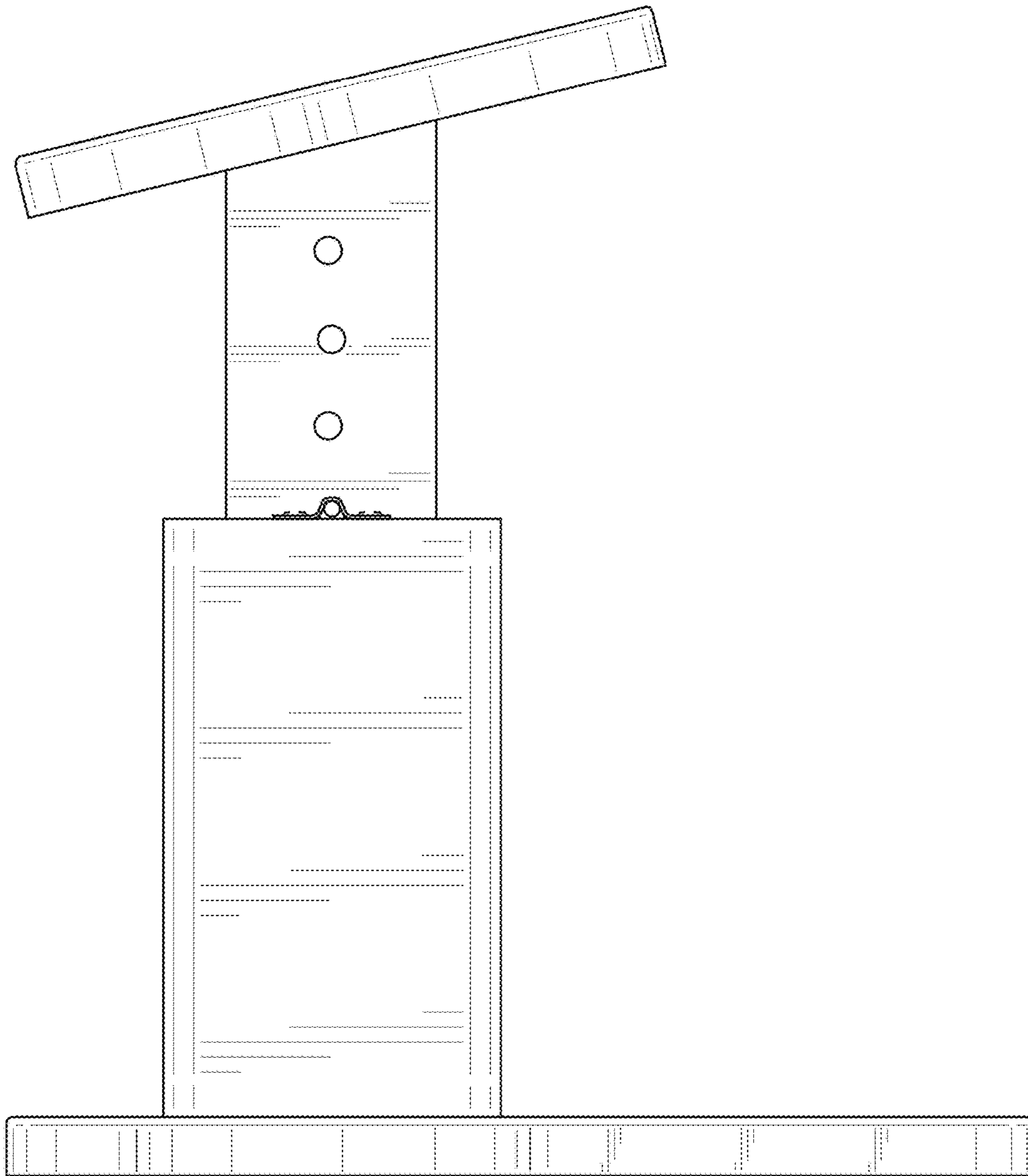


FIG. 4

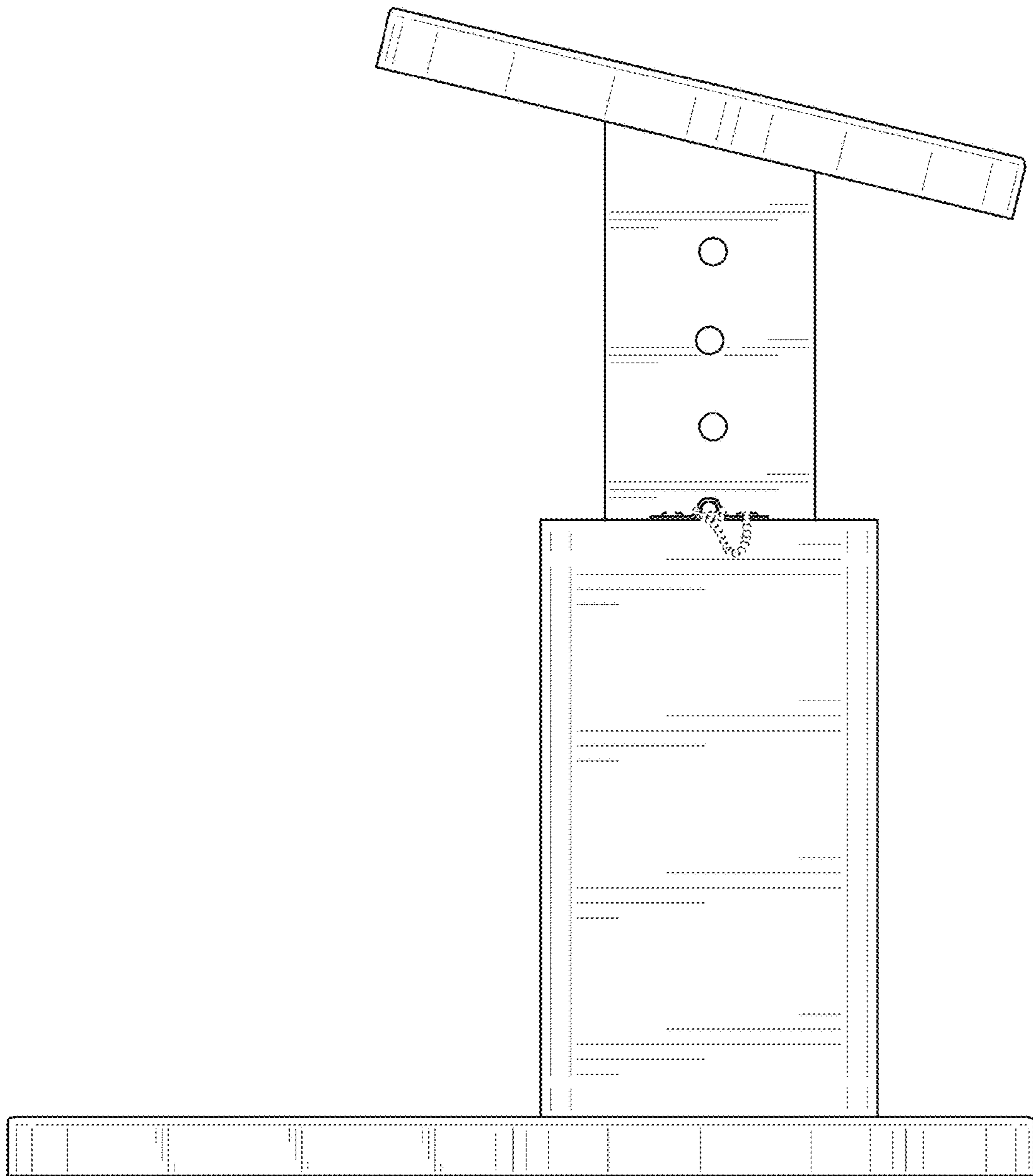


FIG. 5

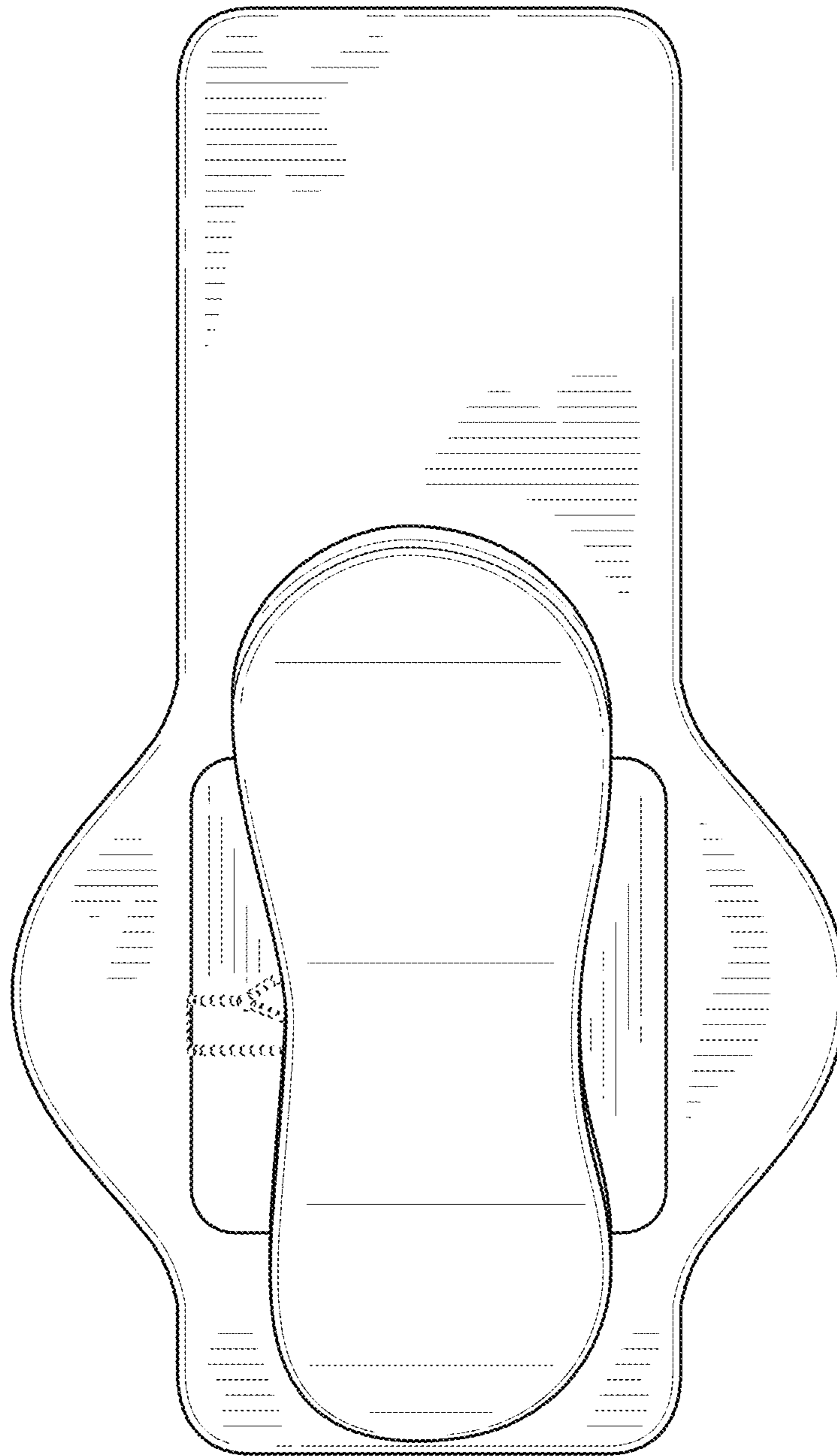


FIG. 6

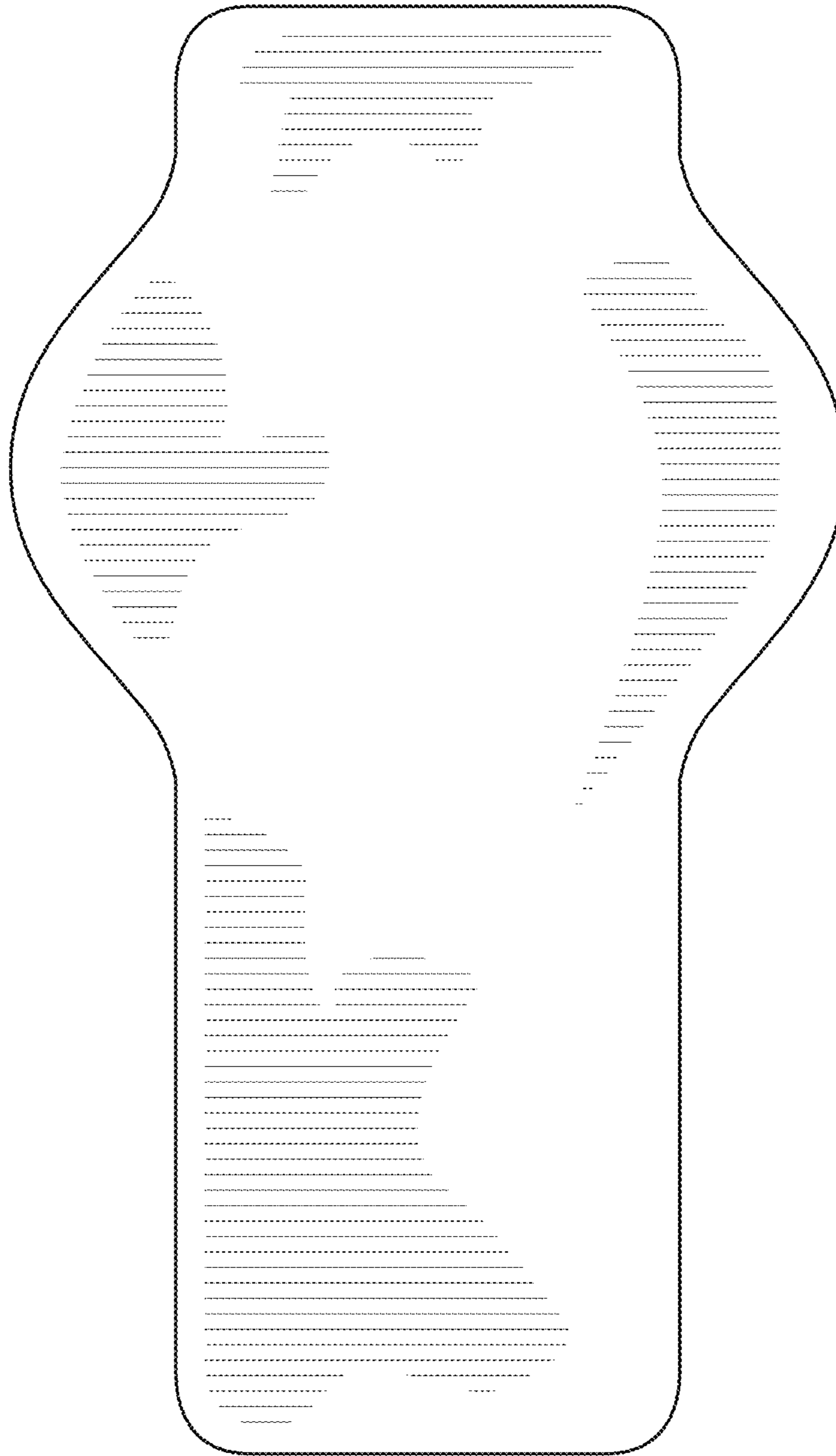


FIG. 7