



US00D824682S

(12) **United States Design Patent** (10) **Patent No.:** **US D824,682 S**  
**Zanayed** (45) **Date of Patent:** **\*\* Aug. 7, 2018**

(54) **CHAIR WITH INFLATABLE SEAT**

(71) Applicant: **Anthony Zanayed**, Palos Hills, IL (US)

(72) Inventor: **Anthony Zanayed**, Palos Hills, IL (US)

(\*\*) Term: **15 Years**

(21) Appl. No.: **29/599,695**

(22) Filed: **Apr. 5, 2017**

(51) **LOC (11) Cl.** ..... **06-01**

(52) **U.S. Cl.**  
USPC ..... **D6/352; D6/360**

(58) **Field of Classification Search**  
USPC ..... D6/334, 336, 349–353, 360, 364–367,  
D6/371–373, 374, 403–405, 601,  
D6/691–691.9, 692–692.6, 716–716.3  
CPC .... A47B 7/00; A47B 7/02; A47B 9/00; A47B  
13/02; A47B 23/00; A47B 39/00; A47C  
3/18; A47C 3/20; A47C 7/002; A47C  
7/18; A47C 9/002; A47C 9/007; A47C  
9/02; A47C 9/025; A47C 9/08; A47C  
11/00; A47C 12/00; A47C 13/00; A47C  
16/02; A47C 16/04

See application file for complete search history.

(56) **References Cited**

**U.S. PATENT DOCUMENTS**

D123,106 S *	10/1940	Cramer et al.	.....	D6/367
4,226,398 A *	10/1980	Freber	.....	A47C 3/18 108/139
4,479,627 A *	10/1984	Wehner	.....	A47C 3/245 248/406.2
D493,968 S *	8/2004	Barbieri	.....	D6/349
D541,086 S *	4/2007	McNamee	.....	D6/716
D576,414 S *	9/2008	Chen	.....	D6/360
D579,676 S *	11/2008	Rheault	.....	D6/349
9,713,383 B2 *	7/2017	Hsu	.....	A47C 7/002
D800,465 S *	10/2017	Ono	.....	D6/360
D800,466 S *	10/2017	Ono	.....	D6/360
2008/0001462 A1 *	1/2008	Holland	.....	A47B 13/023 297/440.1
2014/0265495 A1 *	9/2014	Bay	.....	A47C 7/402 297/311

**OTHER PUBLICATIONS**

Stools Vinyl Upholstered Scooter Stool with Footrest. [online] Published on Feb. 6, 2016. Retrieved Feb. 15, 2018 from URL: <https://www.globalindustrial.com/p/office/stools/vinyl/vinyl-upholstered-scooter-stool-without-back-manual-height-adjustment-black>.\*

Econo Hydraulic Stool. [online] Published on Mar. 16, 2015. Retrieved Feb. 15, 2018 from URL: [http://www.spaandequipment.com/Econo-Hydraulic-Stool-p-16550.html?gclid=Cj0KCQiA\\_JTUBRD4ARIsAL7\\_VeVweGfmNdxMkwJpy2J2PdC1PQ\\_UsUsarZD6qcl3TnAtLbEkUCRDT4waAh73EALw\\_wcB](http://www.spaandequipment.com/Econo-Hydraulic-Stool-p-16550.html?gclid=Cj0KCQiA_JTUBRD4ARIsAL7_VeVweGfmNdxMkwJpy2J2PdC1PQ_UsUsarZD6qcl3TnAtLbEkUCRDT4waAh73EALw_wcB).\*

\* cited by examiner

*Primary Examiner* — Vy N Koenig  
(74) *Attorney, Agent, or Firm* — Alex Shtraym

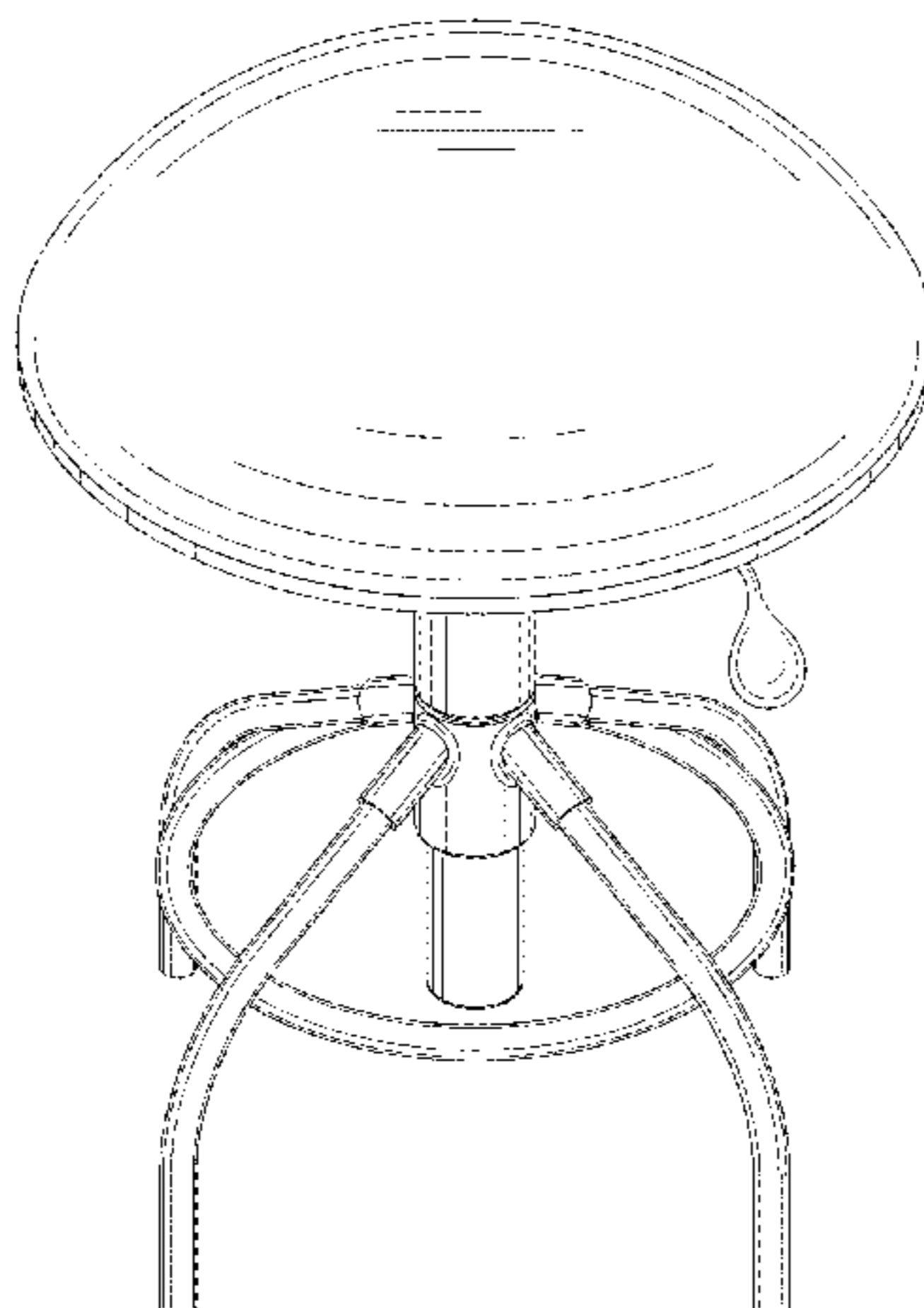
(57) **CLAIM**

The ornamental design for a chair with inflatable seat, as shown and described.

**DESCRIPTION**

FIG. 1 is a top perspective view of a chair with inflatable seat showing my new design;  
FIG. 2 is a bottom perspective view of the chair of FIG. 1;  
FIG. 3 is an elevation view of a first side of the chair of FIG. 1;  
FIG. 4 is an elevation view of a second side of the chair of FIG. 1;  
FIG. 5 is an elevation view of a third side of the chair of FIG. 1;  
FIG. 6 is an elevation view of a fourth side of the chair of FIG. 1;  
FIG. 7 is a top plan view of the chair of FIG. 1; and,  
FIG. 8 is a bottom view of the chair of FIG. 1.

**1 Claim, 8 Drawing Sheets**



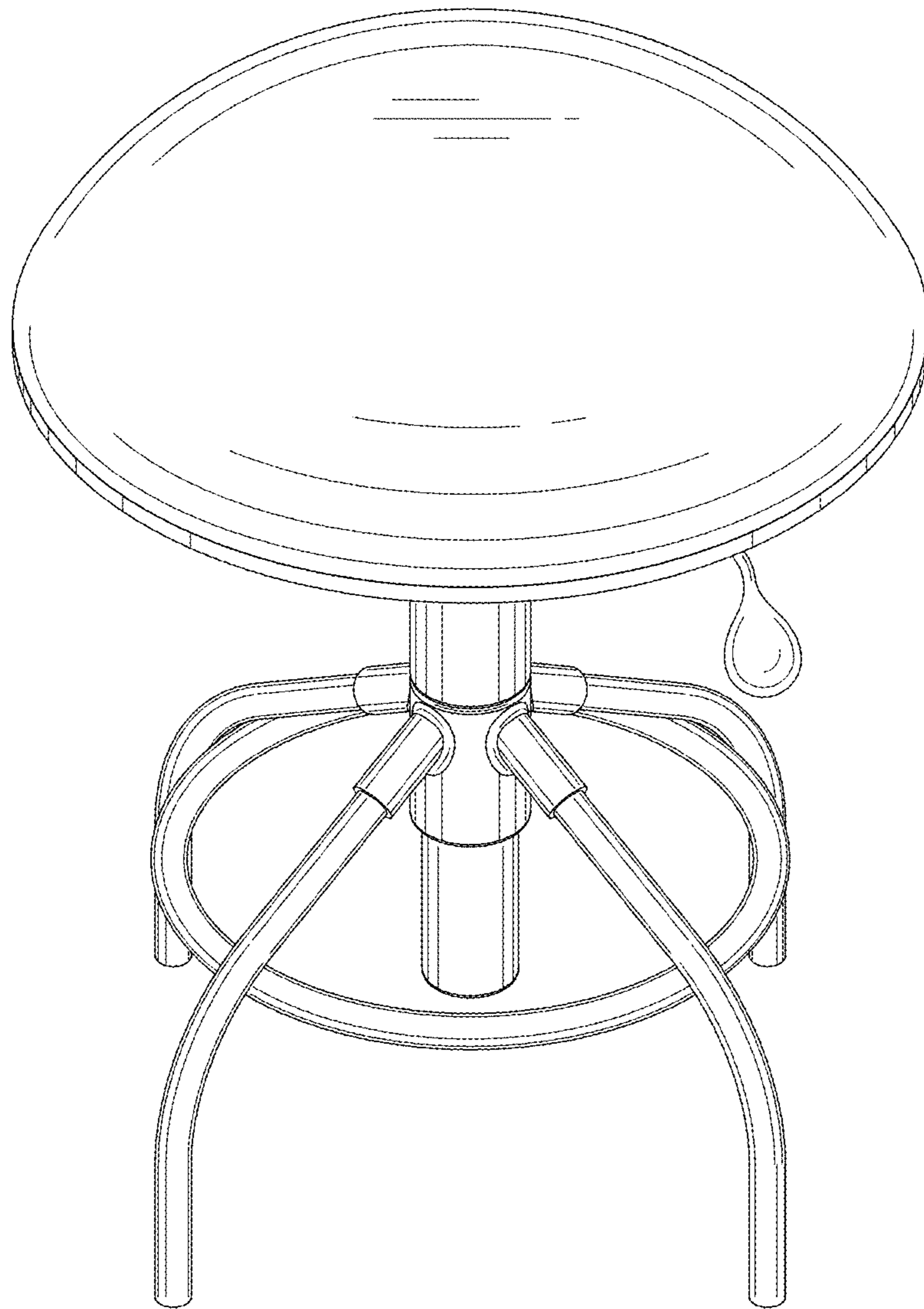


FIG. 1

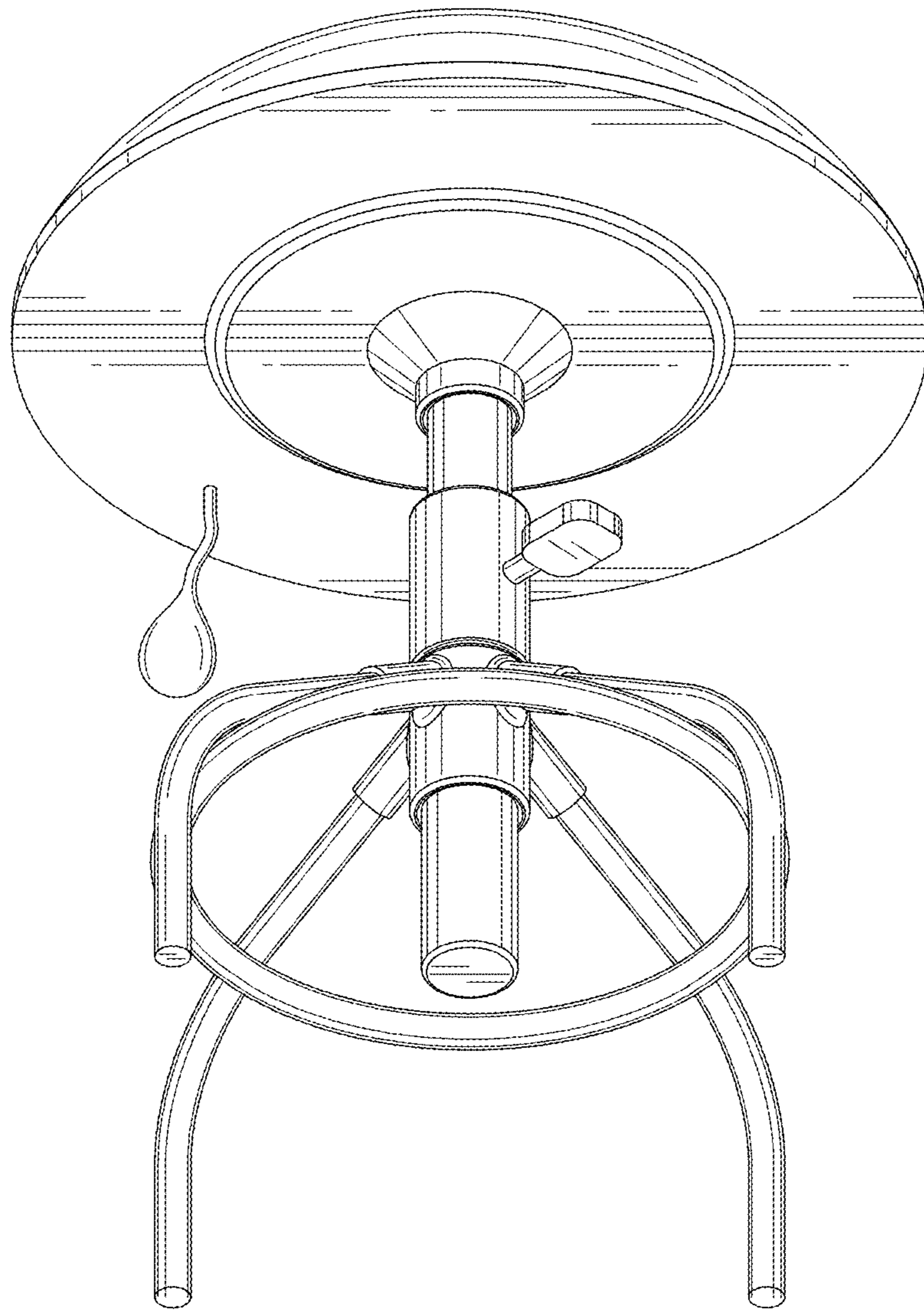


FIG. 2

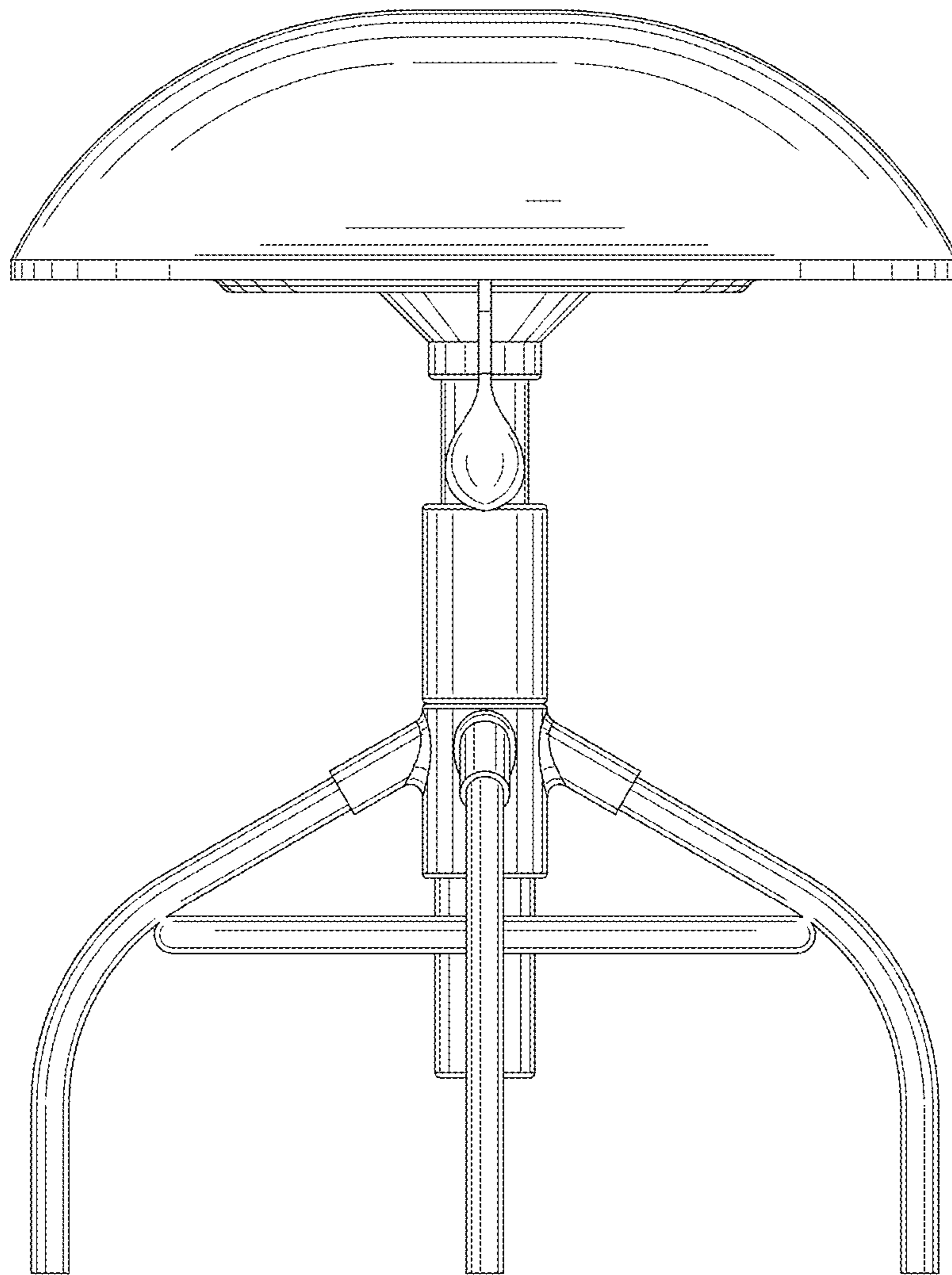


FIG. 3

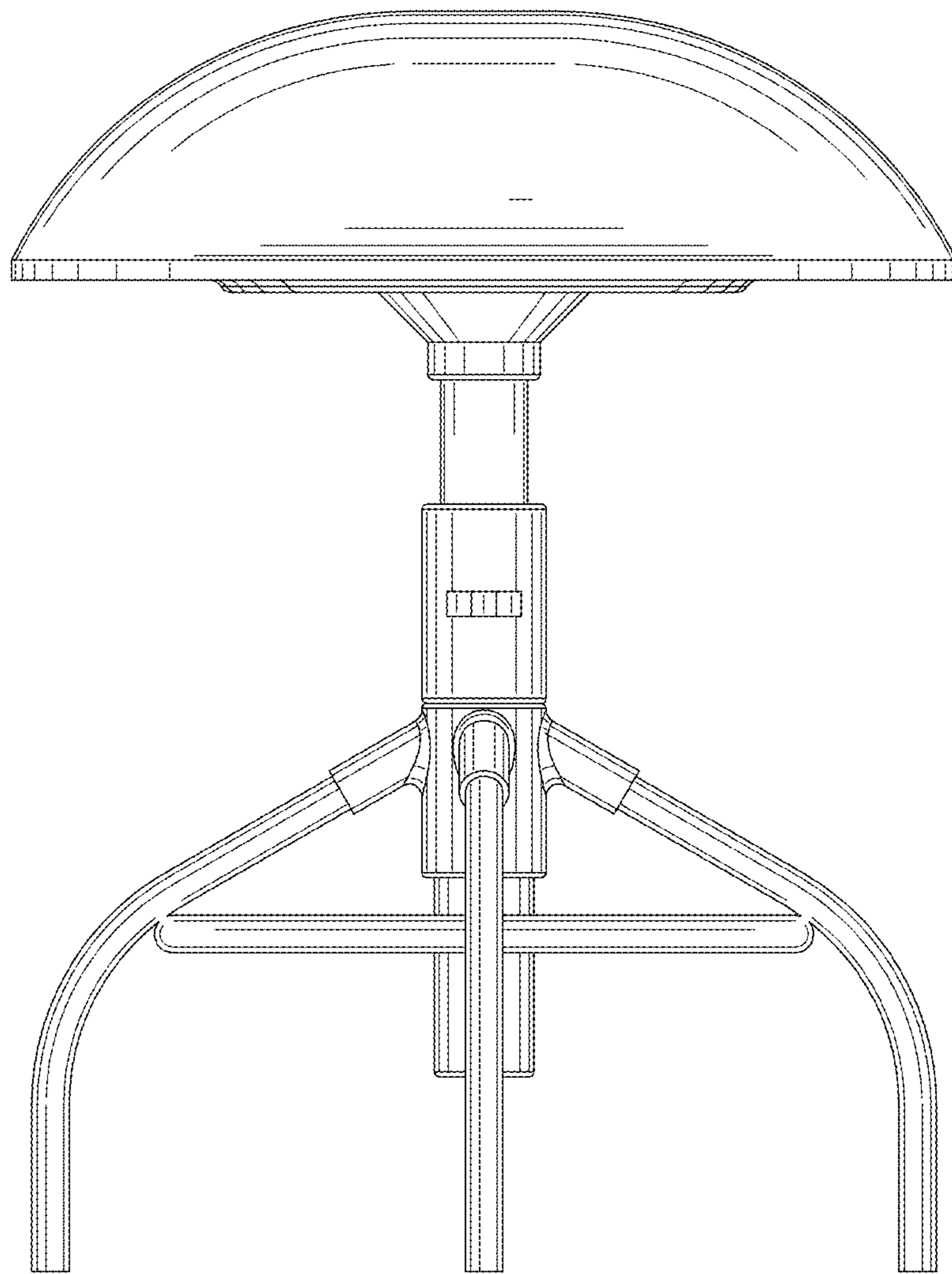


FIG. 4

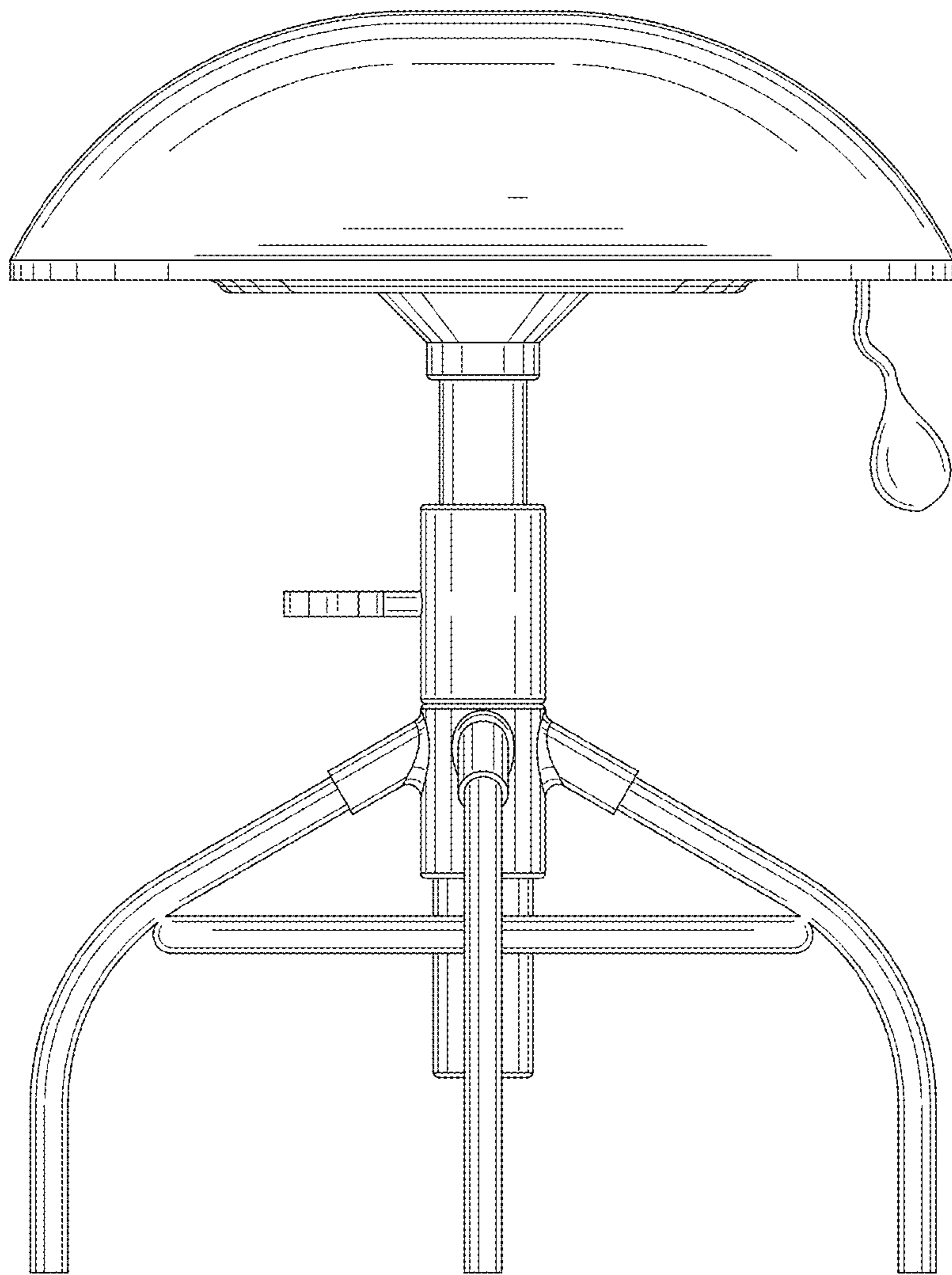


FIG. 5

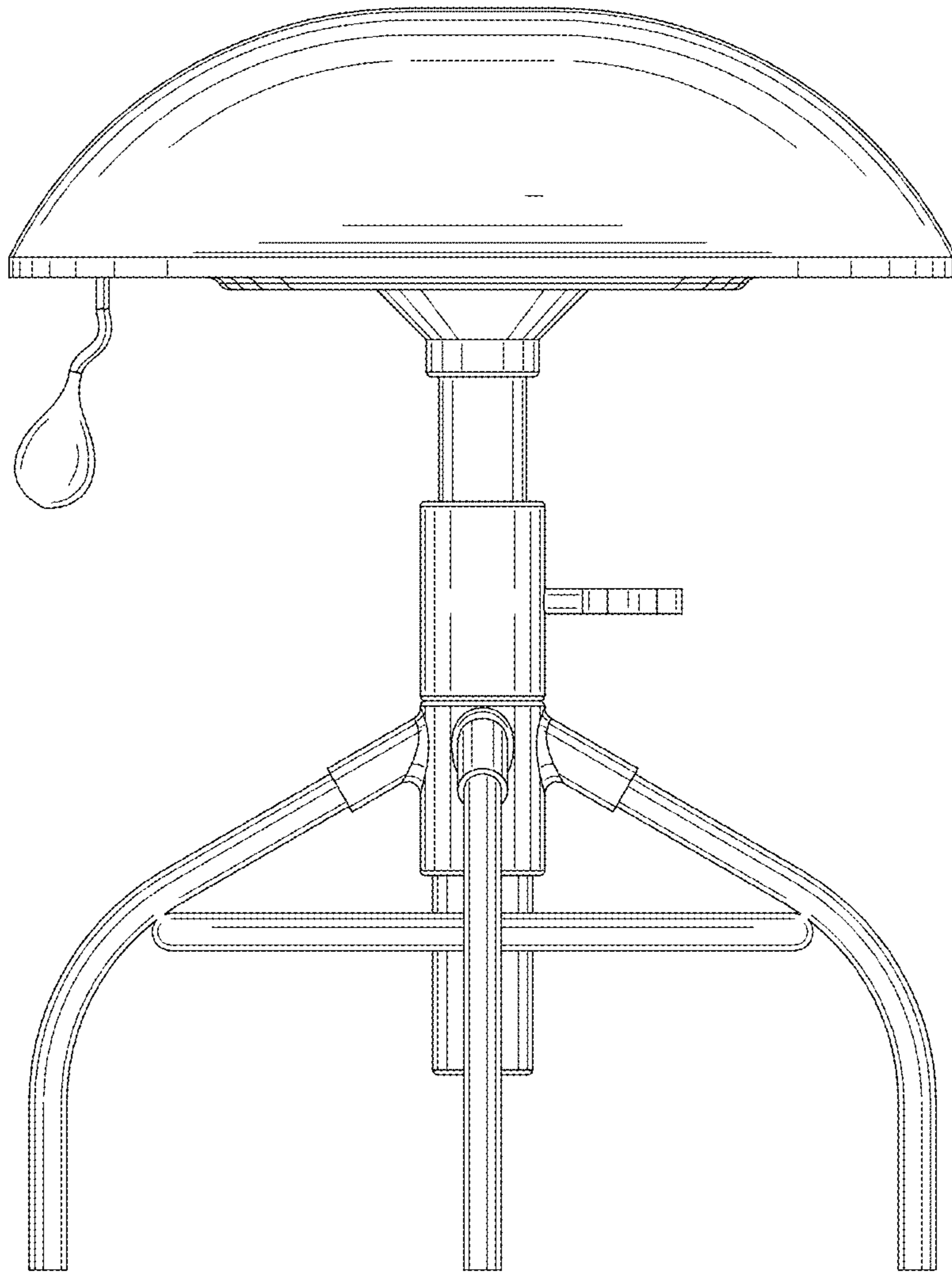


FIG. 6

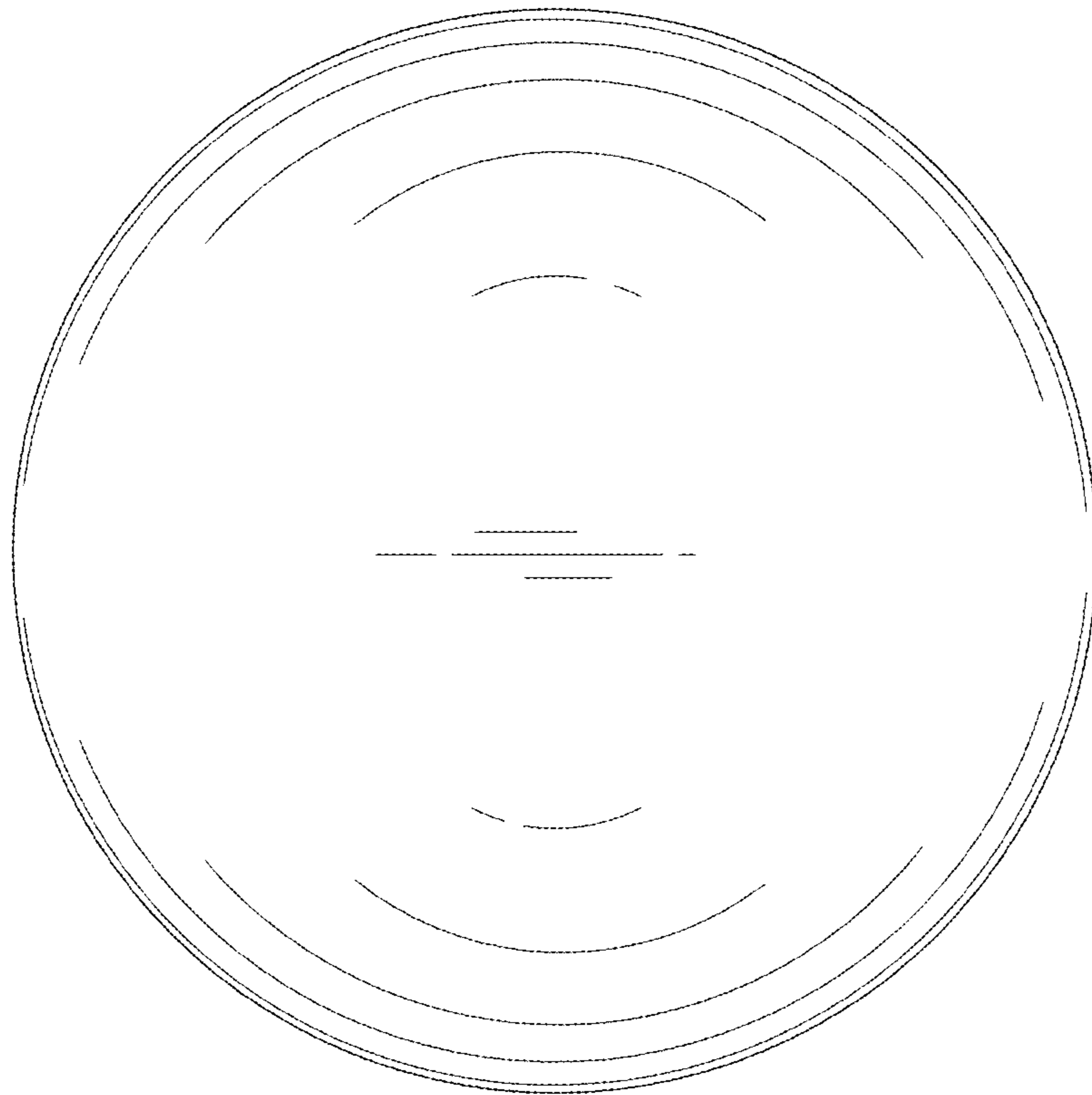


FIG. 7



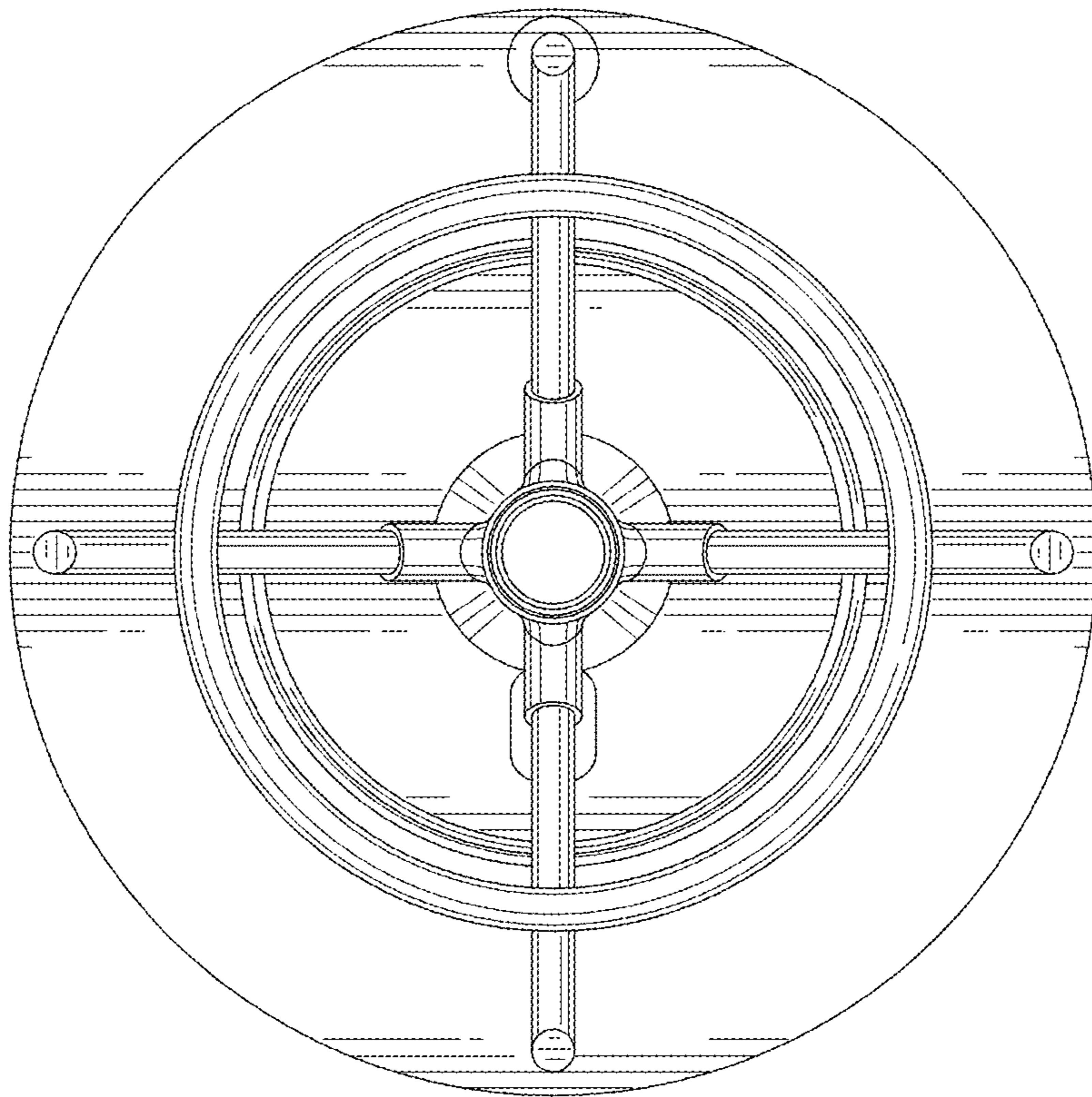


FIG. 8