



US00D824681S

(12) **United States Design Patent**
Vaughn

(10) **Patent No.:** **US D824,681 S**

(45) **Date of Patent:** **** Aug. 7, 2018**

(54) **MIRROR WITH MULTI HEIGHT AND ANGLE TRIPOD STAND**

(71) Applicant: **Tilfnique Vaughn**, Glendale, AZ (US)

(72) Inventor: **Tilfnique Vaughn**, Glendale, AZ (US)

(**) Term: **15 Years**

(21) Appl. No.: **29/590,149**

(22) Filed: **Jan. 7, 2017**

(51) **LOC (11) Cl.** **06-07**

(52) **U.S. Cl.**
USPC **D6/309; D6/310**

(58) **Field of Classification Search**
USPC **D6/300-314**
CPC ... **A47G 1/00; A47G 1/02; A47G 1/06; A47G 1/0616; A47G 1/14; A47G 1/141; A45D 42/00; A45D 42/08; A45D 42/14; A45D 42/16; A45D 42/10**
See application file for complete search history.

(56) **References Cited**

U.S. PATENT DOCUMENTS

- 404,110 A * 5/1889 Pincus F21V 33/00
248/125.1
- 1,220,069 A * 3/1917 Capdevila A47G 1/16
248/474
- D216,414 S * 12/1969 Hanson D26/56
- D243,301 S * 2/1977 Ravn D6/309
- D254,208 S * 2/1980 Breslow D12/189
- 4,339,104 A * 7/1982 Weidman F16M 11/10
248/407
- D309,833 S * 8/1990 Wahl D6/300
- D316,635 S * 5/1991 Smith D6/309

- 5,359,461 A * 10/1994 Rice A45D 20/12
248/469
- D425,313 S * 5/2000 Zadro D6/309
- 6,099,133 A * 8/2000 Wright A45D 42/12
359/879
- D438,389 S * 3/2001 Ross D6/312
- D444,634 S * 7/2001 Dodson D6/312
- D512,841 S * 12/2005 Dirks D6/300
- 7,165,860 B1 * 1/2007 Metzger A47G 1/24
362/143
- D574,159 S * 8/2008 Howard D6/310
- D649,790 S * 12/2011 Pitot D6/309
- D661,498 S * 6/2012 Wang G09F 7/04
D6/312
- D701,050 S * 3/2014 Yang D6/309
- D713,056 S * 9/2014 Gulick D25/68
- D729,525 S * 5/2015 Tsai D6/300
- D730,065 S * 5/2015 Tsai D6/310
- D738,118 S * 9/2015 Gyanendra D6/300
- D775,309 S * 12/2016 Newman D22/199

* cited by examiner

Primary Examiner — Deanna L Pratt

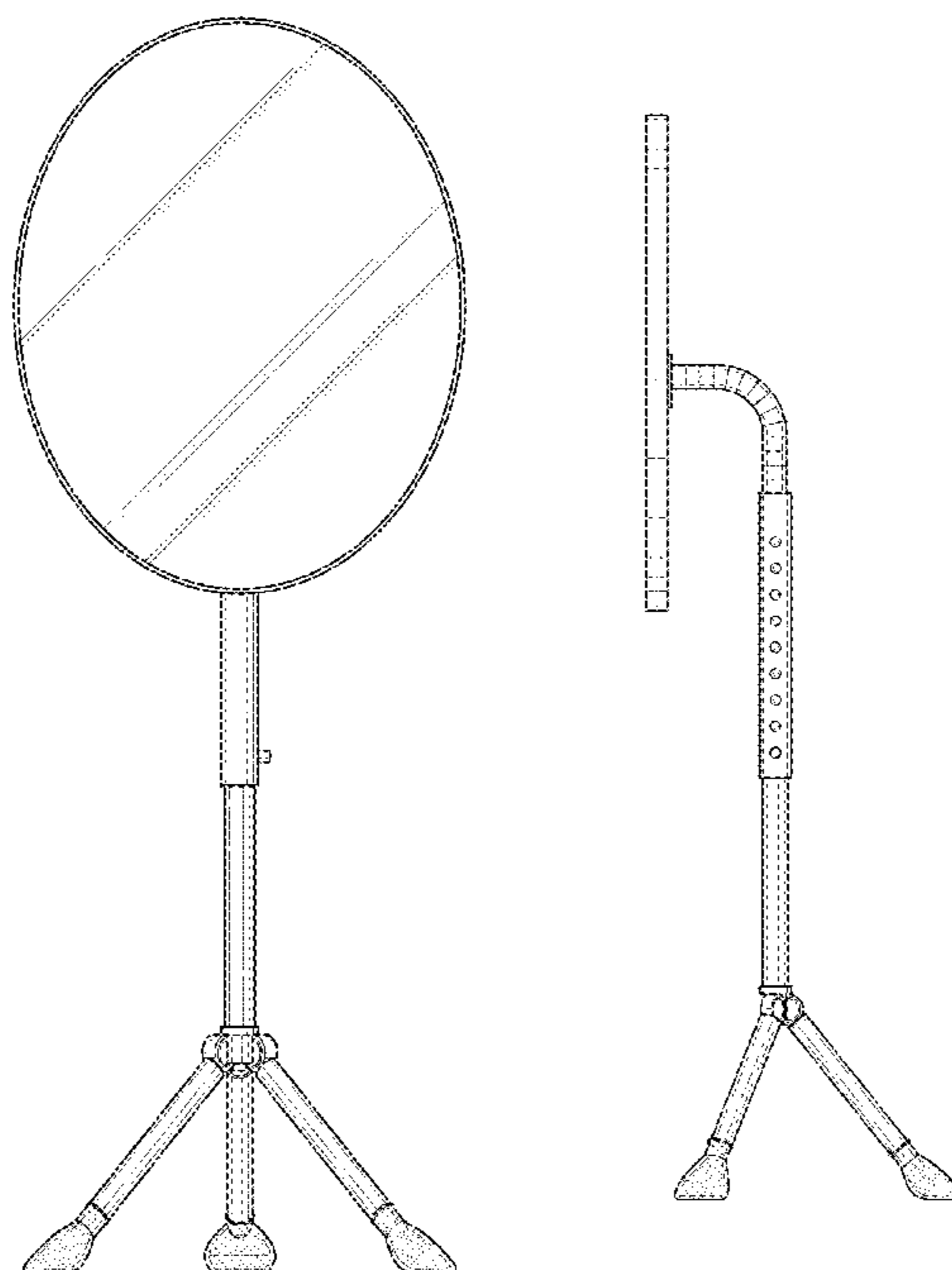
(57) **CLAIM**

The ornamental design for a mirror with multi height and angle tripod stand, as shown and described.

DESCRIPTION

FIG. 1 is a perspective view of the mirror with multi height and angle tripod stand showing my new design; FIG. 2 is a front elevation view thereof; FIG. 3 is a rear elevation view thereof; FIG. 4 is a right elevation view thereof; FIG. 5 is a left elevation view thereof; FIG. 6 is a top plan view thereof; and, FIG. 7 is a bottom plan view thereof.

1 Claim, 5 Drawing Sheets



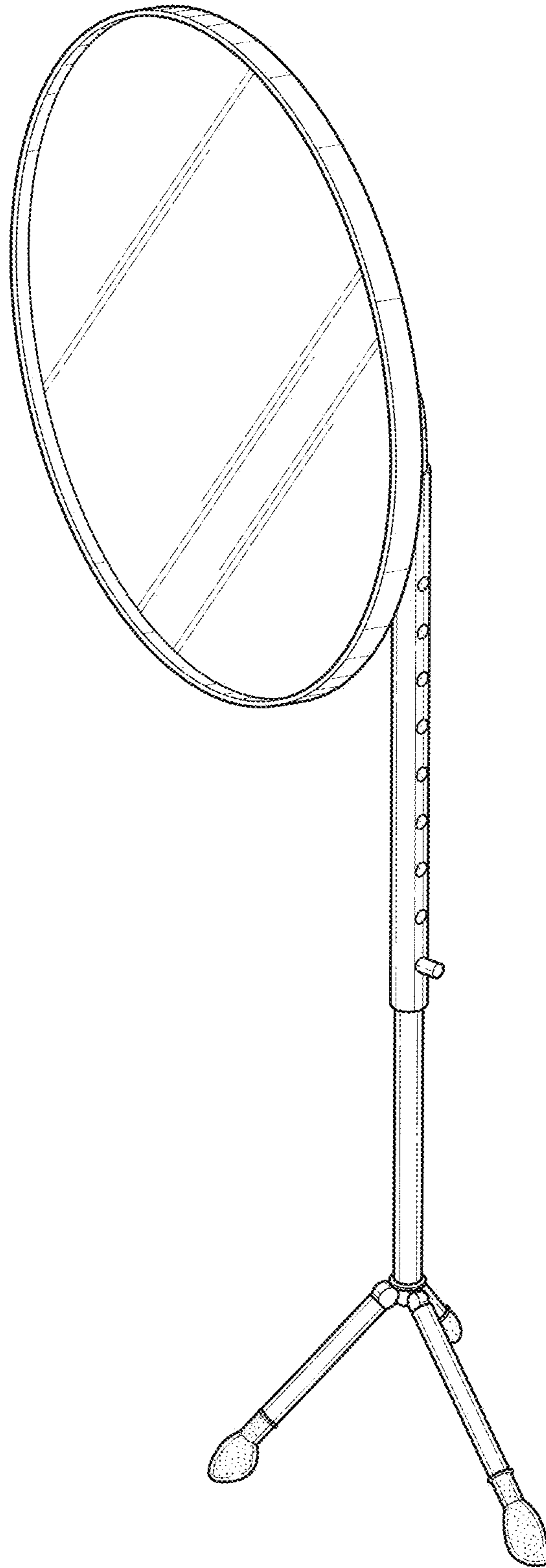


FIG. 1

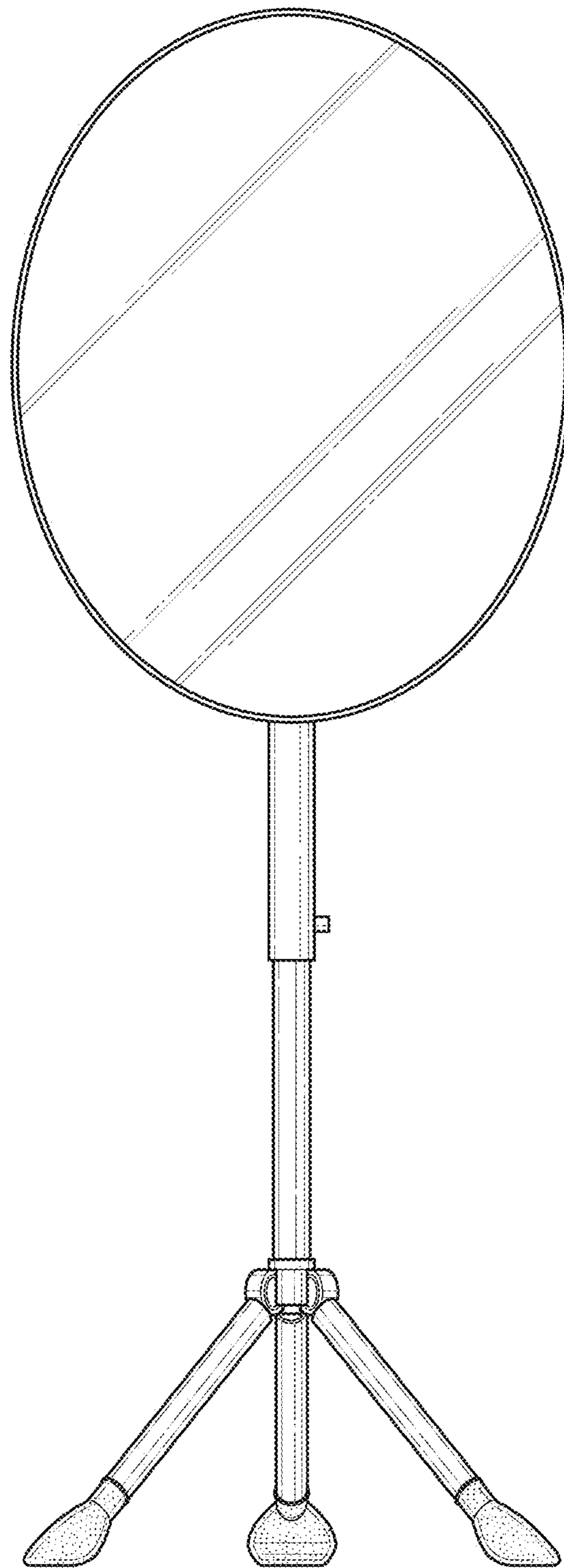


FIG. 2

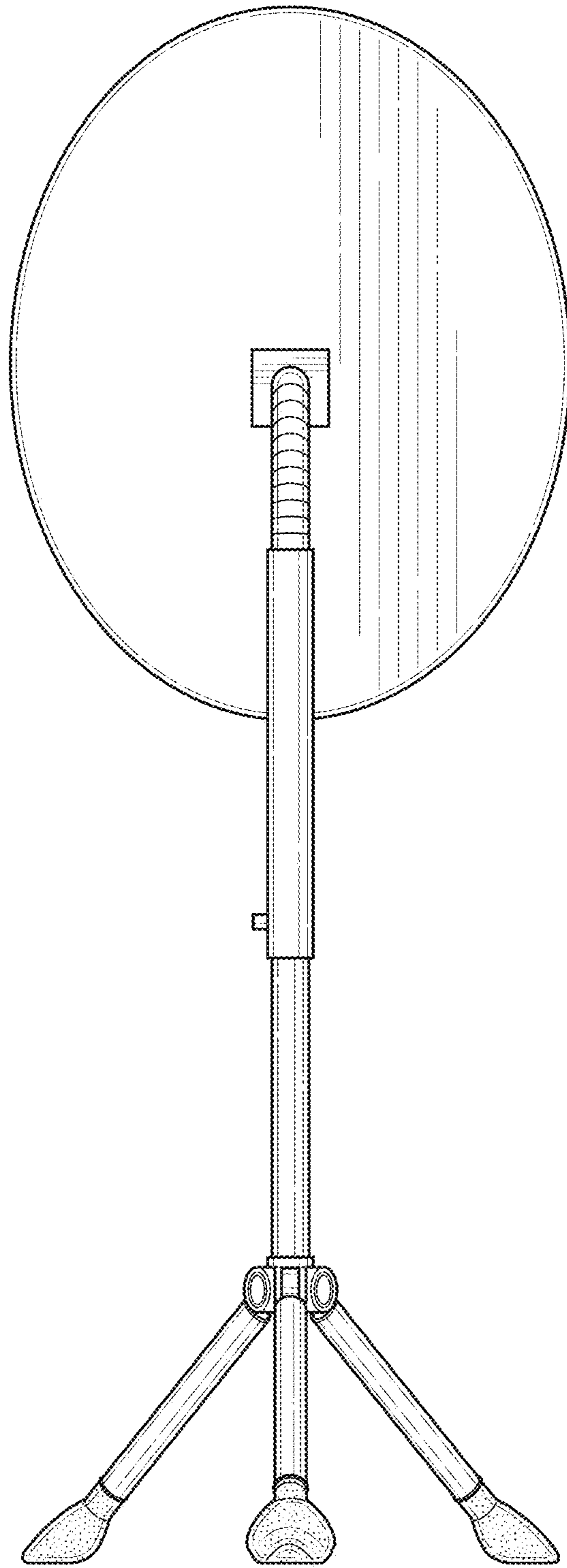


FIG. 3

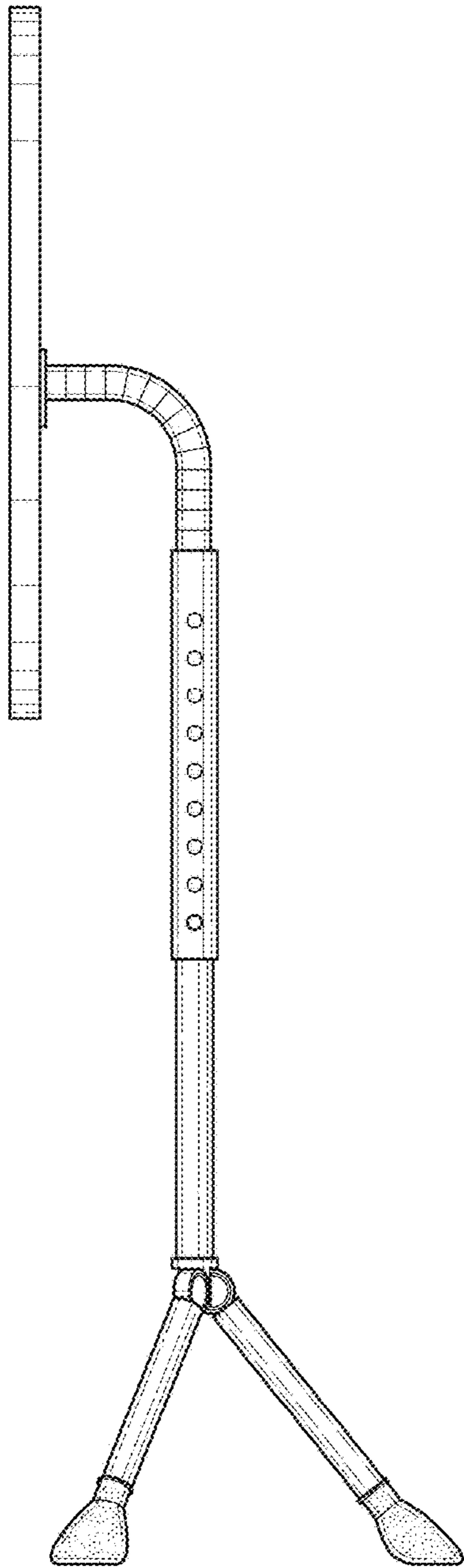


FIG. 4

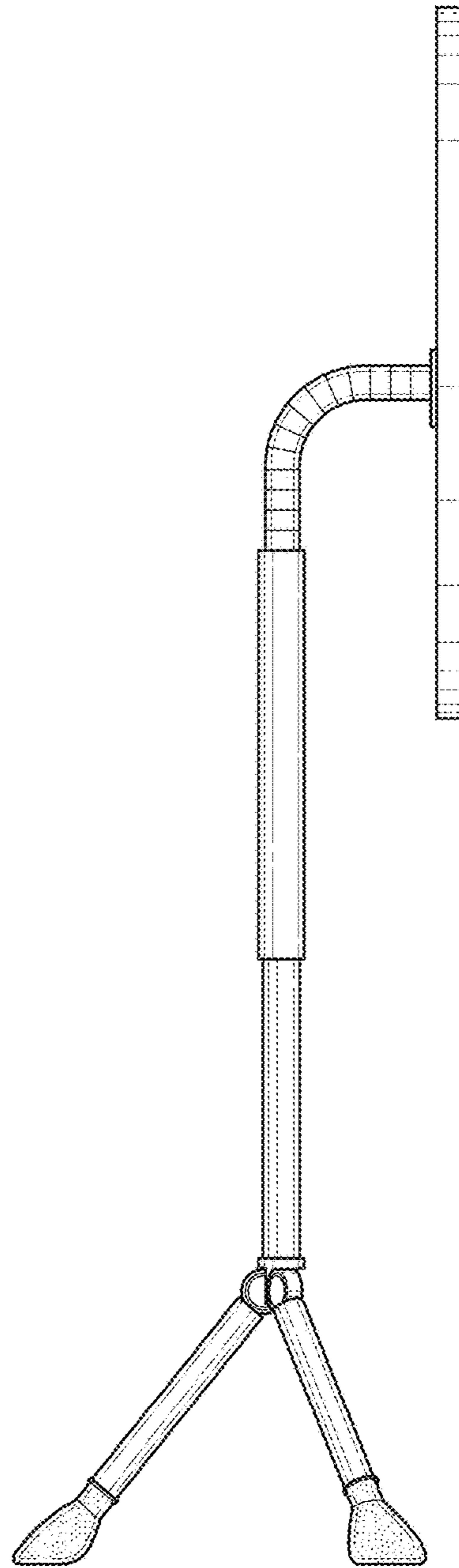


FIG. 5

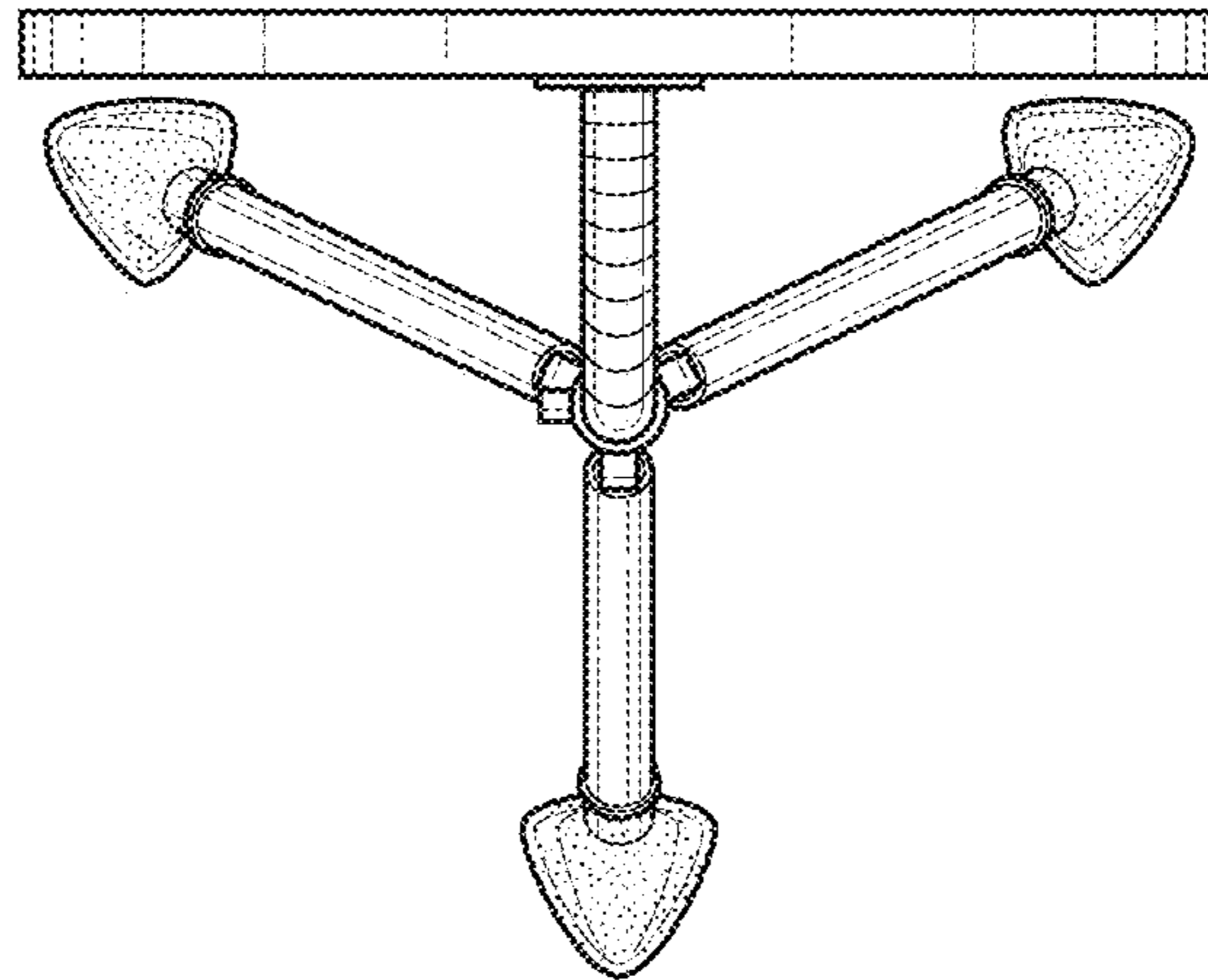


FIG. 6

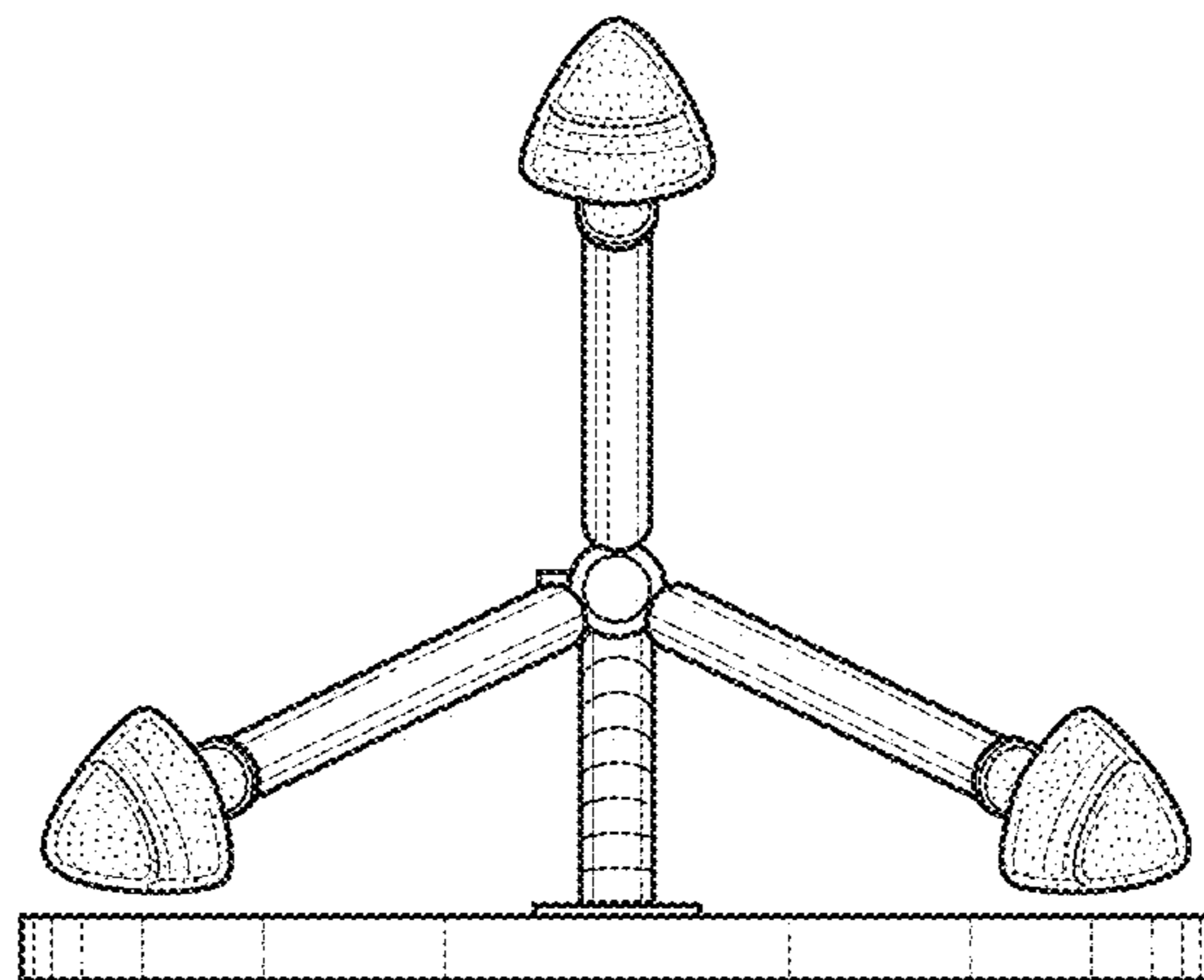


FIG. 7