



US00D824677S

(12) **United States Design Patent** (10) **Patent No.:** **US D824,677 S**  
**Tseng et al.** (45) **Date of Patent:** **\*\* Aug. 7, 2018**

(54) **ELECTRIC TOOTHBRUSH**

FOREIGN PATENT DOCUMENTS

(71) Applicants: **COLGATE-PALMOLIVE COMPANY**, New York, NY (US);  
**OMRON HEALTHCARE CO., LTD.**,  
Kyoto (JP)

CN 301136943 \* 2/2010  
CN 302048051 \* 8/2012

(Continued)

*Primary Examiner* — Karen E Eldridge Powers

(72) Inventors: **Feilang Tseng**, Kyoto (JP); **Fritz Frenkler**, Munich (DE); **Anette Ponholzer**, Munich (DE)

(57) **CLAIM**

The ornamental design for an electric toothbrush, as shown and described.

**DESCRIPTION**

(73) Assignees: **COLGATE-PALMOLIVE COMPANY**, New York, NY (US);  
**OMRON HEALTHCARE CO., LTD.**,  
Kyoto (JP)

FIG. 1 is a front right perspective view of an electric toothbrush according to a first embodiment of the new design;

(\*\*) Term: **15 Years**

FIG. 2 is a front elevation view thereof;

(21) Appl. No.: **29/568,576**

FIG. 3 is a rear elevation view thereof;

(22) Filed: **Jun. 20, 2016**

FIG. 4 is a right side elevation view thereof;

(30) **Foreign Application Priority Data**

Dec. 18, 2015 (JP) ..... 2015-028285

Dec. 18, 2015 (JP) ..... 2015-028286

FIG. 5 is a left side elevation view thereof;

(51) **LOC (11) Cl.** ..... **04-02**

FIG. 6 is a top plan view thereof;

(52) **U.S. Cl.**  
USPC ..... **D4/101**

FIG. 7 is a bottom plan view thereof;

(58) **Field of Classification Search**  
USPC ..... D4/101, 102, 104, 105, 106, 107, 108,  
D4/109, 110, 111, 112, 113; 15/167.1  
(Continued)

FIG. 8 is an enlarged top plan view thereof;

FIG. 9 is an enlarged bottom plan view thereof;

FIG. 10 is a front elevation view of an electric toothbrush according to a second embodiment of the new design;

FIG. 11 is a rear elevation view thereof;

FIG. 12 is a top plan view thereof;

FIG. 13 is a bottom plan view thereof;

FIG. 14 is a right side elevation view thereof;

FIG. 15 is a left side elevation view thereof;

FIG. 16 is a front right perspective view thereof;

FIG. 17 is an enlarged top plan view thereof;

FIG. 18 is an enlarged bottom plan view thereof;

FIG. 19 is an enlarged view of area 19 of FIG. 10; and,

FIG. 20 is an enlarged view of area 20 of FIG. 16.

The dash-dot broken lines shown in the drawings illustrate the bounds of the areas shown in the enlarged views, and the bounds of the enlarged views themselves, and form no part of the claimed design.

(56) **References Cited**

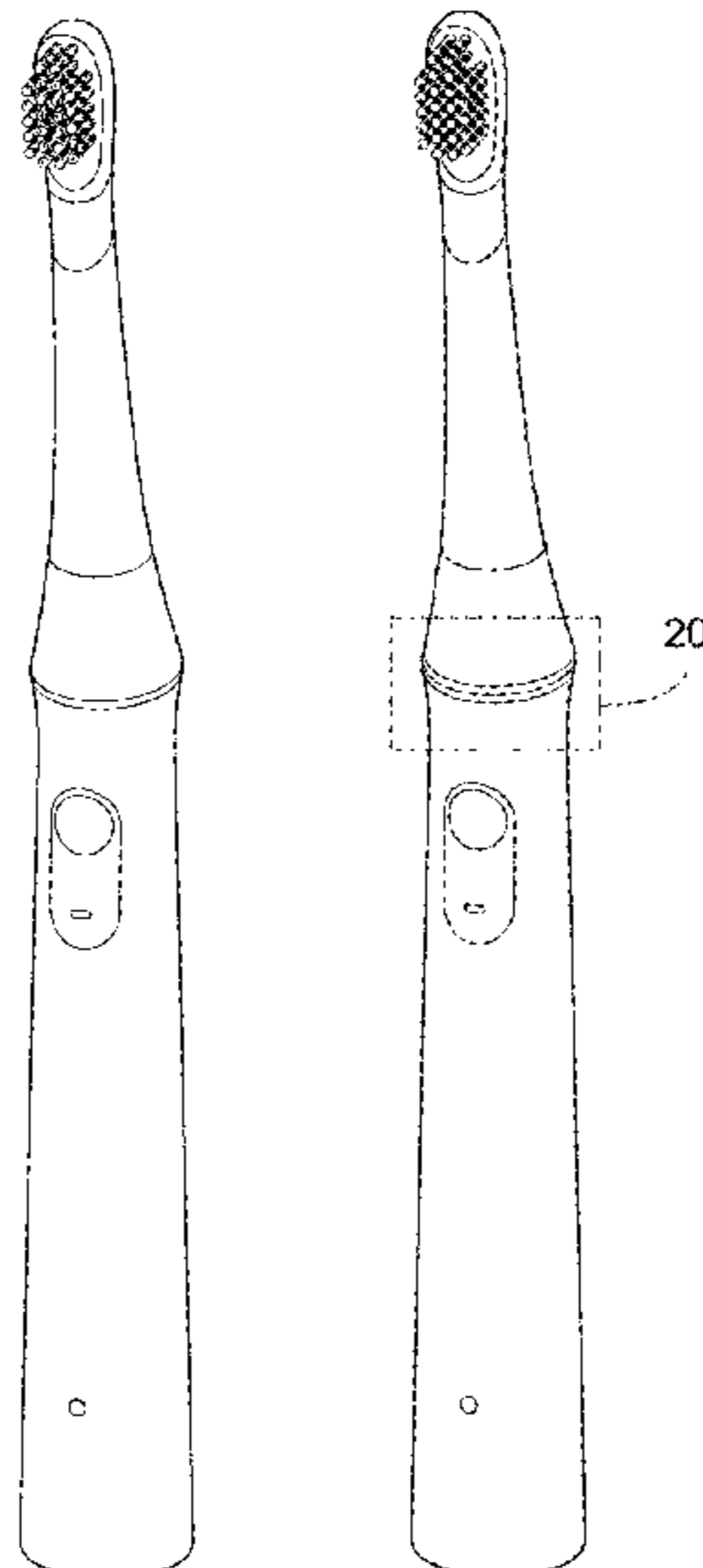
U.S. PATENT DOCUMENTS

D217,754 S \* 6/1970 Soper ..... D4/101

D220,239 S \* 3/1971 Rams et al. .... D4/101

(Continued)

**1 Claim, 11 Drawing Sheets**



(58) **Field of Classification Search**  
 CPC ..... A46B 9/04; A46B 9/10; A46B 2200/1066  
 See application file for complete search history.

D771,388 S \* 11/2016 Since ..... D4/101  
 D774,771 S \* 12/2016 Yoshida ..... D4/101  
 D775,835 S \* 1/2017 Yoshida ..... D4/101  
 D780,456 S \* 3/2017 Shigeno ..... D4/101  
 2003/0215282 A1\* 11/2003 Edwards ..... A46B 11/0027  
 401/277  
 2004/0237995 A1\* 12/2004 Mualem ..... A46B 11/0024  
 132/311  
 2012/0272468 A1\* 11/2012 Weisman ..... C08L 23/02  
 15/167.1

(56) **References Cited**

U.S. PATENT DOCUMENTS

D362,340 S \* 9/1995 Vos ..... D4/101  
 D476,156 S \* 6/2003 Ferber ..... D4/101  
 D503,852 S \* 4/2005 Hensel ..... D4/101  
 6,918,153 B2\* 7/2005 Gruber ..... A46B 11/063  
 15/22.1  
 D632,894 S \* 2/2011 Shigeno ..... D4/101  
 8,434,184 B2\* 5/2013 Fritsch ..... A46B 15/00  
 15/167.1  
 D696,517 S \* 12/2013 Gebski ..... D4/101  
 D719,737 S \* 12/2014 Adriaenssen ..... D4/101  
 D724,845 S \* 3/2015 Yoshida ..... D4/101  
 9,015,886 B2\* 4/2015 Fritsch ..... A61C 17/34  
 15/167.1  
 D734,613 S \* 7/2015 Yoshida ..... D4/101  
 D768,866 S \* 10/2016 Shigeno ..... D24/200

FOREIGN PATENT DOCUMENTS

GB 1060670 \* 1/1990  
 GB 2099096 \* 2/2001  
 JP D1070970 \* 5/2000  
 JP D1322681 \* 2/2008  
 JP D1355068 \* 4/2009  
 JP D1428281 \* 11/2011  
 JP D1562833 \* 11/2016  
 TR 201204501-0001 \* 11/2012  
 WO D027940-001 \* 1/1994

\* cited by examiner

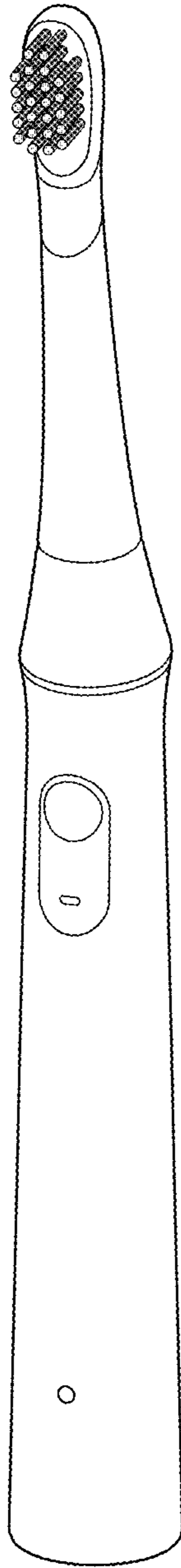


FIG. 1

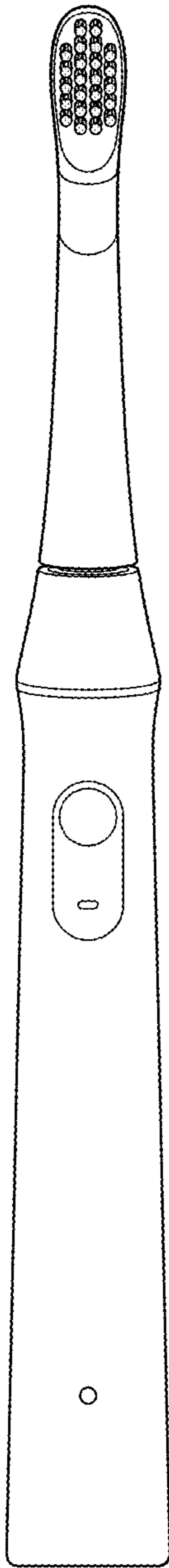


FIG. 2

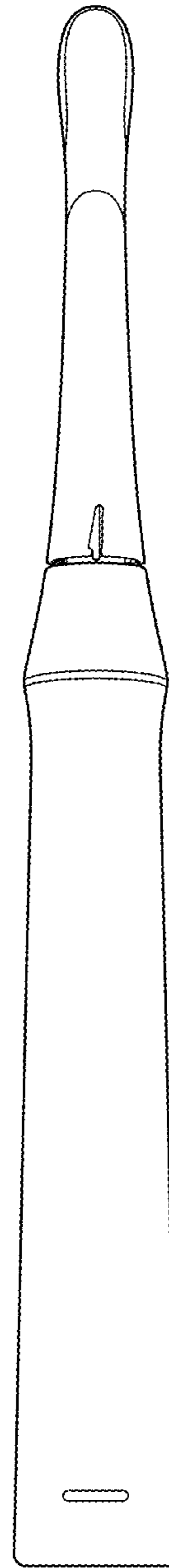


FIG. 3

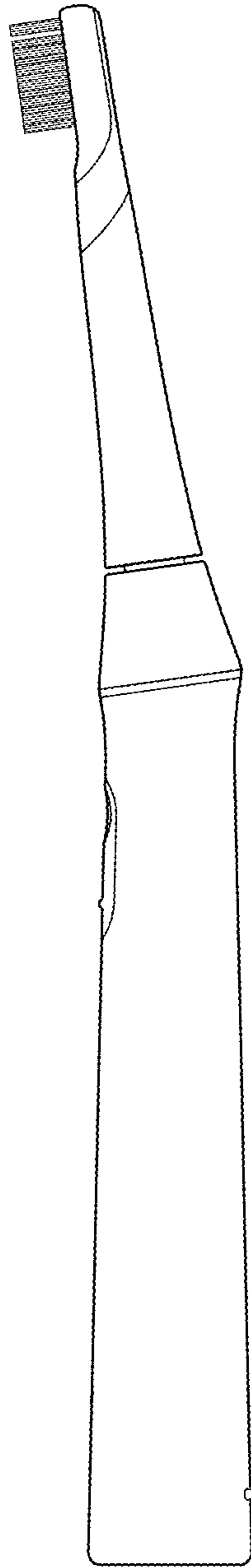


FIG. 4

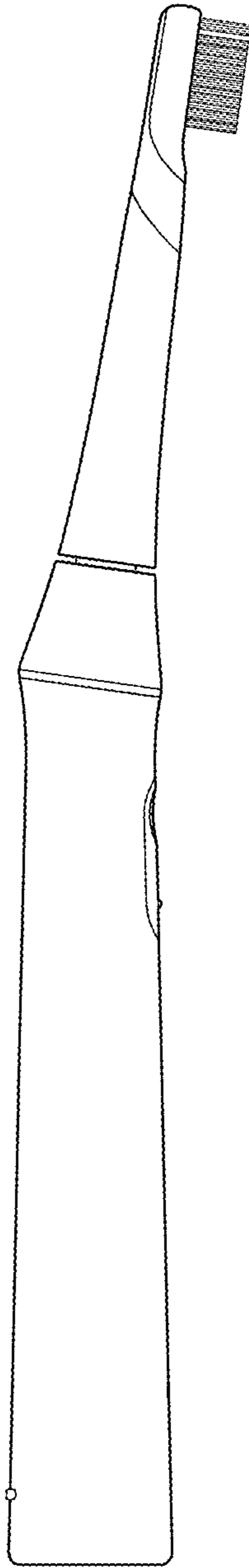


FIG. 5

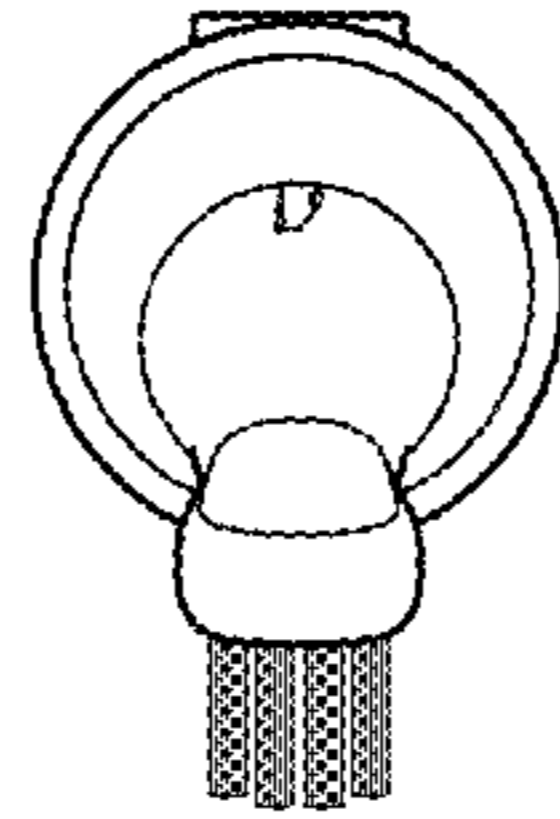


FIG. 6

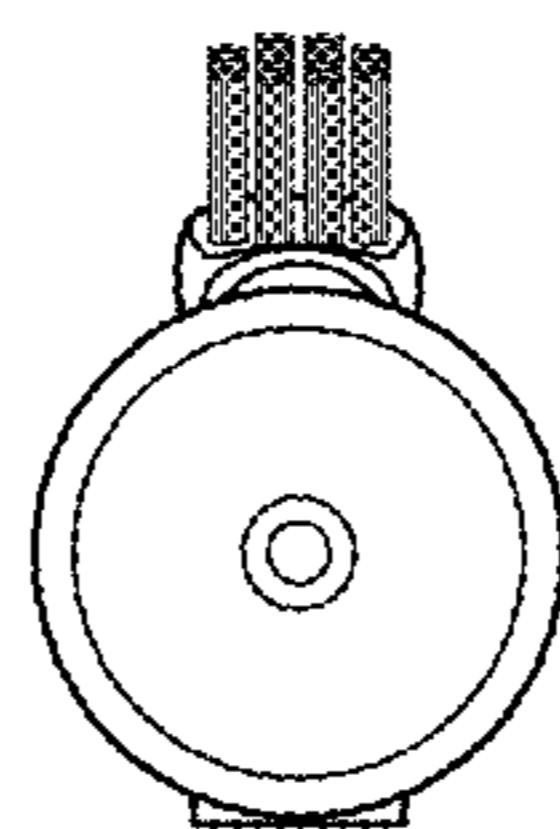


FIG. 7

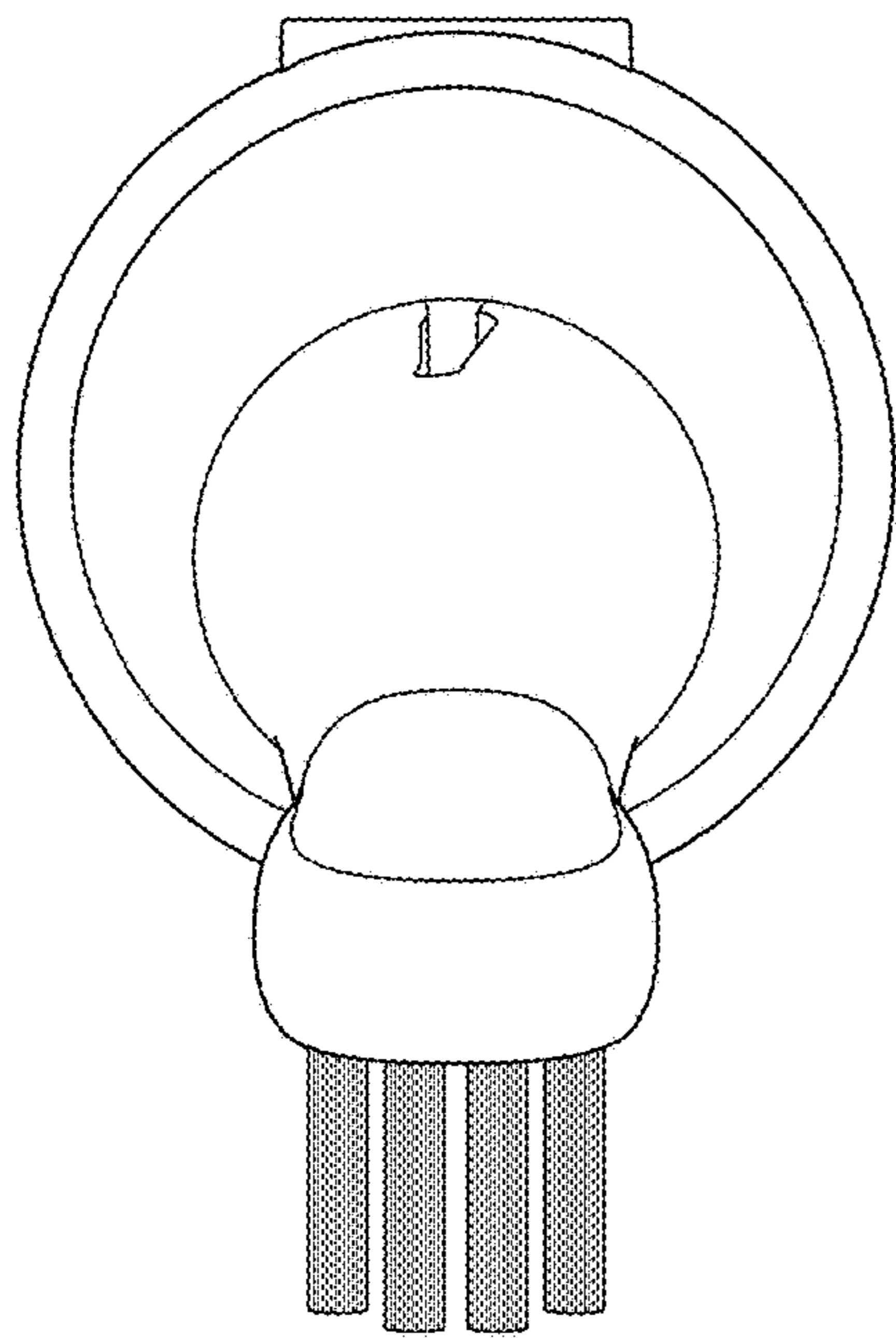


FIG. 8

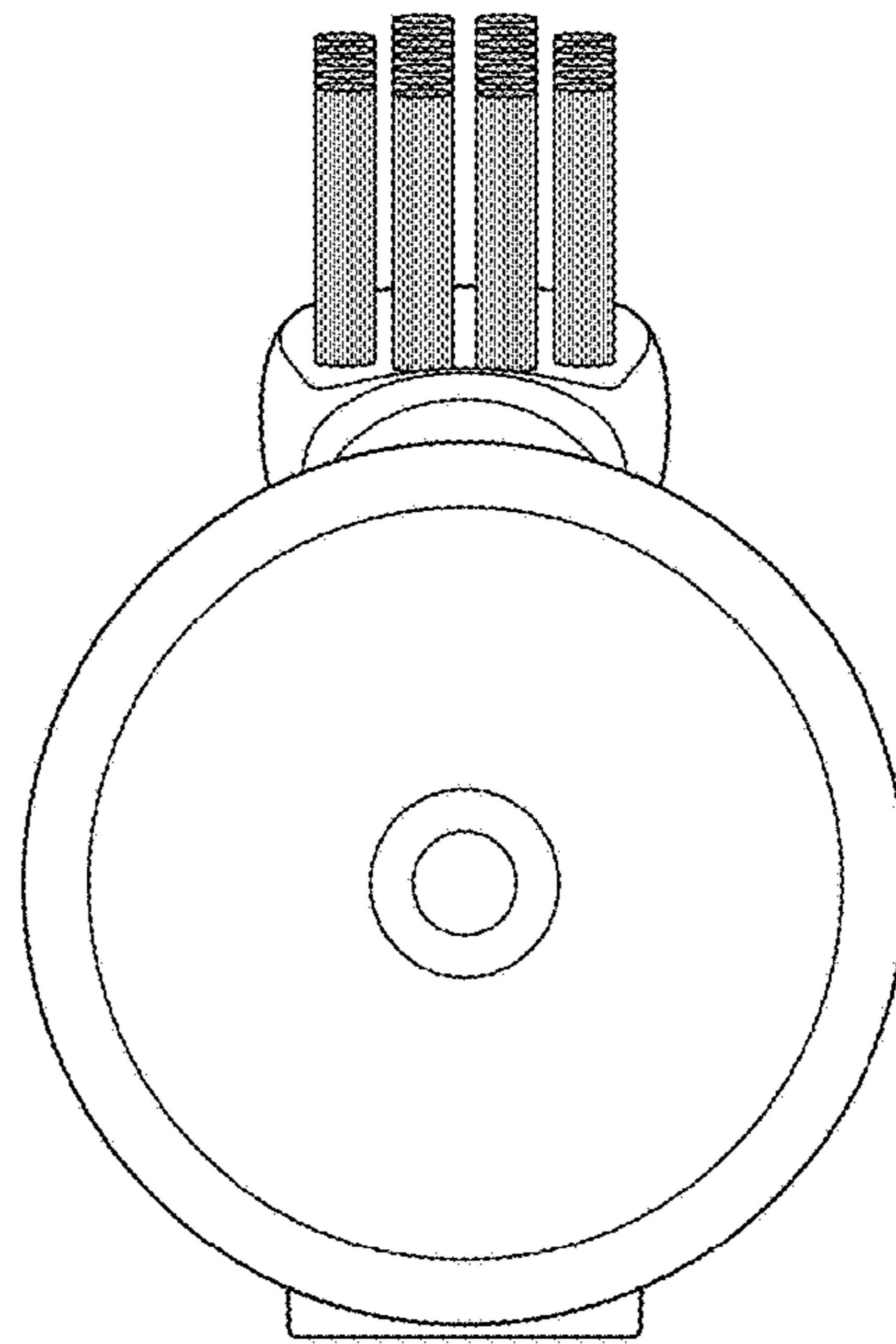


FIG. 9

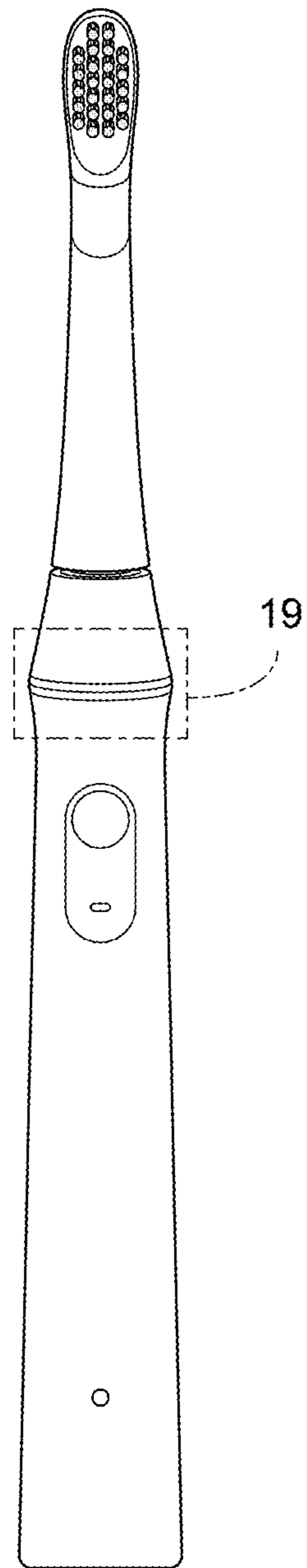


FIG 10

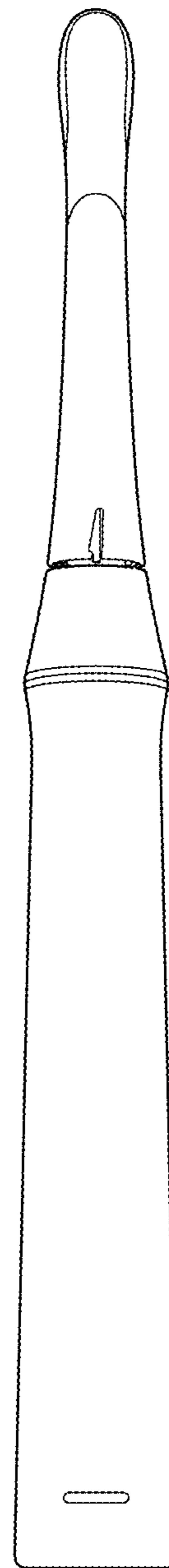


FIG 11



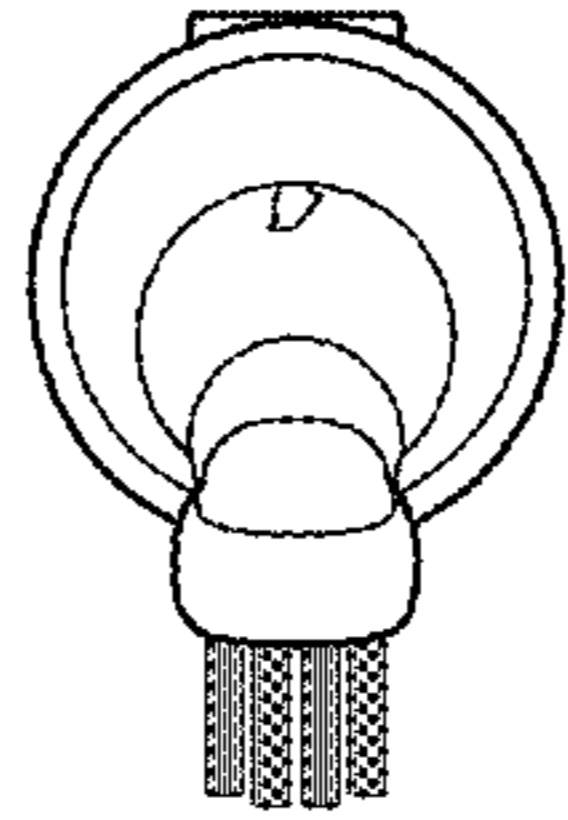


FIG 12

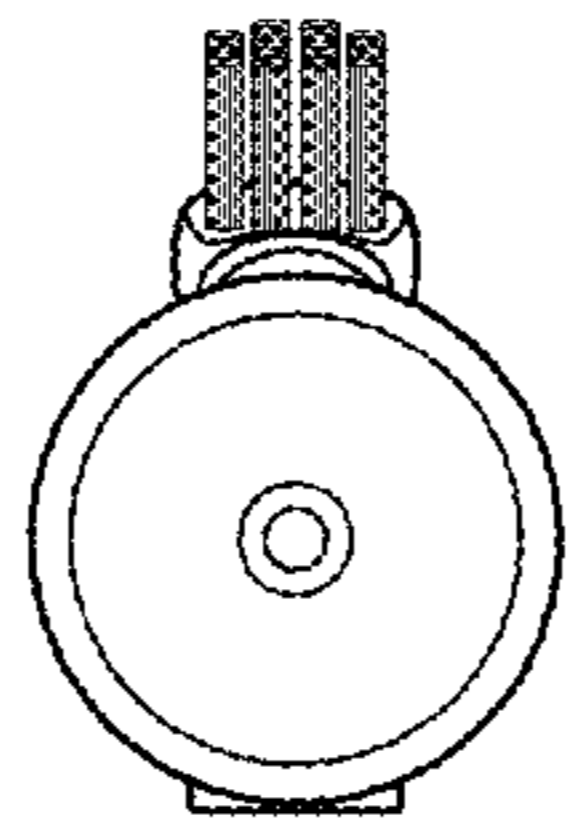


FIG 13

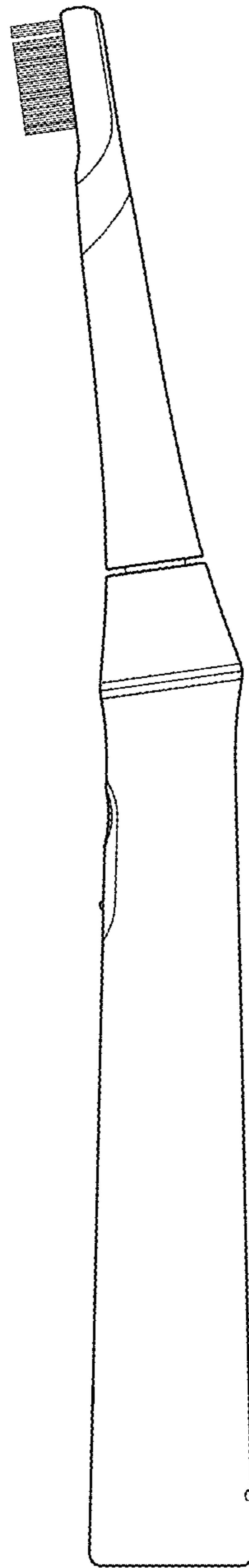


FIG 14

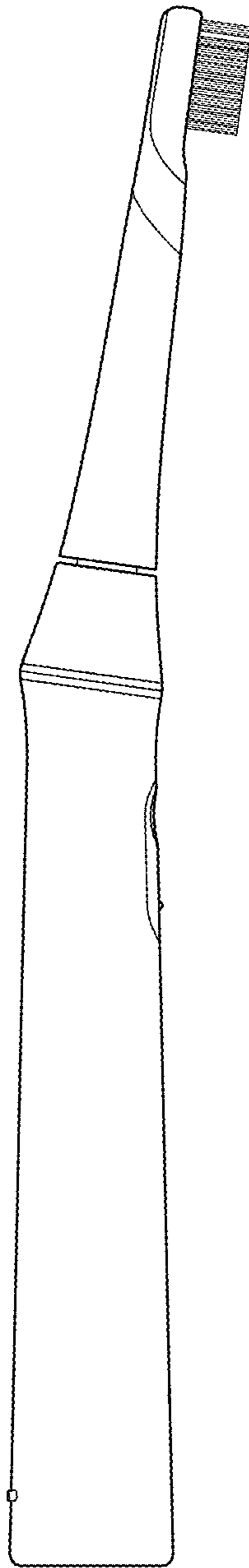


FIG 15

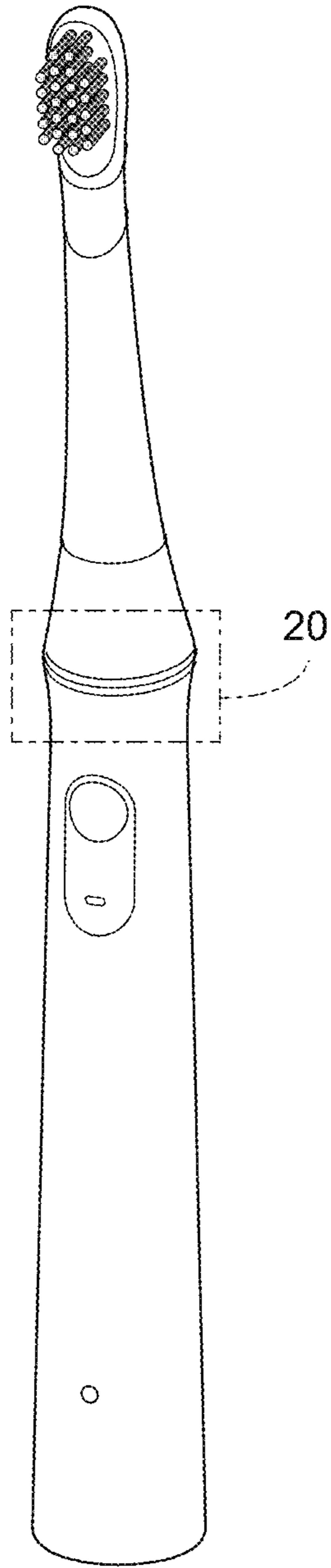


FIG 16

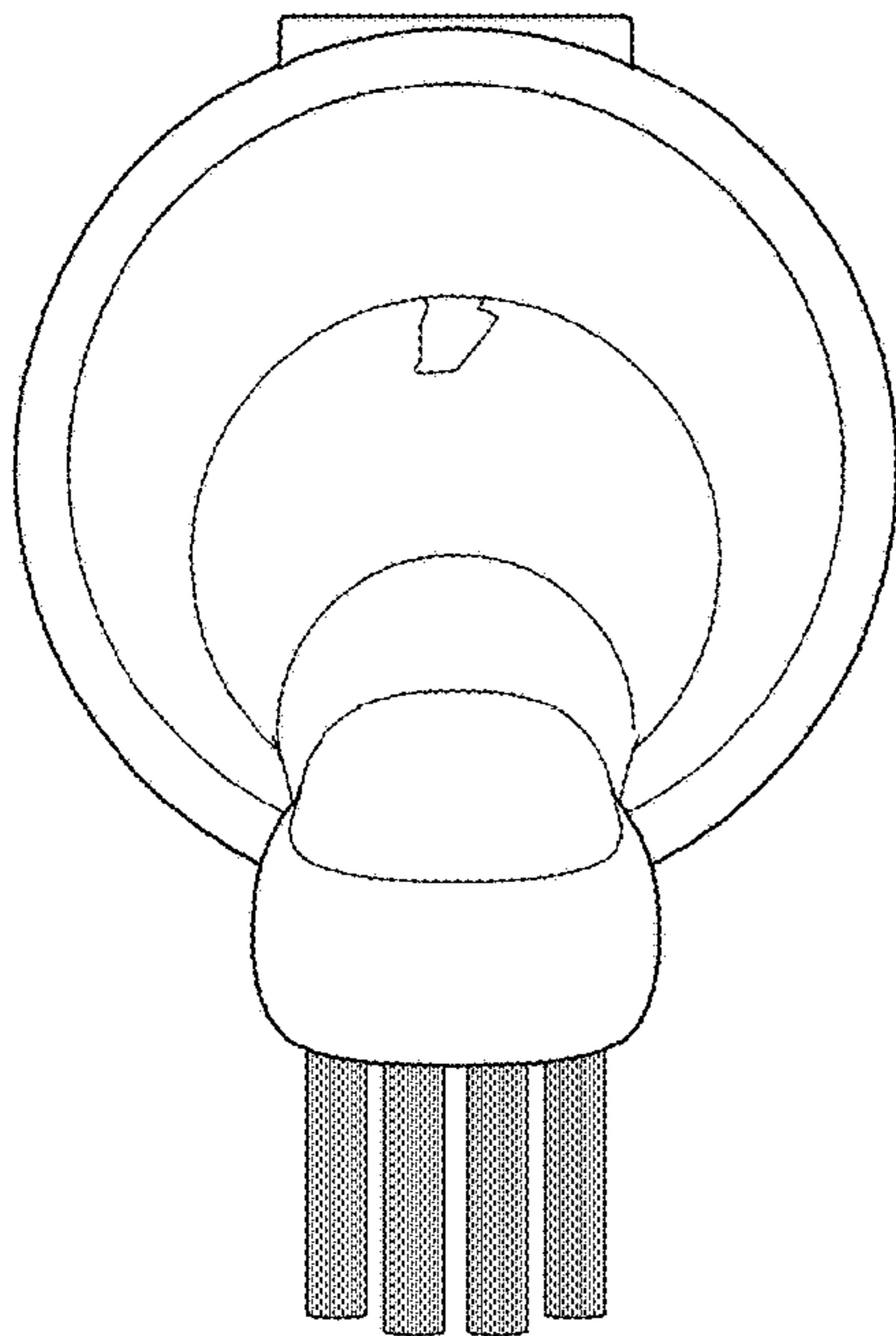


FIG 17

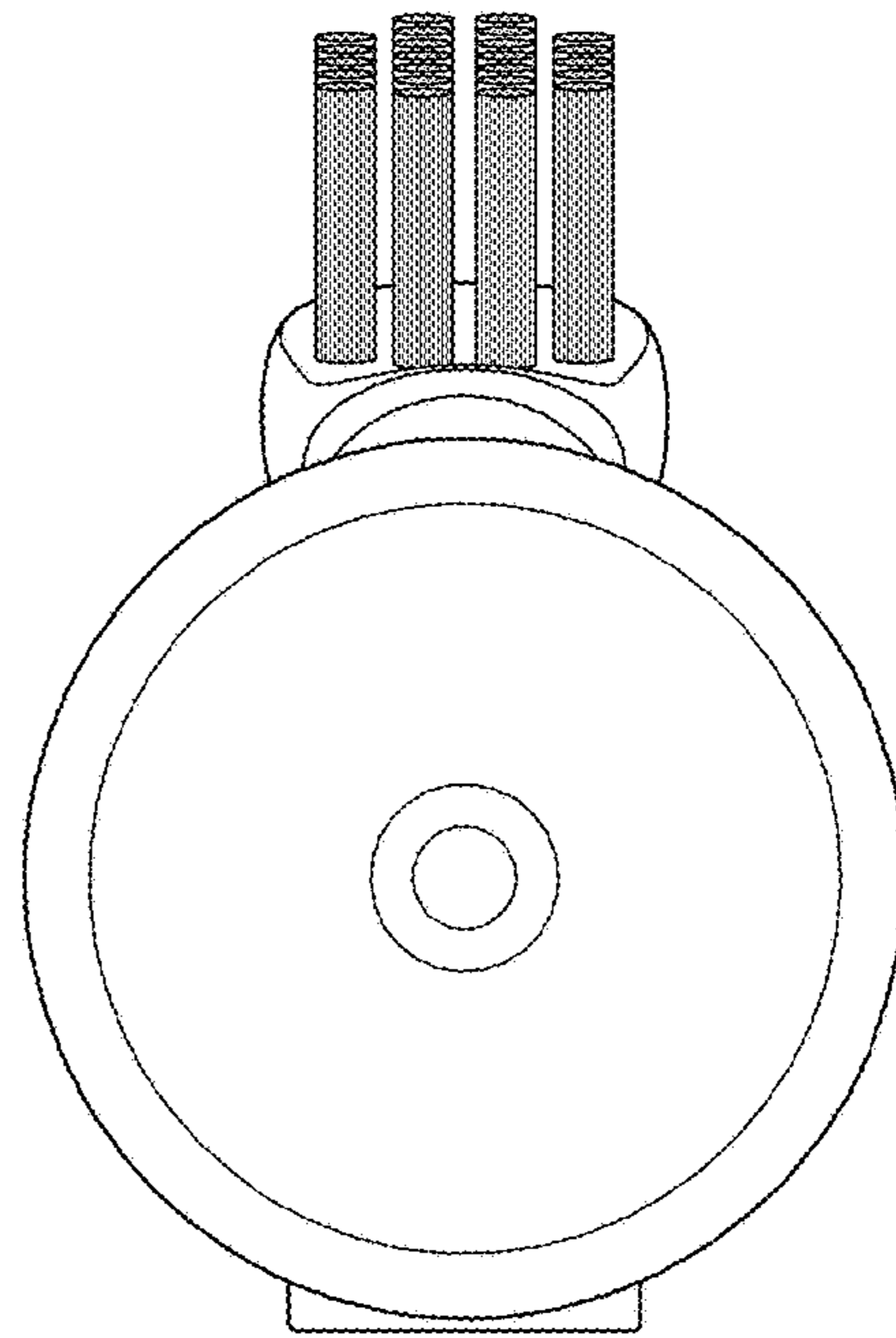


FIG 18

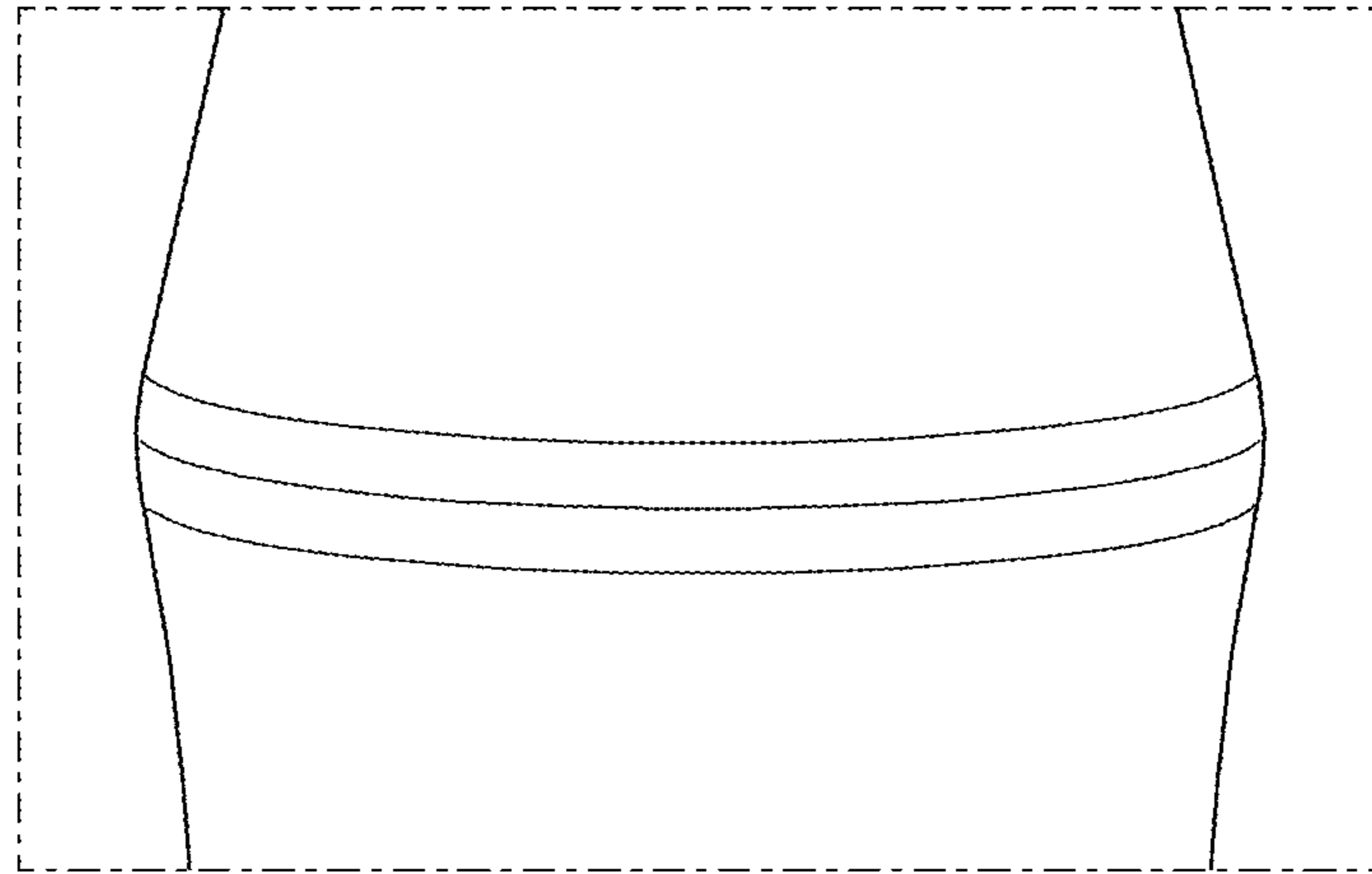


FIG 19

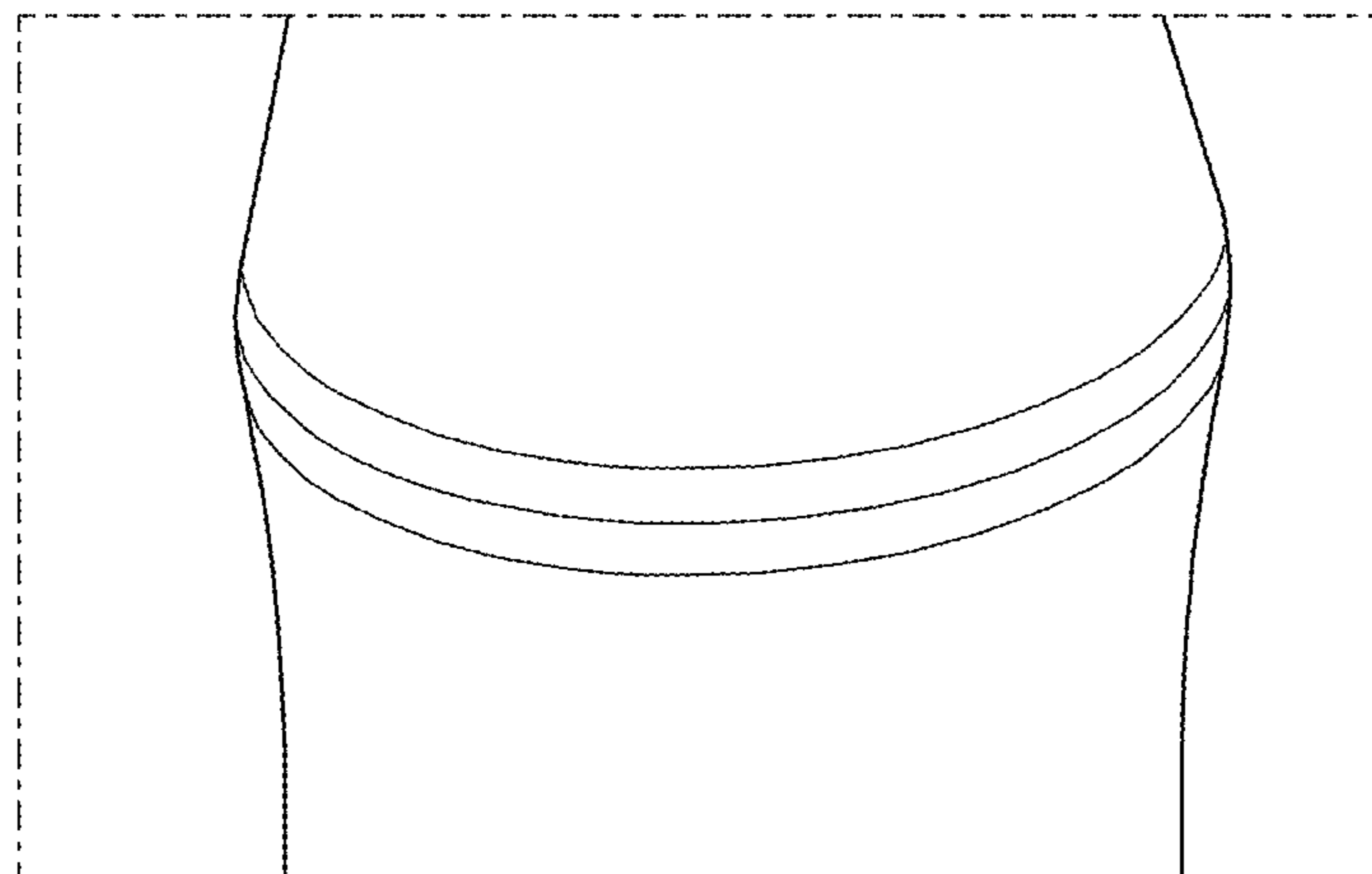


FIG 20