



US00D824670S

(12) **United States Design Patent**  
**Butler et al.**

(10) **Patent No.:** **US D824,670 S**

(45) **Date of Patent:** **\*\* Aug. 7, 2018**

(54) **DEVICE FOR HOLDING BATH TOYS**

(71) Applicant: **Skip Hop Inc.**, New York, NY (US)

(72) Inventors: **Rahnee Butler**, Hawthorne, NY (US);  
**Chelsea Carter**, Jersey City, NJ (US)

(73) Assignee: **SKIP HOP, INC.**, New York, NY (US)

(\*\*) Term: **15 Years**

(21) Appl. No.: **29/584,347**

(22) Filed: **Nov. 14, 2016**

(51) **LOC (11) Cl.** ..... **03-01**

(52) **U.S. Cl.**

USPC ..... **D3/271.2**

(58) **Field of Classification Search**

USPC .... D3/271.2, 270, 271.1; D9/600, 601, 606,  
D9/610; D6/512, 524, 525; D21/576,  
D21/597, 599; D28/73; 211/1, 85.12,  
211/14, 71.01, 85, 85.15, 85.24, 85.29;  
220/483

CPC ..... A47K 3/001; A47K 3/281; A47K 5/00;  
A47K 5/02; A47K 7/02; B65D 29/00;  
B65D 29/04; B65D 11/00; B65D 29/13;  
B65D 25/52

See application file for complete search history.

(56) **References Cited**

**U.S. PATENT DOCUMENTS**

D200,414 S \* 2/1965 Karp ..... D21/599  
D265,152 S \* 6/1982 Bruno ..... D6/525  
D453,268 S \* 2/2002 Snell ..... D3/304  
D475,562 S \* 6/2003 Suero, Jr. .... D6/525  
D483,586 S \* 12/2003 Snell ..... D6/525  
D513,142 S \* 12/2005 Suero, Jr. .... D6/525  
D569,668 S \* 5/2008 Kramer ..... A47K 3/281  
D6/525  
D612,455 S \* 3/2010 Henderson ..... D21/597  
D619,843 S \* 7/2010 Noren ..... D3/271.11

D625,129 S \* 10/2010 Zack ..... D6/524  
D632,109 S \* 2/2011 Baron ..... D6/525  
8,387,783 B2 \* 3/2013 Zack ..... A47K 3/001  
206/77.1  
D679,529 S \* 4/2013 Gilboe ..... D6/525  
D682,593 S \* 5/2013 Gilboe ..... D6/562

(Continued)

**OTHER PUBLICATIONS**

Skip Hop Moby Bath Neoprene Toy Organizer, available Feb. 9, 2017, [online], [site visited Aug. 29, 2017]. Available from internet, <URL: <https://www.amazon.com/Skip-Hop-Moby-Neoprene-Organizer/dp/B01MQ453CF> (Year: 2017).\*

(Continued)

*Primary Examiner* — Cathron C Brooks

*Assistant Examiner* — W. A. Teddy Falloway

(74) *Attorney, Agent, or Firm* — Stephen J. Weyer, Esq.;  
Stites & Harbison, PLLC

(57) **CLAIM**

The ornamental design for a device for holding bath toys, as shown and described.

**DESCRIPTION**

FIG. 1 is a perspective view taken from the top, front, and left side of a device for holding bath toys in accordance with the present invention.

FIG. 2 is a front elevational view thereof.

FIG. 3 is a rear view thereof.

FIG. 4 is a left elevational view thereof.

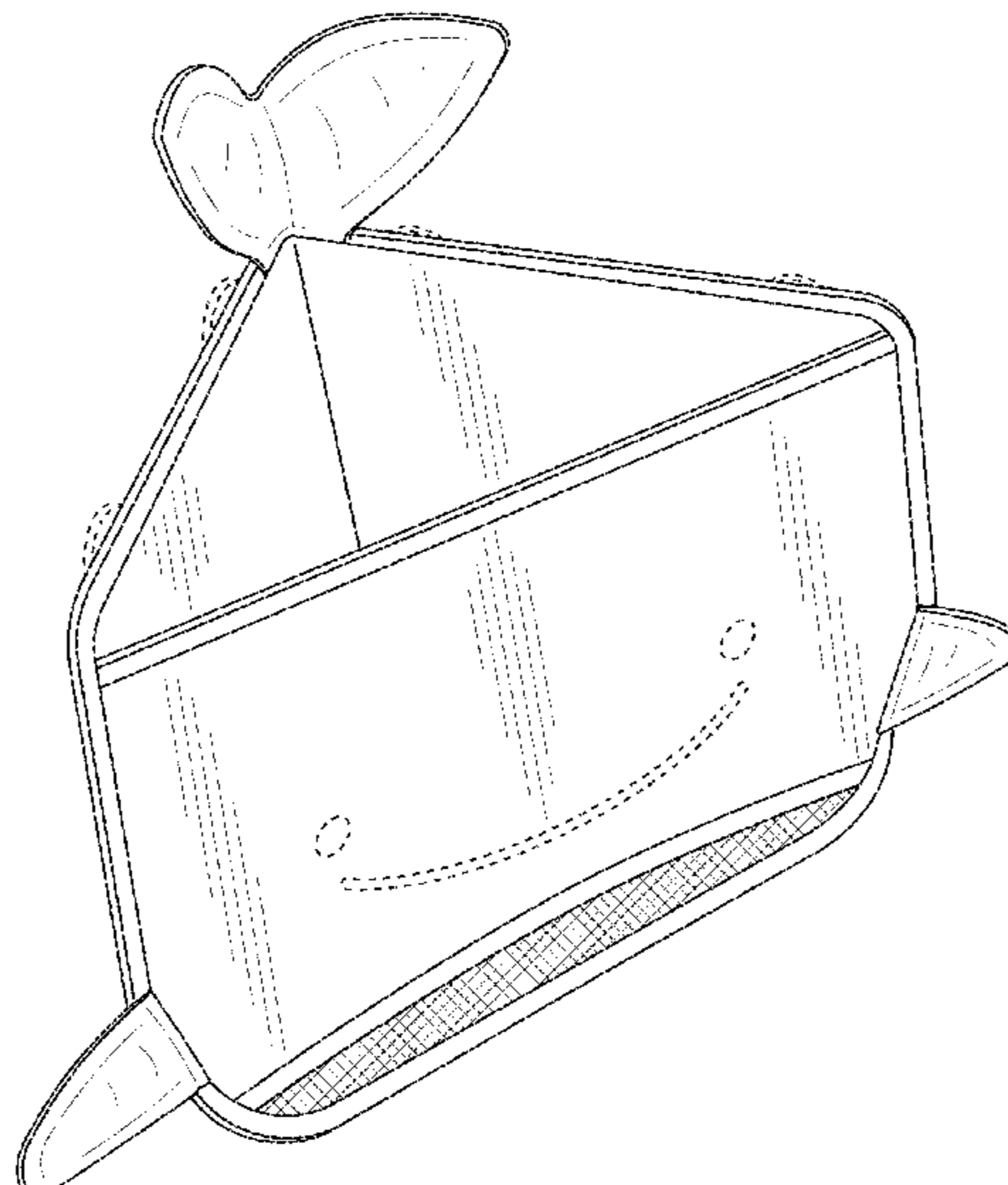
FIG. 5 is a right elevational view thereof.

FIG. 6 is a top view thereof; and,

FIG. 7 is a bottom view thereof.

The dash-dash broken lines illustrate portions of the device for holding bath toys. The dash-dot broken lines represent the bounds of the claim. The broken lines form no part of the claimed design.

**1 Claim, 7 Drawing Sheets**



(56)

**References Cited**

## U.S. PATENT DOCUMENTS

8,827,102 B2 \* 9/2014 Zack ..... A47K 3/001  
206/829  
D727,463 S \* 4/2015 Hayes ..... D23/212  
9,015,892 B1 \* 4/2015 Figel ..... A47K 7/024  
15/160  
9,538,823 B2 \* 1/2017 Hayes ..... A45D 19/00  
2011/0084038 A1 \* 4/2011 Zack ..... A47K 3/001  
211/85.7

## OTHER PUBLICATIONS

Bath Toy Organizer, available Jul. 2, 2015, [online], [site visited Aug. 29, 2017]. Available from internet, <URL: <https://www.amazon.com/dp/B01CCTY100?psc=1> (Year: 2015).\*

mDesign Suction Shower Caddy, available Jan. 9, 2016, [online], [site visited Aug. 29, 2017]. Available from internet, <URL: [https://www.amazon.com/mDesign-Corner-Suction-Shower-Organizer/dp/B015RVSMVVY/ref=sr\\_1\\_4?s=home-garden&ie=UTF8&qid=1504032442&sr=1-4&keywords=corner+toy+caddy](https://www.amazon.com/mDesign-Corner-Suction-Shower-Organizer/dp/B015RVSMVVY/ref=sr_1_4?s=home-garden&ie=UTF8&qid=1504032442&sr=1-4&keywords=corner+toy+caddy) (Year: 2016).\*

Munchkin Corner Bath Organizer, available Jan. 19, 2012, [online], [site visited Aug. 29, 2017]. Available from internet, <URL: <https://www.amazon.com/Munchkin-Corner-Bath-Organizer-Discontinued/dp/B002A9JCXK> (Year: 2012).\*

\* cited by examiner

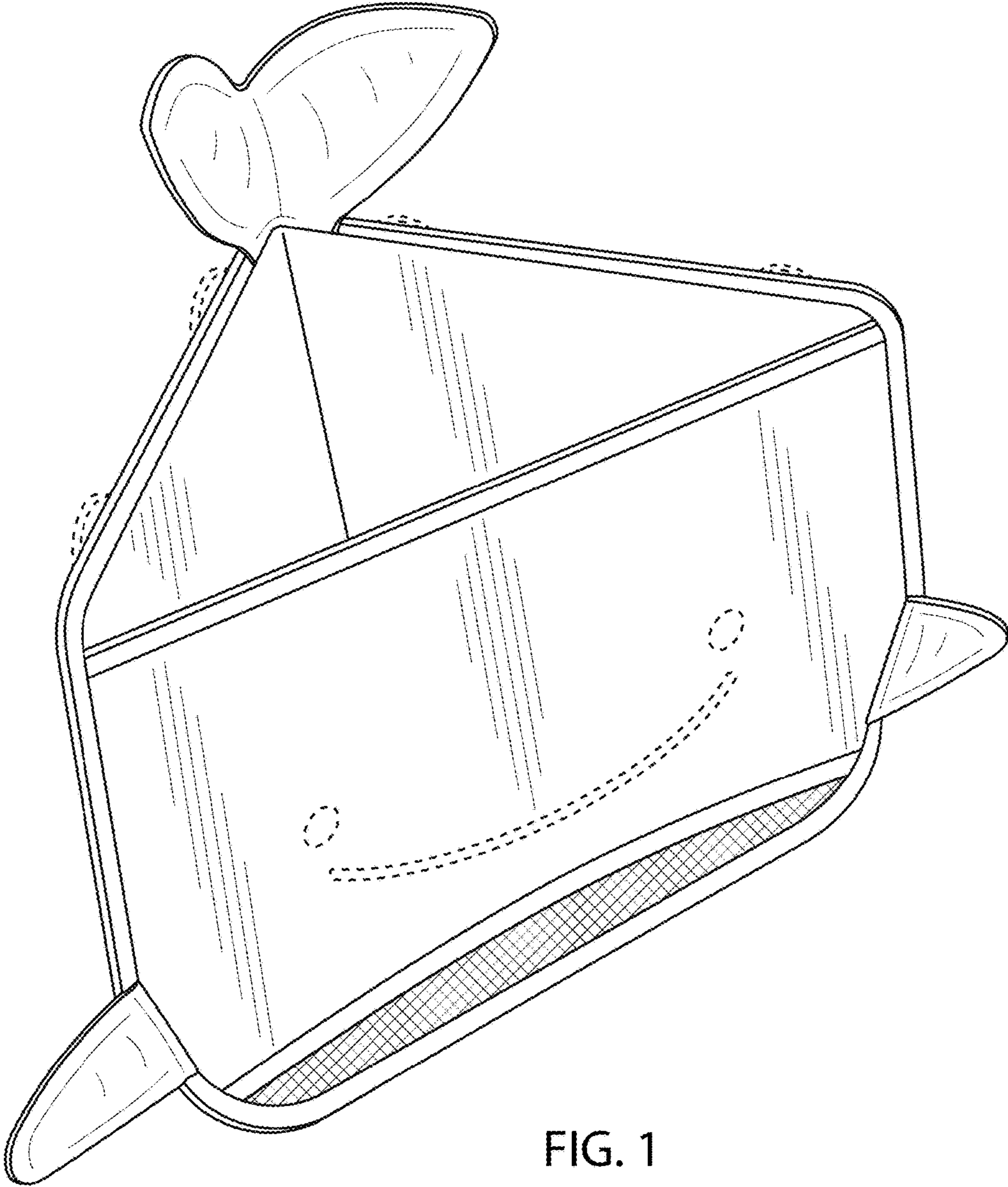


FIG. 1

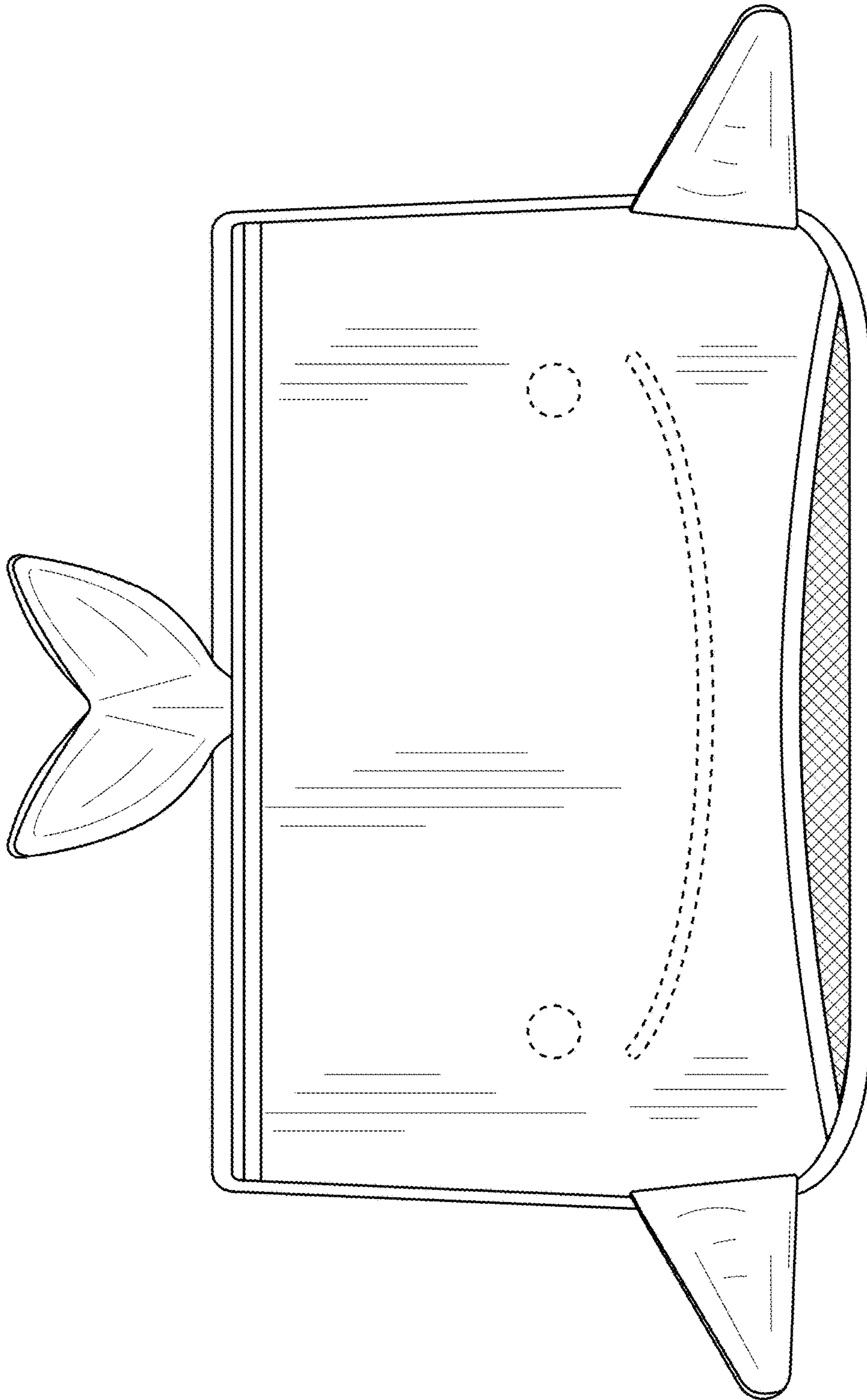


FIG. 2

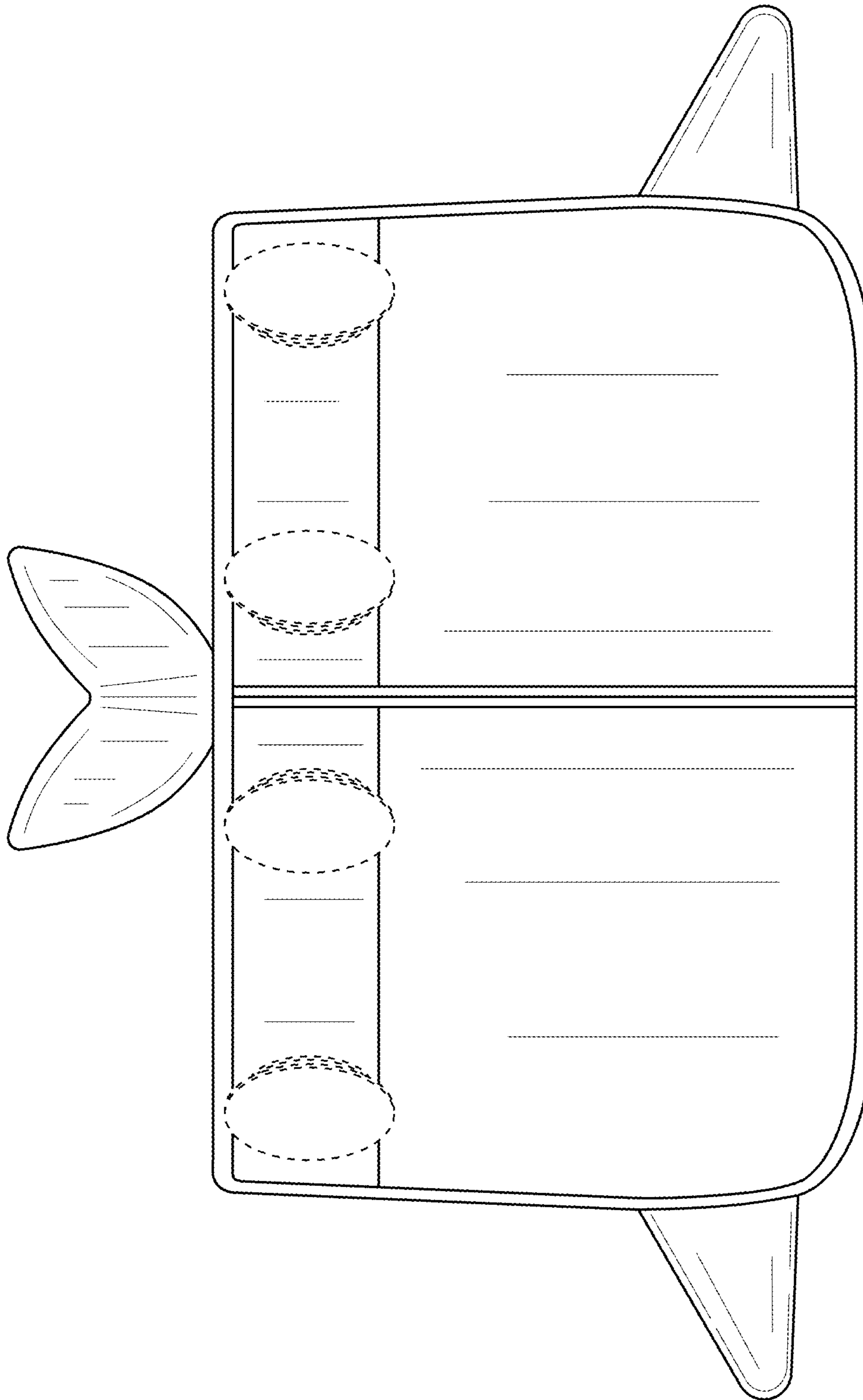


FIG. 3

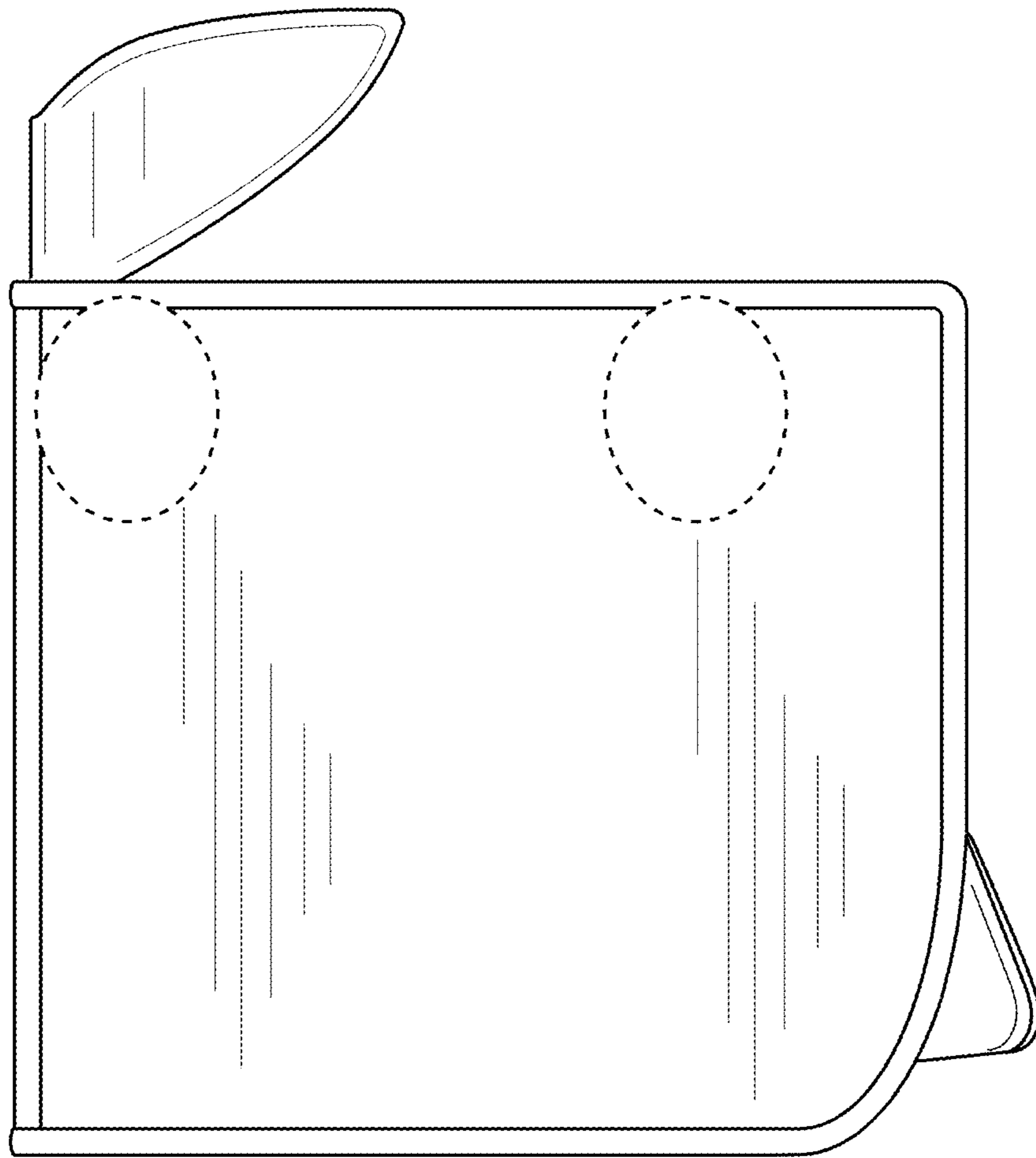


FIG. 4

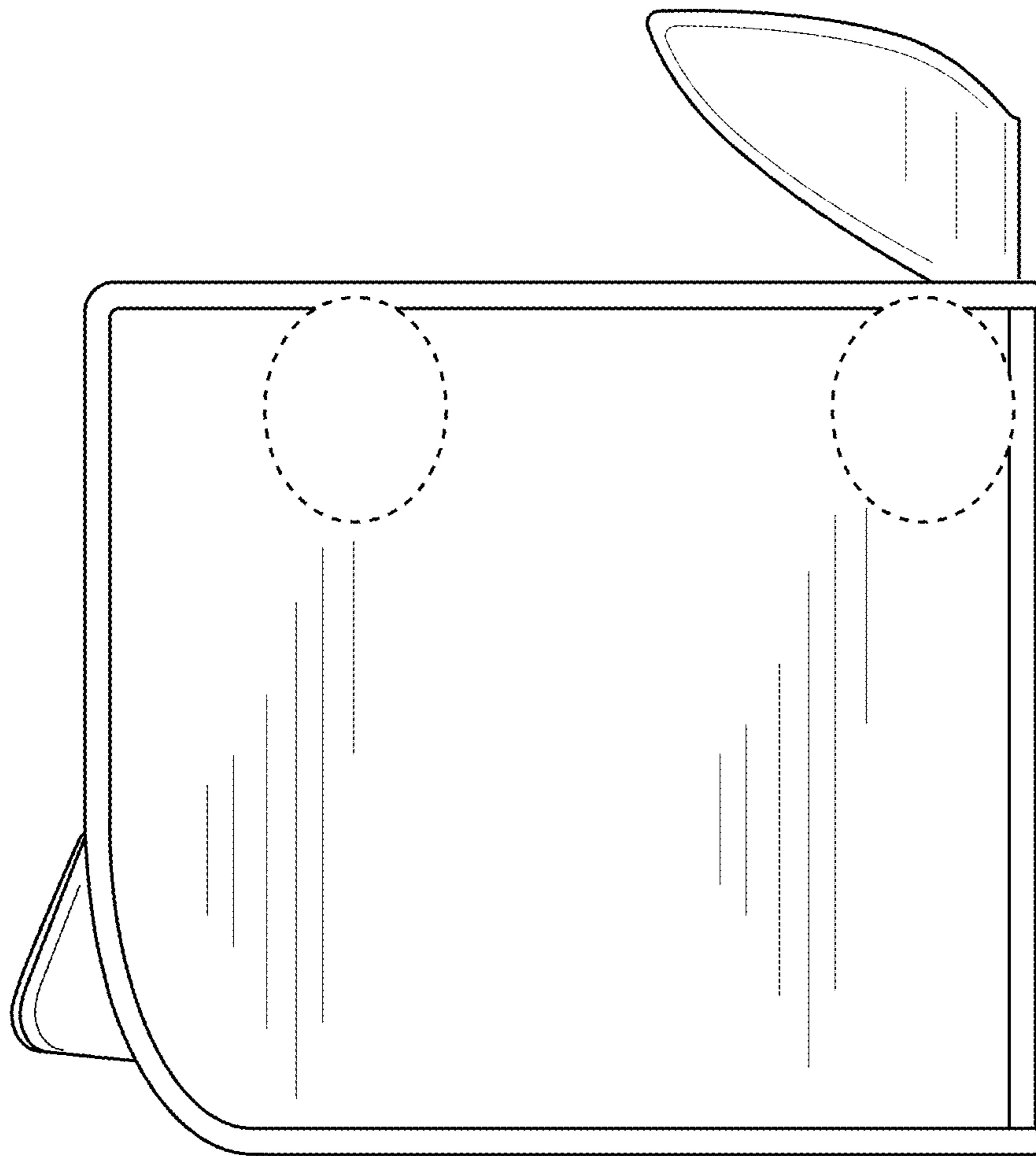


FIG. 5

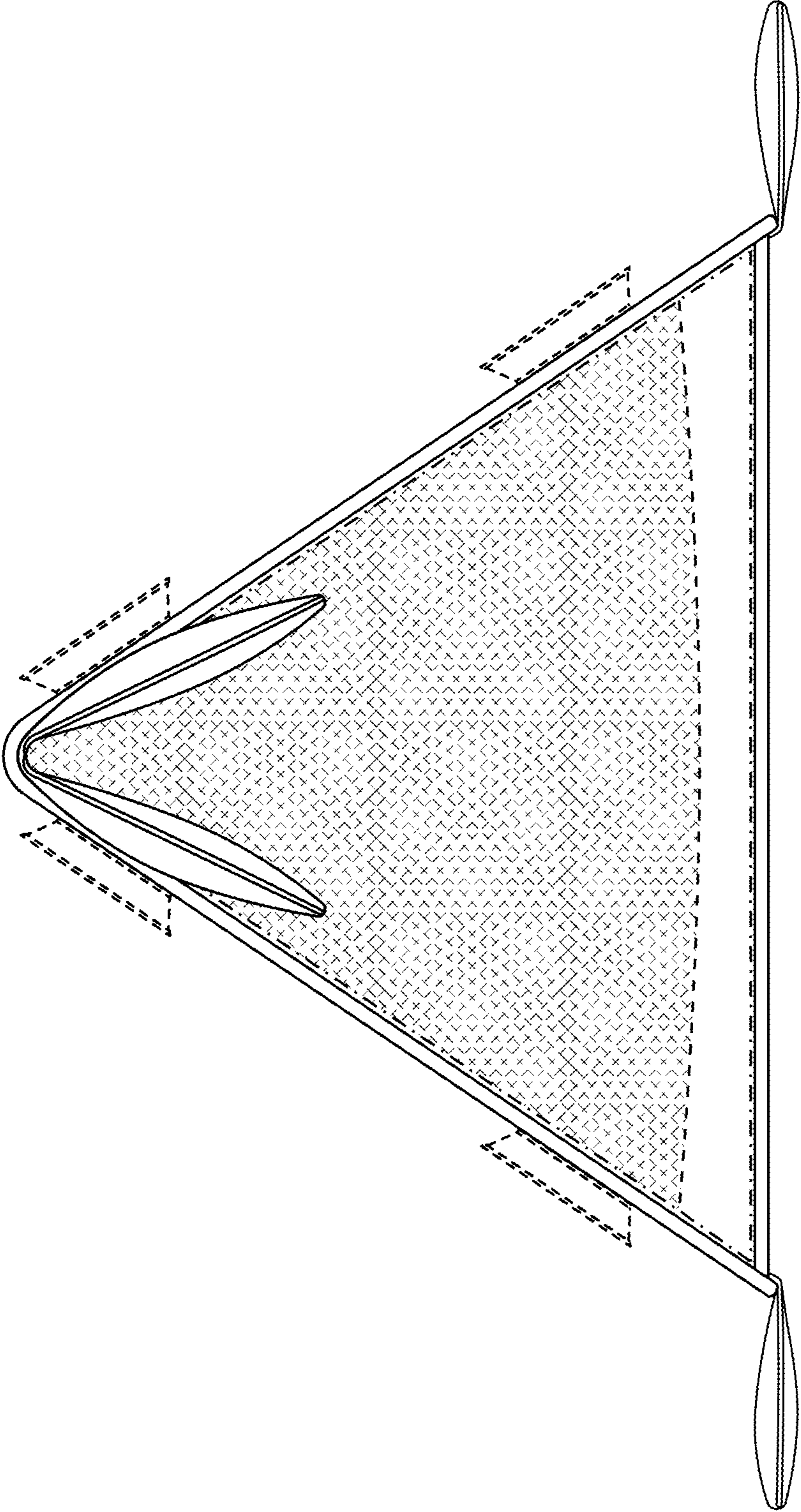


FIG. 6



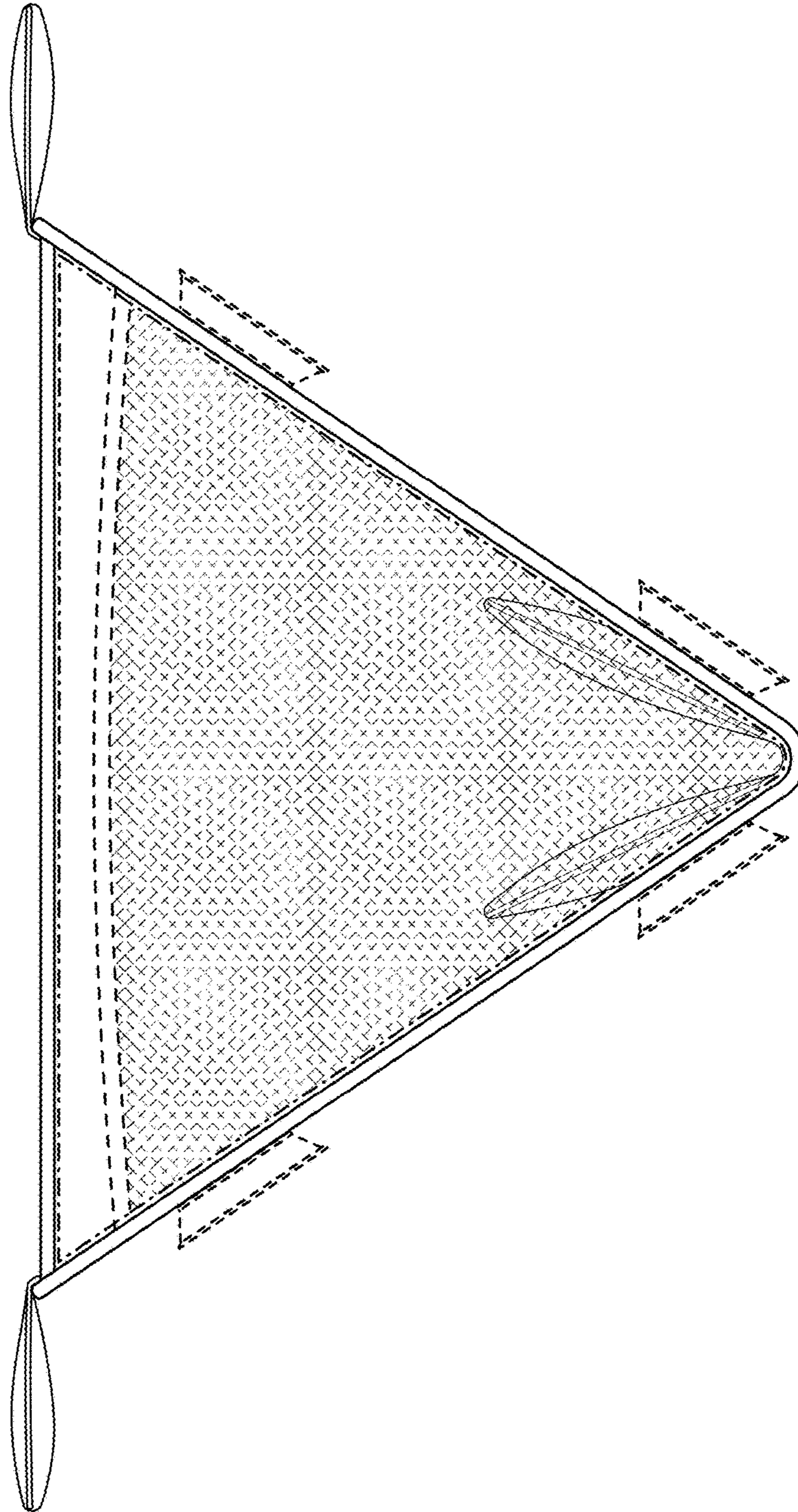


FIG. 7