



US00D824666S

(12) **United States Design Patent** (10) **Patent No.:** **US D824,666 S**  
**Carter et al.** (45) **Date of Patent:** **\*\* Aug. 7, 2018**

(54) **TOTE**

(56) **References Cited**

(71) Applicant: **Skip Hop, Inc.**, New York, NY (US)

U.S. PATENT DOCUMENTS

D580,162 S \* 11/2008 Crook ..... D3/232  
D600,909 S \* 9/2009 Crook ..... D3/232

(72) Inventors: **Chelsea Carter**, Jersey City, NJ (US);  
**George Estreich**, Long Island City, NY  
(US); **Ellen Diamant**, New York, NY  
(US)

\* cited by examiner

*Primary Examiner* — Holly H Baynham  
(74) *Attorney, Agent, or Firm* — Stephen J. Weyer, Esq.;  
Stites & Harbison, PLLC

(73) Assignee: **SKIP HOP, INC.**, New York, NY (US)

(57) **CLAIM**

The ornamental design for a tote, as shown and described.

(\*\*) Term: **15 Years**

**DESCRIPTION**

(21) Appl. No.: **29/598,713**

FIG. 1 is a top, front and right side perspective view of the tote in accordance with the first embodiment of our design. FIG. 2 is a left side elevational view thereof. FIG. 3 is a right side elevational view thereof. FIG. 4 is a bottom plan view thereof. FIG. 5 is a top plan view thereof. FIG. 6 is a front elevational view thereof; and, FIG. 7 is a rear elevational view thereof. The elements drawn as broken lines show aspects of the tote and form no part of the claimed design.

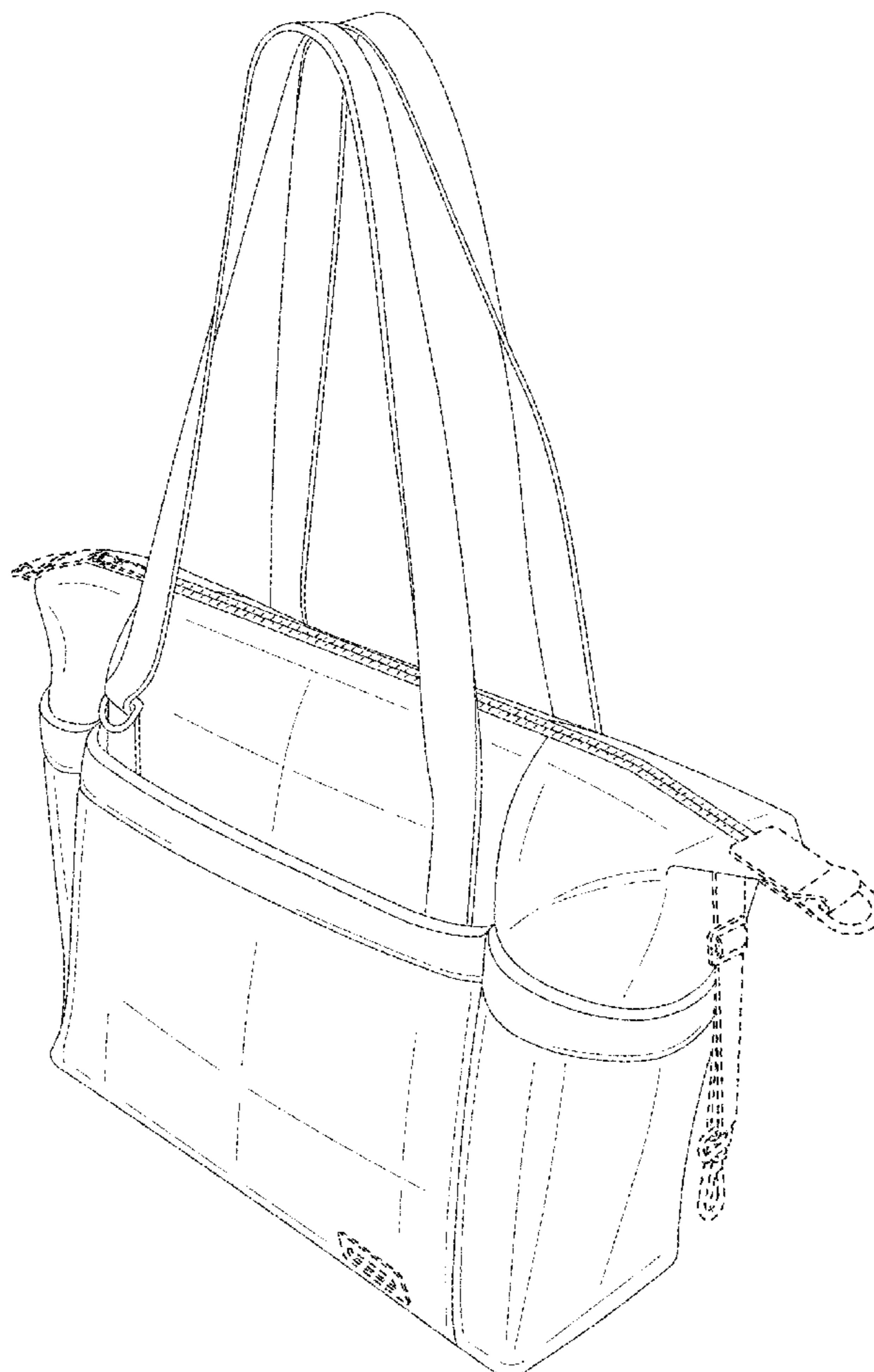
(22) Filed: **Mar. 28, 2017**

(51) **LOC (11) Cl.** ..... **03-01**

(52) **U.S. Cl.**  
USPC ..... **D3/245**

(58) **Field of Classification Search**  
USPC ..... D3/232–233, 240–243, 245–246  
CPC ..... A45C 1/024; A45C 3/08  
See application file for complete search history.

**1 Claim, 7 Drawing Sheets**



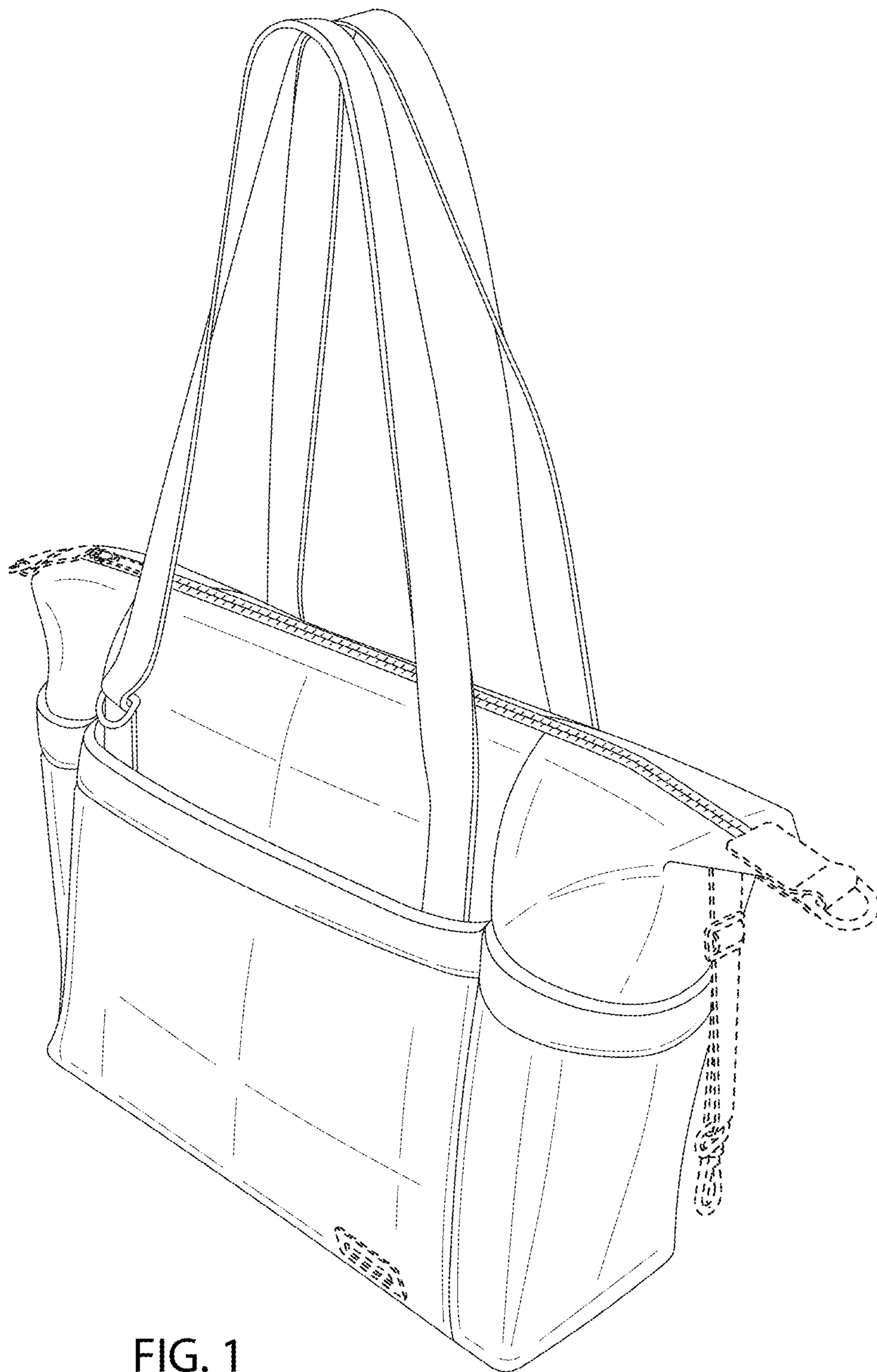


FIG. 1

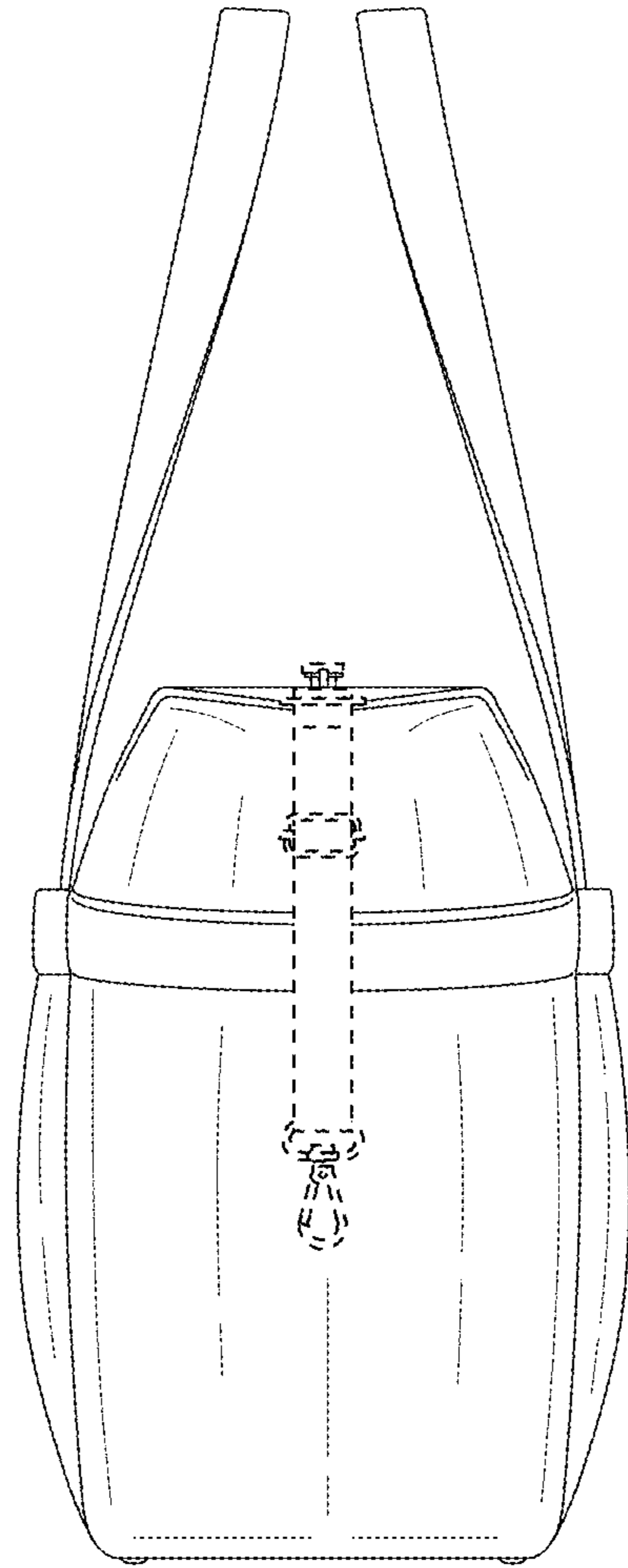


FIG. 2

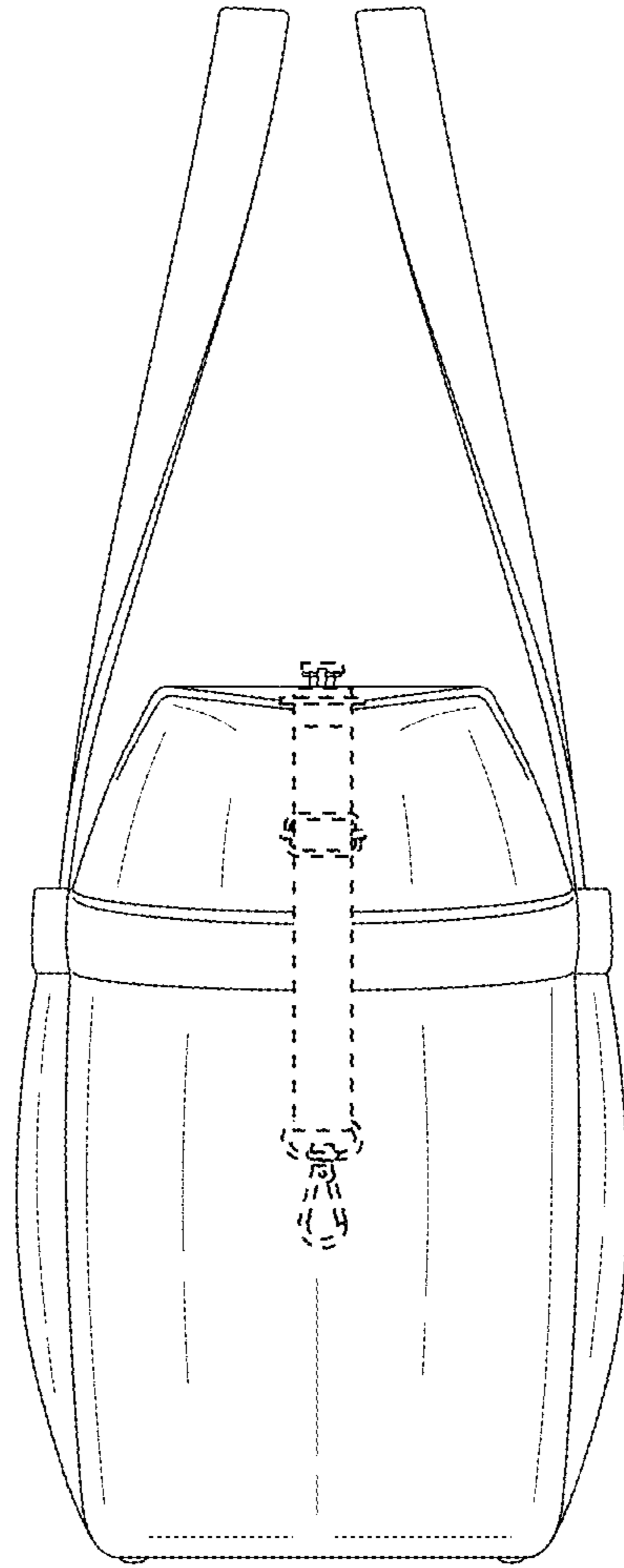


FIG. 3

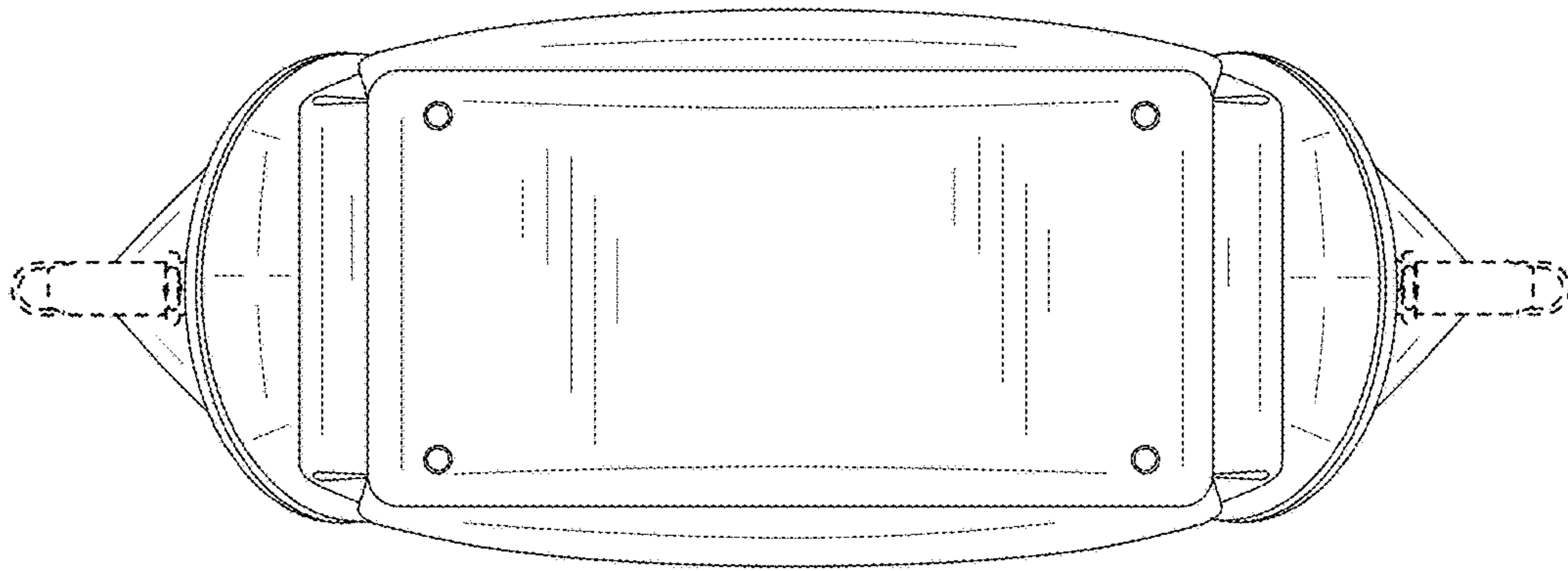


FIG. 4

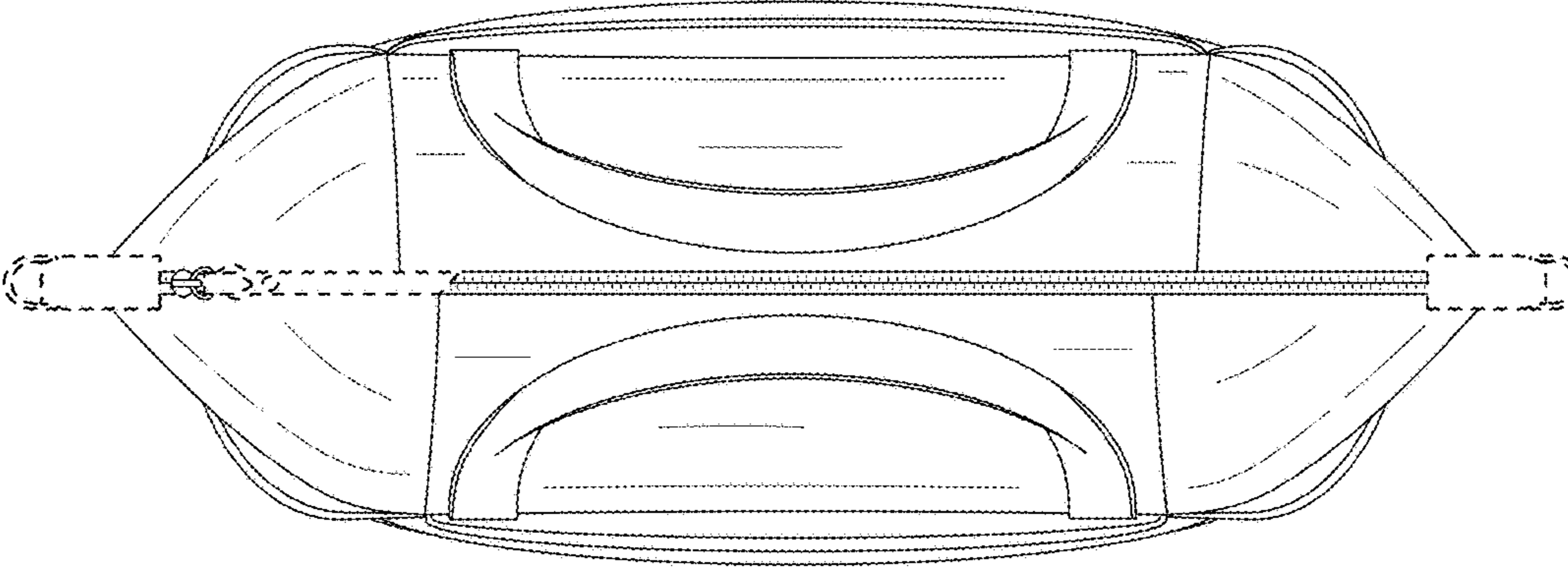


FIG. 5



FIG. 6

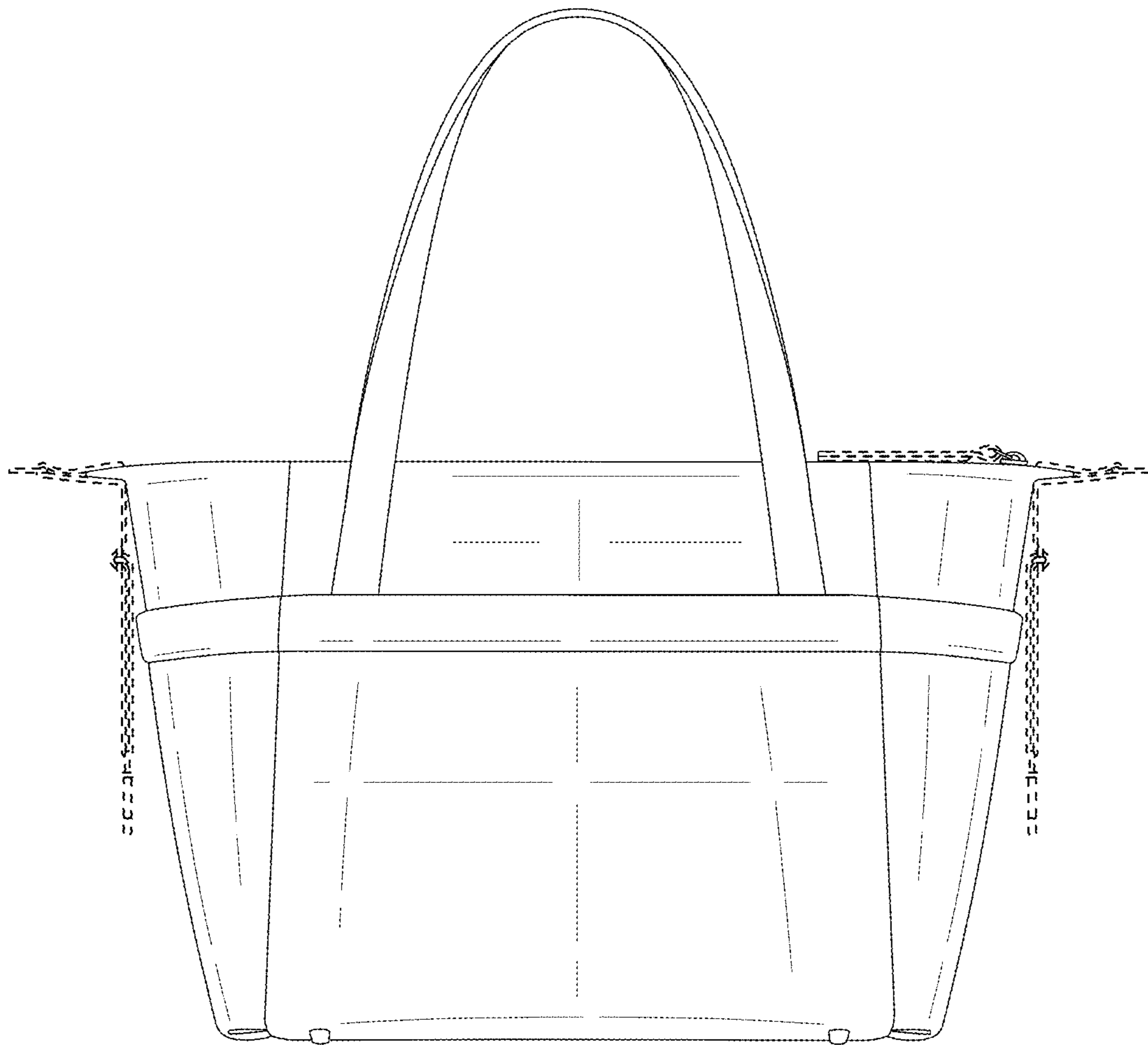


FIG. 7