



US00D824662S

(12) **United States Design Patent**
Votel et al.

(10) **Patent No.:** **US D824,662 S**
(45) **Date of Patent:** **** Aug. 7, 2018**

- (54) **SLIDE-ON ANCHOR POINT**
- (71) Applicant: **Tenacious Holdings, Inc.**, St. Paul, MN (US)
- (72) Inventors: **Thomas Votel**, Sunfish Lake, MN (US); **Ian Forte**, Crystal, MN (US); **Nathan Bohmbach**, Lakeville, MN (US); **Paul Goudreau**, Edina, MN (US)
- (73) Assignee: **Tenacious Holdings, Inc.**, St. Paul, MN (US)
- (**) Term: **15 Years**

D208,289 S *	8/1967	Feuerer	D22/147
4,936,499 A *	6/1990	Gulley	A45F 5/02 206/364
5,301,857 A *	4/1994	Green	A45F 5/02 215/365
D356,441 S *	3/1995	Scheller	D3/215
5,573,152 A *	11/1996	Arnold	B65D 23/003 224/148.4
D404,643 S *	1/1999	Walker	D3/215
D447,333 S *	9/2001	Phetthaweebancha	D3/215
D567,502 S *	4/2008	Stewart	D3/228
D608,541 S *	1/2010	Myers	D3/215
D654,739 S *	2/2012	Chin	D3/215
D675,009 S *	1/2013	Votel	D3/215
D794,946 S *	8/2017	Lord	D3/215

* cited by examiner

- (21) Appl. No.: **29/605,826**
- (22) Filed: **May 30, 2017**
- (51) **LOC (11) Cl.** **03-01**
- (52) **U.S. Cl.**
USPC **D3/228**
- (58) **Field of Classification Search**
USPC D3/228, 215; D30/161, 199; D9/517;
294/31.2; 206/364, 366, 370; 215/396,
215/399; 224/148.4, 248-249, 255, 257,
224/610, 674, 669, 677, 904
CPC A45F 5/02; A45F 5/021; A45F 2200/0566;
A45F 2200/0575; A45F 3/14; B65D
25/22; B65D 23/003; B25H 3/006; A61J
7/02; A61G 7/053
See application file for complete search history.

Primary Examiner — Catherine R Oliver-Garcia
(74) *Attorney, Agent, or Firm* — Skaar Ulbrich Macari, P.A.

(57) **CLAIM**

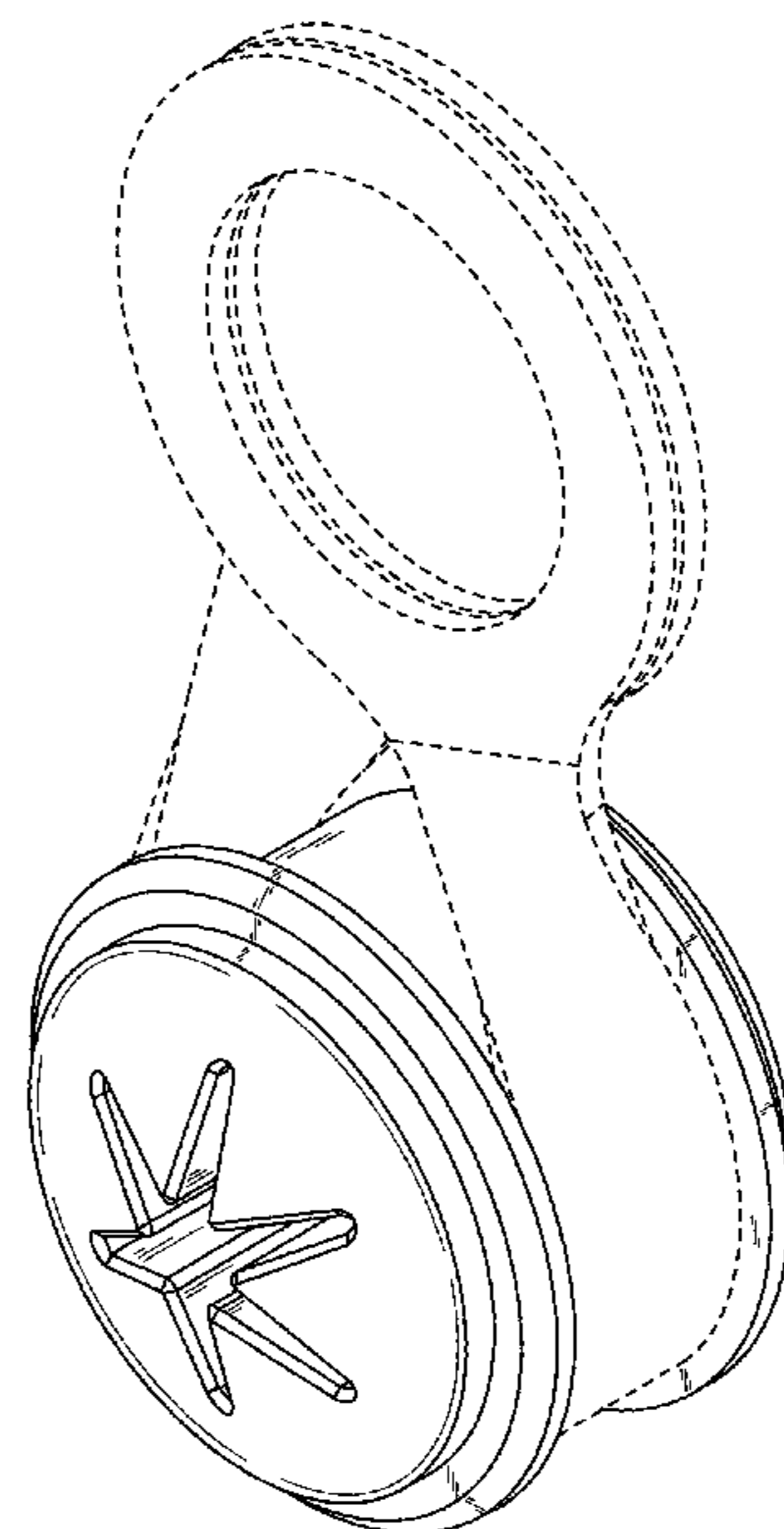
The ornamental design for a slide-on anchor point, as shown and described.

DESCRIPTION

FIG. 1 is a perspective view of a slide-on anchor point showing our new design;
FIG. 2 is a rear elevation view thereof;
FIG. 3 is a front elevation view thereof;
FIG. 4 is a left side elevation view thereof;
FIG. 5 is a right side elevation view thereof;
FIG. 6 is a top plan view thereof; and,
FIG. 7 is a bottom plan view thereof.
The broken lines shown in the figures illustrate environmental structures for illustrative purposes only and form no part of the claimed design.

- (56) **References Cited**
U.S. PATENT DOCUMENTS
3,058,708 A * 10/1962 Murray A61J 17/02
248/102
3,299,442 A * 1/1967 White A61G 7/0503
128/DIG. 24

1 Claim, 7 Drawing Sheets



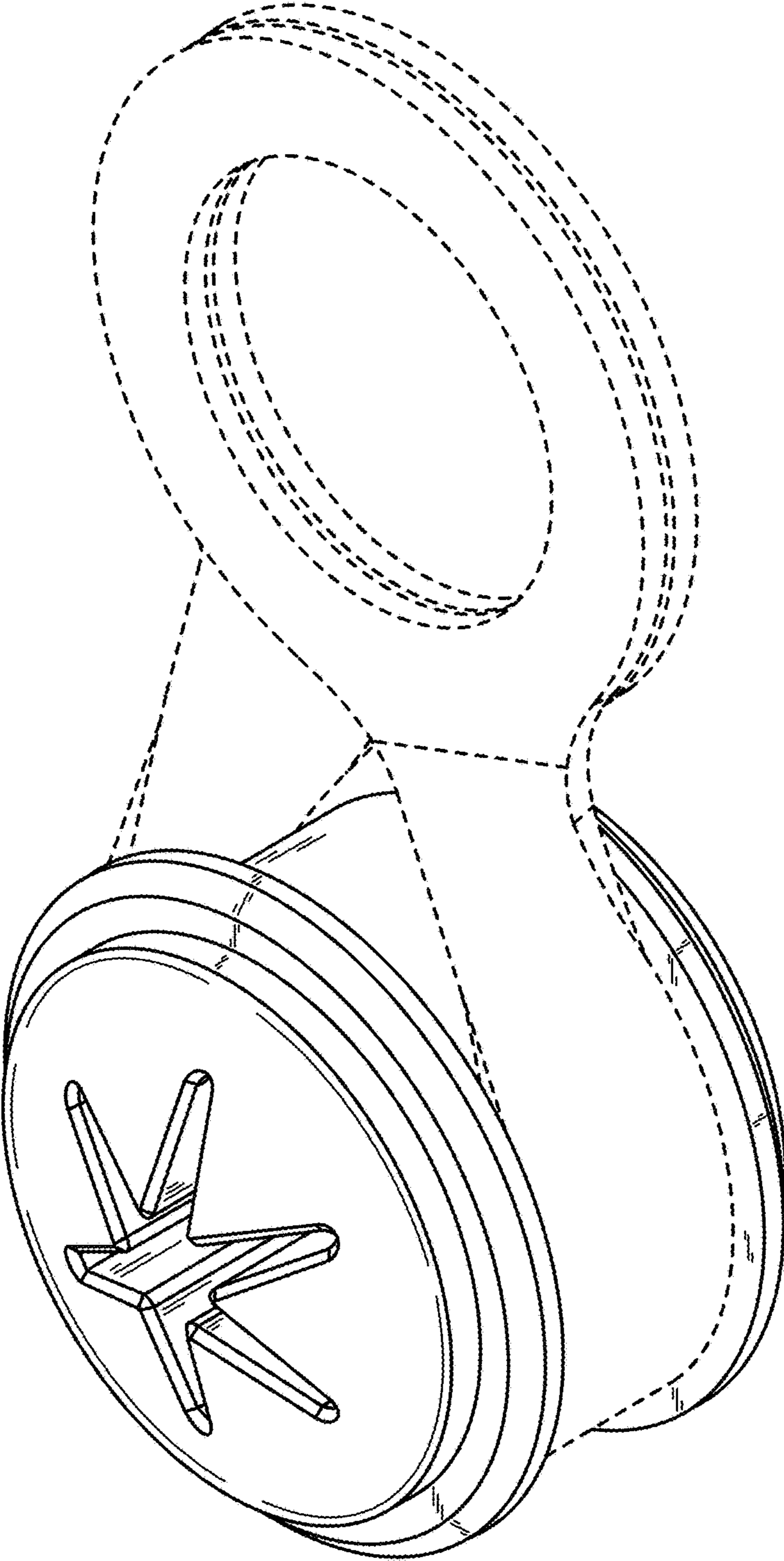


FIG. 1

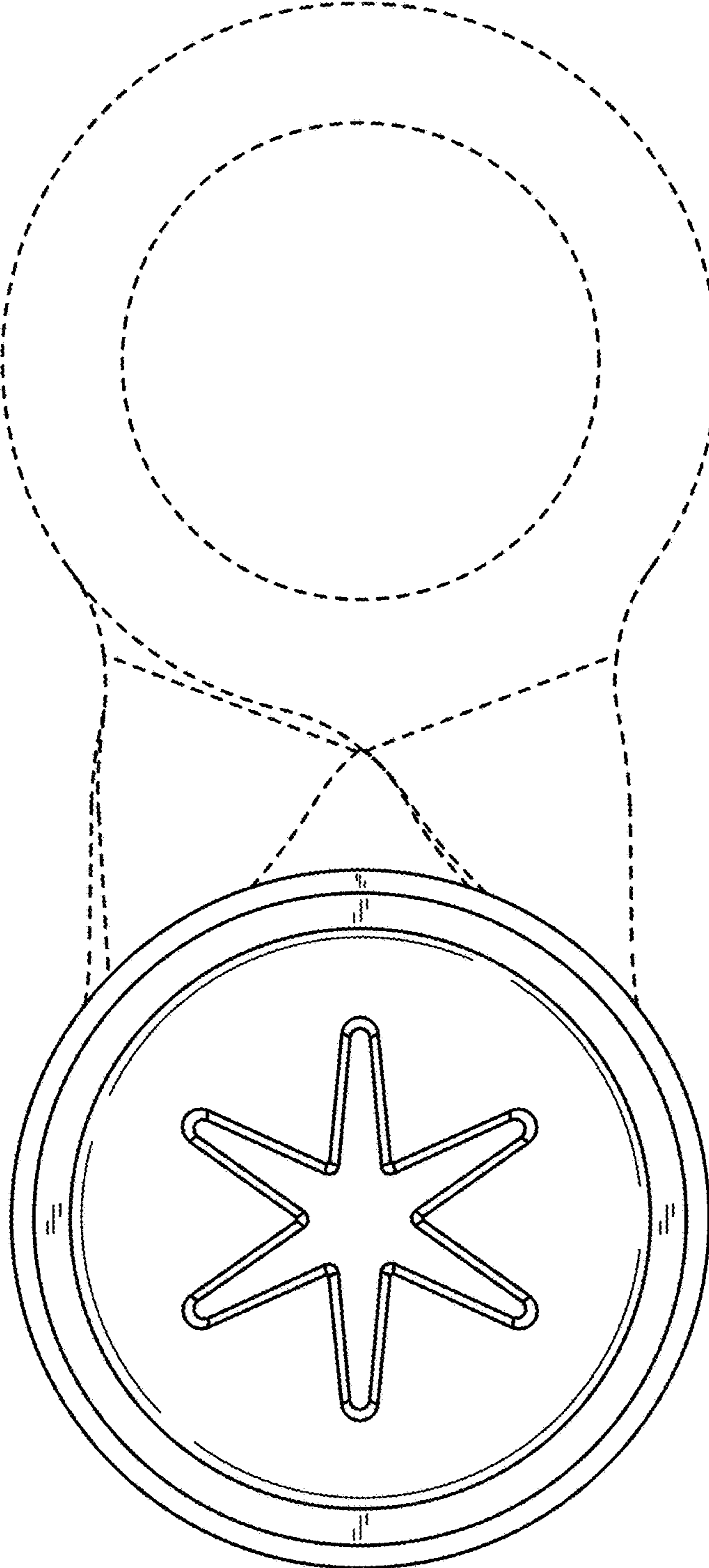


FIG. 2

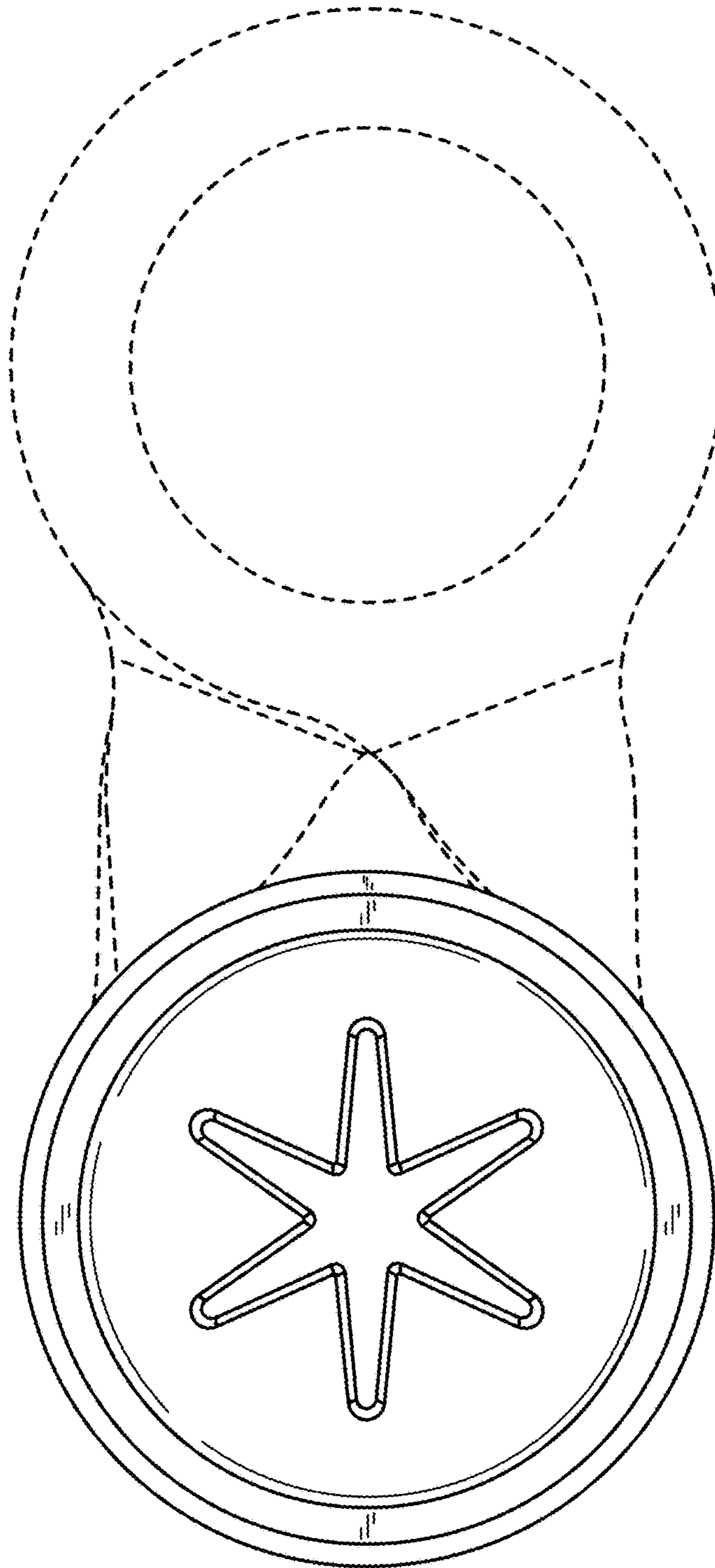


FIG. 3

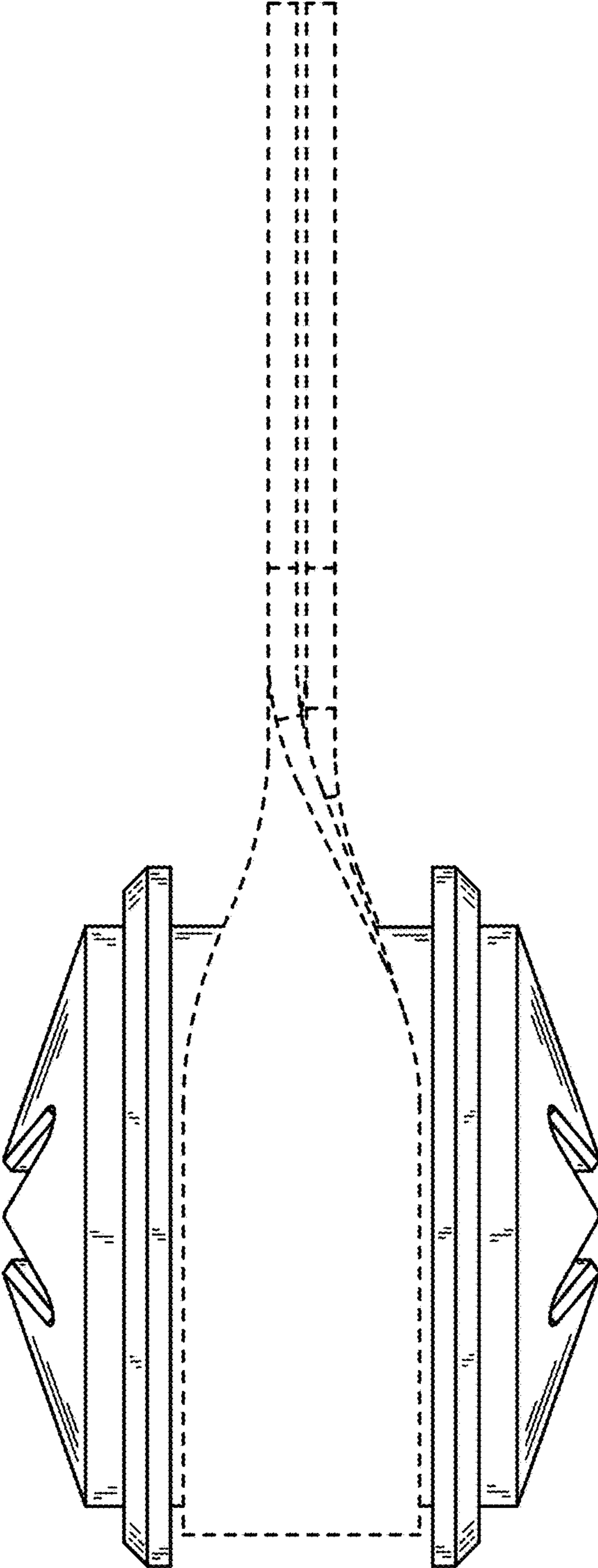


FIG. 4

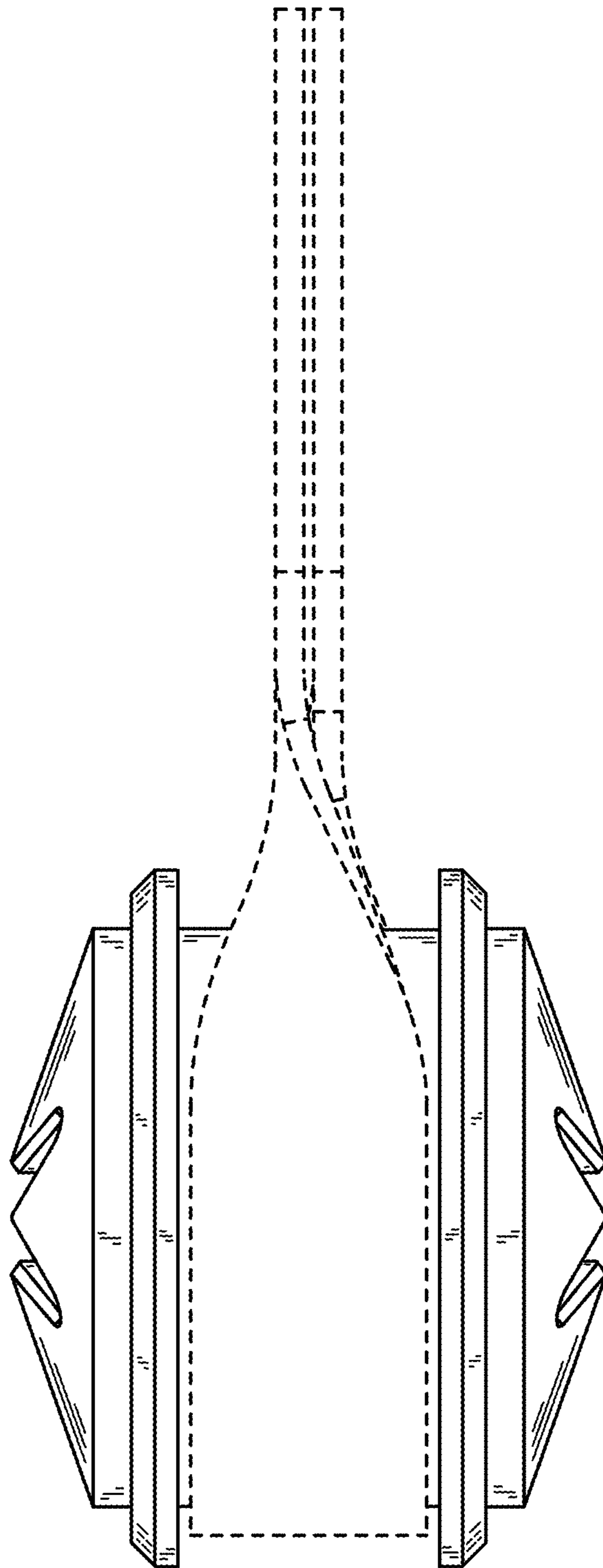


FIG. 5

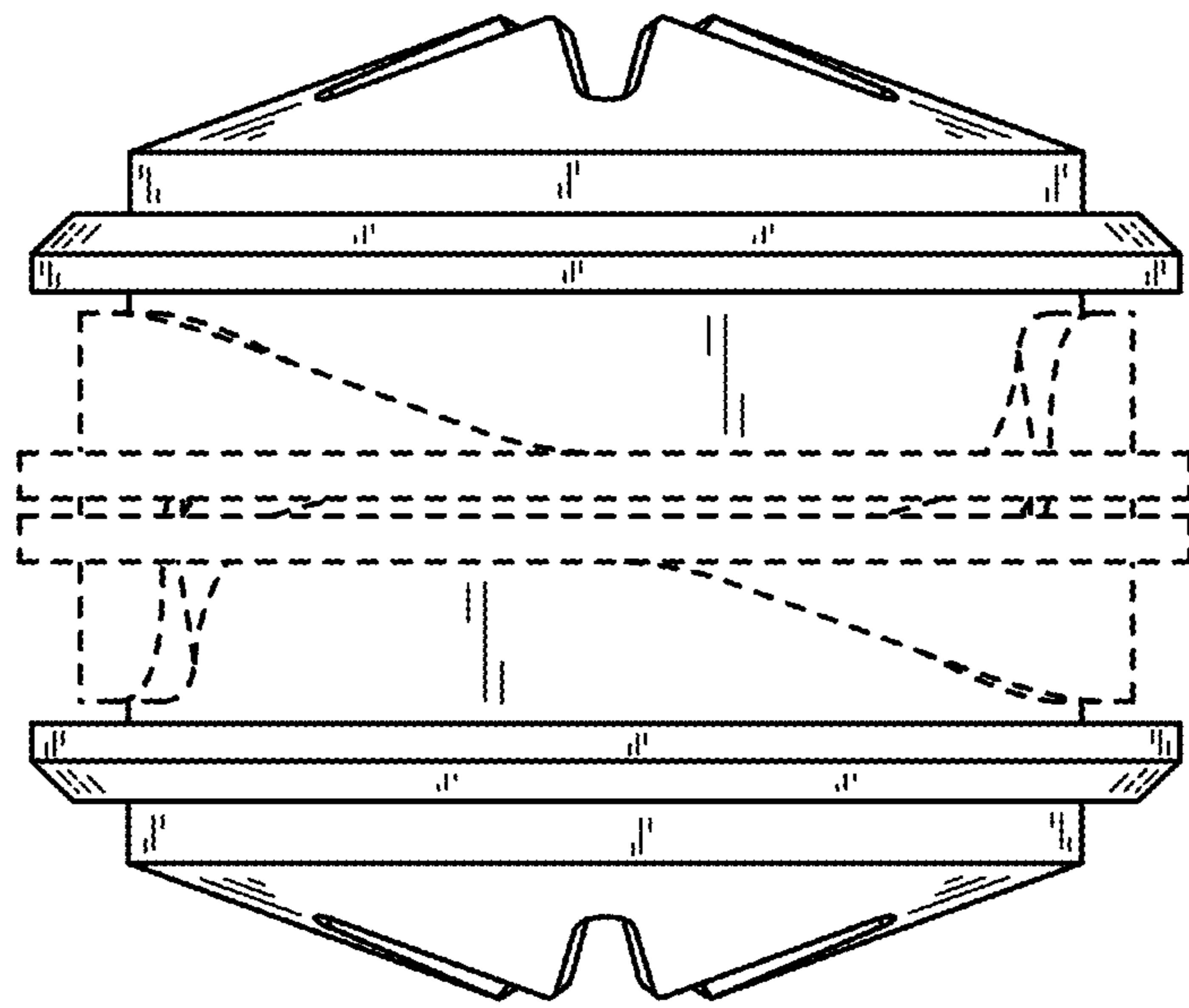


FIG. 6

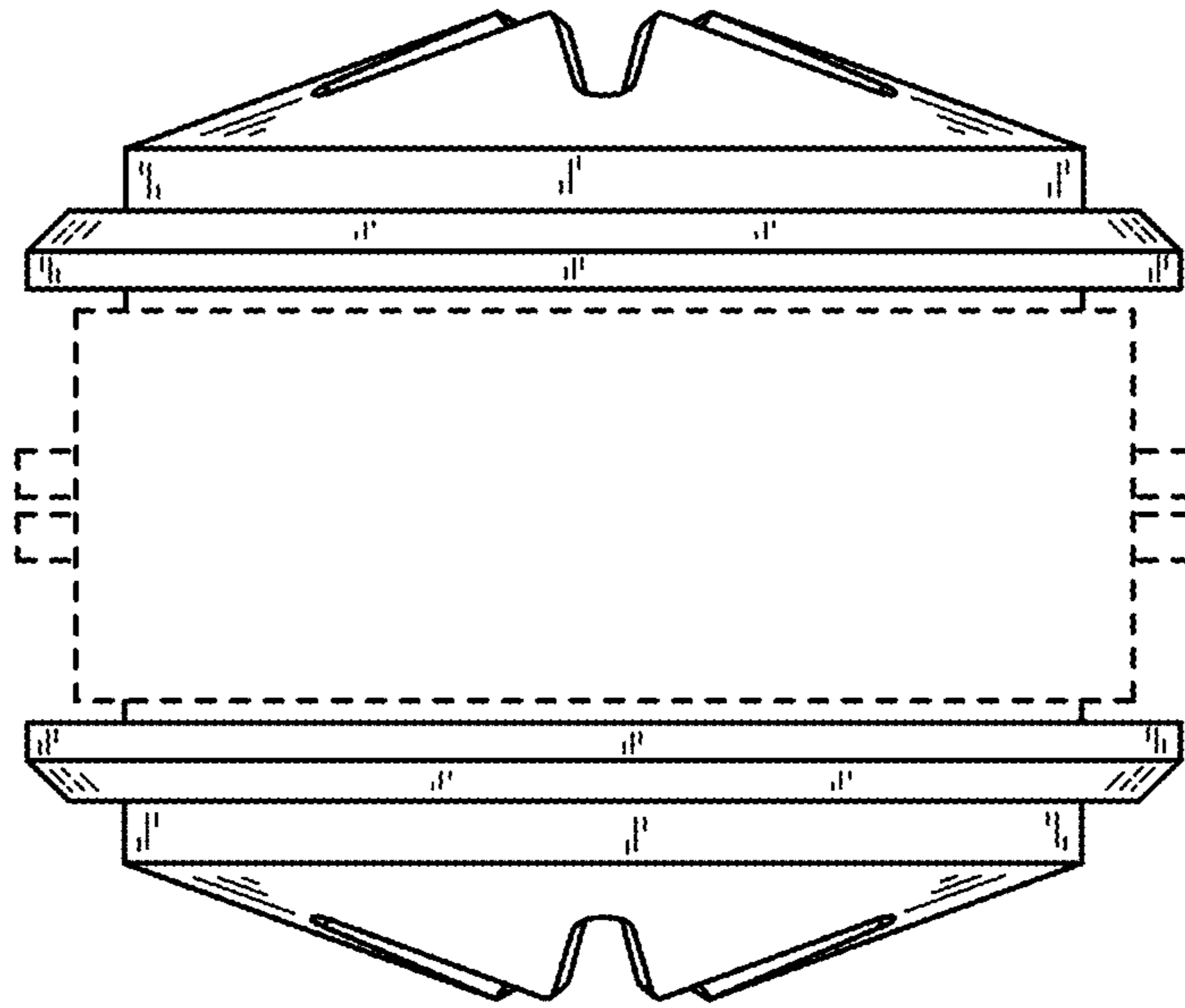


FIG. 7