



US00D824658S

(12) **United States Design Patent**
Gabbidon et al.

(10) **Patent No.:** **US D824,658 S**

(45) **Date of Patent:** **** Aug. 7, 2018**

(54) **SHOELACE SECURING STRAP**

(71) Applicants: **Nicholas C. Gabbidon**, Staten Island, NY (US); **Sean Mills**, Springfield Gardens, NY (US); **Calvin Cox**, Kew Gardens, NY (US)

(72) Inventors: **Nicholas C. Gabbidon**, Staten Island, NY (US); **Sean Mills**, Springfield Gardens, NY (US); **Calvin Cox**, Kew Gardens, NY (US)

(**) Term: **15 Years**

(21) Appl. No.: **29/553,013**

(22) Filed: **Jan. 28, 2016**

(51) **LOC (11) Cl.** **02-07**

(52) **U.S. Cl.**
USPC **D2/978**

(58) **Field of Classification Search**
USPC D2/896, 900, 901, 902, 909, 912, 929, D2/935, 943, 944, 946, 976, 978
CPC ... A43B 1/0081; A43B 3/0031; A43B 3/0078; A43C 7/005; A43C 7/00; A43C 7/02; A43C 7/04
See application file for complete search history.

(56) **References Cited**

U.S. PATENT DOCUMENTS

- 4,571,854 A * 2/1986 Edens A43B 1/0081 24/128
- 4,991,234 A * 2/1991 Greenberg A41D 20/00 2/16
- 5,671,517 A * 9/1997 Gourley A43B 3/0078 24/306
- 5,732,445 A * 3/1998 Stodolka A44B 18/00 24/115 A
- 5,845,374 A * 12/1998 Briggs A63B 71/146 2/161.2

D414,027 S * 9/1999 Andrews D2/978
6,298,524 B1 * 10/2001 Officer A44B 18/00 24/30.5 R

D453,413 S * 2/2002 Tsujino D2/978
(Continued)

OTHER PUBLICATIONS

“LaceLocker.” Found online Jan. 2, 2018 at www.lacelocker.com. Page dated Mar. 31, 2012. Retrieved from URL: <https://www.lacelocker.com/testimonials> (Year: 2012).*
(Continued)

Primary Examiner — Garth Rademaker
Assistant Examiner — Katelin G Kloberg
(74) *Attorney, Agent, or Firm* — Dunlap Bennett & Ludwig PLLC

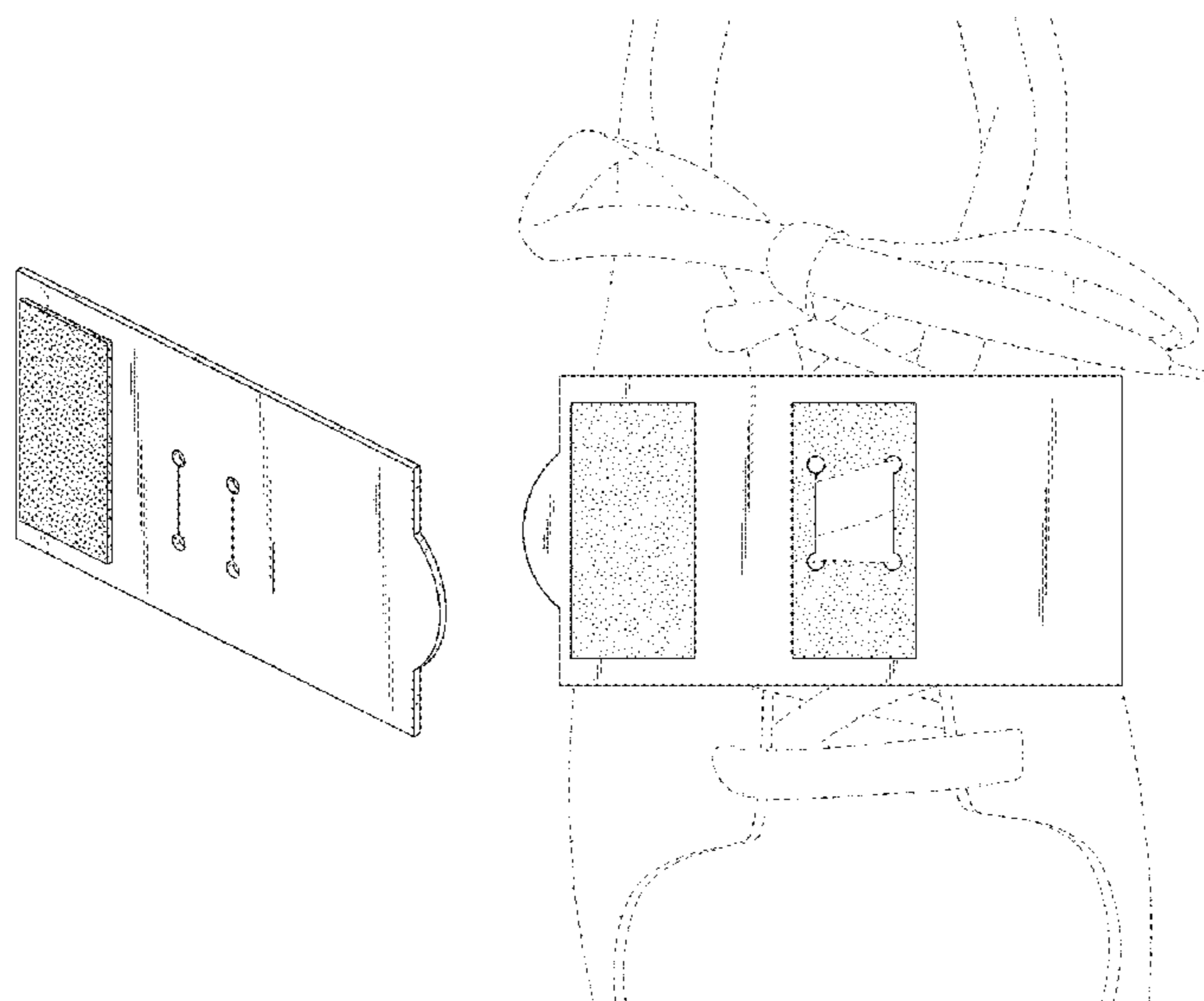
(57) **CLAIM**

The ornamental design for a shoelace securing strap, as shown and described.

DESCRIPTION

FIG. 1 is a front perspective view of a shoelace securing strap;
FIG. 2 is a front elevation view thereof;
FIG. 3 is a rear elevation view thereof;
FIG. 4 is a left side elevation view thereof;
FIG. 5 is a right side elevation view thereof;
FIG. 6 is a top plan view thereof, the bottom plan view being a mirror image thereof;
FIG. 7 is a rear elevation view shown in a first configuration of use; and,
FIG. 8 is a rear elevation view shown in a second configuration of use.
In FIGS. 1-7, the use of stippling (e.g., for the hook and loop fasteners) indicates a contrasting material with the adjacent line-shaded portion of the shoelace securing strap.
The broken lines shown in FIGS. 7 and 8 depict environmental subject matter that forms no part of the claimed design.

1 Claim, 4 Drawing Sheets



(56)

References Cited

U.S. PATENT DOCUMENTS

6,588,078 B2 * 7/2003 Witt A43B 3/0031
24/712.2
D493,029 S * 7/2004 Jacobs D2/978
6,952,864 B2 * 10/2005 Moreno A43C 7/02
24/306
D535,085 S * 1/2007 Berg D2/946
7,395,586 B1 * 7/2008 Gibson A43B 3/0078
24/712.2
7,640,640 B1 * 1/2010 Watkins A43C 7/02
24/712.3
7,650,706 B2 * 1/2010 Wartel A43B 1/0081
24/712.3
D664,348 S * 7/2012 Armstrong D2/946
8,397,357 B1 * 3/2013 Madey A43C 7/04
24/306
8,752,309 B2 6/2014 Cashel et al.
D747,866 S * 1/2016 Armstrong D2/978
9,492,615 B1 * 11/2016 Barnard A61M 5/16804
2005/0198872 A1 * 9/2005 Correa A43B 3/0031
36/136
2012/0279088 A1 * 11/2012 Cashel A43B 1/0081
36/136
2016/0058128 A1 * 3/2016 Dalton A43C 7/02
36/50.1

OTHER PUBLICATIONS

“Safe Lace: Kids and their shoes . . .” Found online Jan. 2, 2018 at safelaceindustrial.com.au. Page dated Dec. 2, 2014. Retrieved from URL: <http://safelaceindustrial.com.au/safe-lace-kids-shoes/> (Year: 2014).*

“Jogo Grips—Keeps Shoelaces Tied!” Found online Jan. 2, 2018 at www.youtube.com. Video published Nov. 10, 2015. Retrieved from URL: <https://www.youtube.com/watch?v=OW4ZiuJ7rDM> (Year: 2015).*

“Snap and Step Shoelace locks keep shoes tied!” Found online Jan. 2, 2018 at gingercasa.com. Page dated May 20, 2012. Retrieved from URL: <https://gingercasa.com/snap-n-step-shoelace-locks-keep-shoes-tied/> (Year: 2012).*

* cited by examiner

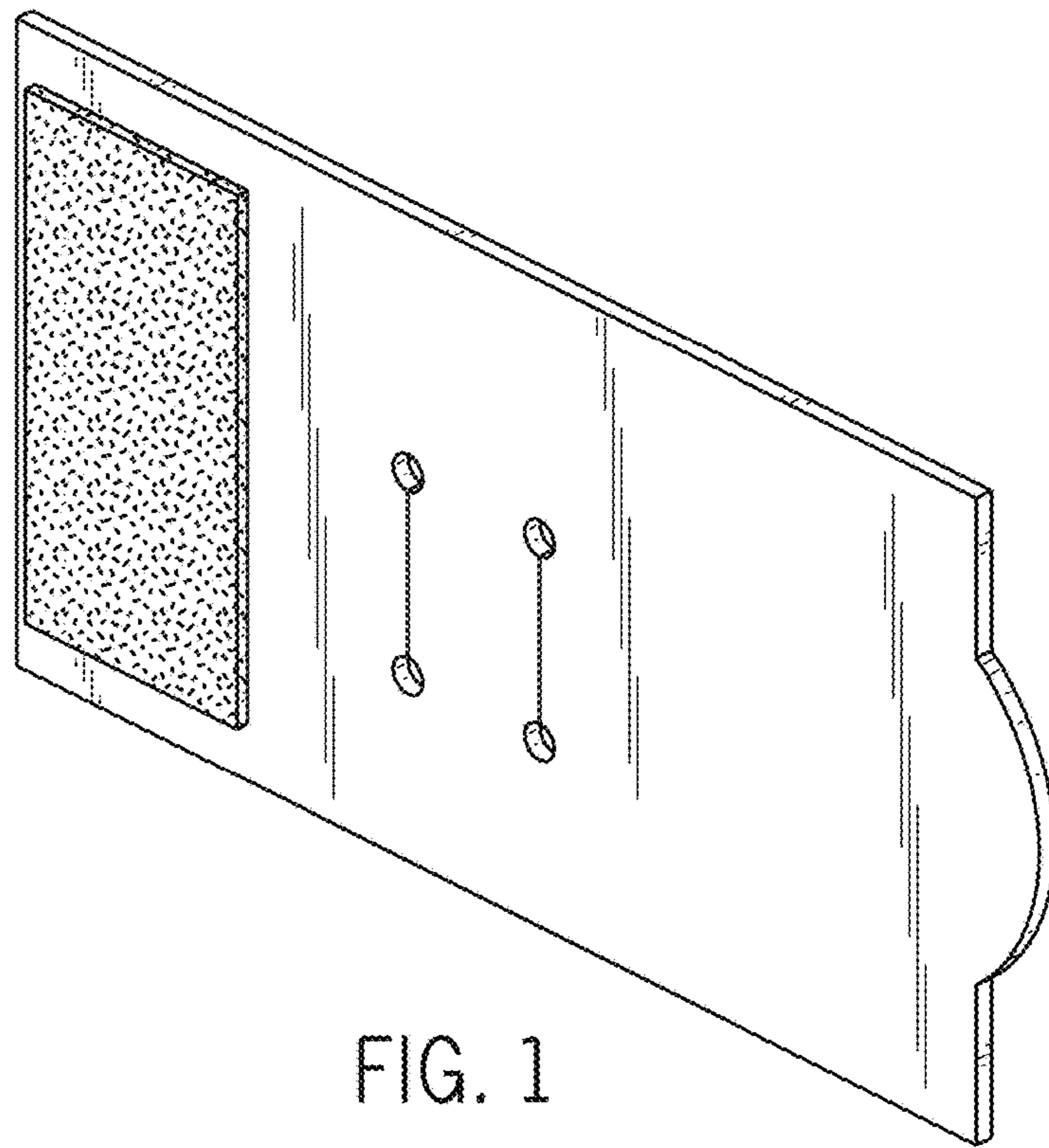


FIG. 1

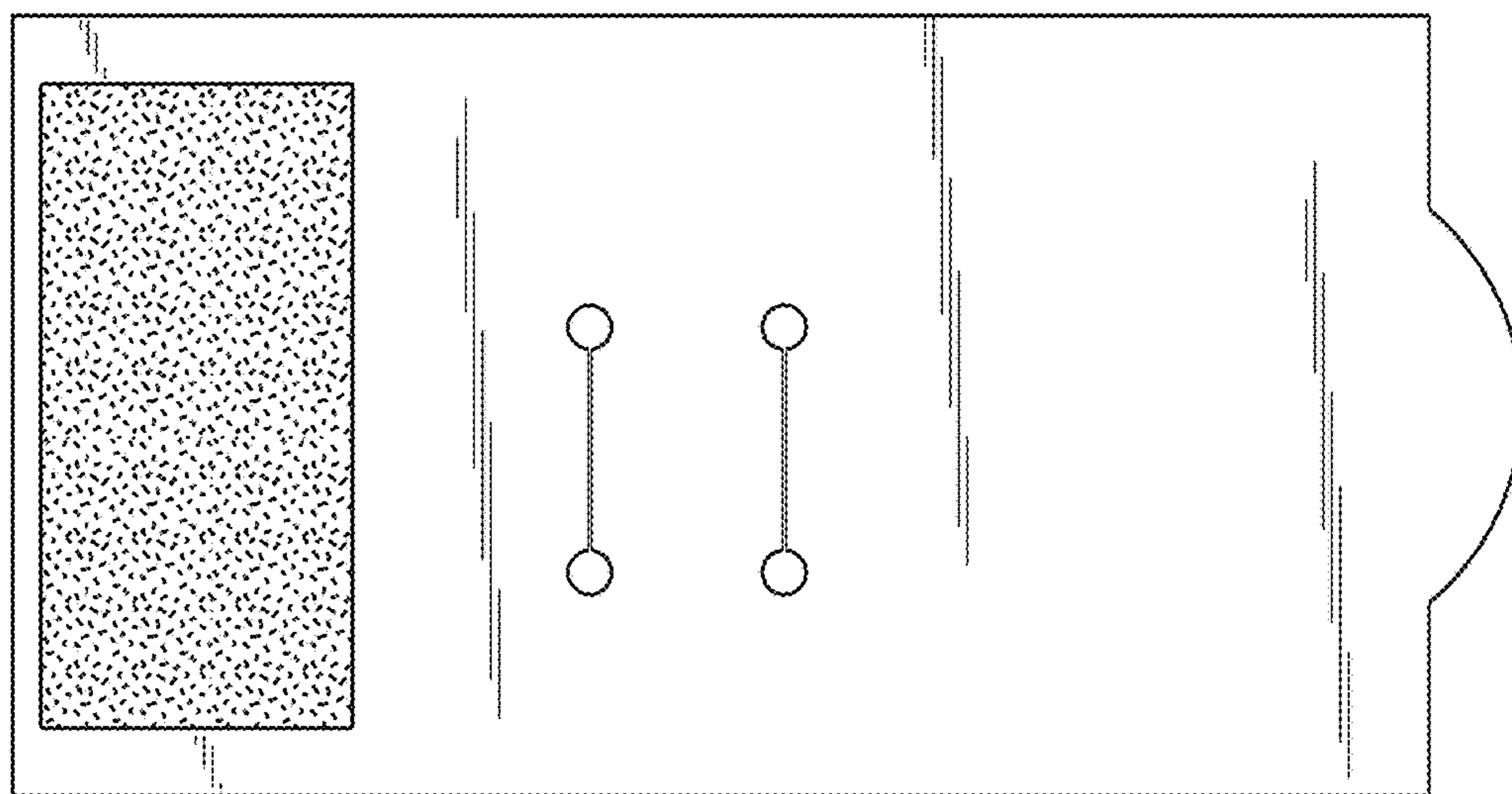


FIG. 2

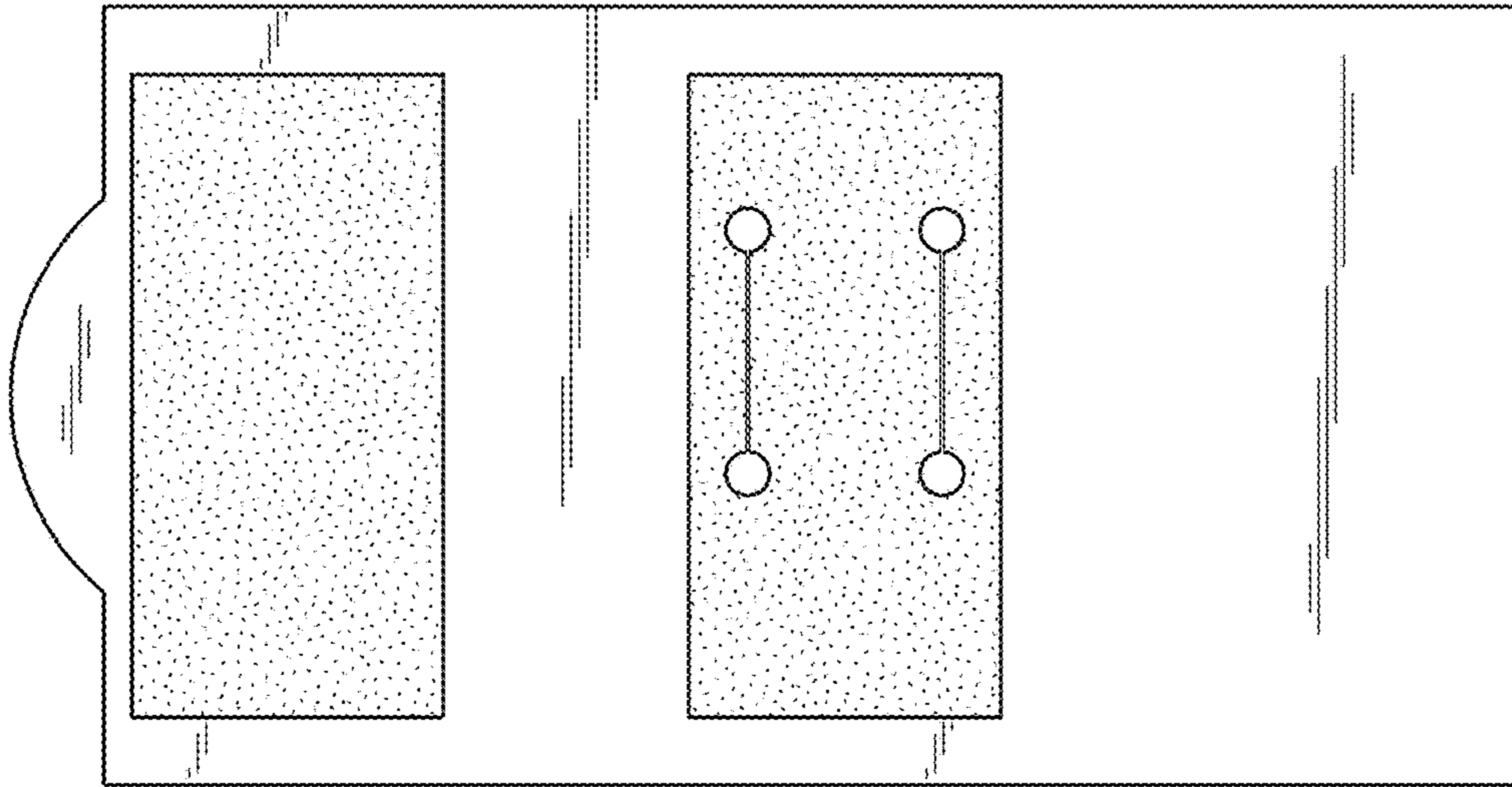


FIG. 3

FIG. 4

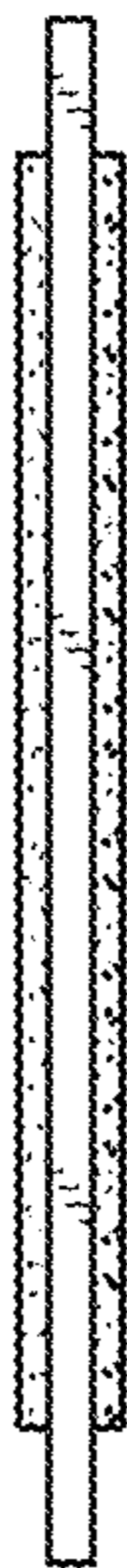


FIG. 5

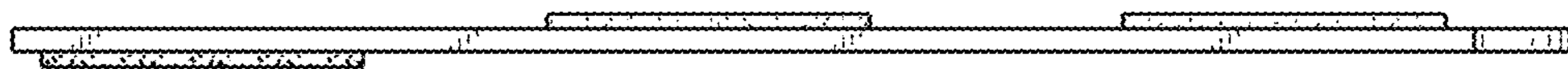
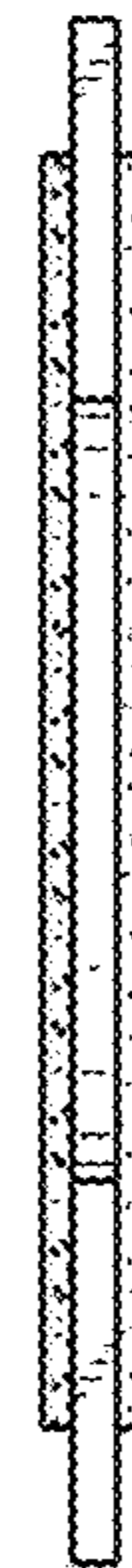


FIG. 6

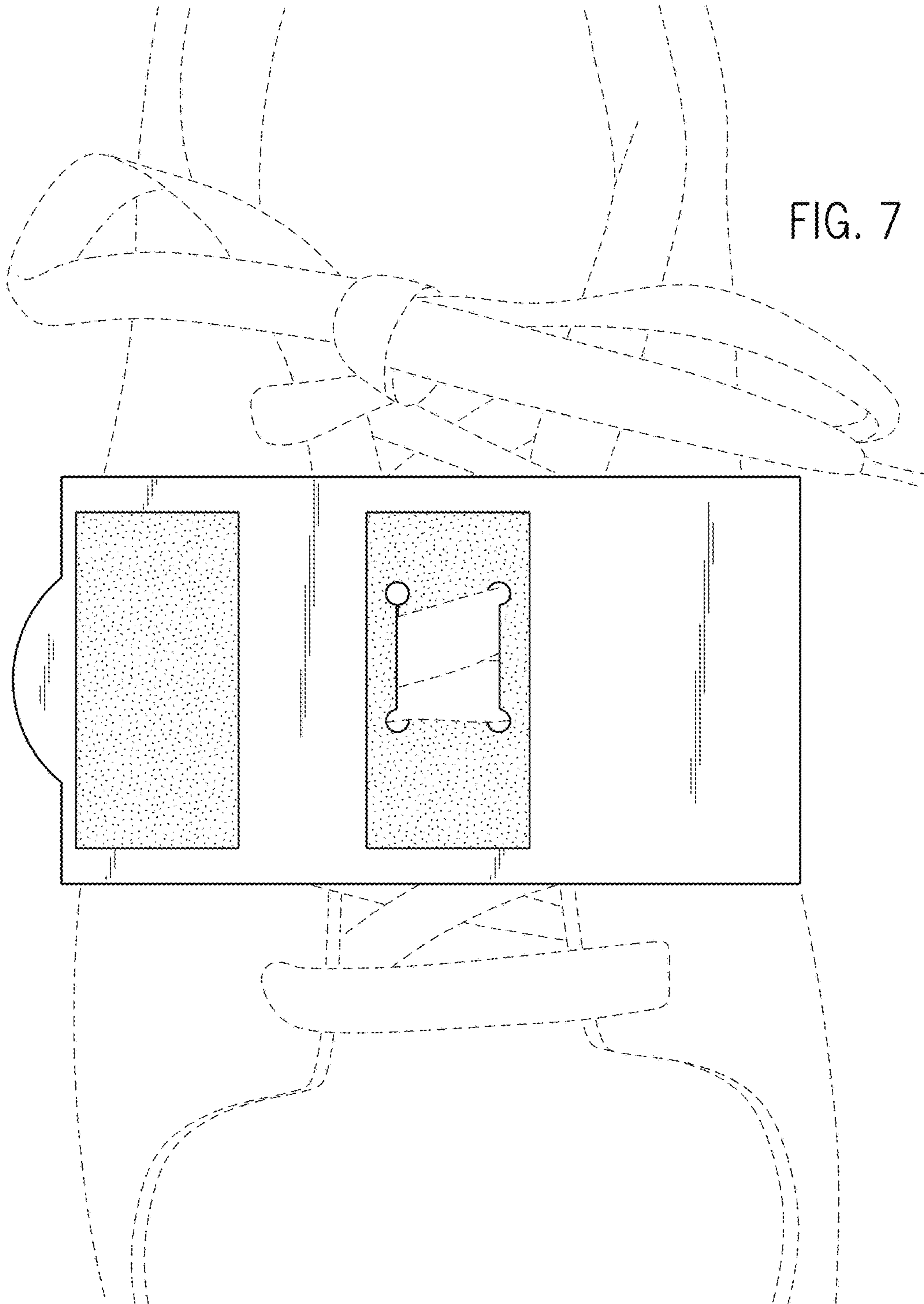


FIG. 8

