



US00D824653S

(12) **United States Design Patent**
Denney

(10) **Patent No.:** **US D824,653 S**

(45) **Date of Patent:** **** Aug. 7, 2018**

(54) **BOOT UPPER**

(71) Applicant: **Dynasty Footwear, Ltd.**, El Segundo,
CA (US)

(72) Inventor: **Jannie Denney**, Los Angeles, CA (US)

(73) Assignee: **Dynasty Footwear, Ltd.**, El Segundo,
CA (US)

(**) Term: **15 Years**

(21) Appl. No.: **29/590,903**

(22) Filed: **Jan. 13, 2017**

(51) **LOC (11) Cl.** **02-04**

(52) **U.S. Cl.**
USPC **D2/970**

(58) **Field of Classification Search**
USPC D2/896, 900, 909-911, 920, 943, 946,
D2/969, 970, 974
CPC A43B 3/02; A43B 3/12; A43B 3/16; A43B
23/02; A43B 23/26; A43B 23/00
See application file for complete search history.

(56) **References Cited**

U.S. PATENT DOCUMENTS

D569,090 S * 5/2008 Uratsu D2/970
D579,645 S * 11/2008 Guers-Neyraud D2/970

D625,095 S * 10/2010 Issler D2/911
D706,526 S * 6/2014 Mentha D2/911
D707,435 S * 6/2014 Ng D2/911
D707,925 S * 7/2014 Paleka D2/911
D727,611 S * 4/2015 Dillenbeck D2/970
D770,156 S * 11/2016 McClaskie D2/970

* cited by examiner

Primary Examiner — Holly H Baynham

Assistant Examiner — Rashida C. Walshon

(74) *Attorney, Agent, or Firm* — Joseph G. Swan, P.C.

(57) **CLAIM**

The ornamental design for a boot upper, as shown and described.

DESCRIPTION

FIG. 1 is a perspective view of a boot upper according to the present invention.

FIG. 2 is a right side elevational view of the boot upper.

FIG. 3 is a left side elevational view of the boot upper.

FIG. 4 is a rear elevational view of the boot upper; and,

FIG. 5 is a front elevational view of the boot upper.

The broken lines are solely for the purpose of illustrating unclaimed areas and form no part of the claimed design. The claimed design is intended to encompass a first embodiment that is a boot upper as shown in the drawings and a second embodiment that is the opposite matching boot upper, i.e. the mirror image of that shown.

1 Claim, 4 Drawing Sheets

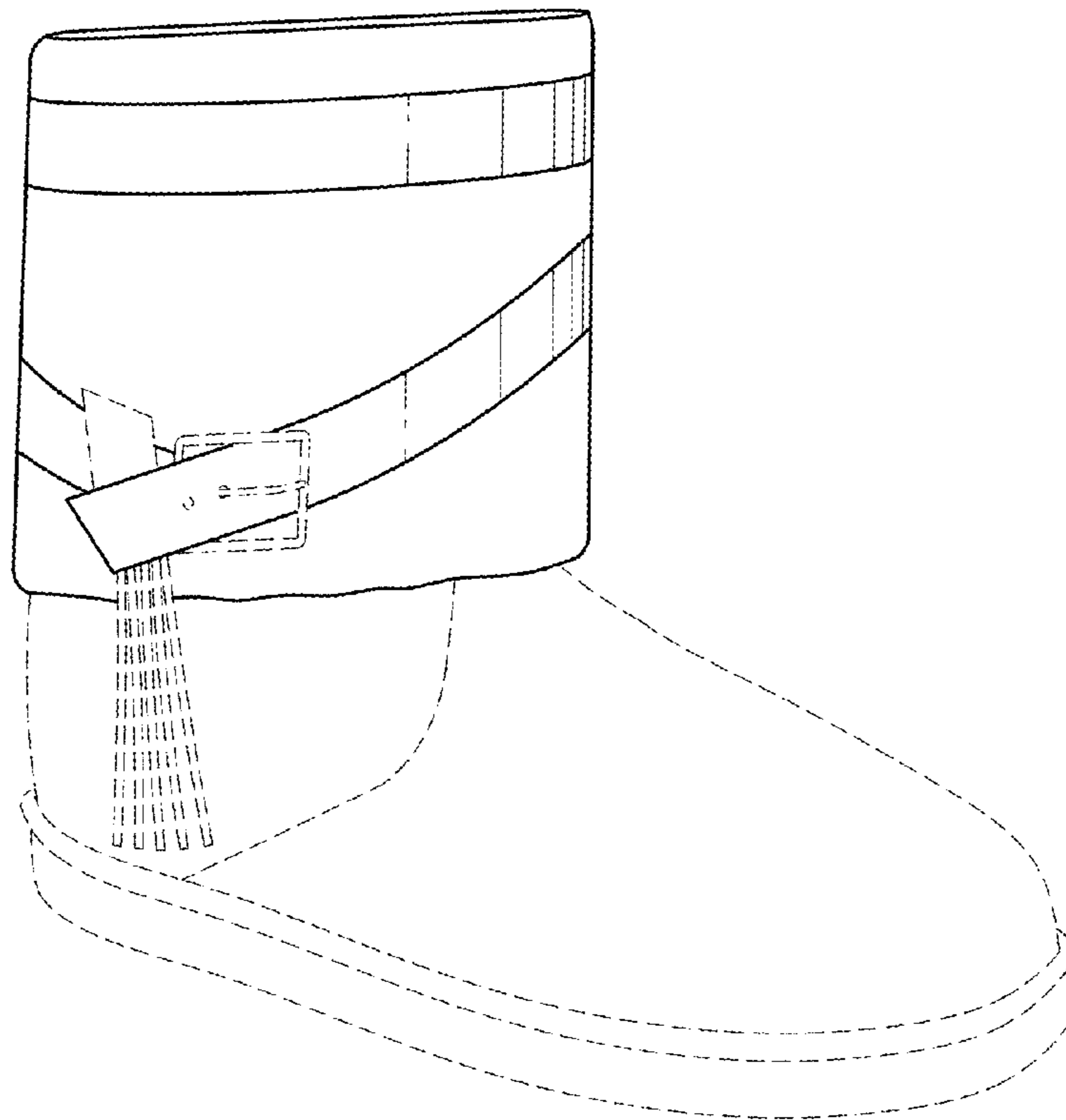
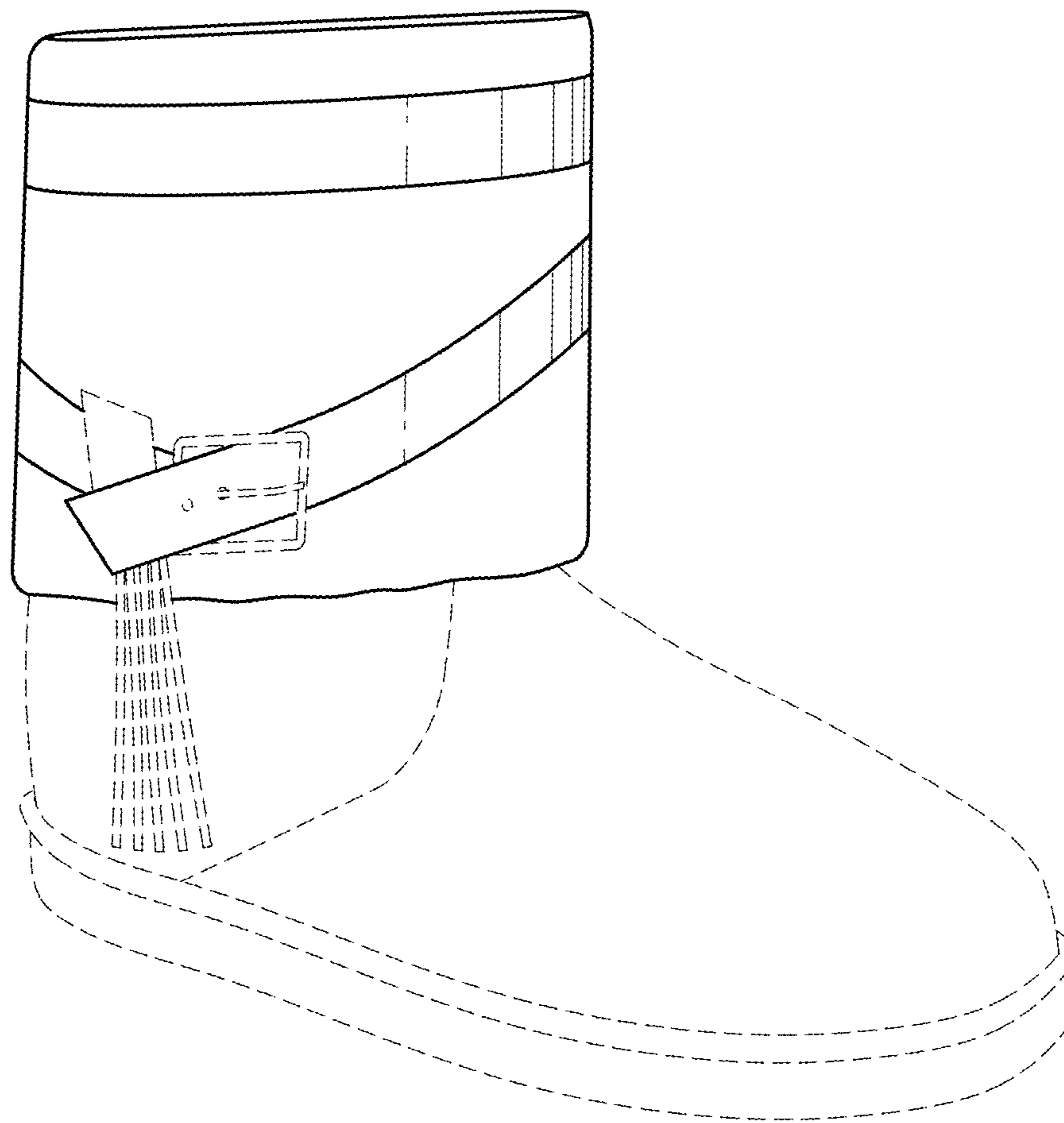


FIG. 1



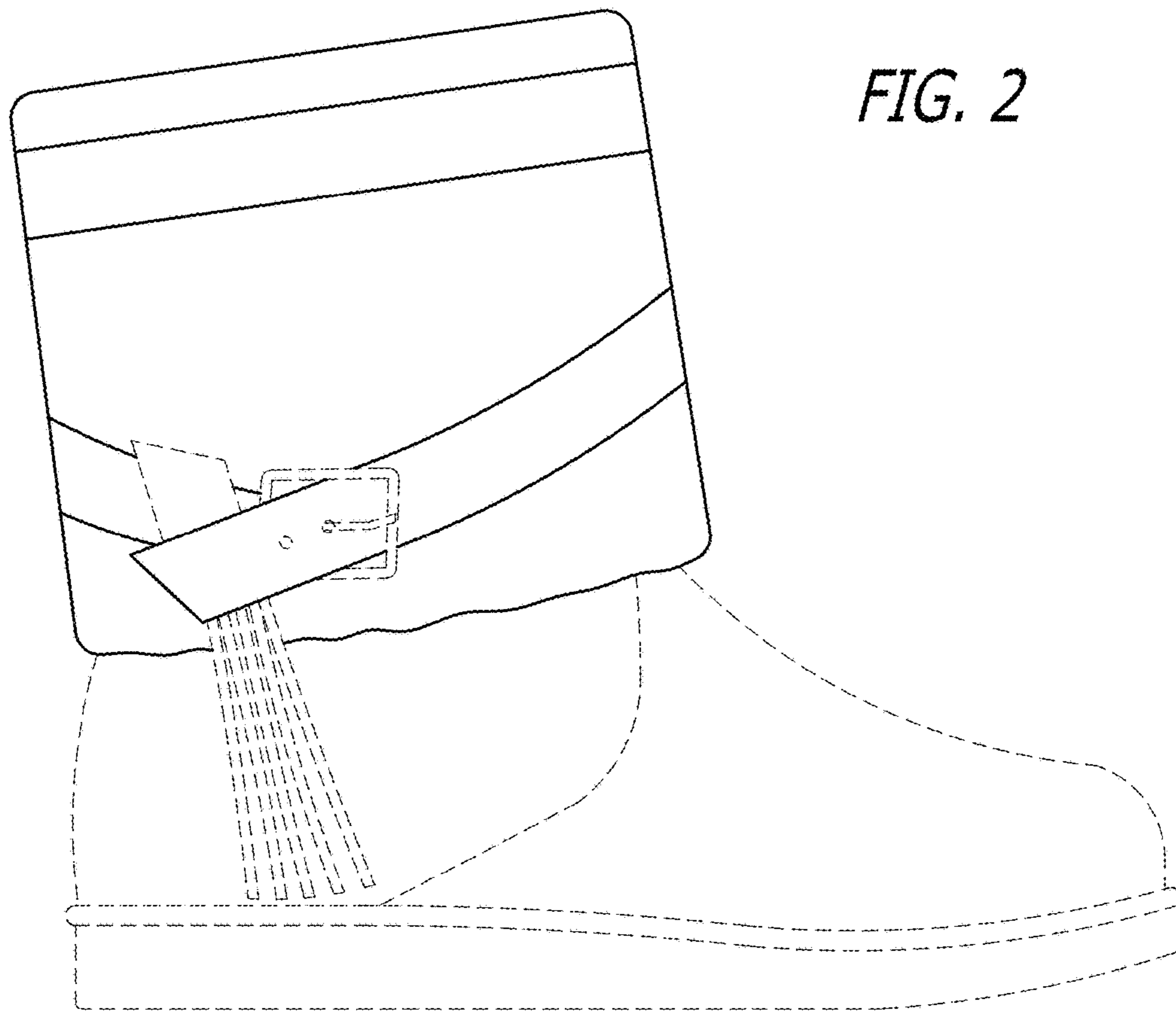


FIG. 2

FIG. 3

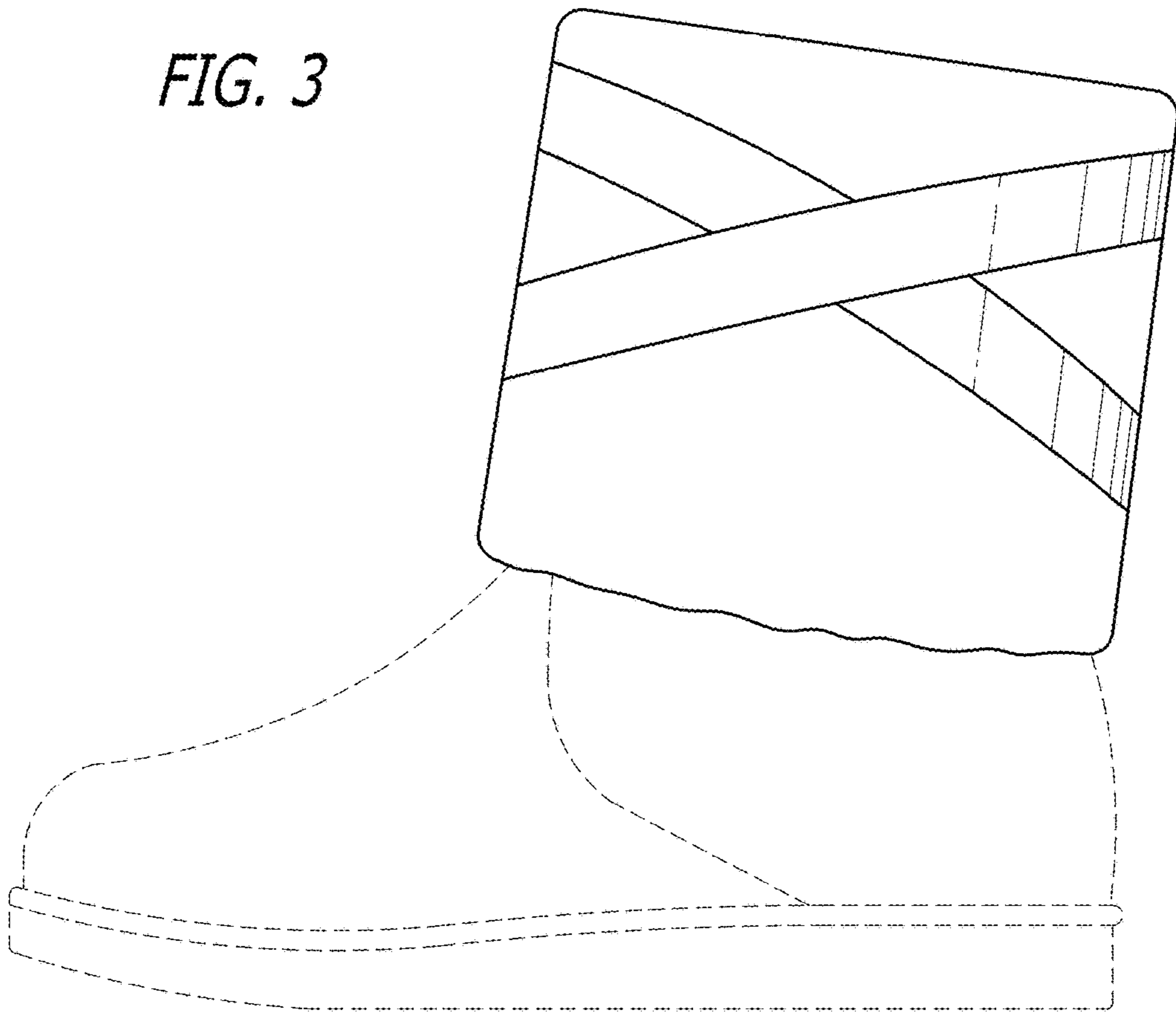


FIG. 4

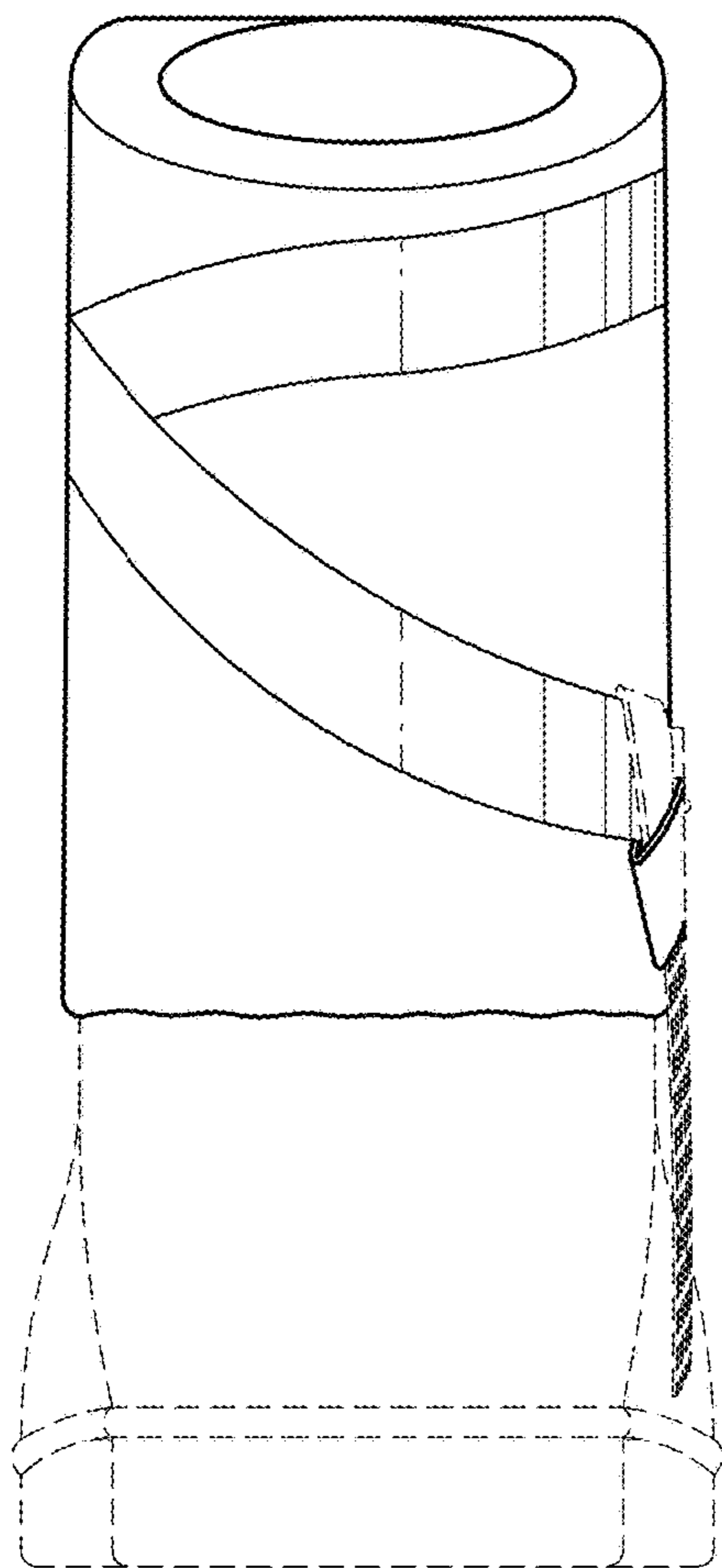


FIG. 5

