



US00D824650S

(12) **United States Design Patent**
Manasra

(10) **Patent No.:** **US D824,650 S**

(45) **Date of Patent:** **** Aug. 7, 2018**

(54) **GOLD BULLET HEEL**

(71) Applicant: **Rula Manasra**, Leesburg, VA (US)

(72) Inventor: **Rula Manasra**, Leesburg, VA (US)

(**) Term: **15 Years**

(21) Appl. No.: **29/636,672**

(22) Filed: **Feb. 9, 2018**

(51) **LOC (11) Cl.** **02-04**

(52) **U.S. Cl.**
USPC **D2/966**

(58) **Field of Classification Search**
USPC D2/896, 925-933, 939, 946, 964, 965,
D2/966; D22/116
CPC .. A43B 1/00; A43B 3/00; A43B 7/125; A43B
7/16; A43B 21/00; A43B 21/02; A43B
21/025; A43B 21/03; A43B 21/04; A43B
21/06; A43B 21/08; A43B 21/18; A43B
21/20; A43B 21/24; A43B 21/26; A43B
21/30; A43B 21/32; A43B 21/36; A43B
21/38; A43B 21/42; A43B 21/433; A43B
21/437

See application file for complete search history.

(56) **References Cited**

U.S. PATENT DOCUMENTS

D174,355 S *	3/1955	Simon	D2/966
3,086,302 A *	4/1963	Sultan	A43B 21/00 36/34 A
D199,388 S *	10/1964	Ishida	D2/966
3,200,518 A *	8/1965	Rasmussen	A43B 21/24 36/34 R
3,514,879 A *	6/1970	Frattallone	A43B 21/46 36/42
D278,094 S *	3/1985	Rousian	D2/966
487,227 A	10/1989	Smeed		
D389,221 S *	1/1998	Borg	D22/115

595,687 A	9/1999	Korsen		
D435,886 S *	1/2001	Benini	D22/100
D447,208 S *	8/2001	Benini	D22/116
D447,209 S *	8/2001	Benini	D22/116
D563,638 S *	3/2008	Guers-Neyrud	D2/965
D580,642 S *	11/2008	Guers-Neyraud	D2/965
D580,643 S *	11/2008	Guers-Neyraud	D2/965
D646,179 S *	10/2011	Jansen	D22/116
D724,303 S *	3/2015	Manasra	D2/966
D744,220 S *	12/2015	Slimane	D2/966
D759,189 S *	6/2016	Pederson	D22/116
D768,802 S *	10/2016	Bowers	D22/116
D780,876 S *	3/2017	Boatright	D22/116
D781,394 S *	3/2017	Bowers	D22/116
D792,077 S *	7/2017	Denet	D2/966
D794,284 S *	8/2017	Francis	D2/915

* cited by examiner

Primary Examiner — Elizabeth J Oswecki
(74) *Attorney, Agent, or Firm* — Michael L. Greenberg,
Esq.; Greenberg & Lieberman, LLC

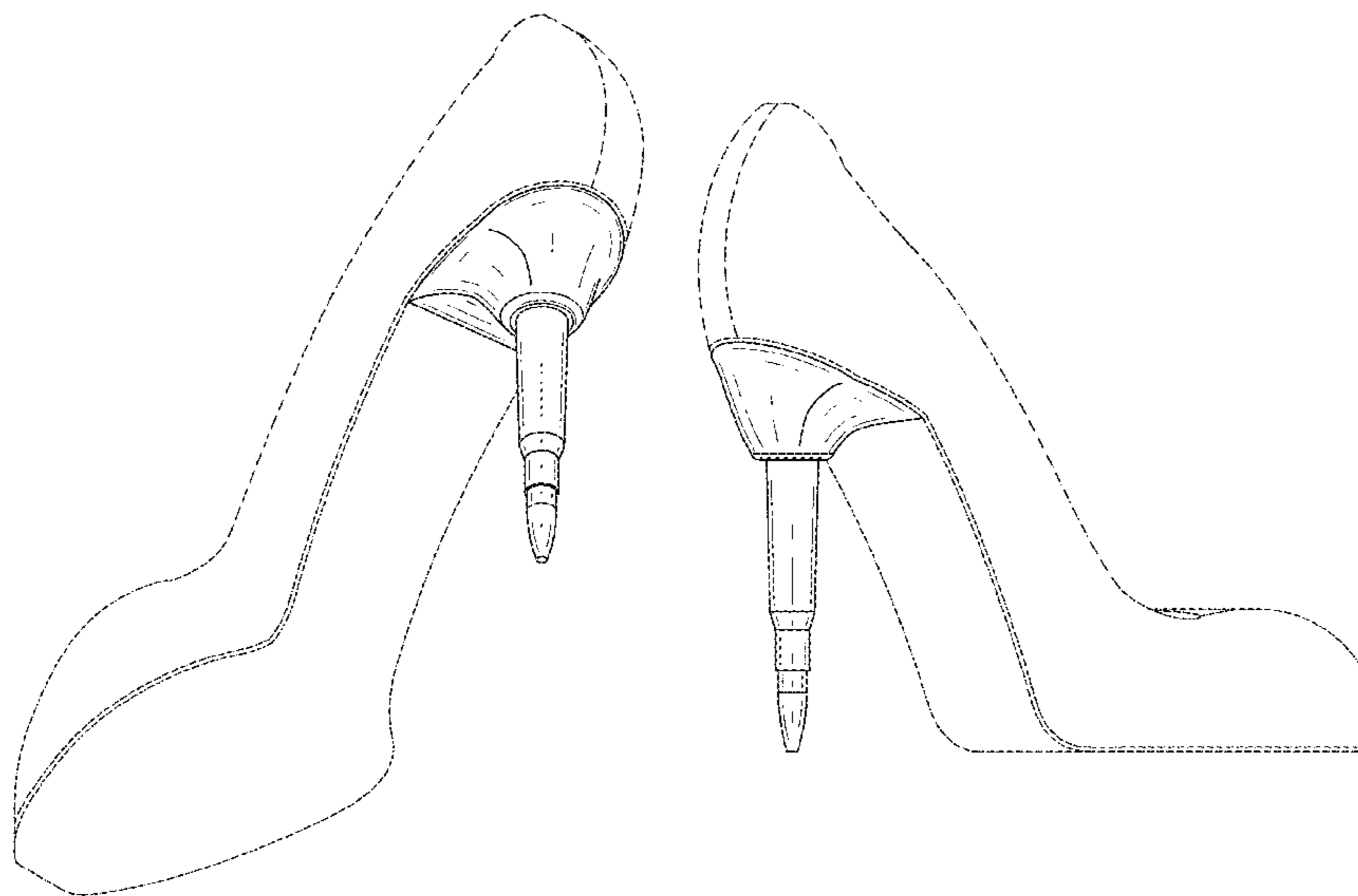
(57) **CLAIM**

The ornamental design for a gold bullet heel, as shown and described.

DESCRIPTION

FIG. 1 is a left rear perspective view of a gold bullet heel showing my new design;
FIG. 2 is a right rear perspective view thereof;
FIG. 3 is a top view thereof;
FIG. 4 is a bottom view thereof;
FIG. 5 is a front view thereof;
FIG. 6 is a rear view thereof;
FIG. 7 is a left side view thereof; and,
FIG. 8 is a right side view thereof.
The broken lines shown in the drawings represent portions of the gold bullet heel that form no part of the claimed design.

1 Claim, 4 Drawing Sheets



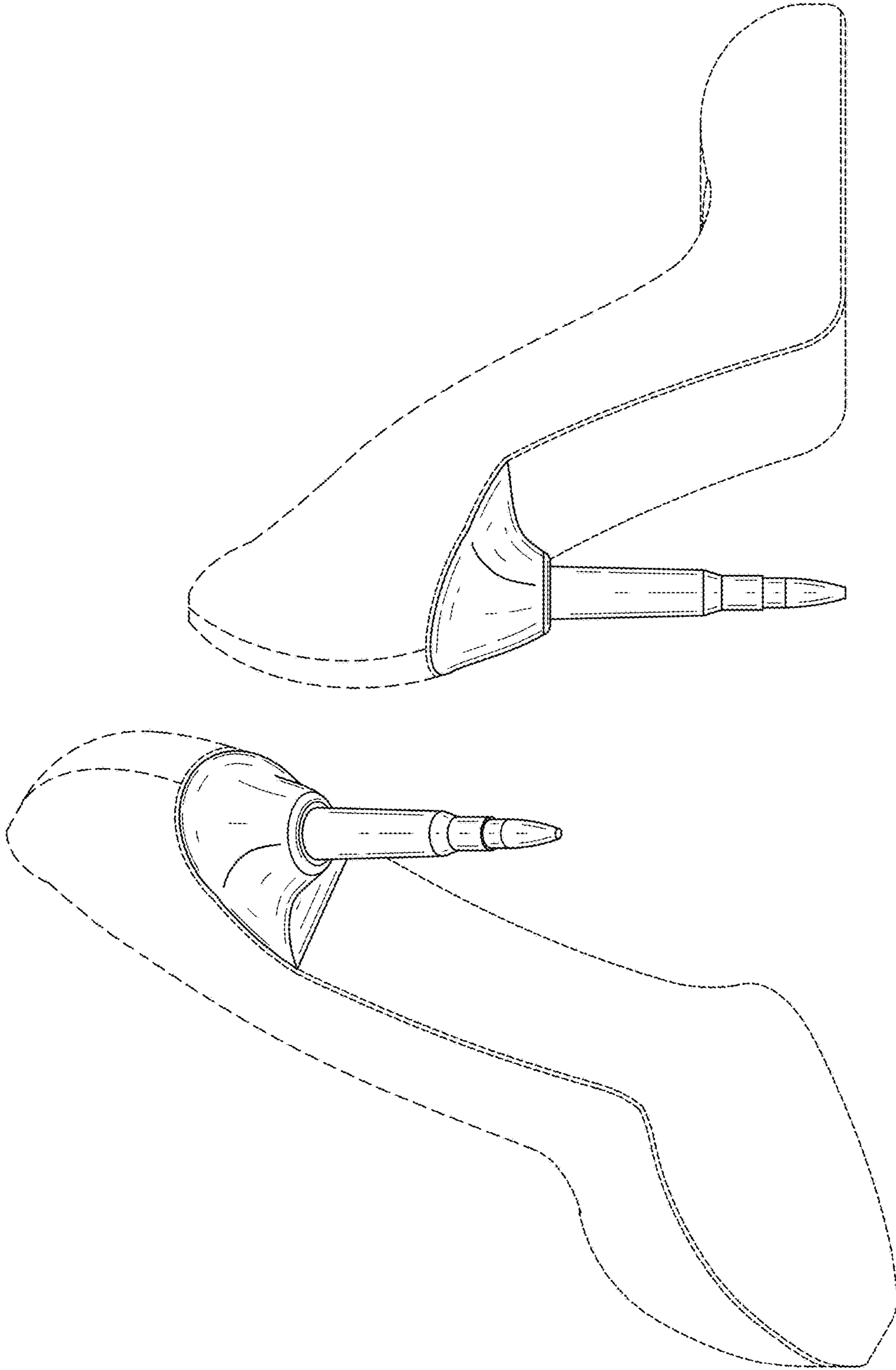


FIG. 2

FIG. 1

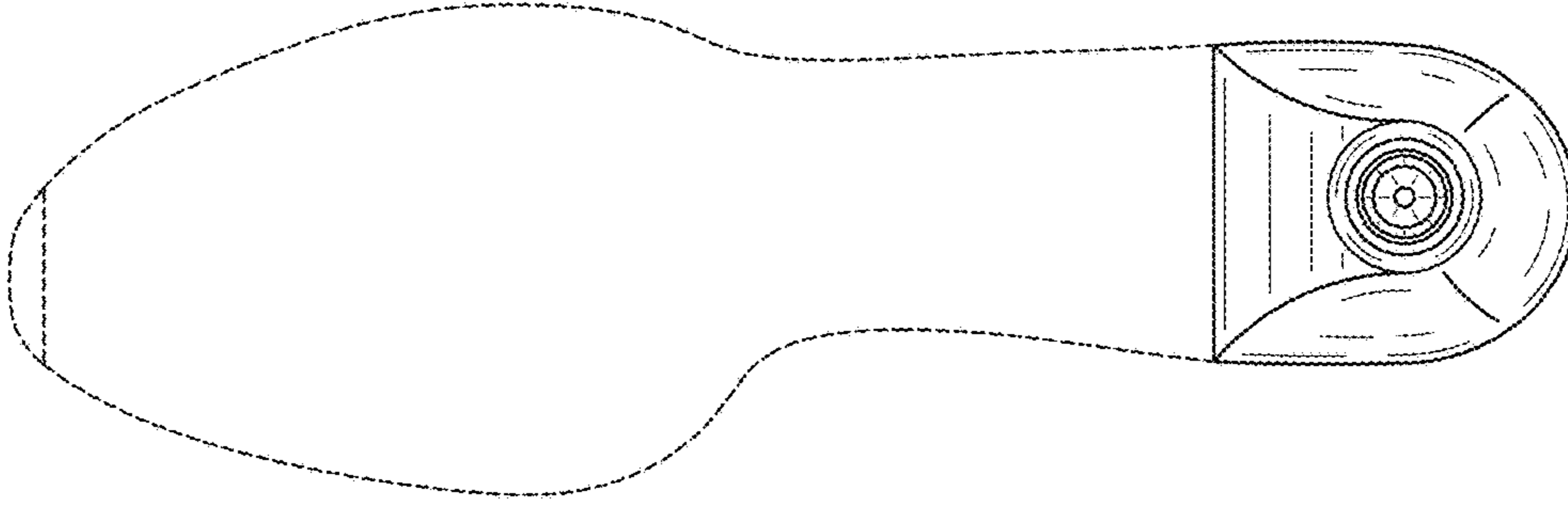


FIG. 4

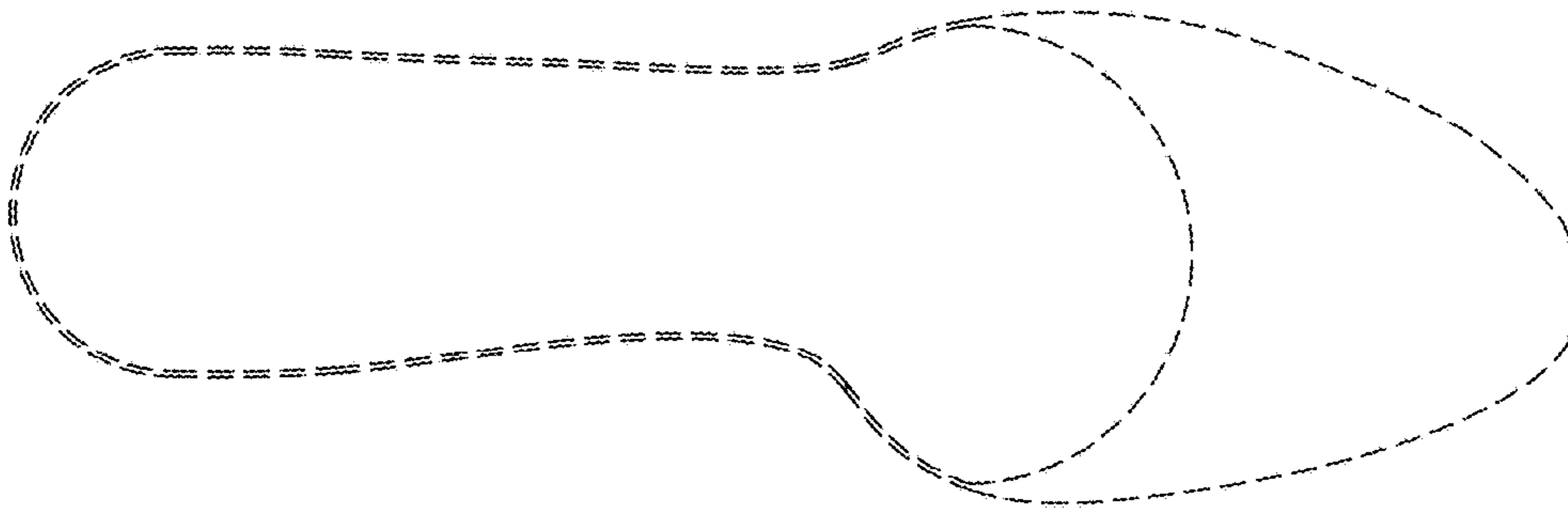


FIG. 3

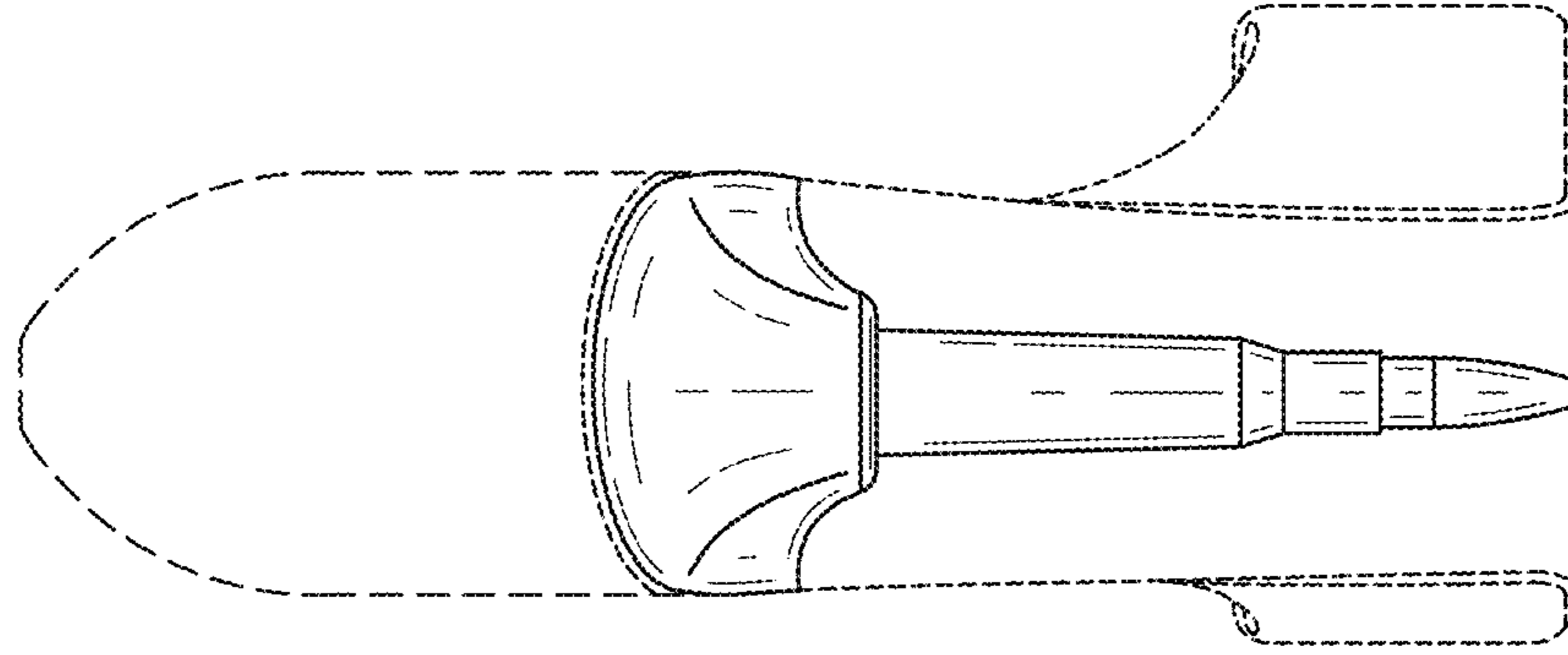


FIG. 5

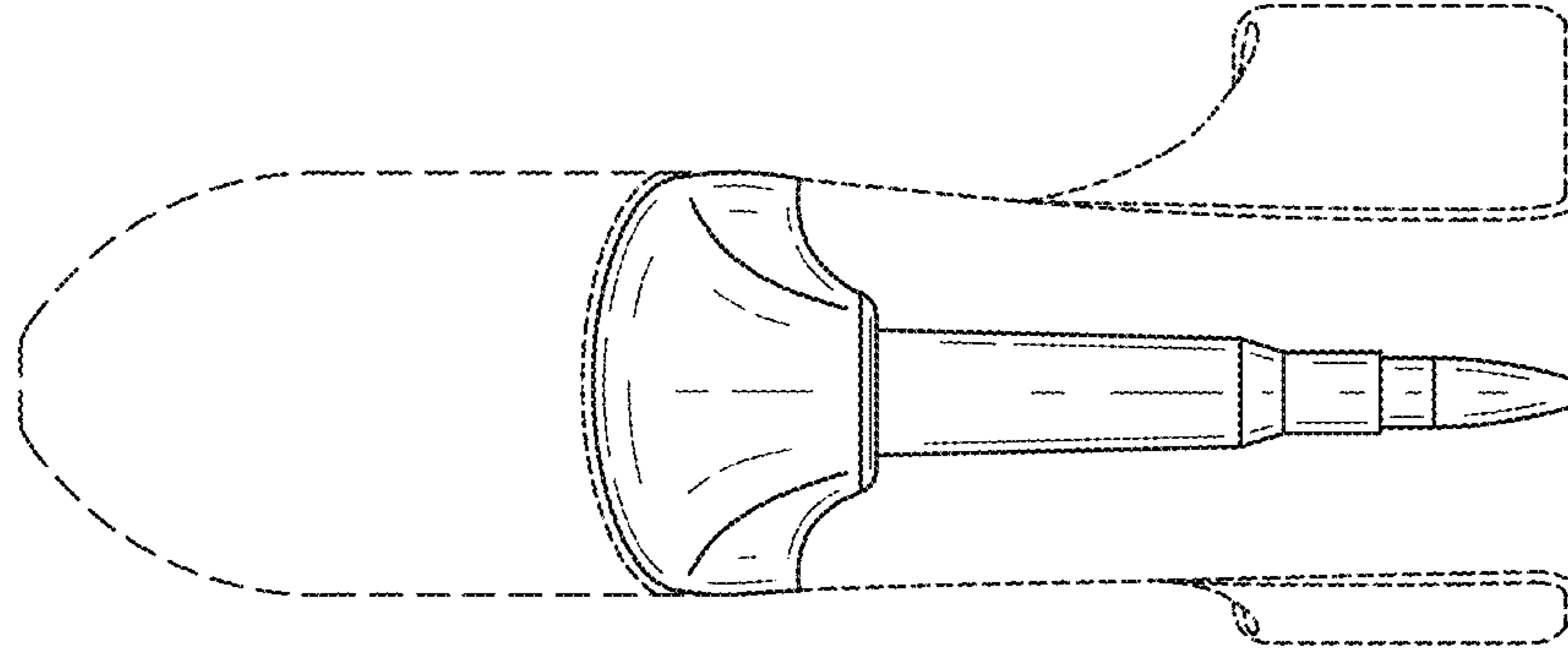


FIG. 6

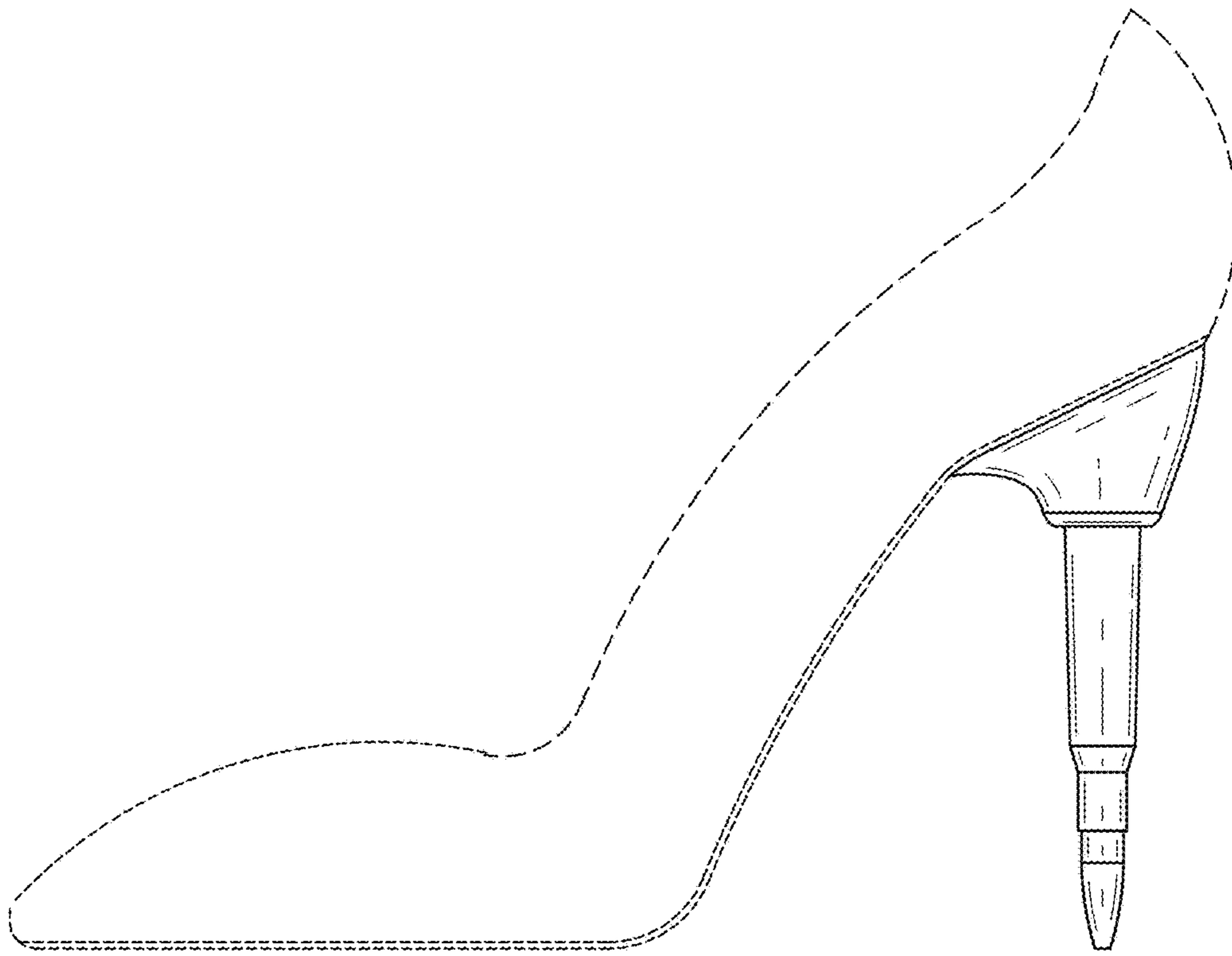


FIG. 7

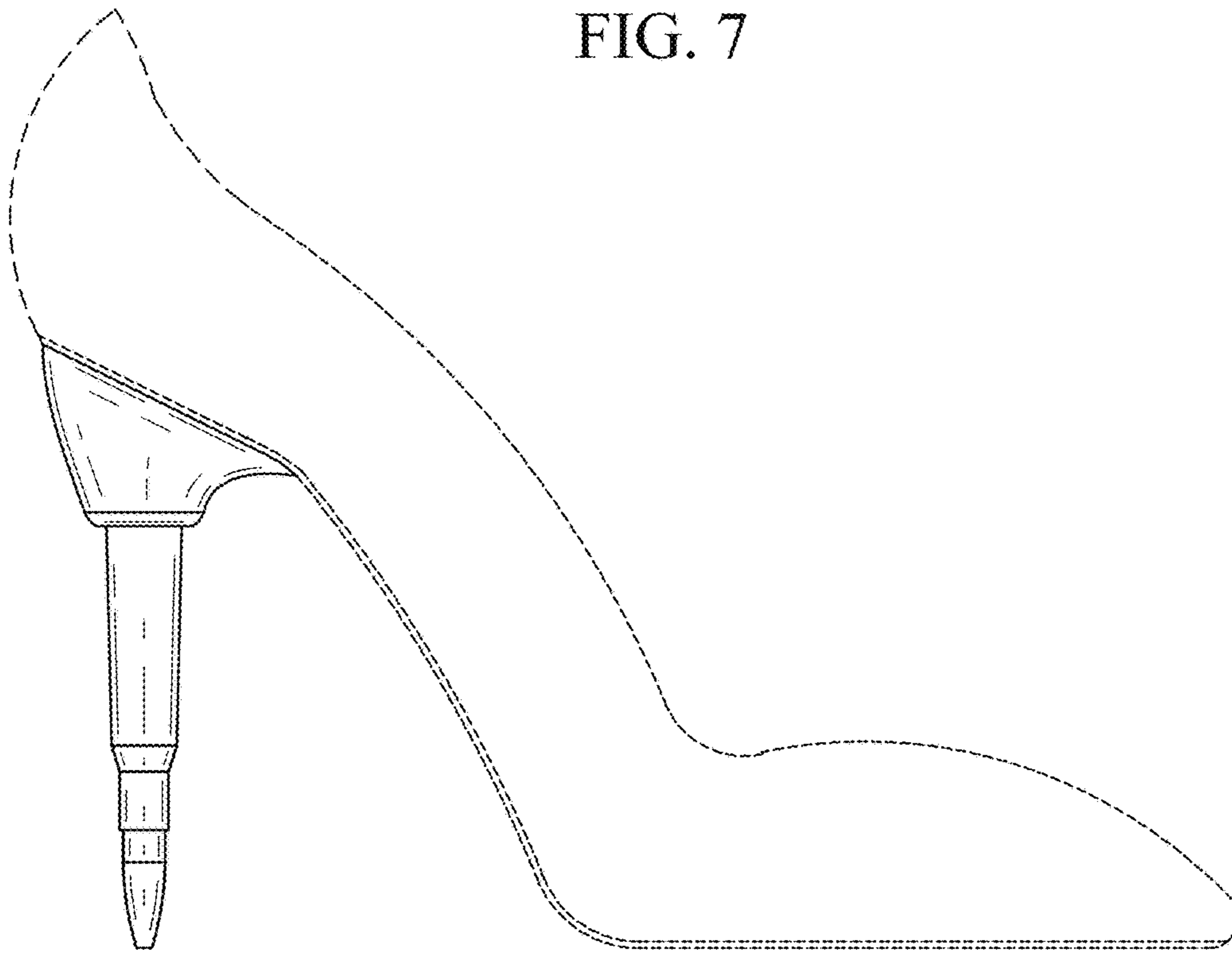


FIG. 8