

US00D824644S

(12) **United States Design Patent**  
**Ly**

(10) **Patent No.:** **US D824,644 S**

(45) **Date of Patent:** **\*\* Aug. 7, 2018**

- (54) **FOOTWEAR ARTICLE**
- (71) Applicant: **The North Face Apparel Corp.,**  
Wilmington, DE (US)
- (72) Inventor: **John Ly,** Oakland, CA (US)
- (73) Assignee: **The North Face Apparel Corp.,**  
Wilmington, DE (US)
- (\*\*) Term: **15 Years**
- (21) Appl. No.: **29/587,982**
- (22) Filed: **Dec. 16, 2016**
- (51) **LOC (11) Cl.** ..... **02-04**
- (52) **U.S. Cl.**  
USPC ..... **D2/896; D2/944; D2/957**
- (58) **Field of Classification Search**  
USPC ..... D2/90–912, 946–962, 944, 969, 970,  
D2/972–974  
CPC ..... A43B 23/00; A43B 23/24; A43B 3/001  
See application file for complete search history.

7,849,609 B2	12/2010	Edington et al.	
8,028,440 B2	10/2011	Sokolowski et al.	
8,042,288 B2	10/2011	Dua et al.	
8,196,317 B2	6/2012	Dua et al.	
8,215,132 B2	7/2012	Dua et al.	
8,225,530 B2	7/2012	Sokolowski et al.	
8,266,749 B2	9/2012	Dua et al.	
8,453,357 B2 *	6/2013	Beers .....	A43B 3/001 36/137
8,544,197 B2 *	10/2013	Spanks .....	A43B 1/0072 36/132
8,745,895 B2	6/2014	Sokolowski et al.	
8,745,896 B2 *	6/2014	Dua .....	A43B 1/04 36/45
8,800,172 B2	8/2014	Dua et al.	
8,881,430 B2	11/2014	Seamarks et al.	
8,898,932 B2	12/2014	Woodman et al.	
8,959,800 B2	2/2015	Sokolowski et al.	
8,959,959 B1	2/2015	Podhajny	
9,681,704 B2 *	6/2017	Podhajny .....	A43B 23/0205
2007/0094892 A1	5/2007	Craig et al.	
2011/0078921 A1	4/2011	Greene et al.	

(Continued)

*Primary Examiner* — Holly H Baynham  
*Assistant Examiner* — Rashida C. Walshon  
 (74) *Attorney, Agent, or Firm* — Baker & Hostetler LLP

(56) **References Cited**

U.S. PATENT DOCUMENTS

5,377,430 A *	1/1995	Hatfield .....	A43B 3/08 24/714.6
D394,146 S *	5/1998	Egelja .....	D2/910
D394,540 S *	5/1998	Egelja .....	D2/910
D397,544 S *	9/1998	Egelja .....	D2/902
D421,176 S *	2/2000	Matis .....	D2/902
6,931,762 B1	8/2005	Dua	
6,986,269 B2	1/2006	Dua	
6,990,755 B2	1/2006	Hatfield et al.	
7,171,767 B2	2/2007	Hatfield et al.	
7,347,011 B2	3/2008	Dua et al.	
7,392,605 B2	7/2008	Hatfield et al.	
7,637,032 B2	12/2009	Sokolowski et al.	
7,774,956 B2	8/2010	Dua et al.	
7,814,598 B2	10/2010	Dua et al.	

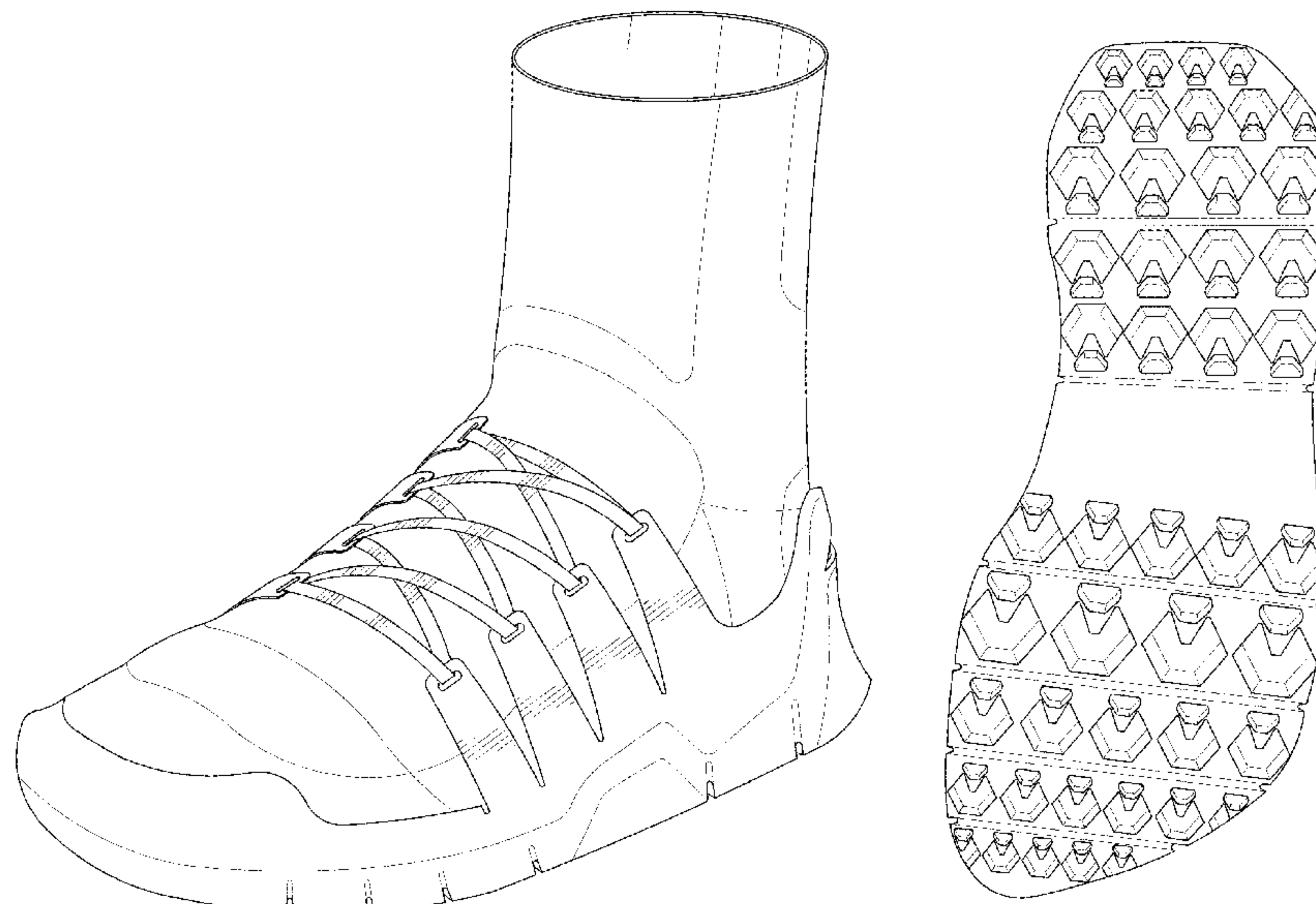
(57) **CLAIM**

The design of a footwear article, as shown and described.

**DESCRIPTION**

FIG. 1 is a top, front, left perspective view of a footwear article according to an embodiment of my design;  
 FIG. 2 is a front elevation view thereof;  
 FIG. 3 is a rear elevation view thereof;  
 FIG. 4 is a top plan view thereof; and  
 FIG. 5 is a bottom plan view thereof  
 FIG. 6 is a right side elevation view thereof; and,  
 FIG. 7 is a left side elevation view thereof.

**1 Claim, 5 Drawing Sheets**



(56)

**References Cited**

U.S. PATENT DOCUMENTS

2013/0247415	A1	9/2013	Kohatsu
2014/0137433	A1	5/2014	Craig
2014/0137434	A1	5/2014	Craig
2014/0150292	A1	6/2014	Podhajny et al.
2014/0202042	A1	7/2014	Berend et al.
2014/0245633	A1	9/2014	Podhajny
2014/0245634	A1	9/2014	Podhajny
2014/0352173	A1	12/2014	Bell et al.
2014/0352179	A1	12/2014	Bell et al.
2015/0059209	A1	3/2015	Dekovic et al.

\* cited by examiner

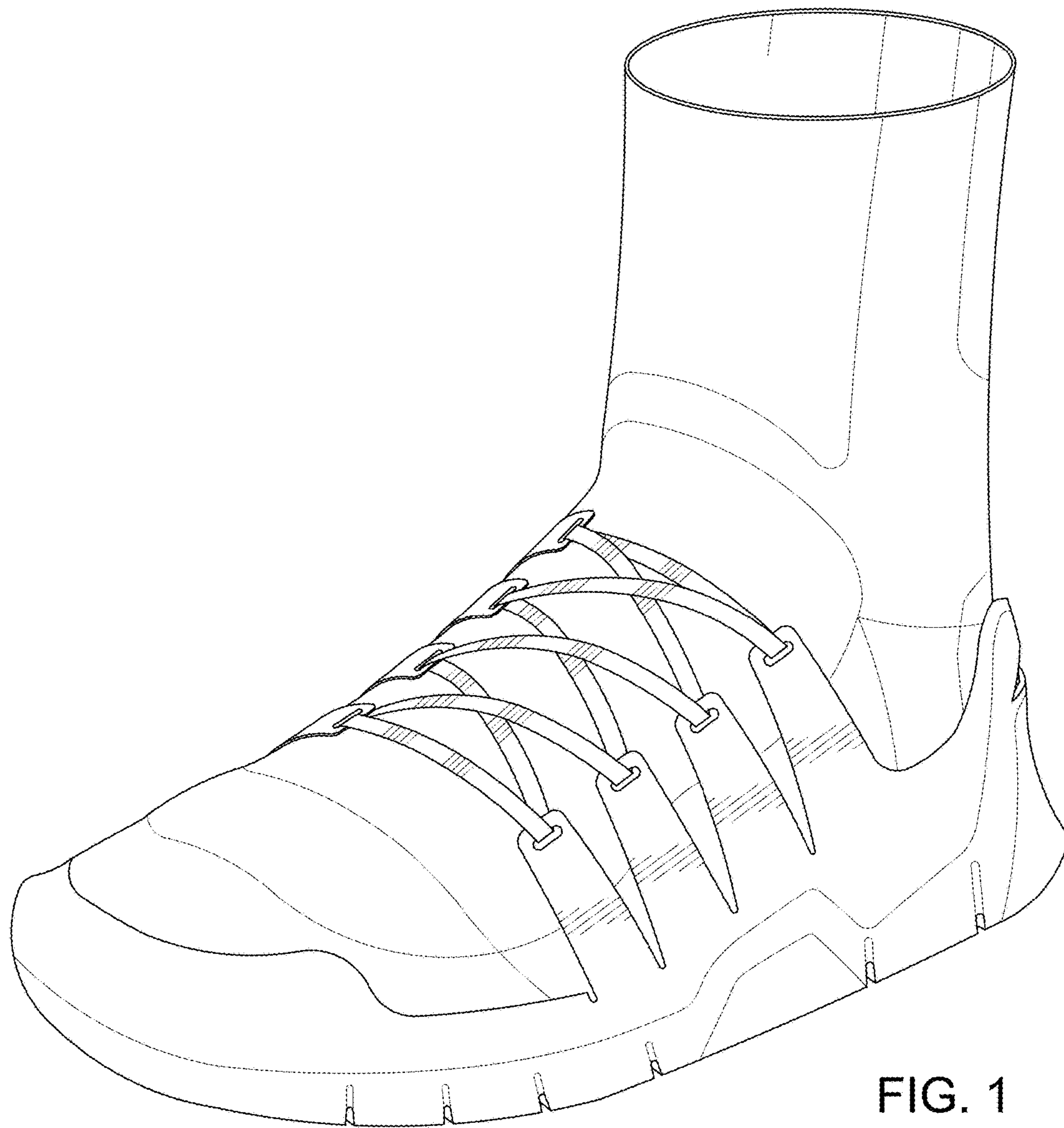


FIG. 1

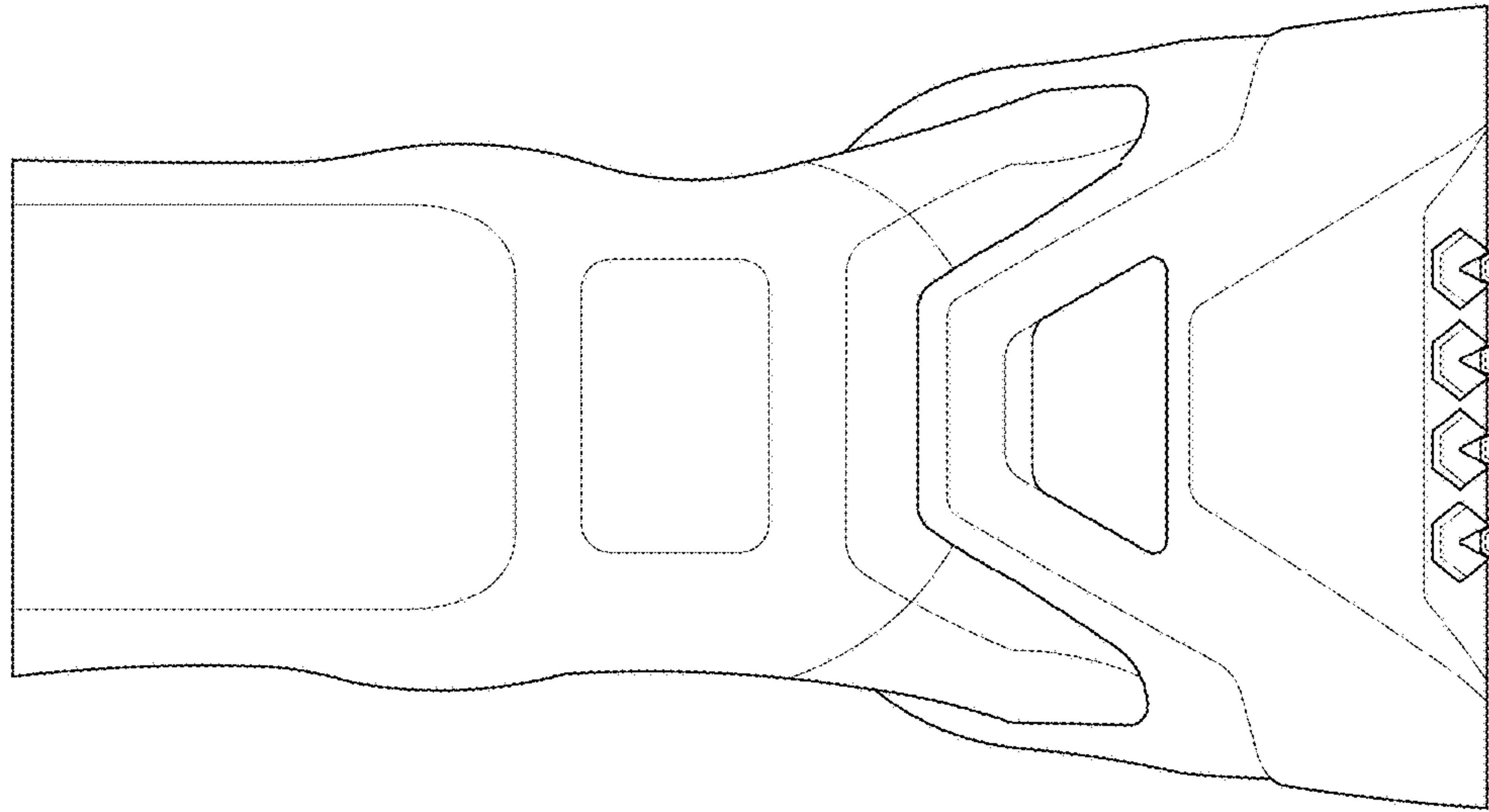


FIG. 3

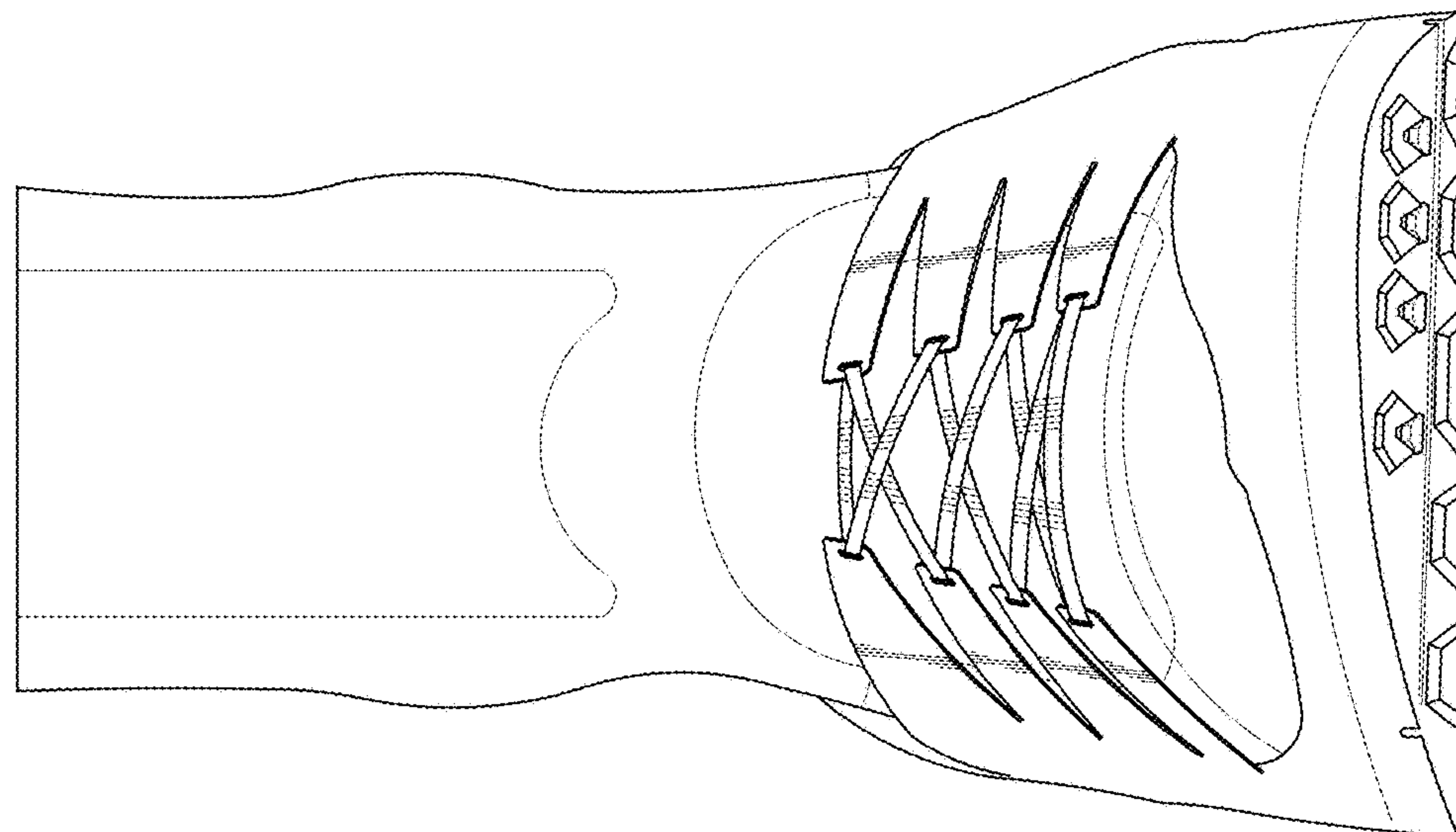


FIG. 2



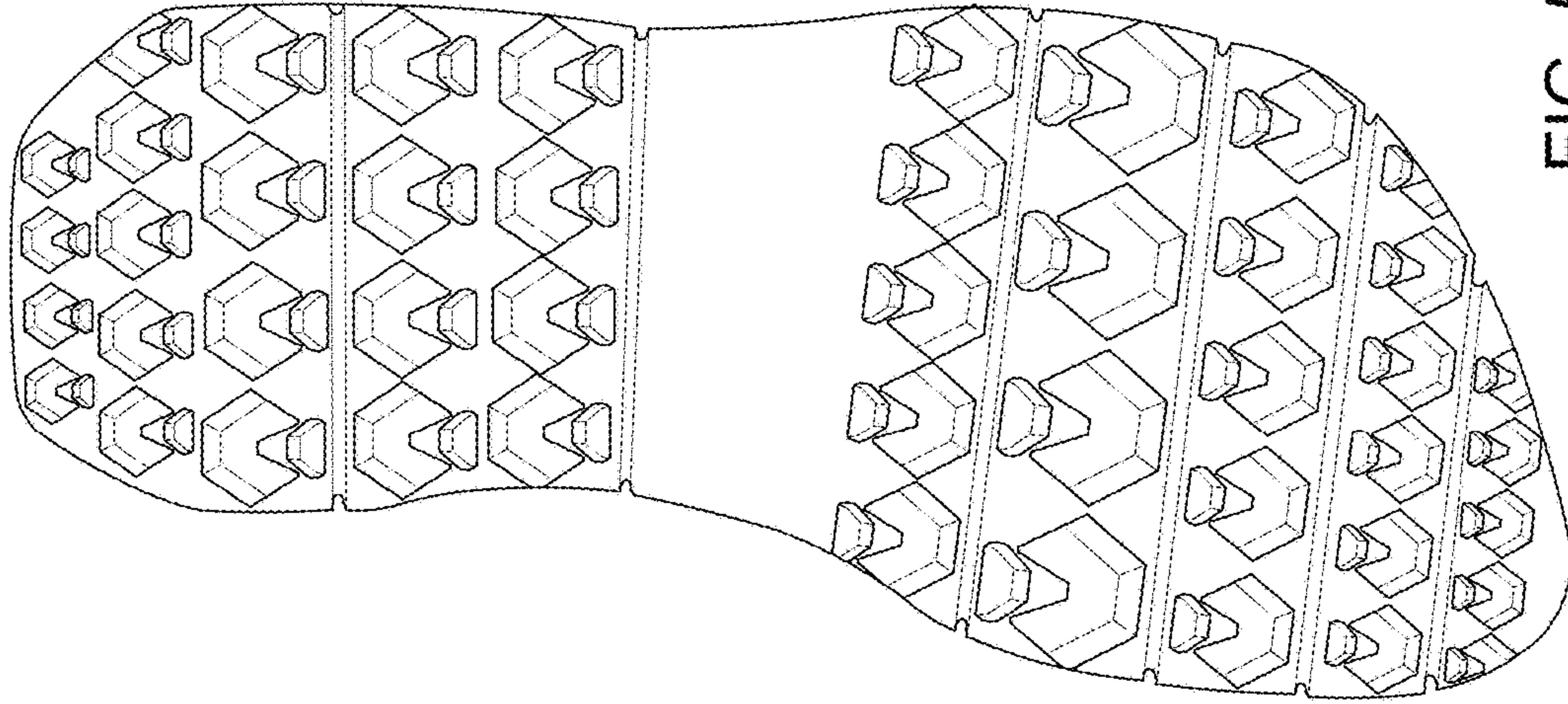


FIG. 5

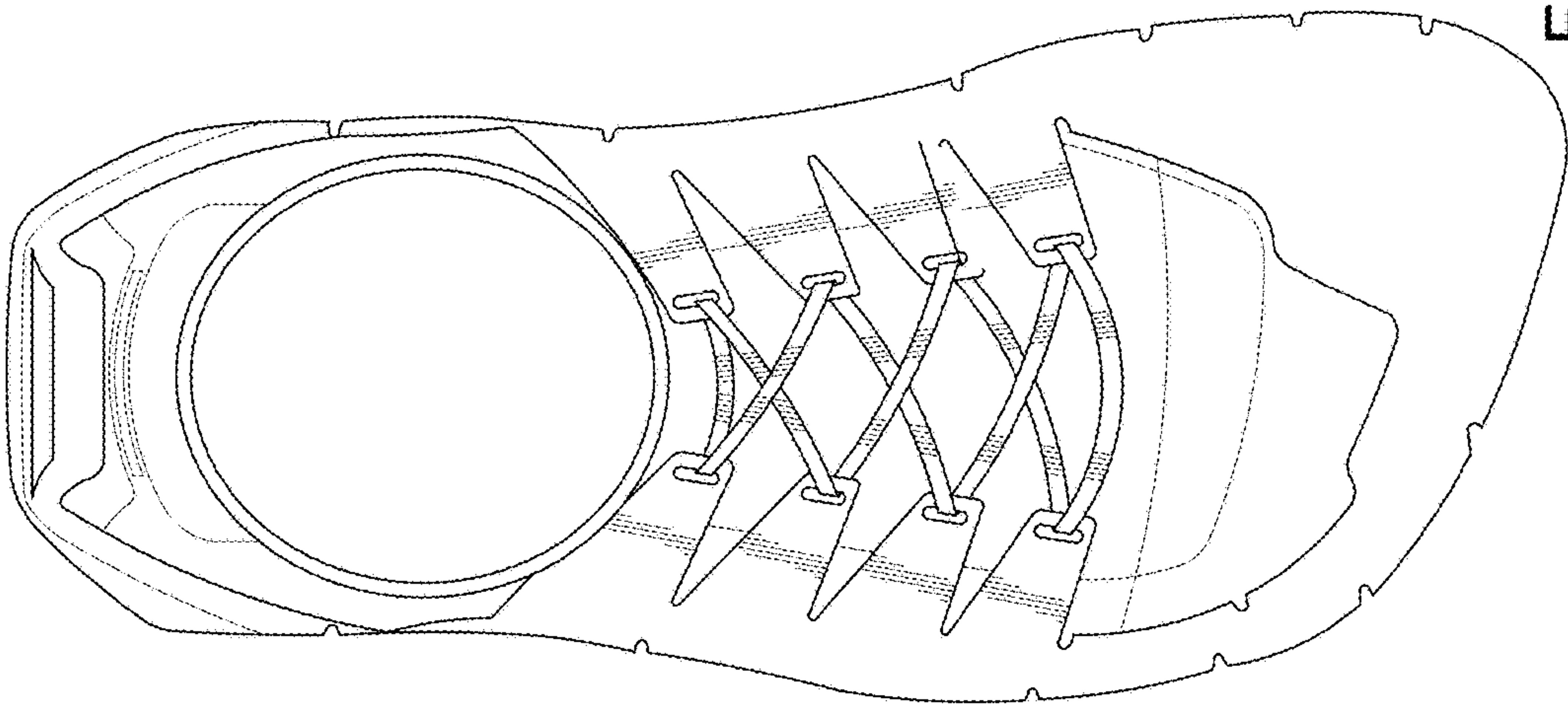


FIG. 4

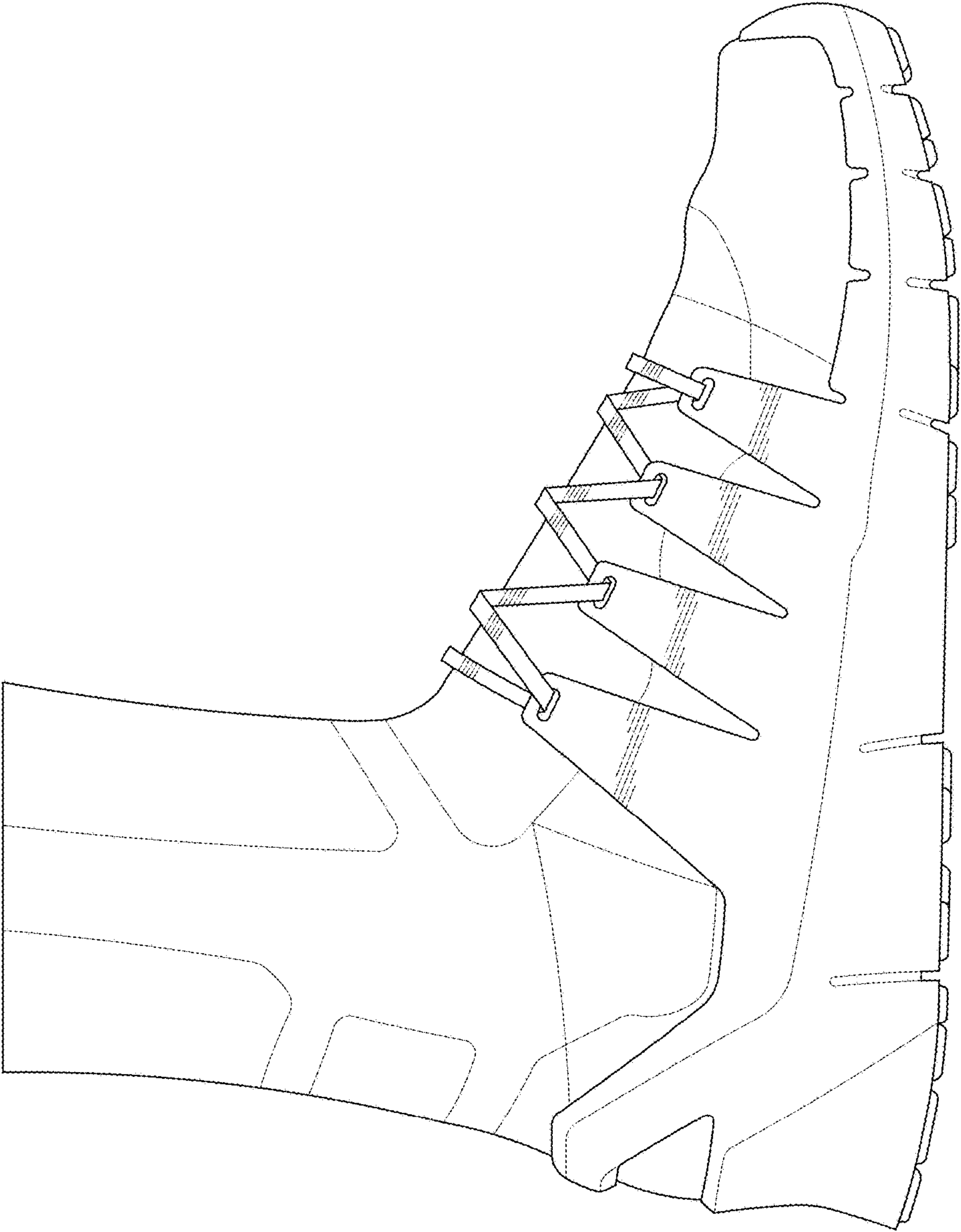


FIG. 6

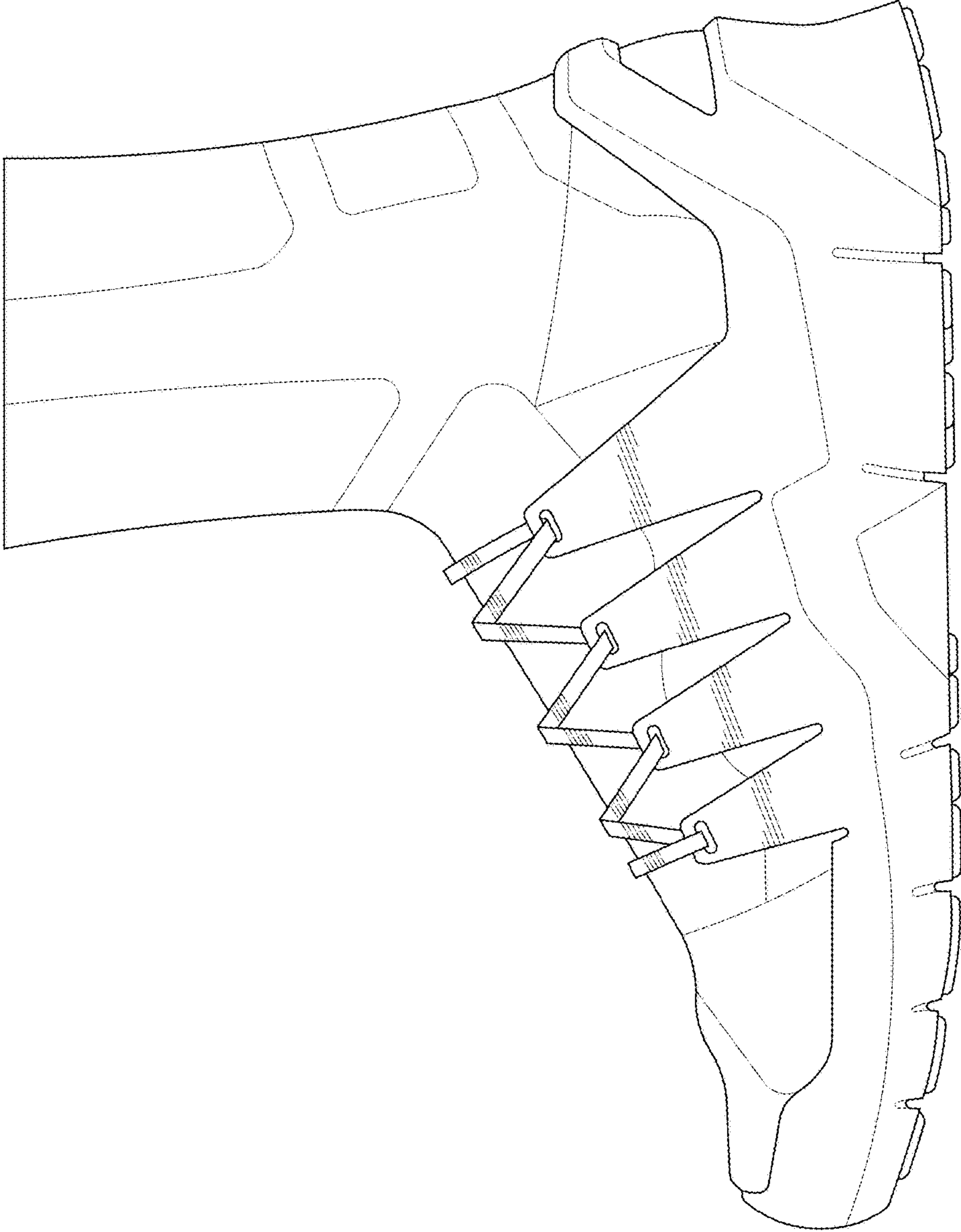


FIG. 7