

US00D824641S

(12) **United States Design Patent** (10) **Patent No.:** **US D824,641 S**
Alligood et al. (45) **Date of Patent:** **** Aug. 7, 2018**

(54) **PANTS**

(71) Applicant: **Under Armour, Inc.**, Baltimore, MD (US)

(72) Inventors: **Elyse Alligood**, New York, NY (US); **Jeanne Foley**, New York, NY (US)

(73) Assignee: **Under Armour, Inc.**, Baltimore, MD (US)

(**) Term: **15 Years**

(21) Appl. No.: **29/567,568**

(22) Filed: **Jun. 10, 2016**

(51) **LOC (11) Cl.** **02-02**

(52) **U.S. Cl.**
USPC **D2/731**

(58) **Field of Classification Search**
USPC D2/711-712, 716-717, 728, 731, 738, 742, 748, 791, 851, 857; 2/228, 237, 2/238, 275, 244, 400, 404, 242, 407
CPC A41D 1/08; A41D 1/20; A41D 13/0506; A41D 13/0015; A41D 23/00; A41D 23/30; A41D 23/322; A44D 22/00; A41B 9/02; A41B 11/00; A63B 71/12; A63B 71/1216; A44B 19/00; A44B 19/02; A44B 19/18

See application file for complete search history.

D525,765 S * 8/2006 Arensdorf D2/712
D532,958 S 12/2006 Kent
D613,037 S 4/2010 Iamartino et al.
D613,928 S 4/2010 Iamartino et al.
D615,279 S 5/2010 Savage
D618,434 S 6/2010 Iamartino et al.
D618,435 S 6/2010 Iamartino et al.
D619,784 S 7/2010 Kanada et al.
(Continued)

OTHER PUBLICATIONS

Athleta Catalog, Runabout Pant, Item J, p. 37, Fall 2011, Petaluma, California.

(Continued)

Primary Examiner — Eric L Goodman
Assistant Examiner — Amy C Wierenga

(57) **CLAIM**

The ornamental design for pants, as shown and described.

DESCRIPTION

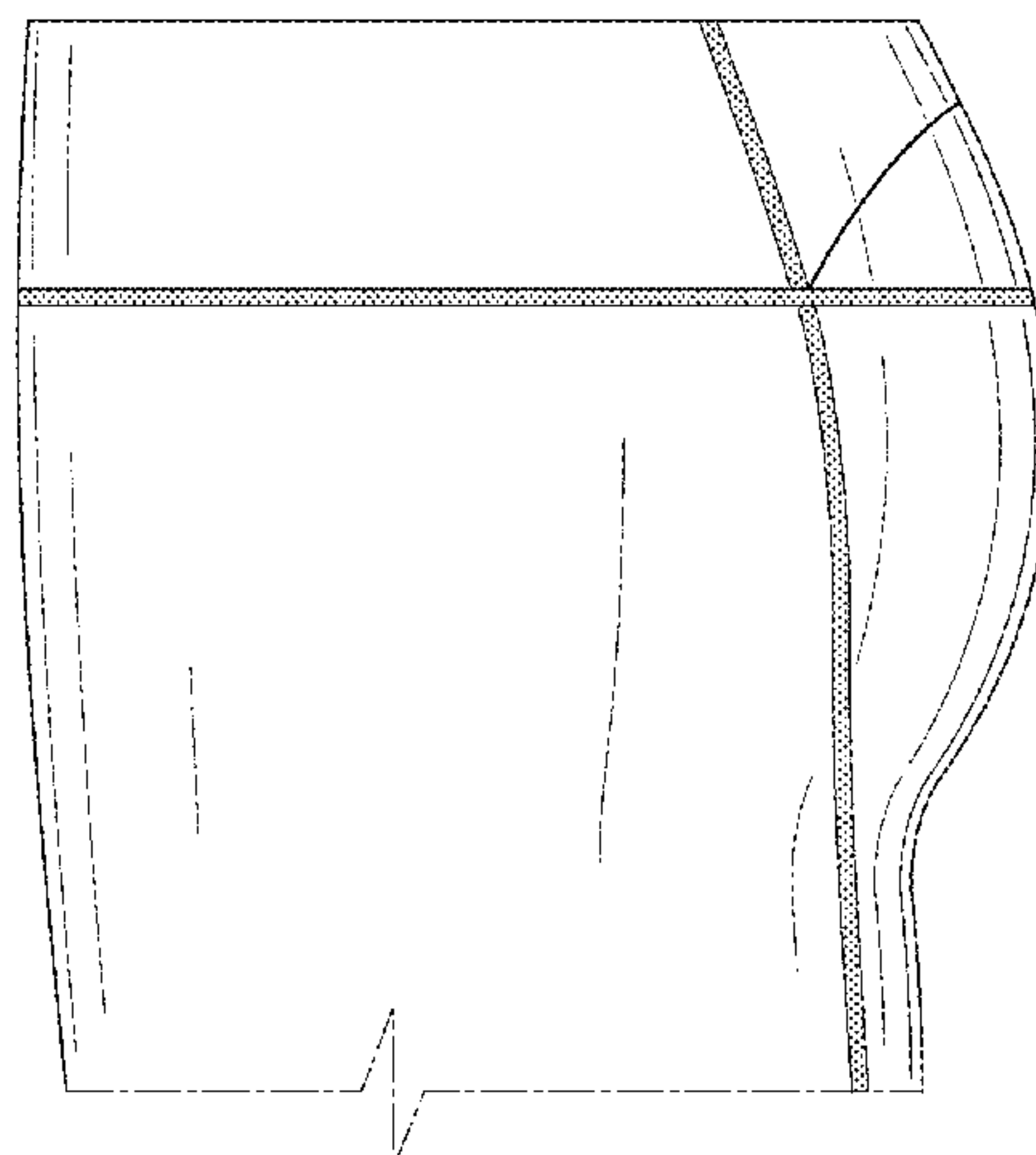
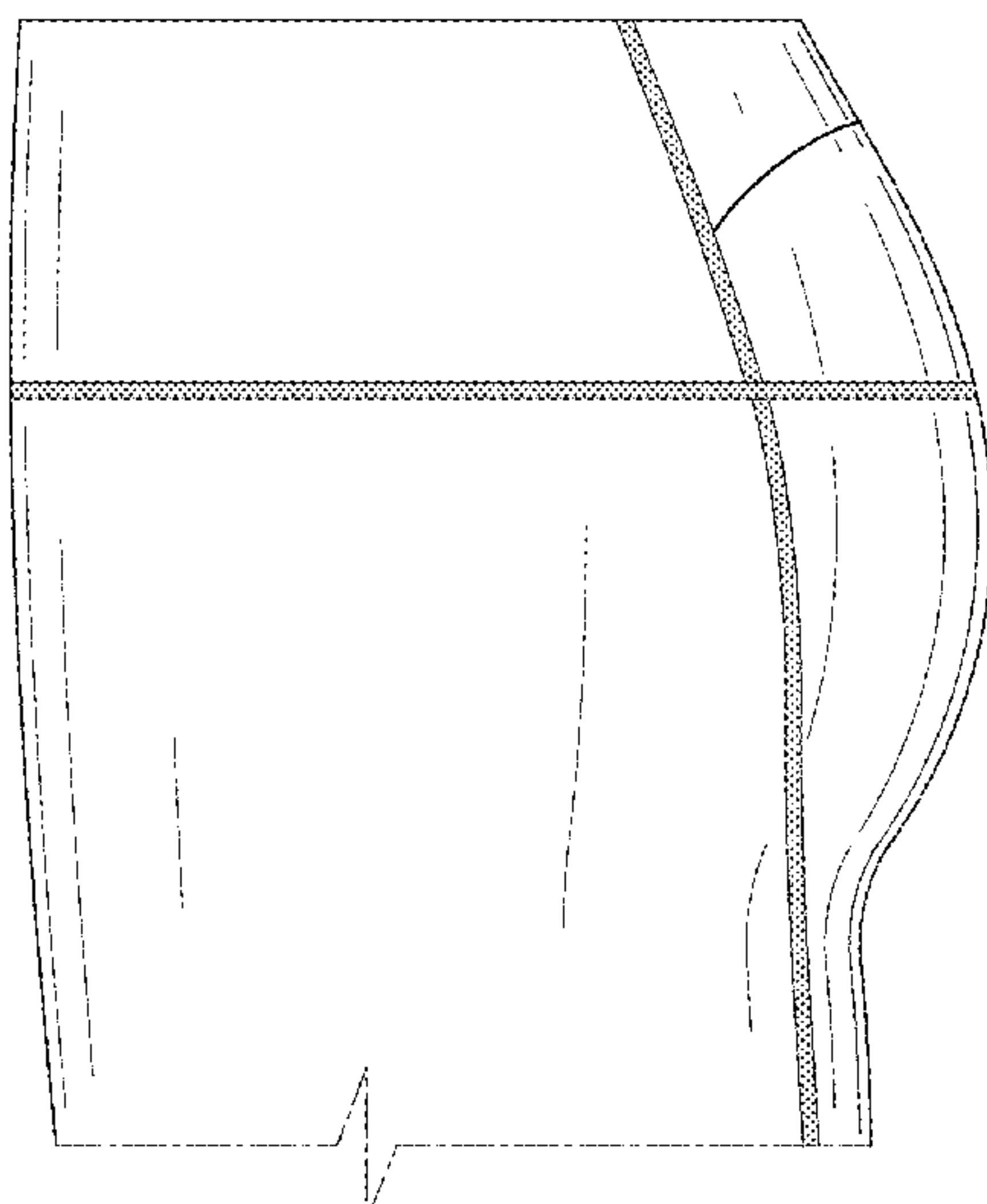
FIG. 1 is a perspective view of pants showing my new design;
FIG. 2 is a front view in elevation thereof;
FIG. 3 is a rear view in elevation thereof;
FIG. 4 is a left side view thereof; and
FIG. 5 is a right side view thereof.
FIG. 6 is a perspective view of pants showing my new design;
FIG. 7 is a front view thereof;
FIG. 8 is a rear view thereof;
FIG. 9 is a left side view thereof; and,
FIG. 10 is a right side view thereof.

The broken line illustration in the drawings depicts portions of the pants that form no part of the claim. The stippling in the drawings indicates seam placement. The broken, dot-dash line in the drawings indicates a boundary line and, as such, is not part of the claimed design.

1 Claim, 10 Drawing Sheets

(56) **References Cited**
U.S. PATENT DOCUMENTS

D235,937 S 7/1975 Froidh
D275,619 S 9/1984 Birring
D281,540 S 12/1985 Ternstrom
D284,036 S 6/1986 Birring
5,954,564 A 9/1999 Ganz
D514,280 S * 2/2006 Ota D2/731
D514,774 S 2/2006 Africa et al.
D515,282 S * 2/2006 Africa D2/714



(56)

References Cited

U.S. PATENT DOCUMENTS

D638,608	S *	5/2011	Gregory	D2/738
D641,134	S	7/2011	Zarabi	
D641,539	S	7/2011	Zarabi	
D645,644	S	9/2011	Lamartino	
D654,661	S	2/2012	Savage	
D660,553	S	5/2012	Farina et al.	
D661,872	S	6/2012	Lamartino	
D662,281	S	6/2012	Iamartino	
D668,434	S	10/2012	Iamartino	
D673,756	S	1/2013	Agnew et al.	
D686,801	S	7/2013	Farina	
D687,214	S	8/2013	Farina et al.	
D747,845	S *	1/2016	Pasloski	D2/731
D764,143	S *	8/2016	Gallo	D2/731
D775,784	S *	1/2017	Puni	D2/731
D778,535	S *	2/2017	Lomax	D2/731
D778,539	S *	2/2017	Kandarian	D2/742
D783,937	S *	4/2017	Miller	D2/731
D786,534	S *	5/2017	Alligood	D2/731
D786,535	S *	5/2017	Grosse	D2/738
2008/0083055	A1	4/2008	Onda	
2011/0131705	A1	6/2011	Waldman et al.	
2012/0036615	A1	2/2012	Bradstreet et al.	
2017/0238634	A1*	8/2017	Berns	A41D 27/205

OTHER PUBLICATIONS

Athleta Catalog, Organic Cotton Salamba Pant, p. 64, Fall 2011, Petaluma, California.

Athleta Catalog, Kickbooty Pant, p. 65, Fall 2011, Petaluma, California.

* cited by examiner

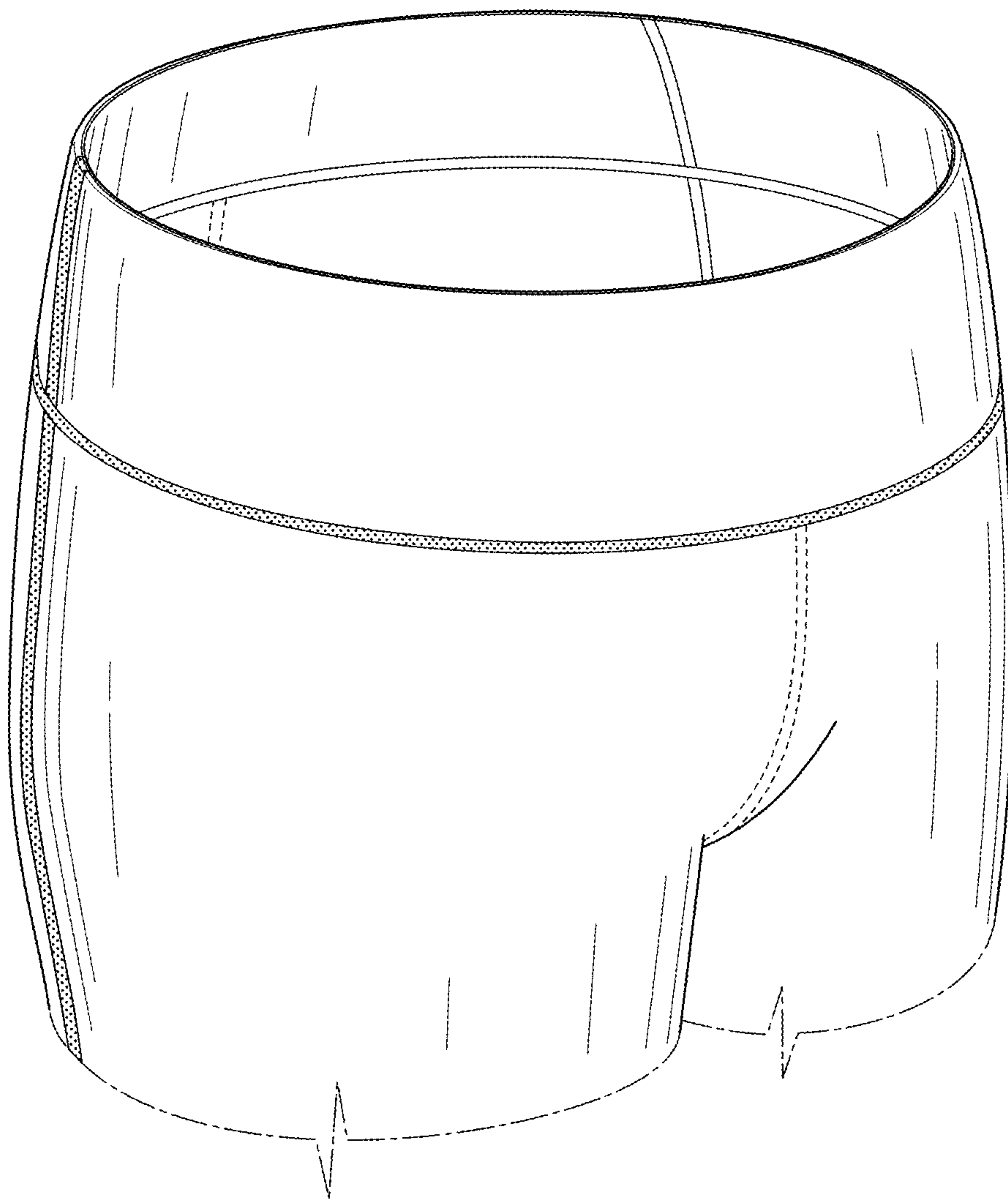


FIG. 1

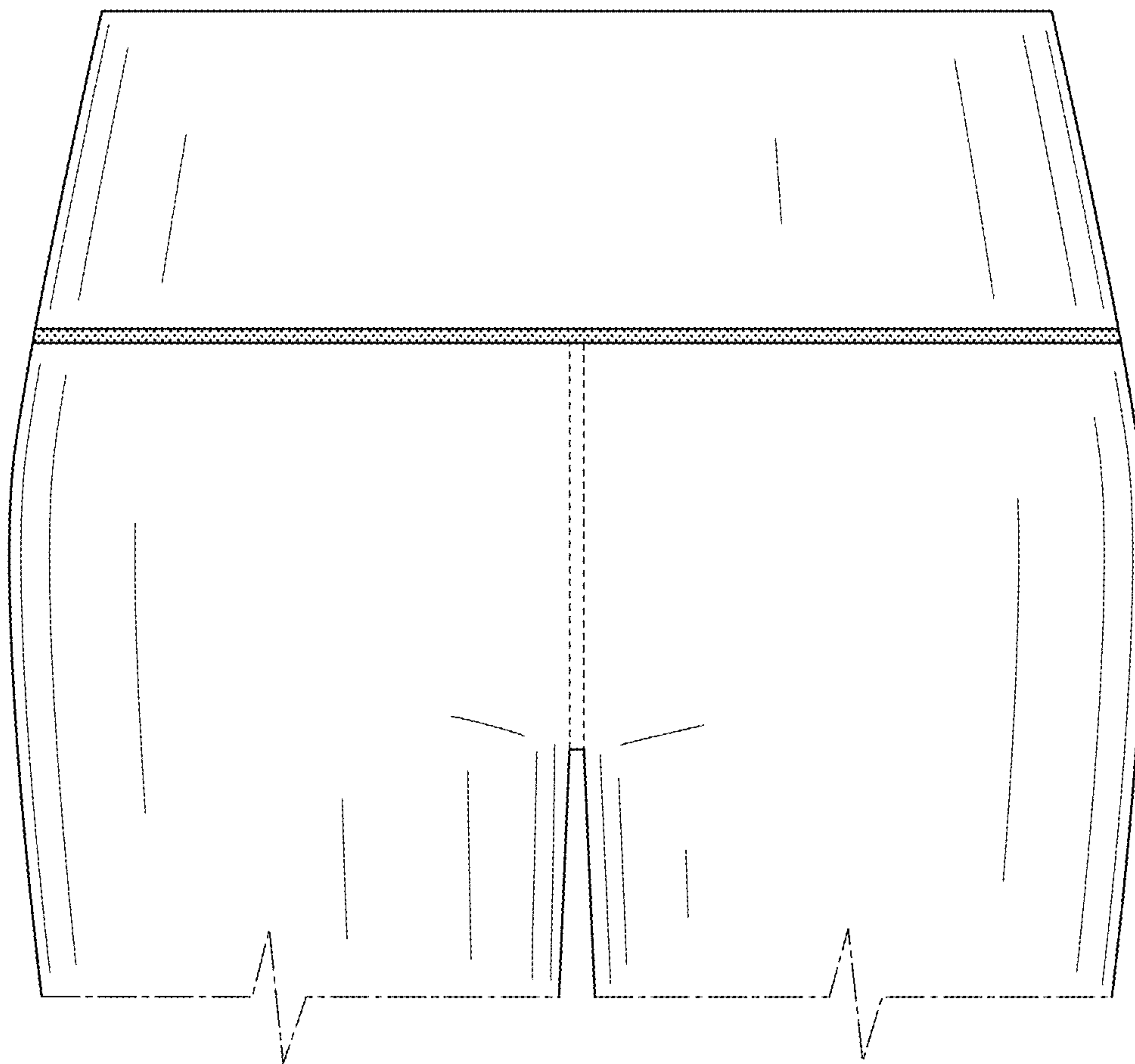


FIG. 2

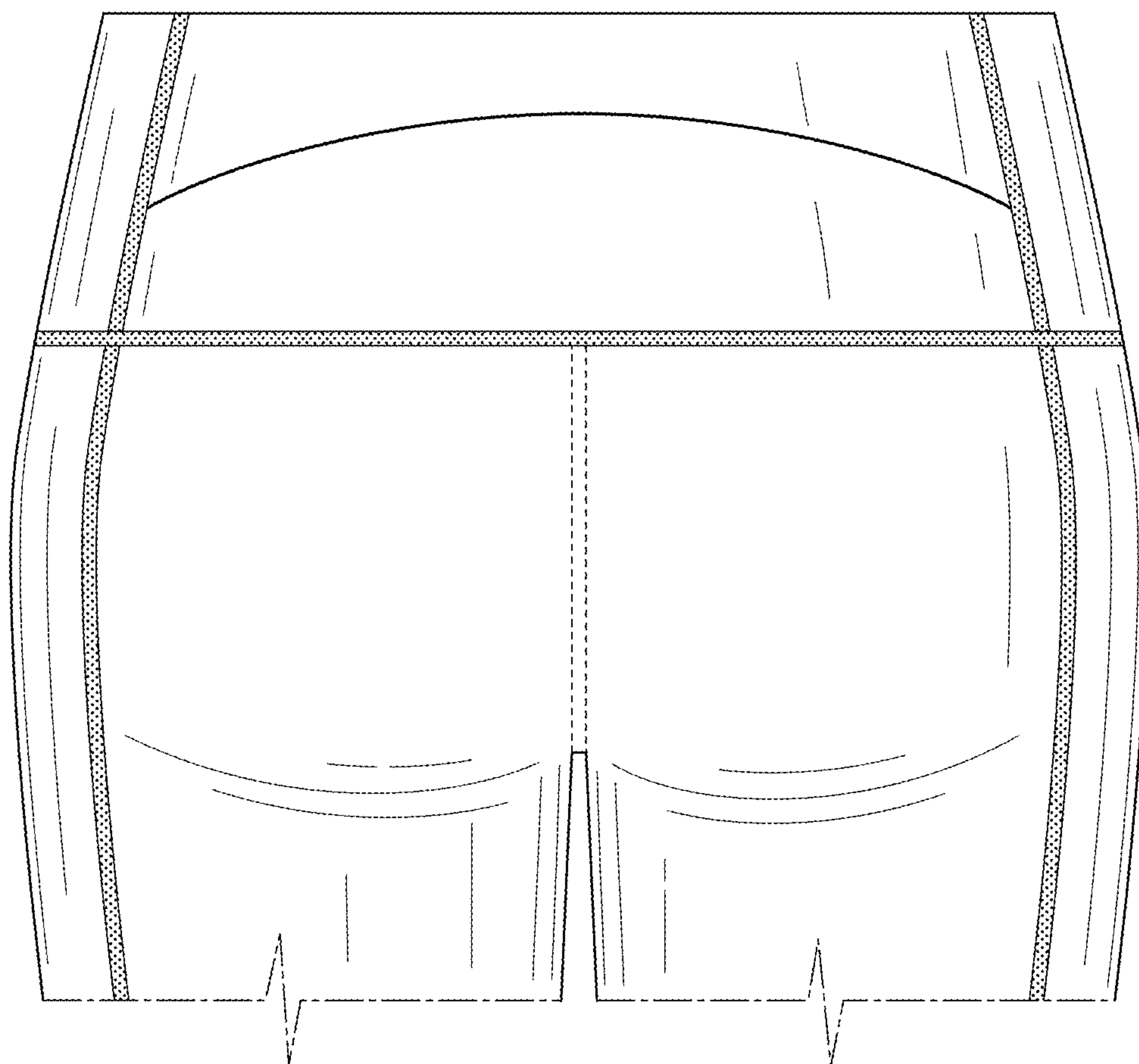


FIG. 3

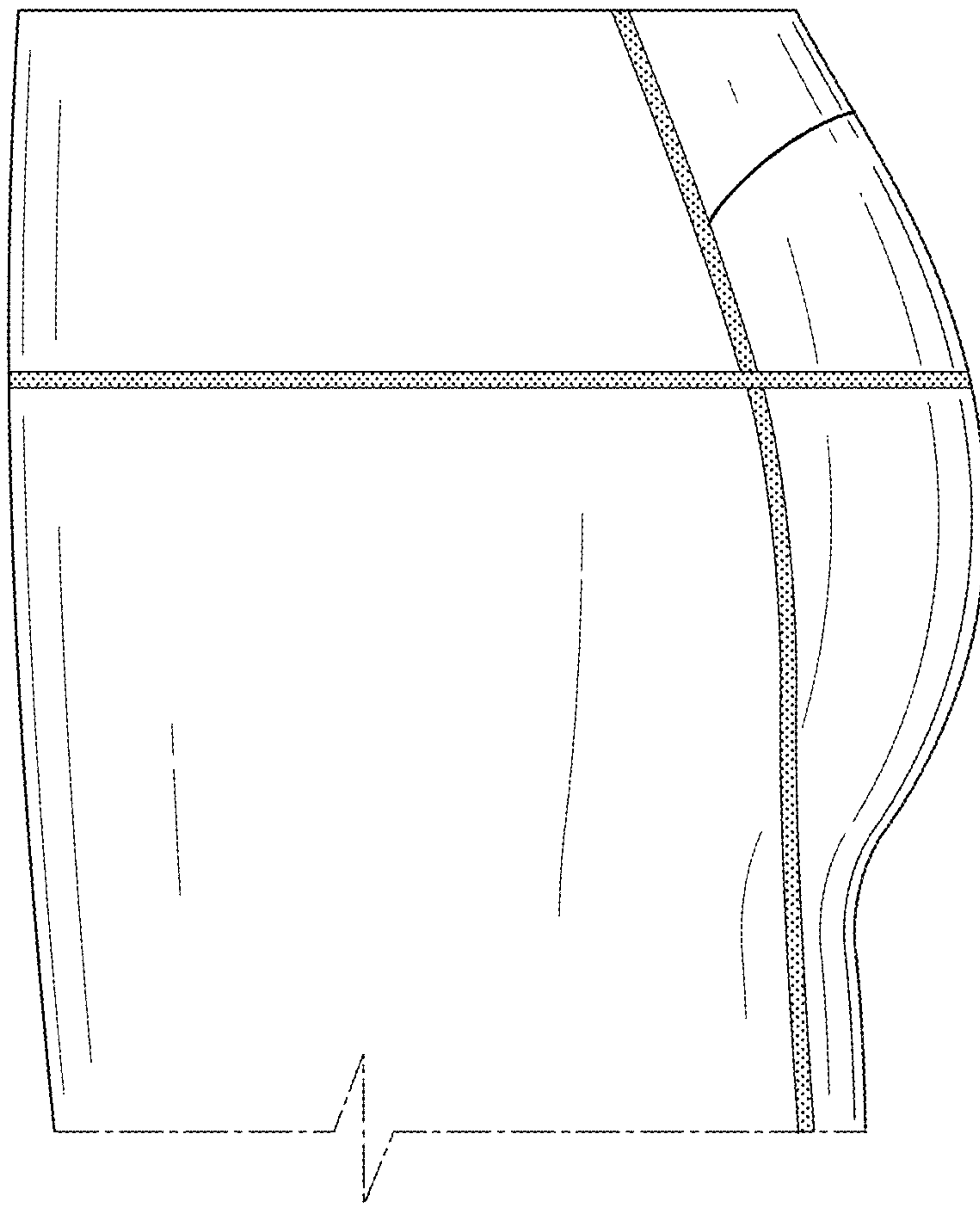


FIG. 4

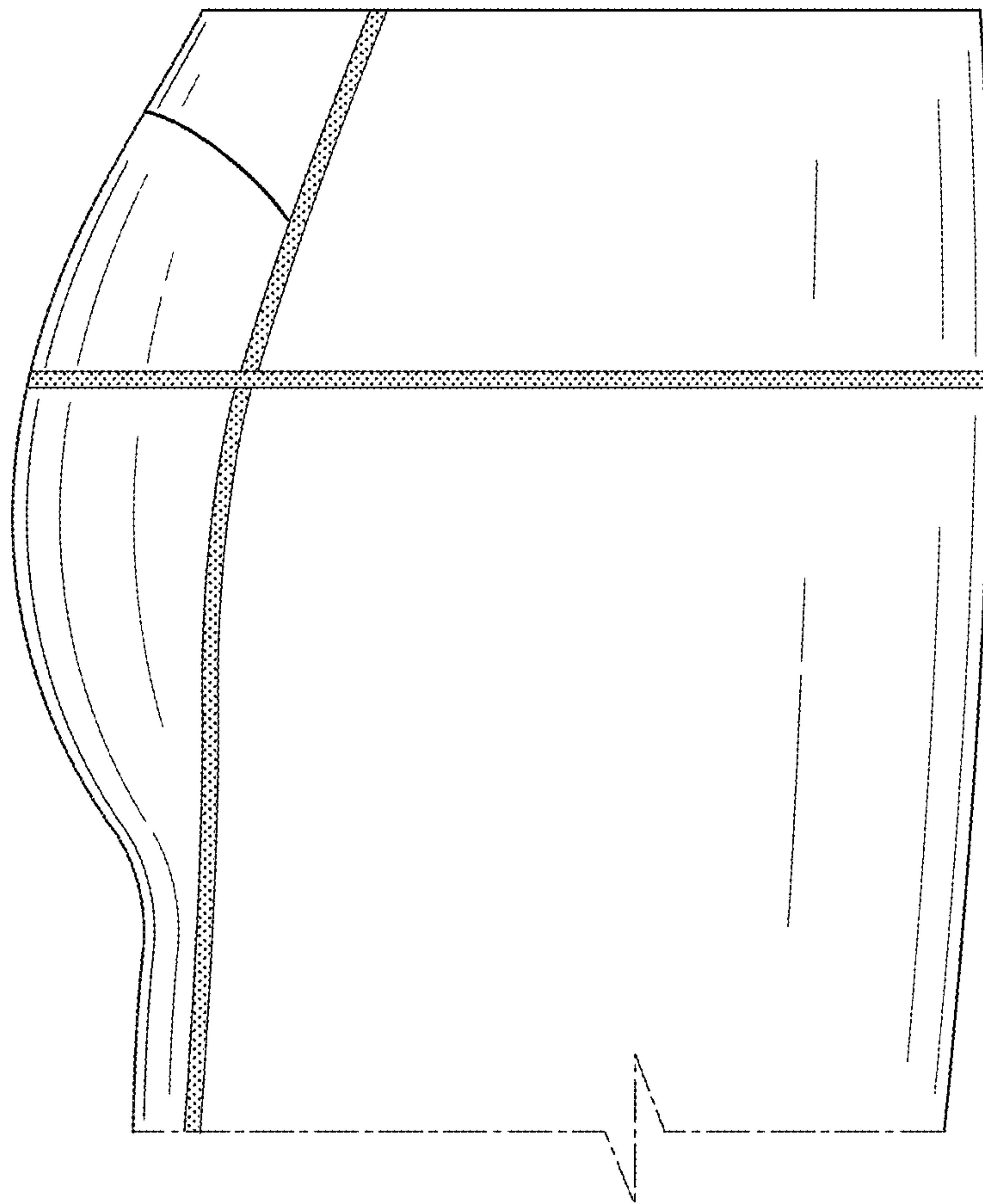


FIG. 5

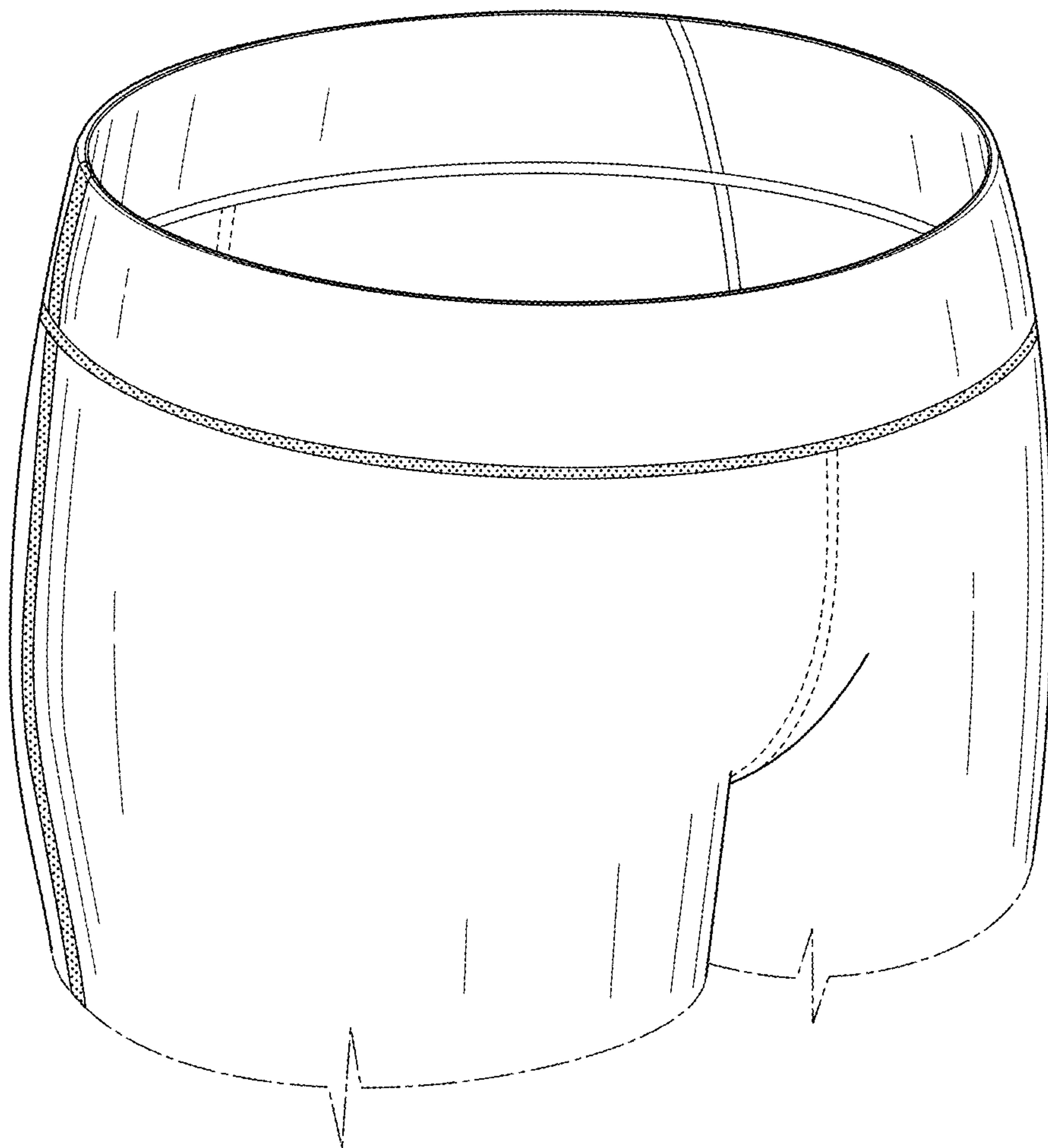


FIG. 6

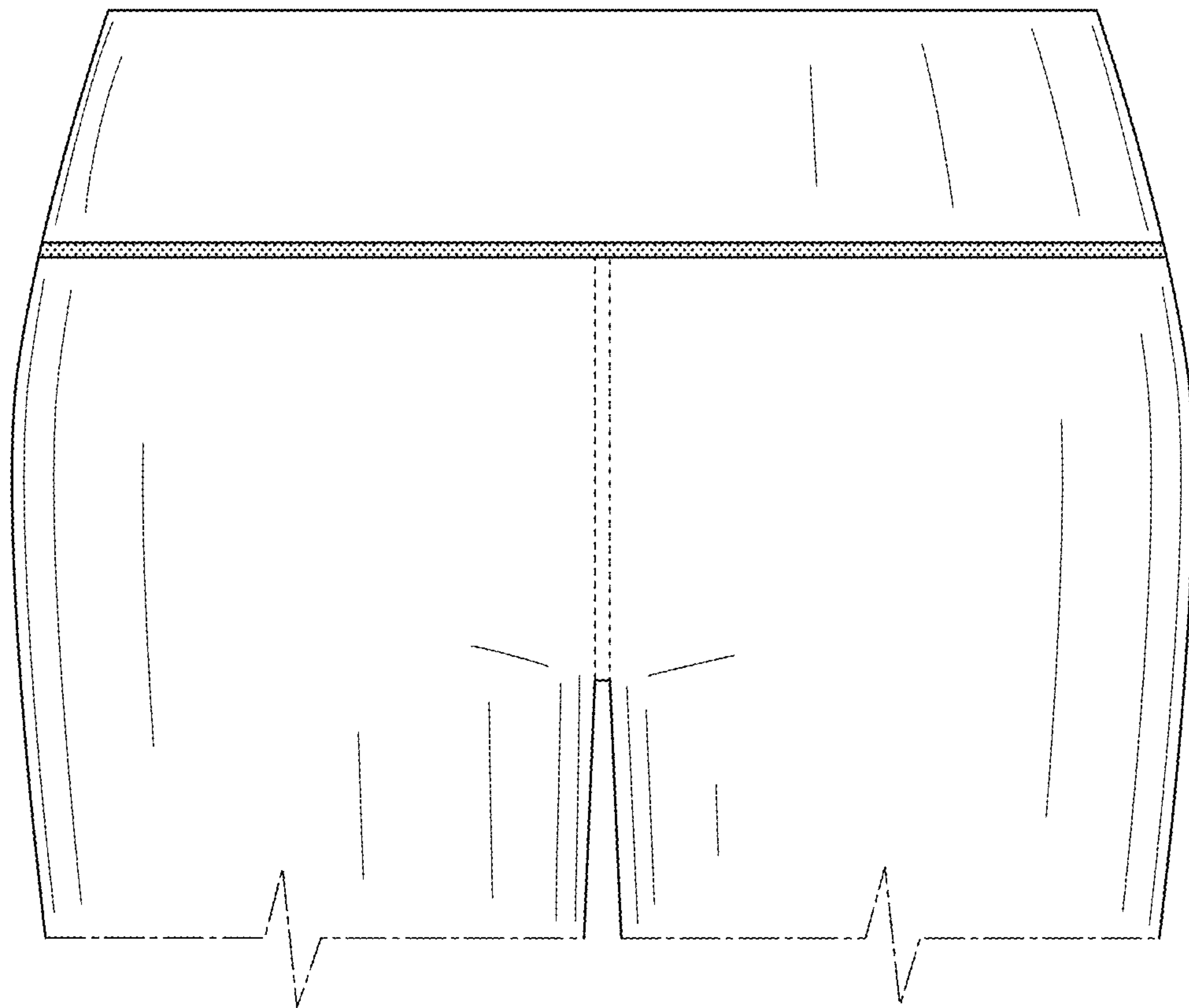


FIG. 7

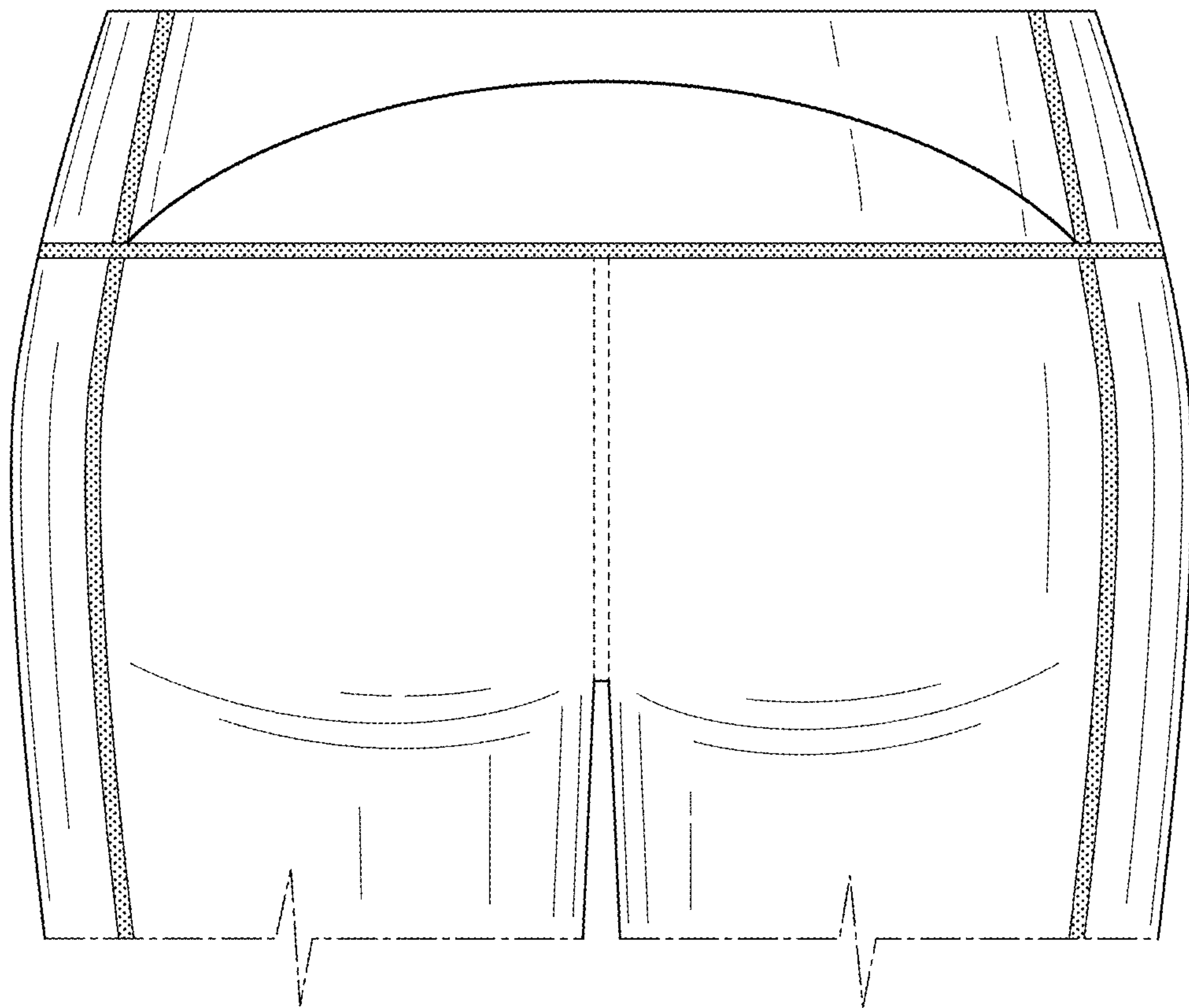


FIG. 8

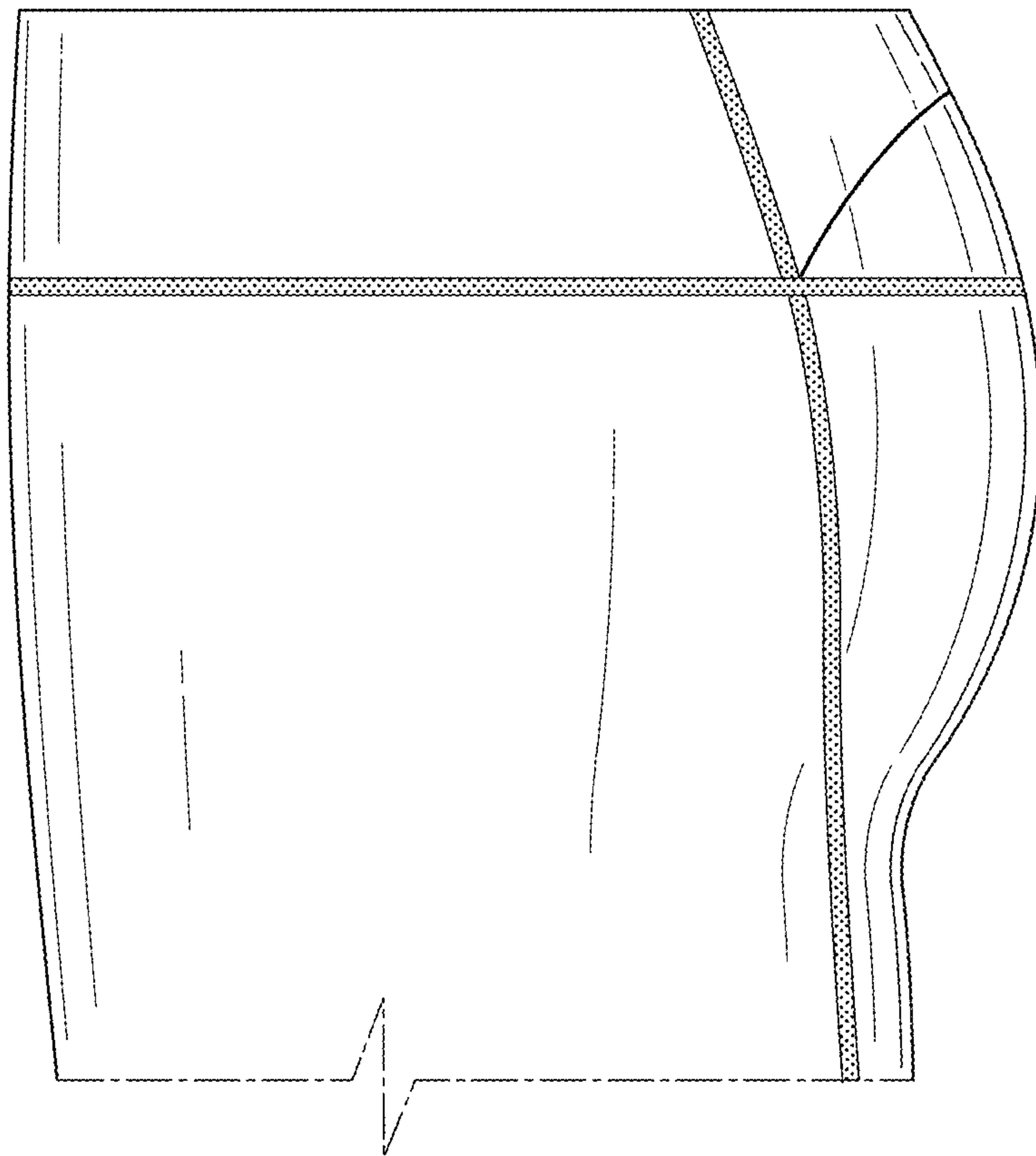


FIG. 9

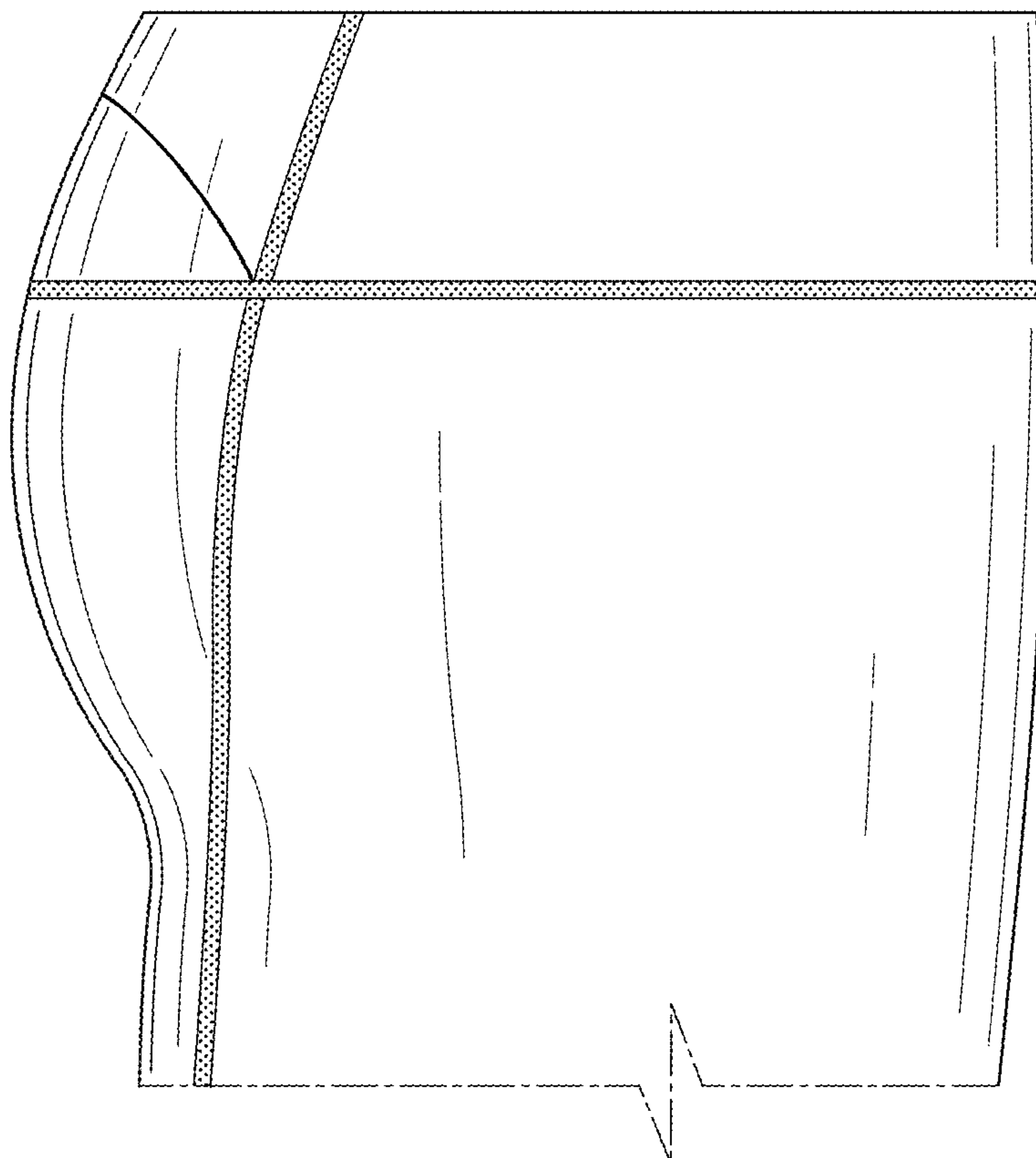


FIG. 10