



US00D824637S

(12) **United States Design Patent**
Chen et al.

(10) **Patent No.:** **US D824,637 S**

(45) **Date of Patent:** **** Aug. 7, 2018**

(54) **GLOVE**

(71) Applicants: **Willy Chen**, Chino, CA (US); **Jeff Lu**, Chino Hills, CA (US); **Benson Tu**, Chino Hills, CA (US)

(72) Inventors: **Willy Chen**, Chino, CA (US); **Jeff Lu**, Chino Hills, CA (US); **Benson Tu**, Chino Hills, CA (US)

(**) Term: **15 Years**

(21) Appl. No.: **29/590,605**

(22) Filed: **Jan. 11, 2017**

(51) **LOC (11) Cl.** **02-06**

(52) **U.S. Cl.**
USPC **D2/617; D2/621**

(58) **Field of Classification Search**
USPC D2/610, 611, 616, 617, 619, 621, 623
CPC A41D 19/00
See application file for complete search history.

(56) **References Cited**

U.S. PATENT DOCUMENTS

2,314,545	A *	3/1943	Lindfelt	A63B 71/146
					2/159
2,344,080	A *	3/1944	Burgett	A41D 19/00
					2/161.2
D364,951	S *	12/1995	Martello	D2/610
D372,578	S *	8/1996	Chapman	D2/610
D382,087	S *	8/1997	Arshed	D2/617
D442,745	S *	5/2001	Minkow	D29/113
D631,613	S *	1/2011	Yang	D29/117.2
D747,559	S *	1/2016	Faulkner	D2/619
D772,529	S *	11/2016	Sekhon	D2/617
2006/0174395	A1 *	8/2006	Mayo	A41D 19/01547
					2/160
2015/0059043	A1 *	3/2015	Dwyer	A41D 13/081
					2/20

OTHER PUBLICATIONS

Cycle Gloves, posted at bryantsinternational.com, posting date not given, [online], [site visited Feb. 12, 2018]. Available from Internet, URL: http://bryantsinternational.com/detail.php?prod_detail=921 (Year: 2018).*

Cycling Gloves, posted at amazon.com, posting date not given, [online], [site visited Feb. 12, 2018]. Available from Internet, URL: <https://www.amazon.com/Cycling-Mountain-Bicycle-Anti-slip-Shock-absorbing/dp/B01MU4QSB0> (Year: 2018).*

First Manufacturing Co. Black Fingerless Gloves, posted at jpcycles.com, posting date not given, [online], [site visited Feb. 12, 2018]. Available from Internet, URL: <https://www.jpcycles.com/product/534-238/first-manufacturing-co-black-fingerless-gloves-with-red-flames> (Year: 2018).*

(Continued)

Primary Examiner — George D. Kirschbaum

Assistant Examiner — Maria J Edwards

(74) *Attorney, Agent, or Firm* — Che-Yang Chen; Law Offices of Scott Warmuth

(57) **CLAIM**

The ornamental design for a glove, as shown and described.

DESCRIPTION

FIG. 1 is a perspective view of a glove showing our new design;

FIG. 2 is a top plan view thereof;

FIG. 3 is a bottom plan view thereof;

FIG. 4 is a front elevational view thereof;

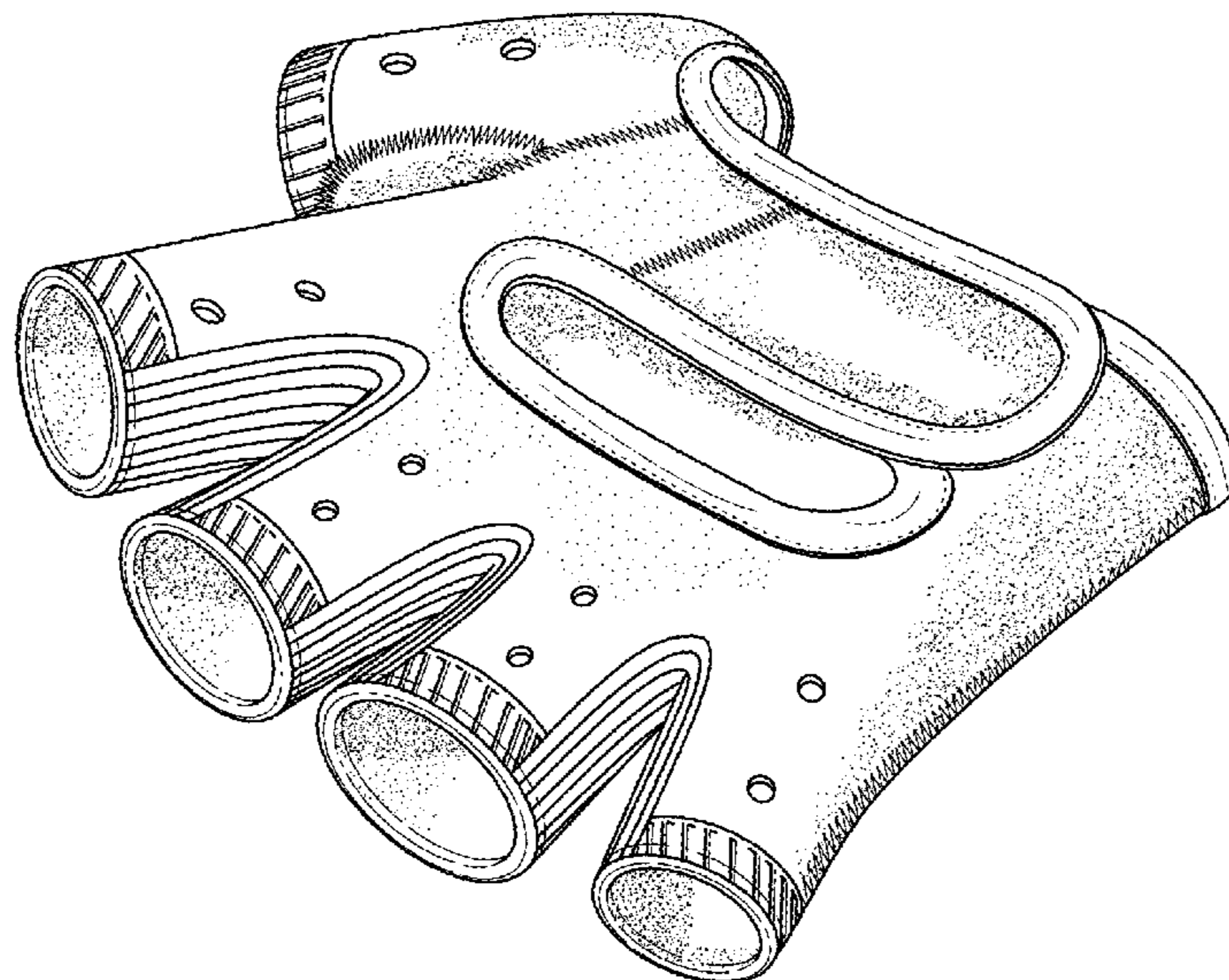
FIG. 5 is a rear elevational view thereof;

FIG. 6 is a right side elevational view thereof; and,

FIG. 7 is a left side elevational view thereof.

The broken lines illustrate stitching and form part of the claimed design.

1 Claim, 5 Drawing Sheets



(56)

References Cited

OTHER PUBLICATIONS

Mountain Bike Gloves, posted at amazon.com, posting date not given, [online], [site visited Feb. 12, 2018]. Available from Internet, URL: <https://www.amazon.com/Mountain-Bike-Gloves-Fingerless-Wheelchair/dp/B01CWP6LB2> (Year: 2018).*

Proform Women's Training Gloves, posted at walmart.com, posting date not given, [online], [site visited Feb. 12, 2018]. Available from Internet, URL: <https://www.walmart.com/ip/Proform-Women-s-Training-Gloves/24537543> (Year: 2018).*

Qepae Cycling Gloves, posted at aliexpress.com, posting date not given, [online], [site visited Feb. 12, 2018]. Available from Internet, URL: <https://www.aliexpress.com/item/Qepae-Summer-Cycling-Gloves-Half-Finger-Gel-Breathable-Shockproof-Night-Biking-Ricing-Gloves-Mountain-Bike-Gloves/32808954588.html> (Year: 2018).*

SEEU Gym Gloves, posted at amazon.com, posting date Jan. 12, 2017, [online], [site visited Feb. 12, 2018]. Available from Internet, URL: <https://www.amazon.co.uk/SEEU-Training-Weightlifting-Crossfit-Bodybuilding/dp/B01N5OKWR0> (Year: 2017).*

* cited by examiner

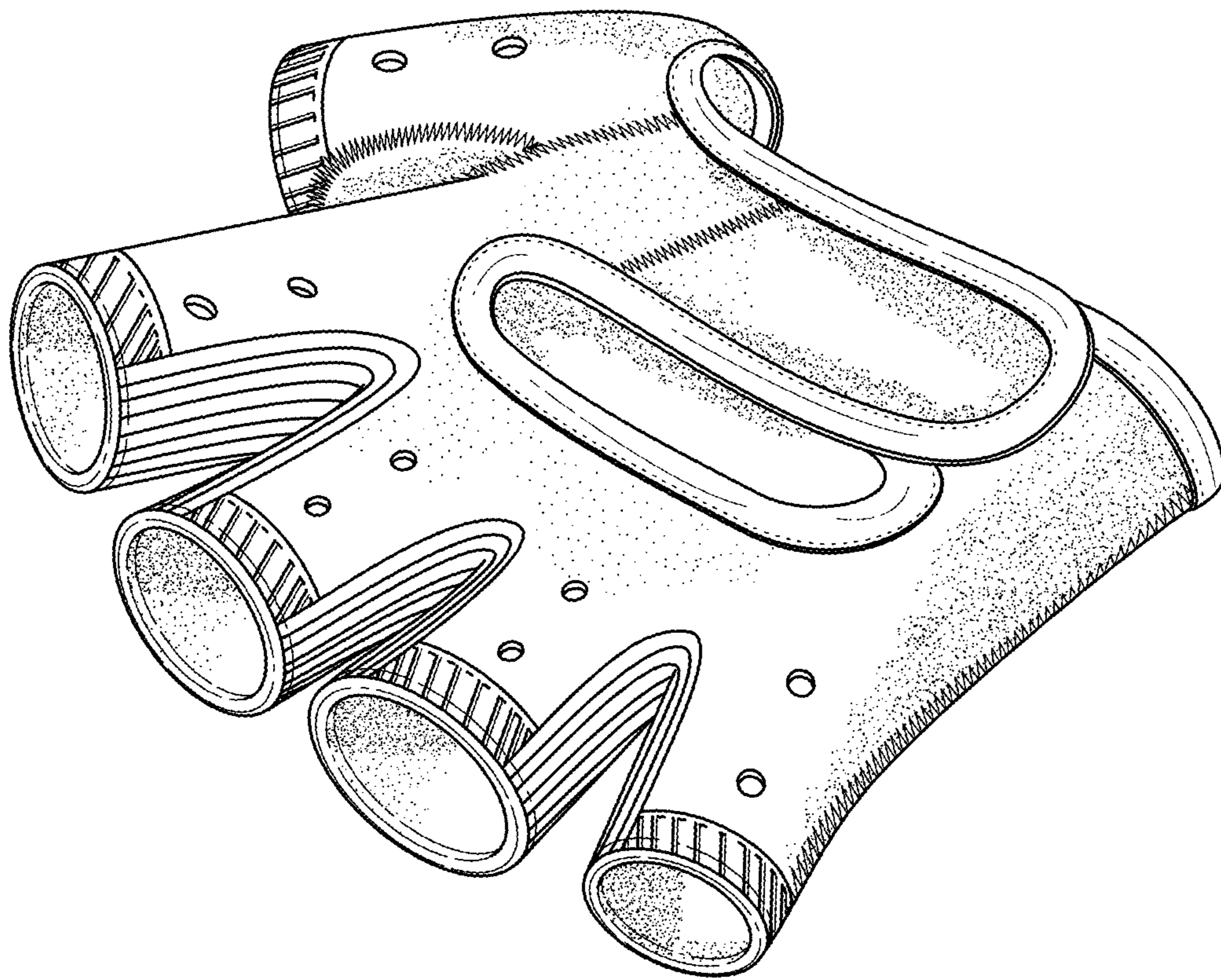


FIG. 1

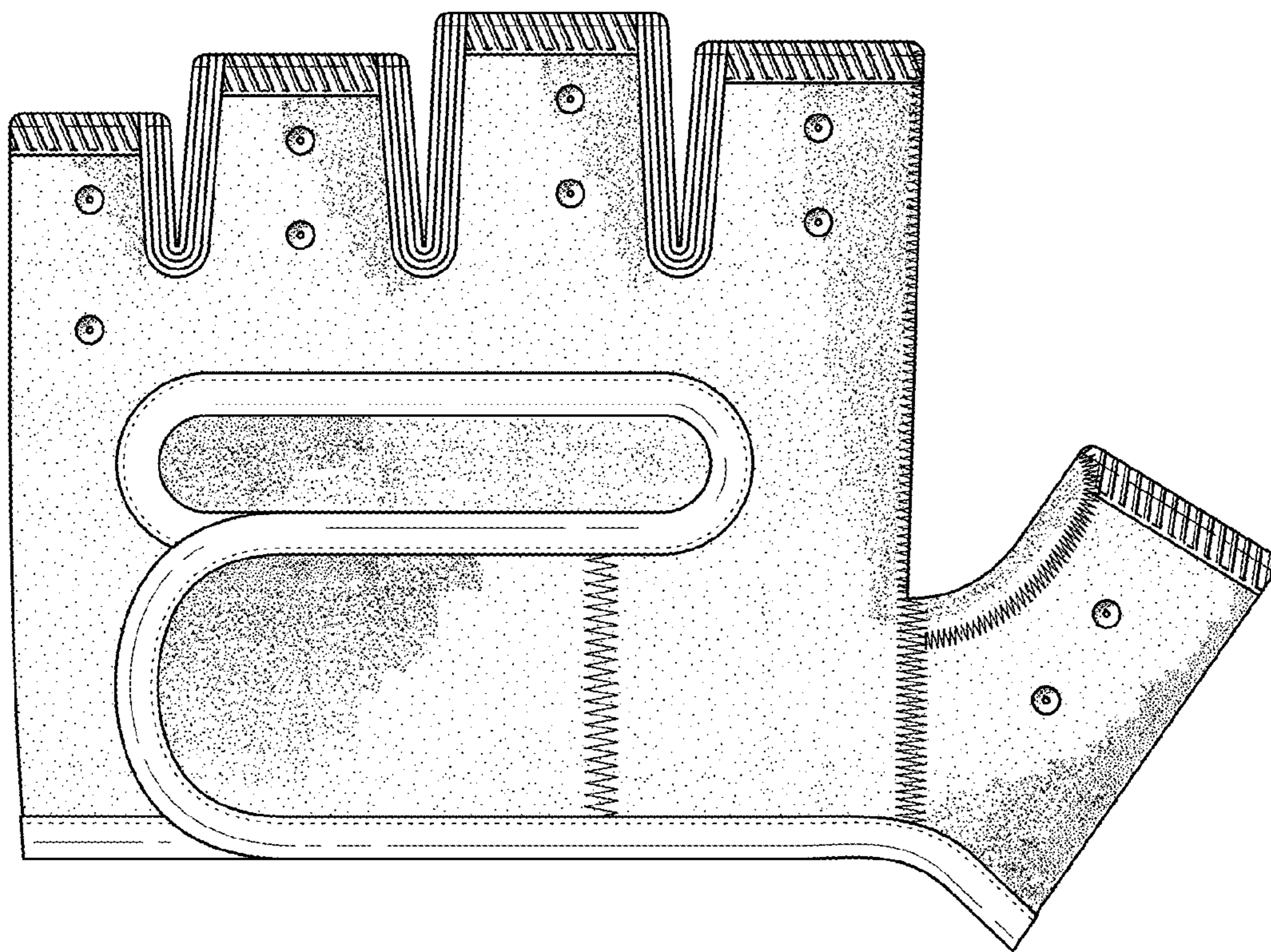


FIG. 2

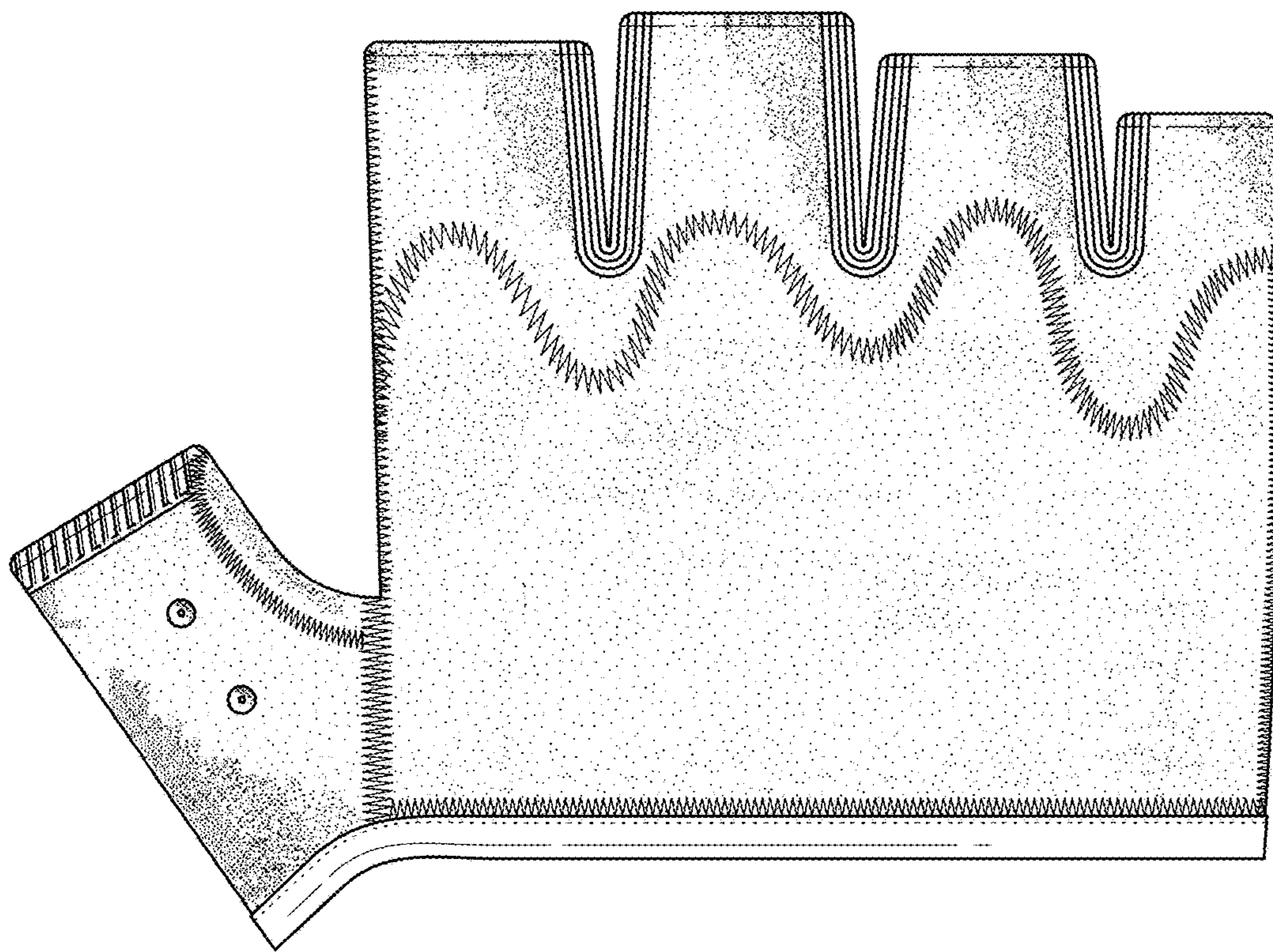


FIG. 3

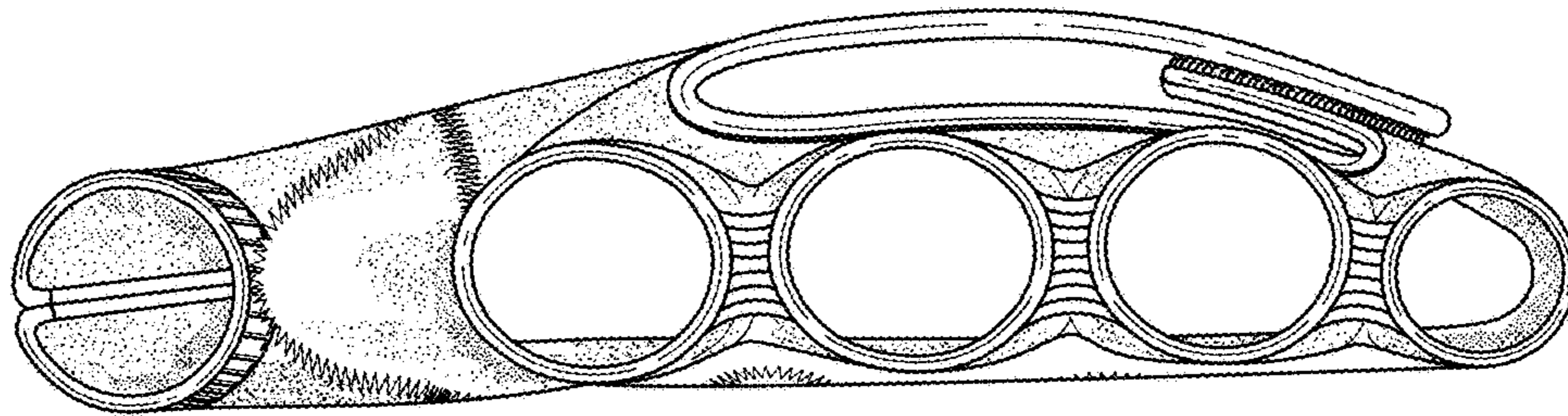


FIG. 4

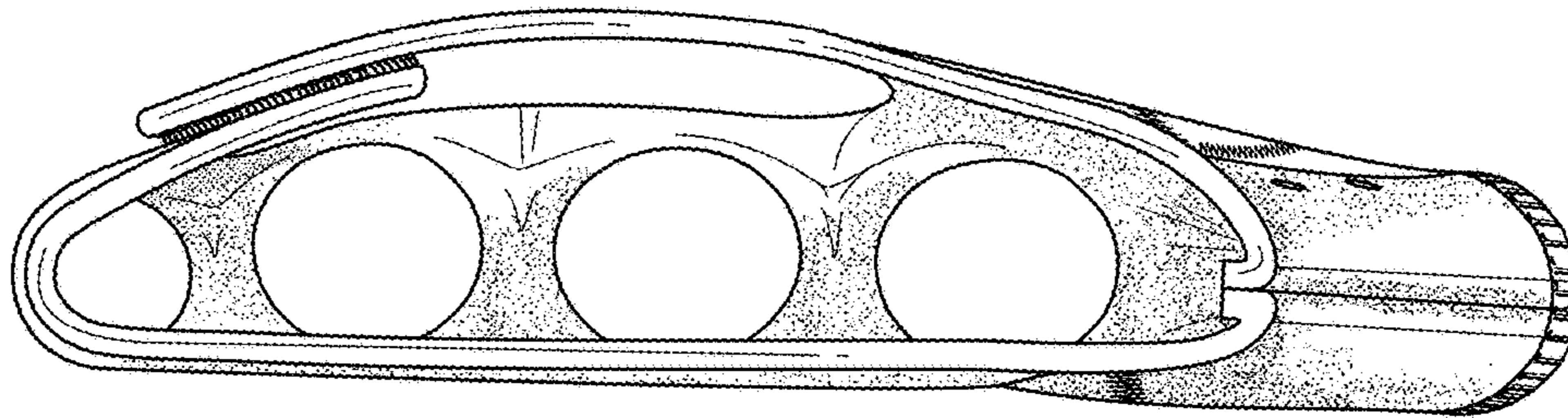


FIG. 5

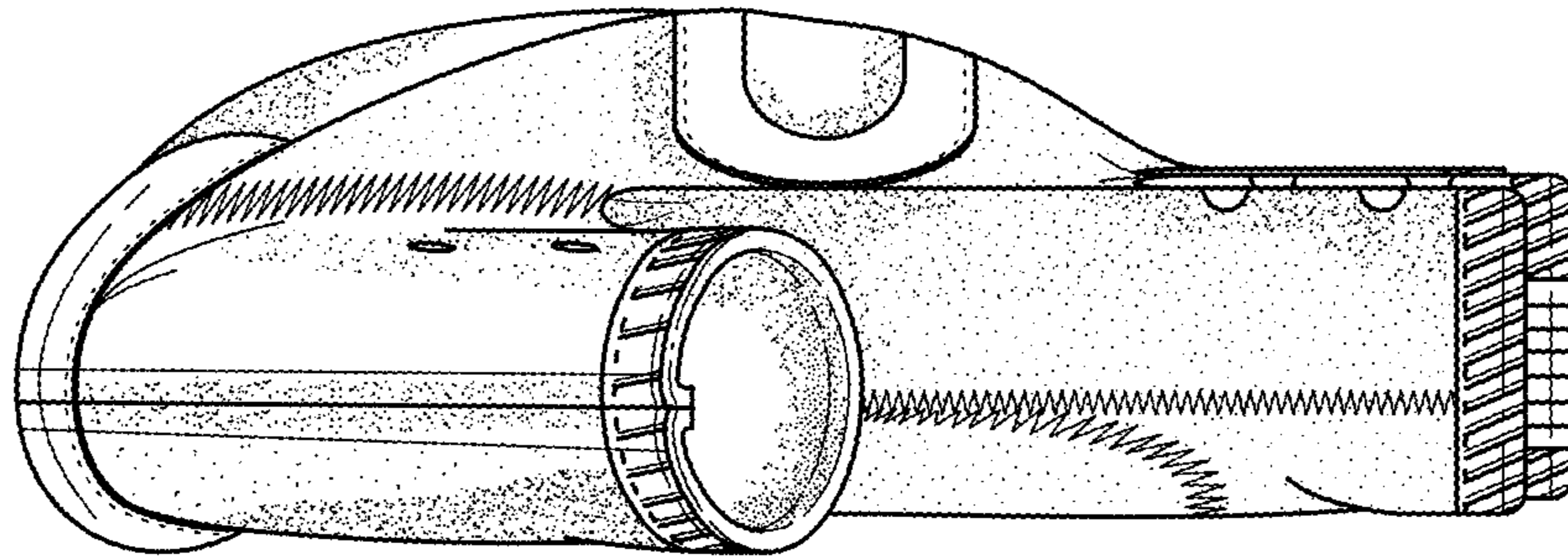


FIG. 7

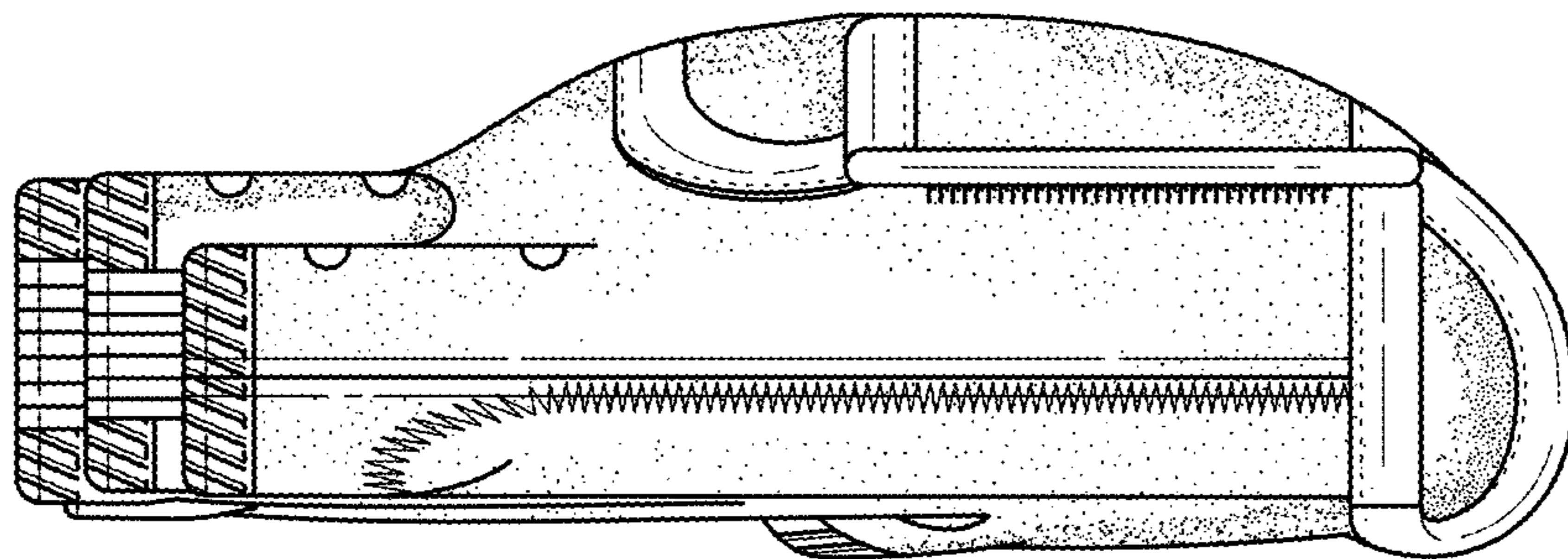


FIG. 6