

US00D824629S

(12) **United States Design Patent** (10) **Patent No.:** **US D824,629 S**  
**Libman et al.** (45) **Date of Patent:** **\*\* Jul. 31, 2018**

(54) **DUSTPAN**

<<https://www.homedepot.com/p/OXO-Good-Grips-Upright-Sweep-Set-1335280/302033086>> on Mar. 12, 2018.

(71) Applicant: **The Libman Company**, Arcola, IL (US)

(Continued)

(72) Inventors: **Andrew D. Libman**, Champaign, IL (US); **Aaron Libman**, Champaign, IL (US); **Robert J. Libman**, Arcola, IL (US); **Jon Franklin**, St. Joseph, IL (US); **Carlos Aguiar**, Burgo (PT); **Fernando De Jesus Santos**, Maceira Lra (PT)

*Primary Examiner* — Austin Murphy

(74) *Attorney, Agent, or Firm* — Banner & Witcoff, Ltd.

(57) **CLAIM**

The ornamental design for a dustpan, as shown and described.

**DESCRIPTION**

(73) Assignee: **The Libman Company**, Arcola, IL (US)

FIG. 1 is a top, front, left perspective view of a dustpan showing our new design;

(\*\*) Term: **15 Years**

FIG. 2 is an enlarged top, front, left perspective view thereof with additional unclaimed subject matter omitted;

(21) Appl. No.: **29/597,616**

FIG. 3 is front view thereof;

(22) Filed: **Mar. 17, 2017**

FIG. 4 is a rear view thereof;

(51) **LOC (11) Cl.** ..... **07-05**

FIG. 5 is a left side view thereof;

(52) **U.S. Cl.**

FIG. 6 is a right side view thereof;

USPC ..... **D32/74**

FIG. 7 is a top view thereof;

(58) **Field of Classification Search**

USPC ..... D32/74, 41; D30/162; D7/691, 688;

FIG. 8 is a bottom view thereof;

D4/116; 15/257.5, 257.3, 257.2, 257.1;

FIG. 9 is a top, front, left perspective view of an alternative claimed configuration of a dustpan showing our new design;

134/6

FIG. 10 is a is an enlarged top, front, left perspective view thereof with additional unclaimed subject matter omitted;

(Continued)

FIG. 11 is front view thereof;

(56) **References Cited**

FIG. 12 is a rear view thereof;

**U.S. PATENT DOCUMENTS**

248,344 A 10/1881 Perry

FIG. 13 is a left side view thereof;

445,278 A 1/1891 Libman et al.

FIG. 14 is a right side view thereof;

(Continued)

FIG. 15 is a top view thereof; and,

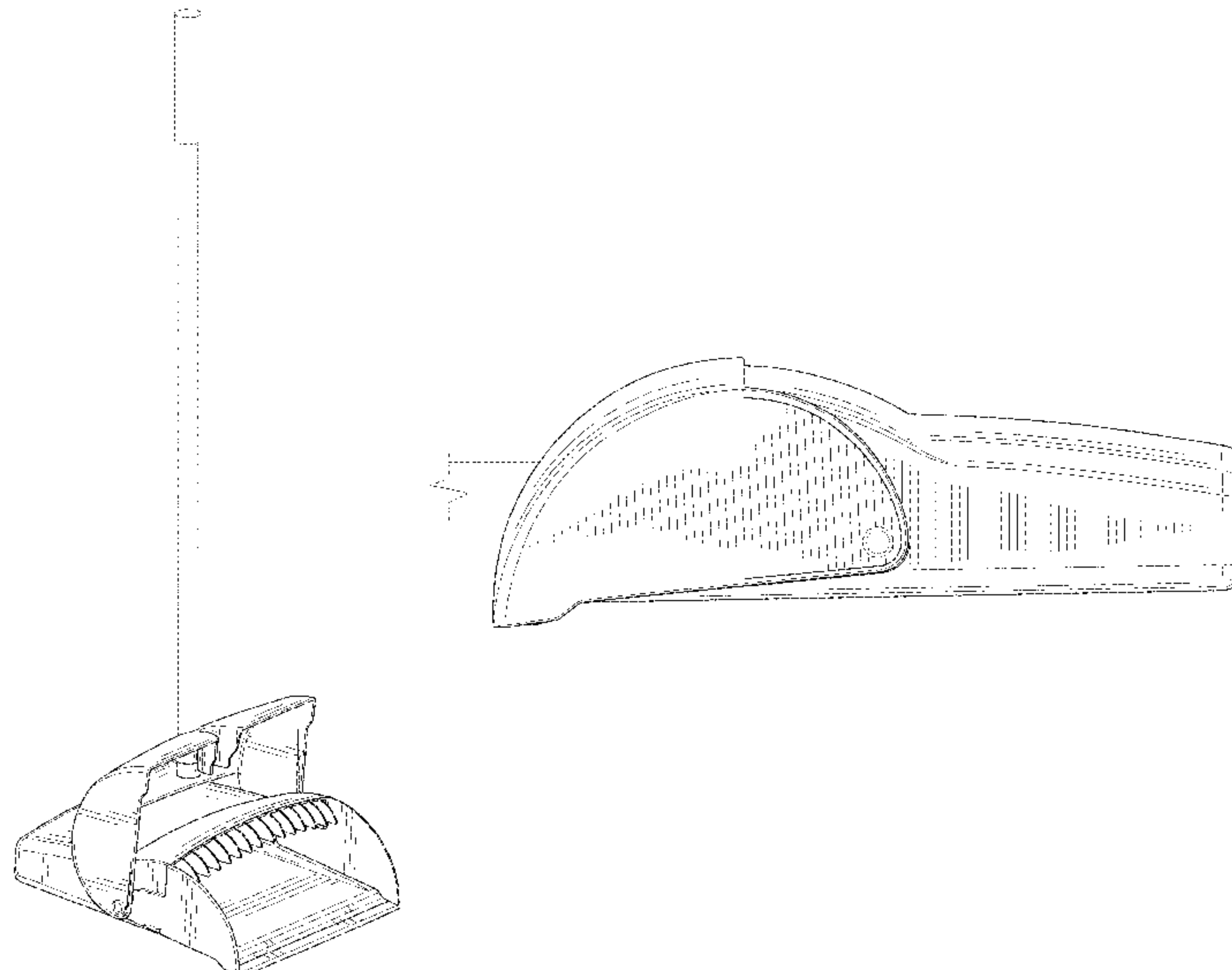
**OTHER PUBLICATIONS**

“Oxo Good Grips Upright Sweep Set,” publication date unknown, but prior to the filing date of the present application, retrieved from

FIG. 16 is a bottom view thereof.

The break lines shown only in FIGS. 2-6, 10 and 13-16 as broken lines are imaginary lines that form no part of the dustpan or the claimed design. The broken lines immediately adjacent to the shaded area represent unclaimed boundaries of the design. The broken lines showing the remainder of the dustpan represent unclaimed subject matter and form no part of the claimed design.

**1 Claim, 16 Drawing Sheets**



(58) **Field of Classification Search**  
 CPC ..... A47L 13/52; A47L 13/51; A46B 15/00;  
 A46B 15/0097; A46B 15/0095; A46B  
 17/04; A46B 5/00; A46B 2200/302  
 See application file for complete search history.

(56) **References Cited**

U.S. PATENT DOCUMENTS

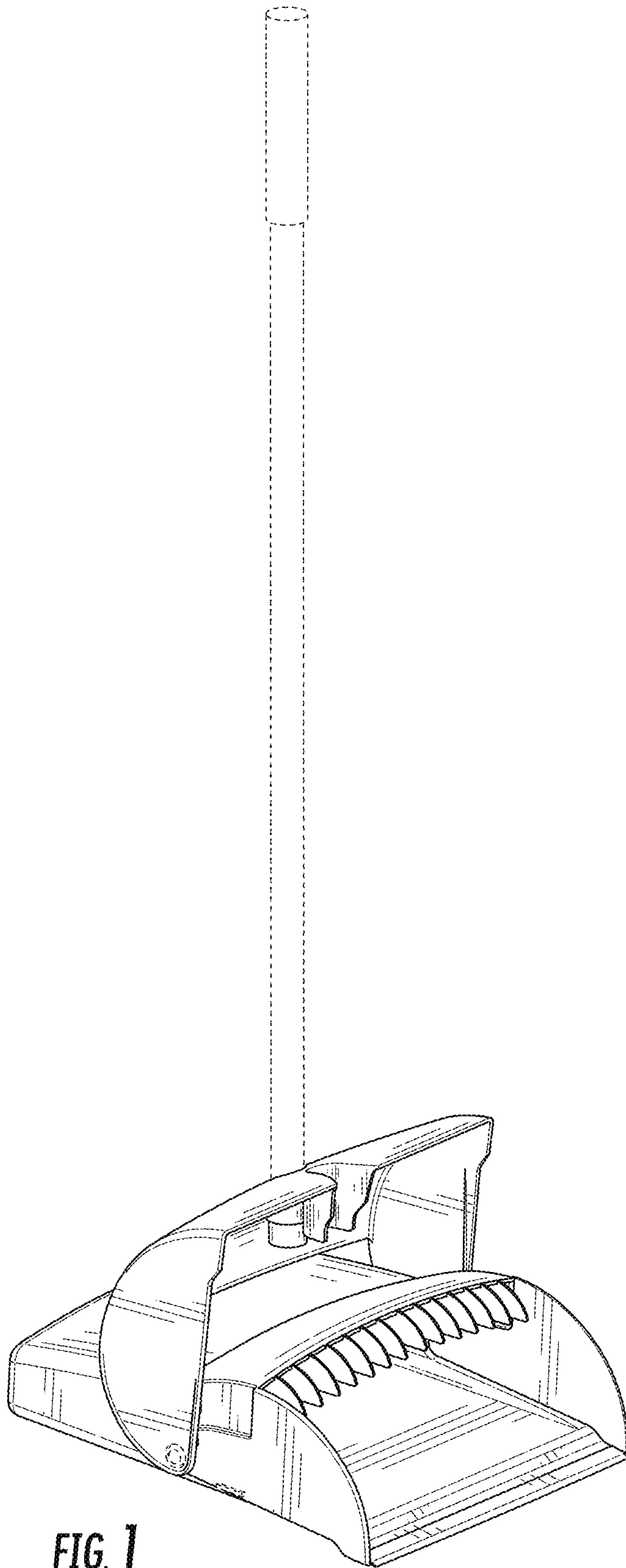
1,225,540	A	5/1917	Wells	
1,315,310	A	9/1919	Kelley	
1,683,517	A	9/1928	Bentley	
1,768,277	A	6/1930	White	
3,768,851	A	10/1973	Freeman	
5,457,844	A	10/1995	Hanna et al.	
D393,120	S	3/1998	Leonard et al.	
5,826,297	A	10/1998	Footer et al.	
5,924,162	A	7/1999	Kalscheur et al.	
D441,933	S *	5/2001	Savage	D32/74
6,282,745	B1	9/2001	Alt	
D461,610	S	8/2002	Perelli	
D463,642	S *	9/2002	Morad	D32/74
6,554,334	B2	4/2003	Rincon Uribe	
D484,659	S *	12/2003	Perelli	D32/74
6,732,402	B1 *	5/2004	Hsu	A47L 13/52 15/257.6
D493,265	S *	7/2004	Libman	D32/74
6,902,060	B2	6/2005	Michelson et al.	
D509,035	S *	8/2005	Libman	D32/74
D545,022	S *	6/2007	Morad	D32/74
D551,820	S *	9/2007	Morad	D32/74

D555,316	S	11/2007	Hay	
D556,968	S	12/2007	Juergens	
D586,519	S *	2/2009	Casteel	D32/74
D594,618	S *	6/2009	ekercio lu	D32/74
D599,073	S *	8/2009	Caleca	D32/74
D601,769	S *	10/2009	Cox	D32/74
D630,401	S	1/2011	Libman et al.	
D636,139	S *	4/2011	Jones	D32/74
D684,331	S *	6/2013	Vasilakes	D32/74
8,555,459	B2	10/2013	Ward et al.	
D695,471	S *	12/2013	Buhagiar	D30/162
8,701,243	B2	4/2014	Ward et al.	
D720,911	S	1/2015	Libman et al.	
D740,508	S *	10/2015	Brandon	D32/53
9,474,428	B2	10/2016	Sampaio	
D784,646	S *	4/2017	Baker	D32/74
2005/0071943	A1	4/2005	Liu	
2013/0152331	A1	6/2013	Ward et al.	
2014/0310909	A1	10/2014	Ward et al.	
2016/0338564	A1	11/2016	Ward et al.	

OTHER PUBLICATIONS

“Broom Groomer Pro,” publication date unknown, but prior to the filing date of the present application, retrieved from <<http://www.shopgirldaily.com/product/broom-groomer-pro/>> on Mar. 12, 2018.  
 “Libman Lobby Broom and Dustpan”, publication date unknown, but prior to the filing date of the present application, retrieved from <<https://www.homedepot.com/p/Libman-Lobby-Broom-and-Dustpan-1152300054984>> on Mar. 12, 2018.

\* cited by examiner



**FIG. 1**



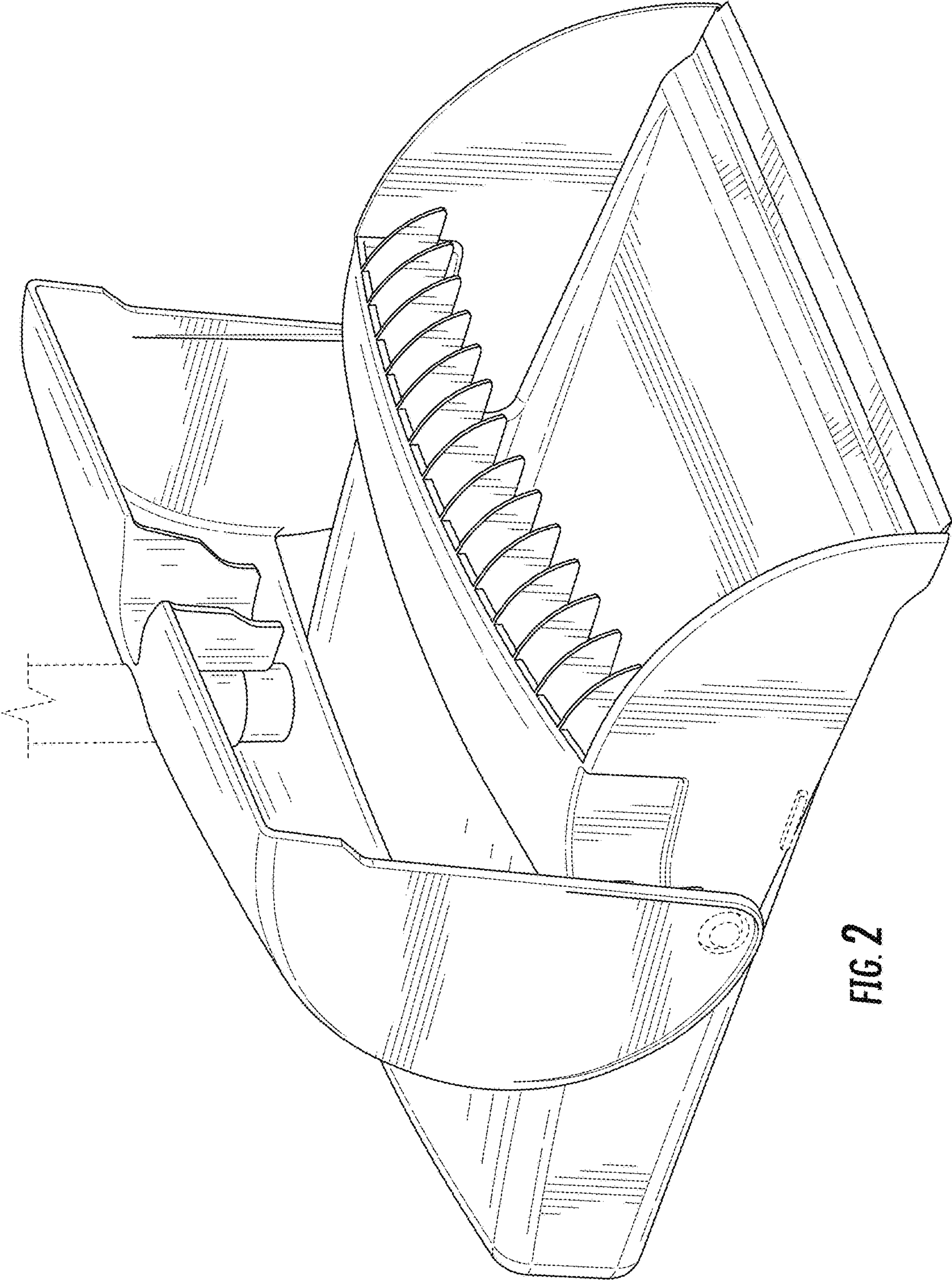


FIG. 2

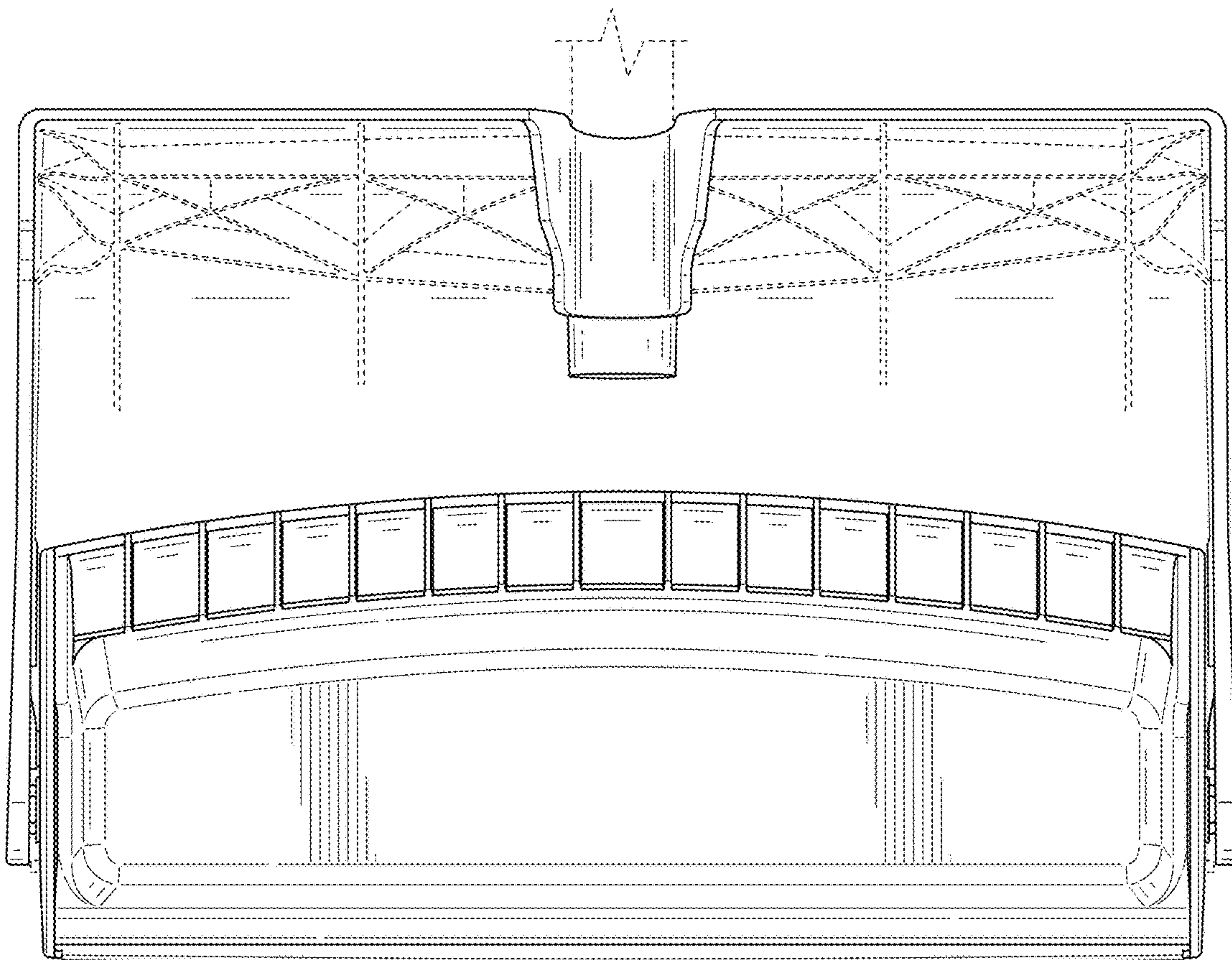


FIG. 3

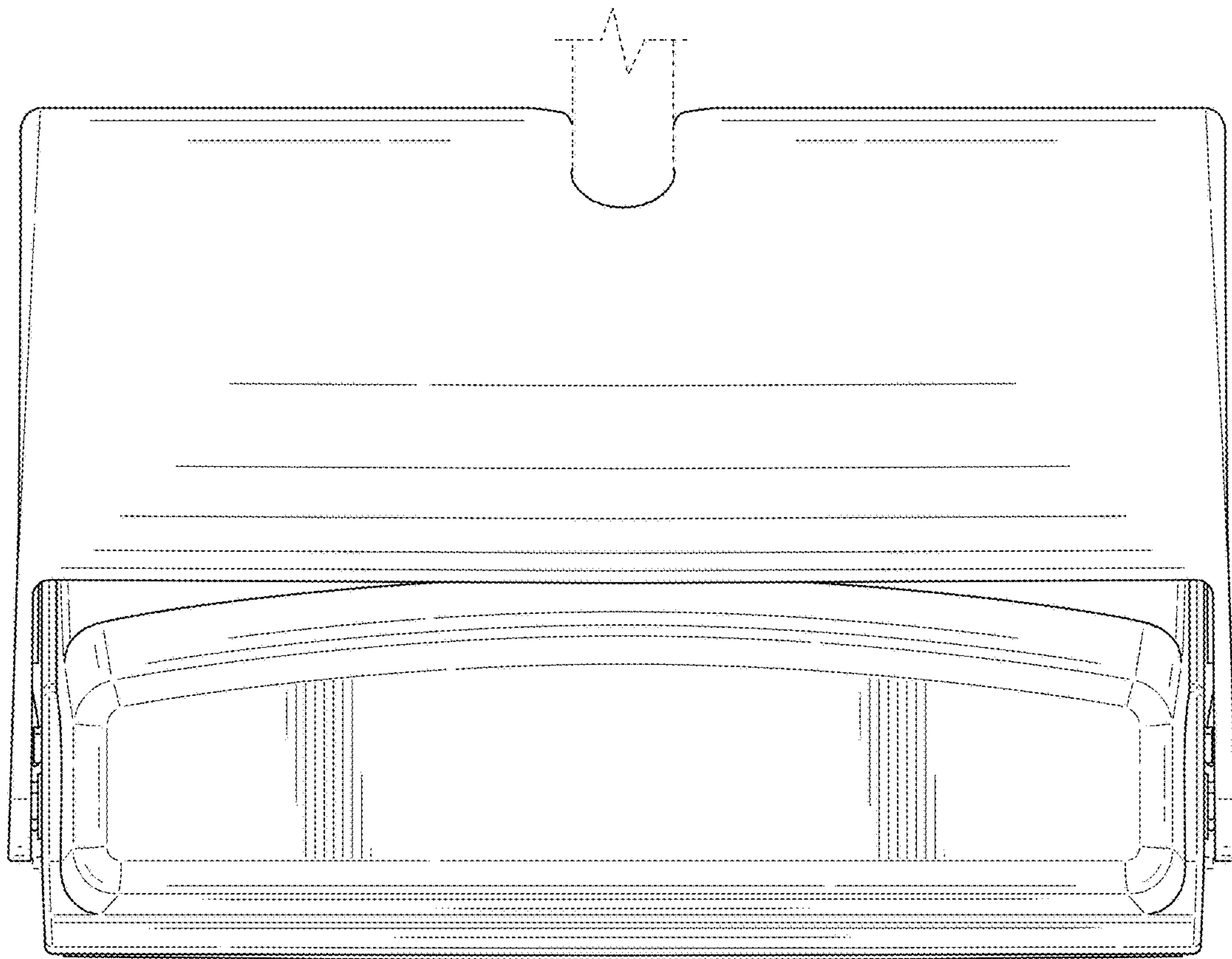


FIG. 4

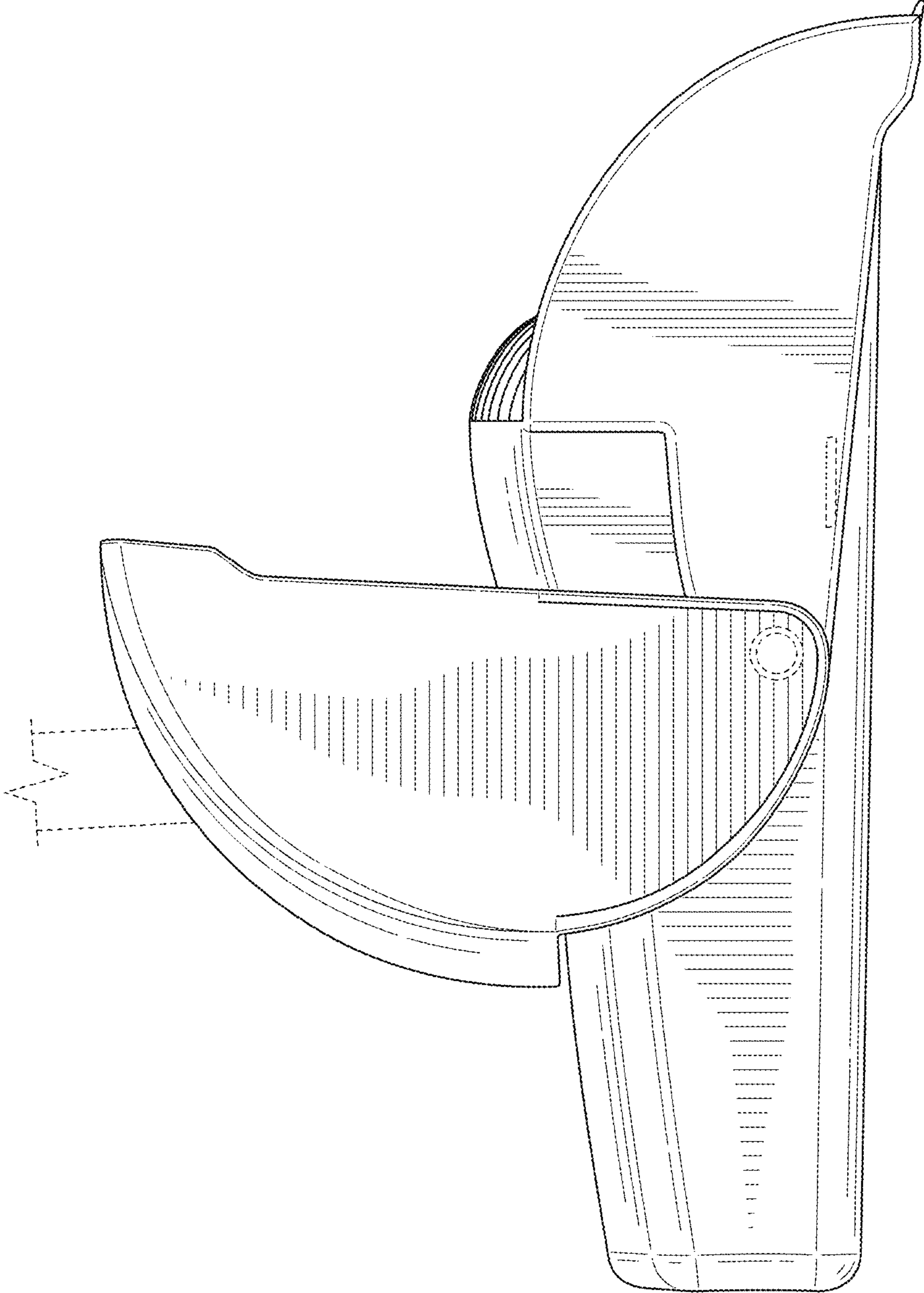


FIG. 5



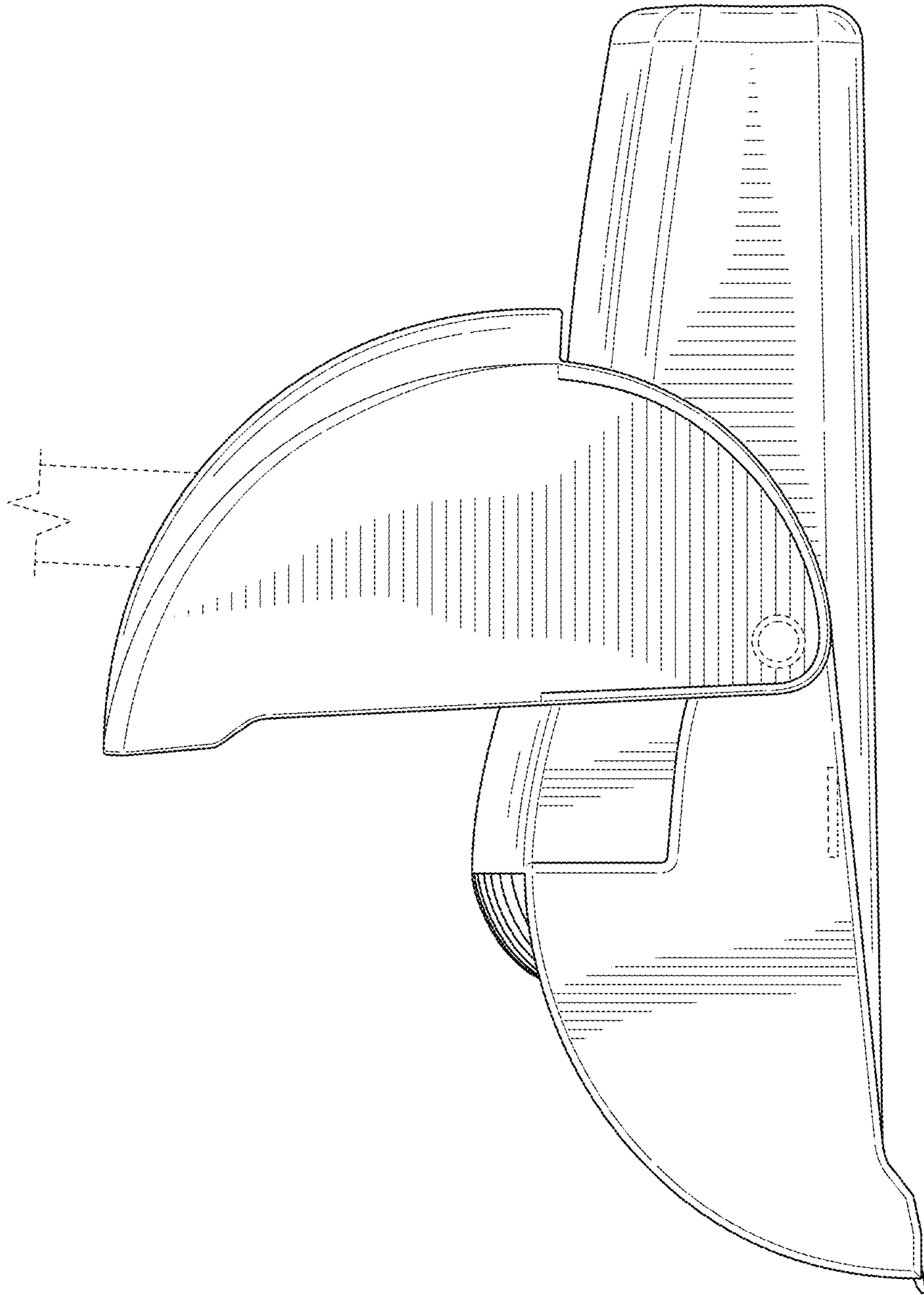


FIG. 6



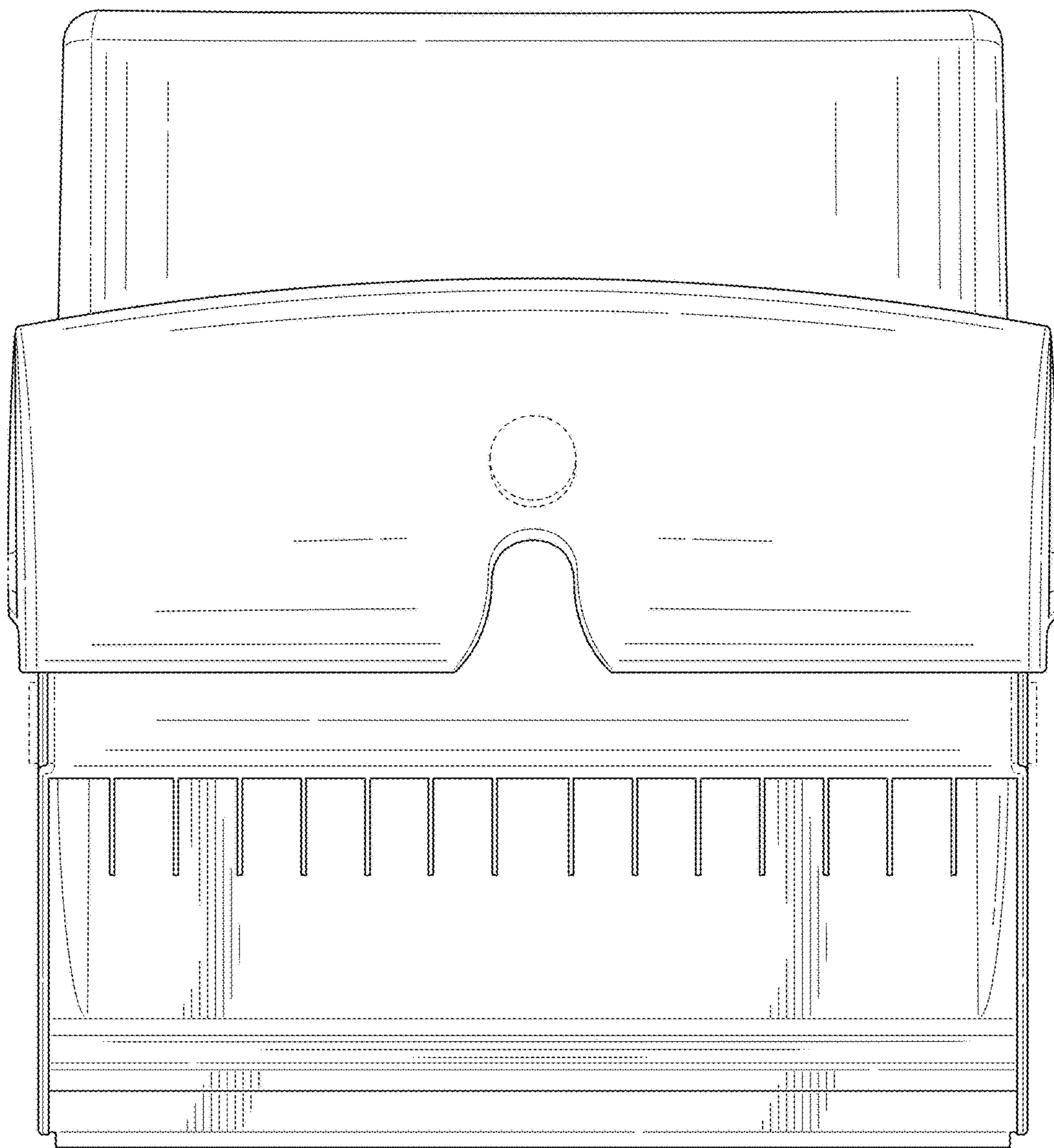


FIG. 7

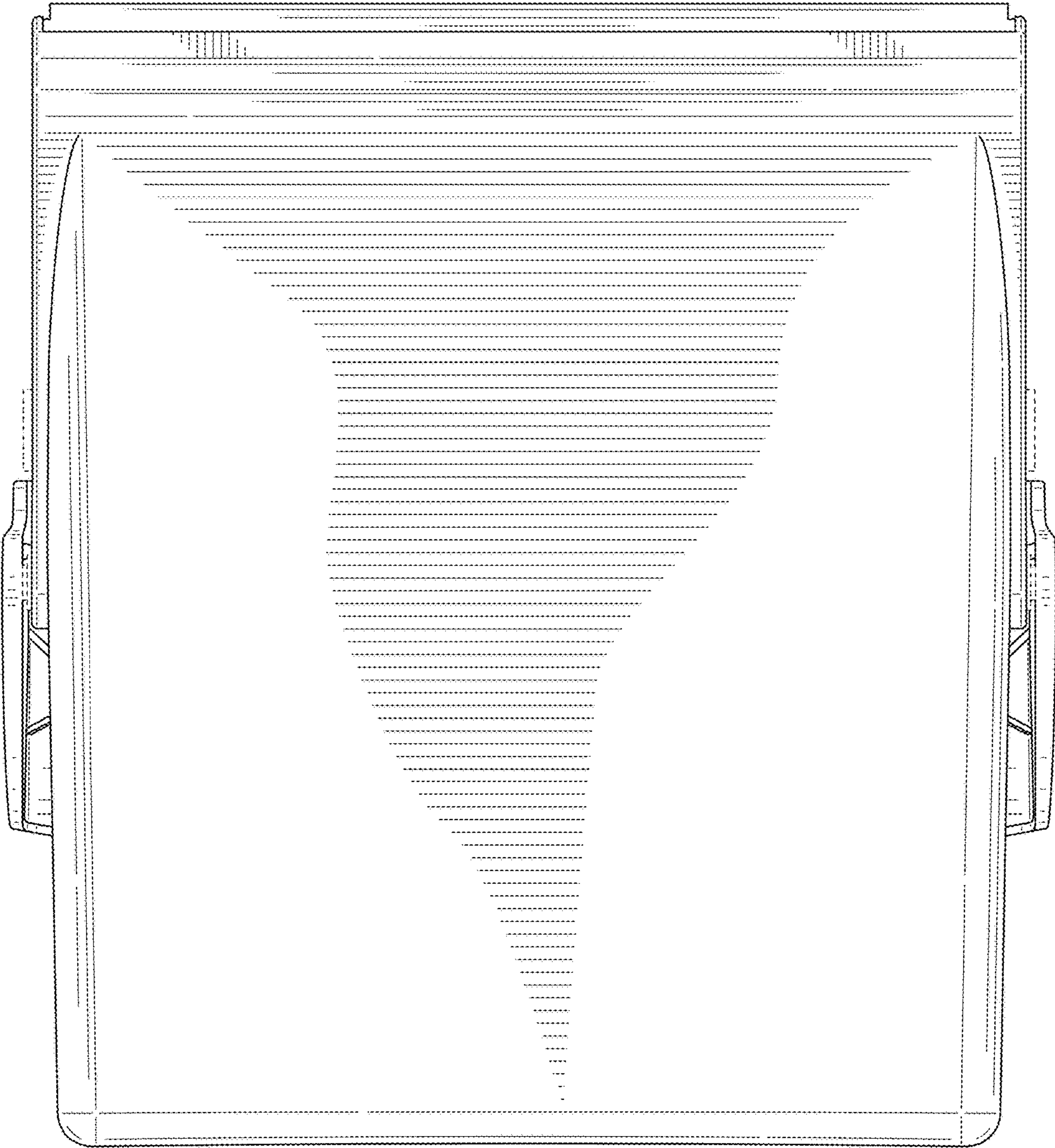


FIG. 8

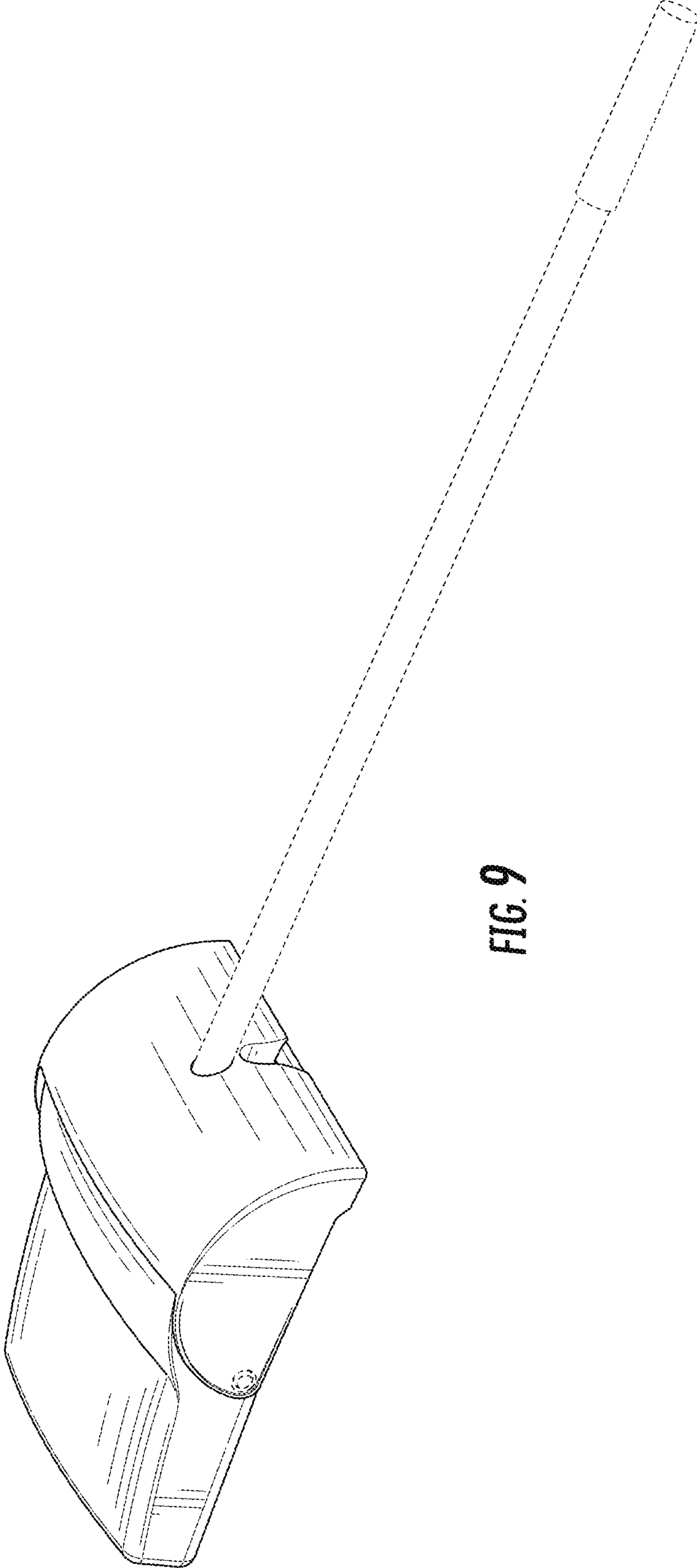


FIG. 9

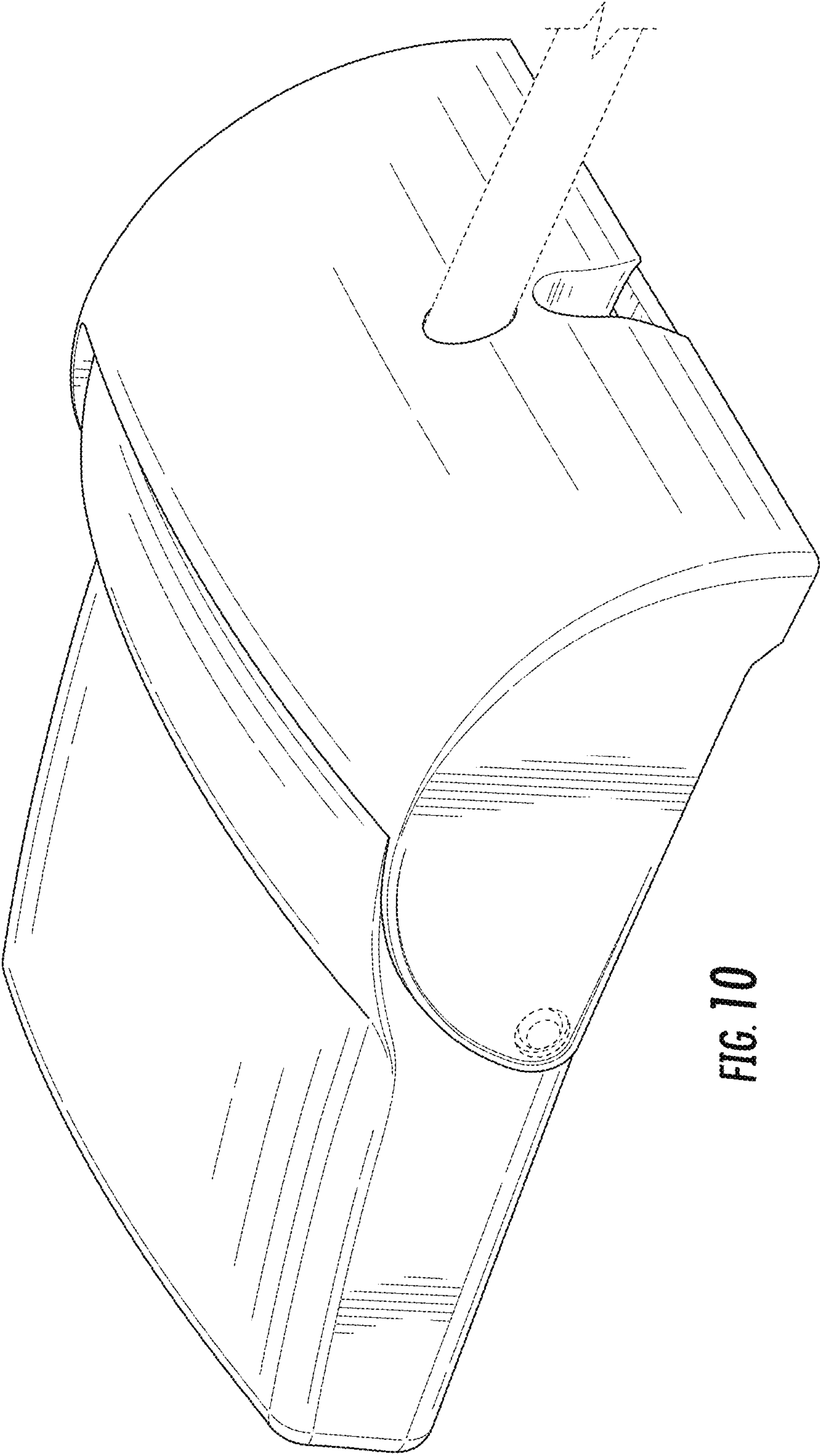
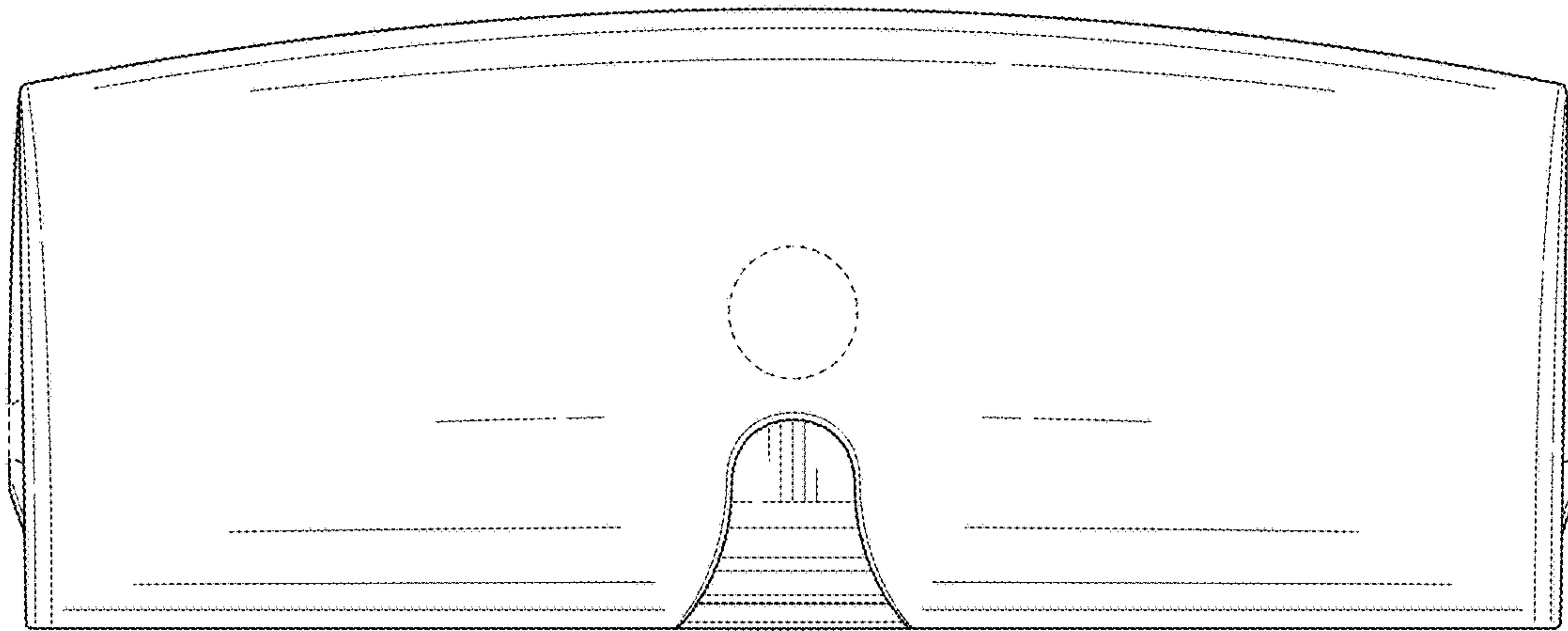


FIG. 10





**FIG. 11**

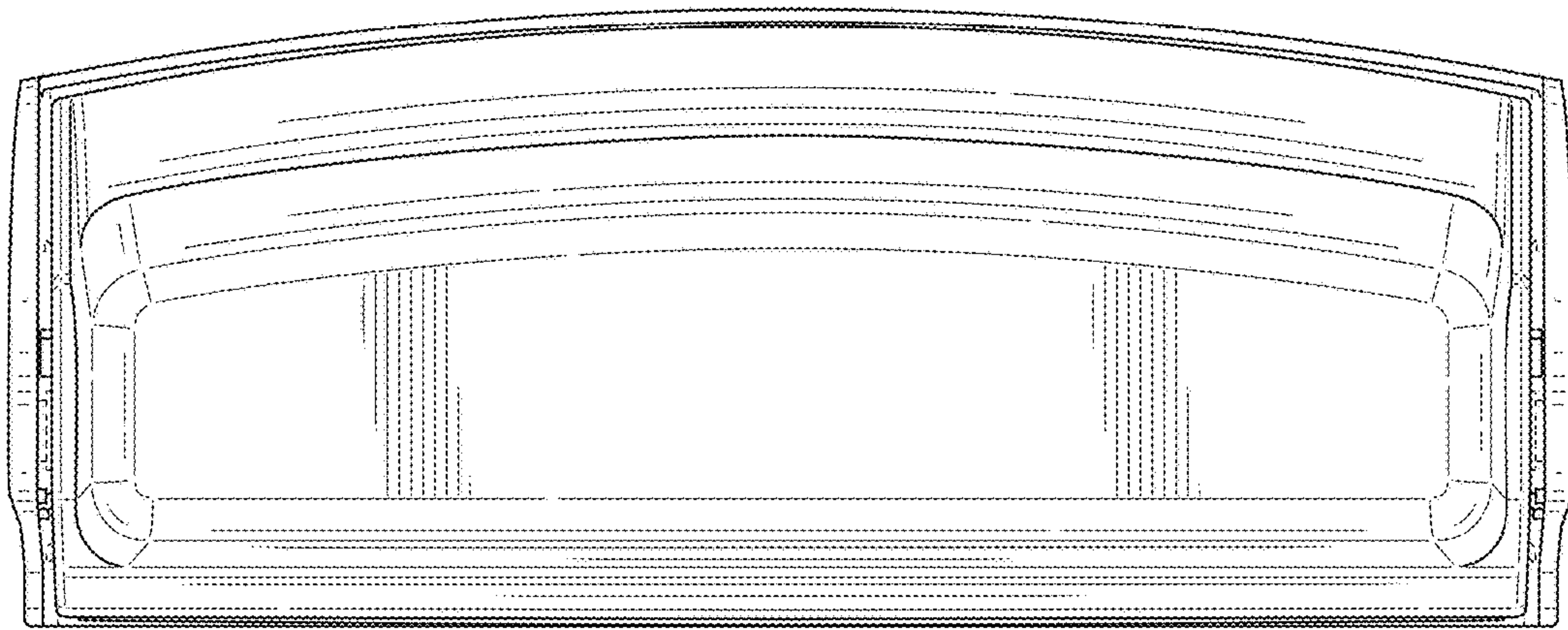


FIG. 12

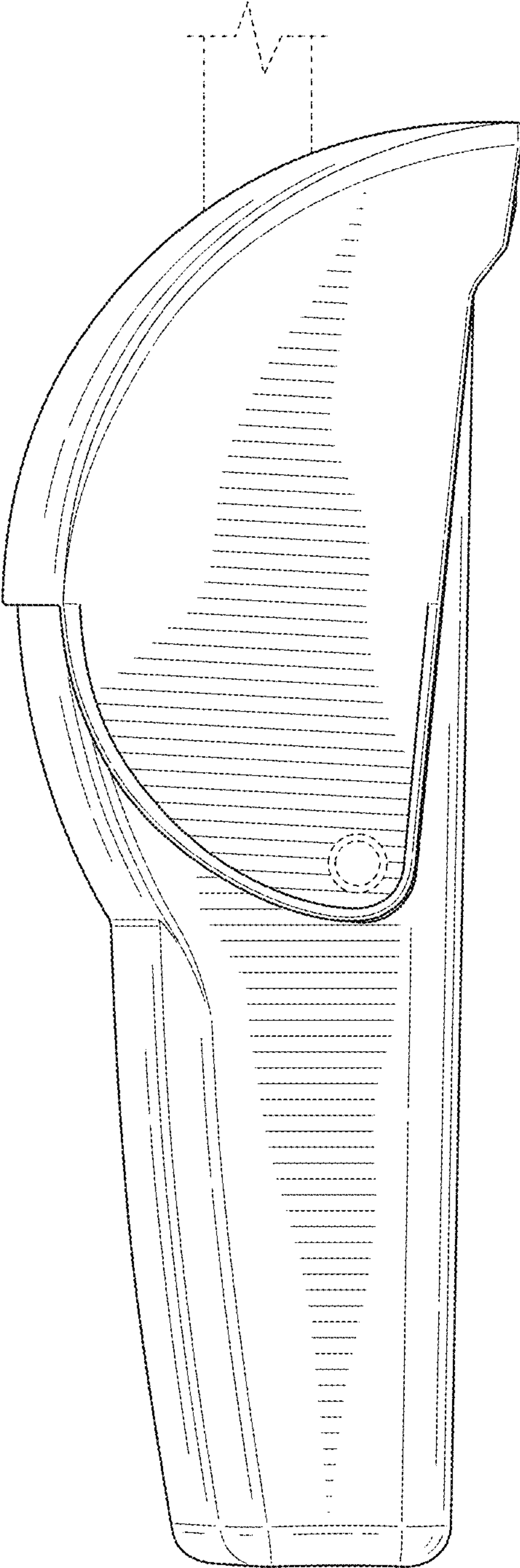


FIG. 13

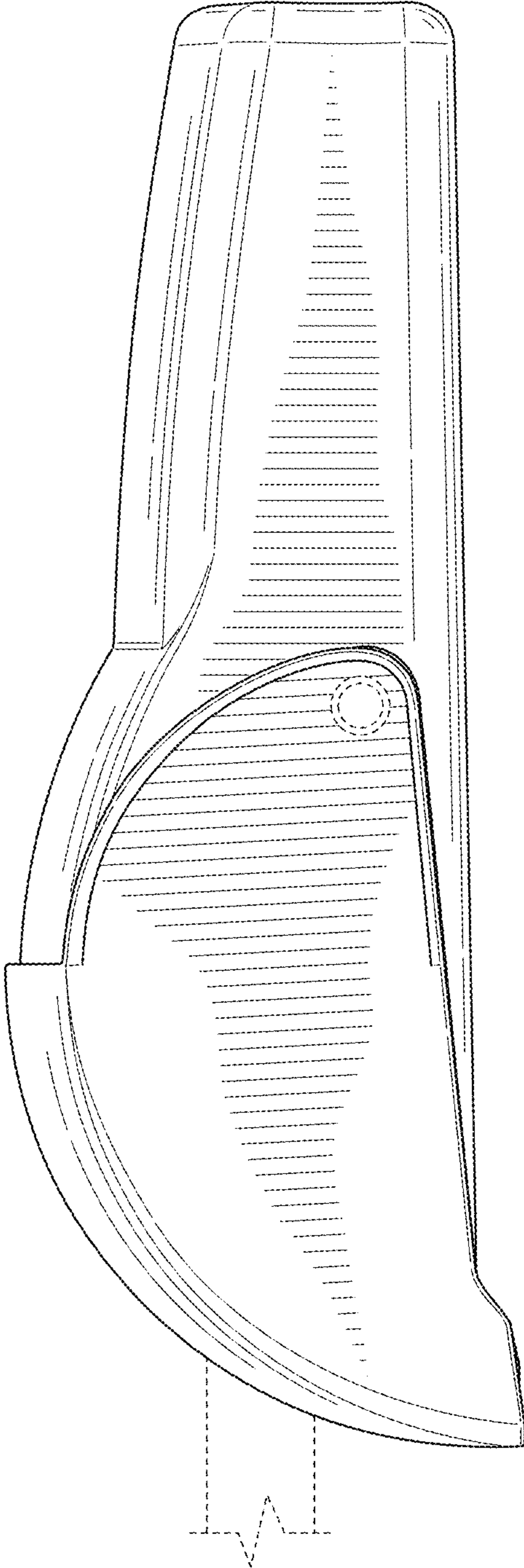


FIG. 14



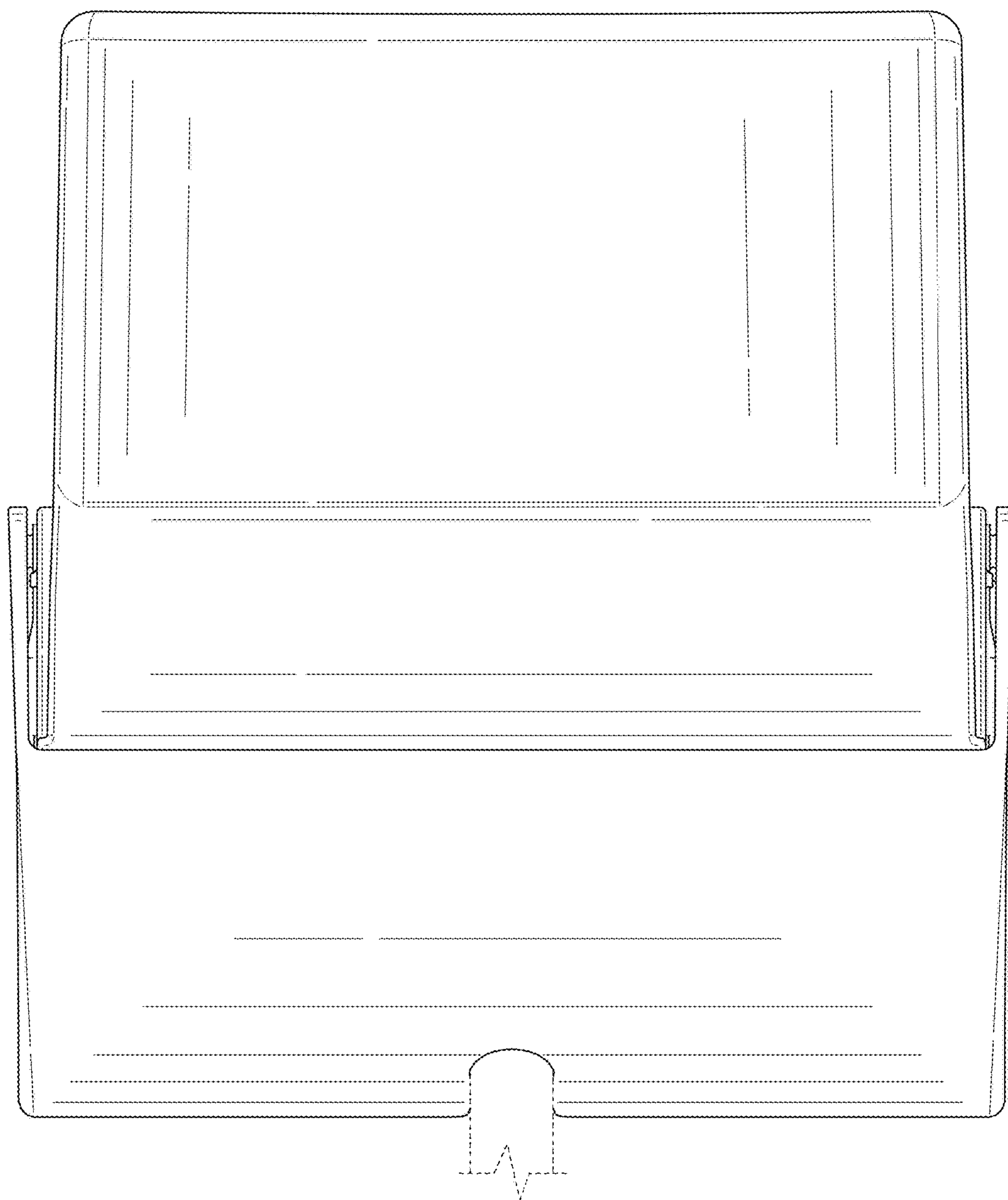


FIG. 15

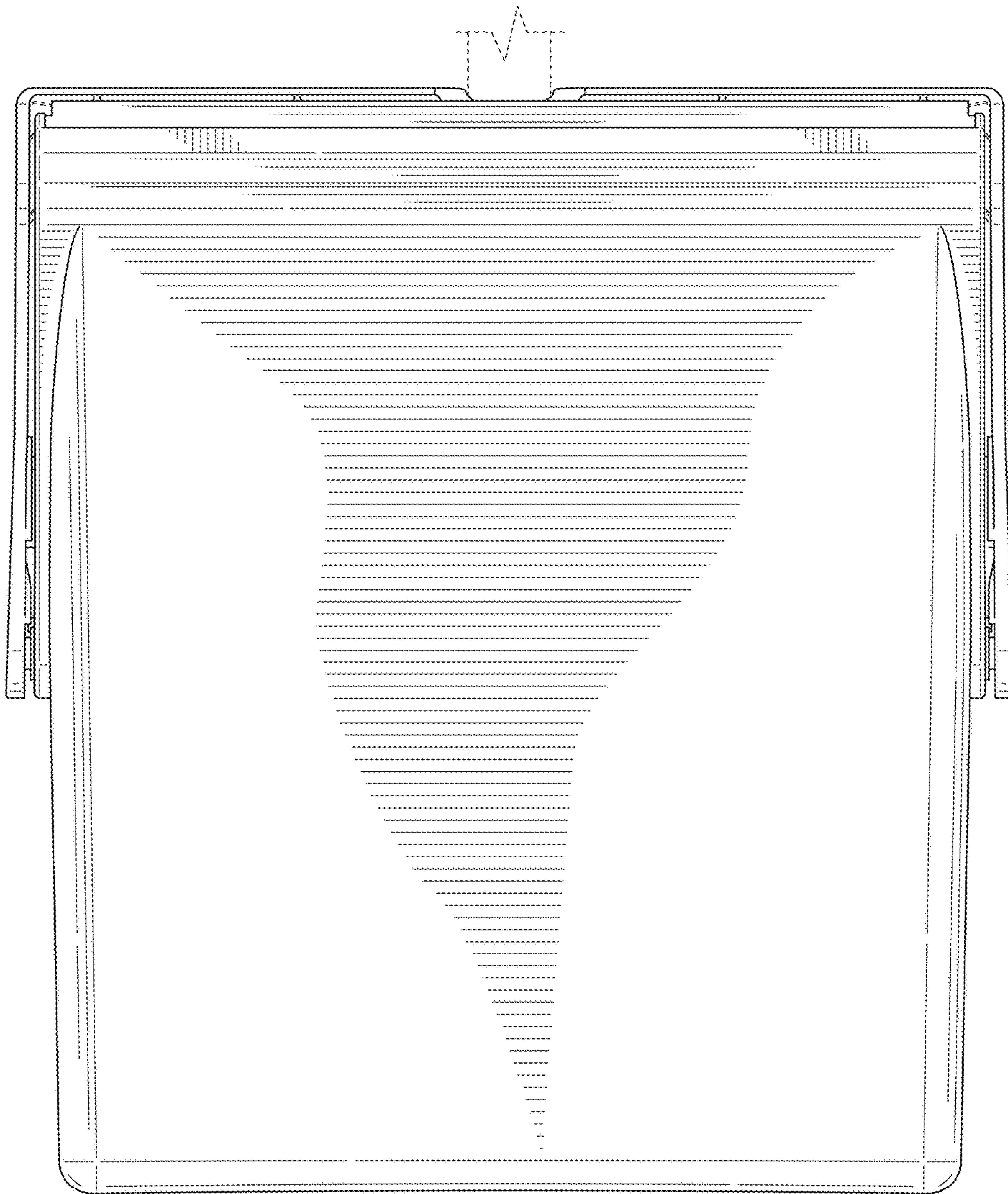


FIG. 16