



US00D824627S

(12) **United States Design Patent**  
**Brugora**

(10) **Patent No.:** **US D824,627 S**  
(45) **Date of Patent:** **\*\* Jul. 31, 2018**

(54) **WRINGER**

(71) Applicant: **Carl Freudenberg KG**, Weinheim  
(DE)

(72) Inventor: **Alessandro Brugora**, Cernusco sul  
Naviglio (IT)

(73) Assignee: **Carl Freudenberg KG**, Weinheim  
(DE)

(\*\*) Term: **15 Years**

(21) Appl. No.: **29/607,960**

(22) Filed: **Jun. 19, 2017**

(30) **Foreign Application Priority Data**

Dec. 22, 2016 (EM) ..... 003534197

(51) **LOC (11) Cl.** ..... **07-07**

(52) **U.S. Cl.**  
USPC ..... **D32/54**

(58) **Field of Classification Search**  
USPC ..... D32/53, 53.1, 54  
See application file for complete search history.

(56) **References Cited**

**U.S. PATENT DOCUMENTS**

5,774,929 A \* 7/1998 Jurgens ..... A47L 13/60  
100/121  
D403,819 S \* 1/1999 Carlson ..... D32/54

D410,310 S \* 5/1999 Haley ..... D32/54  
D427,738 S \* 7/2000 McRorie, III ..... D32/54  
D523,199 S \* 6/2006 Libman ..... D32/54  
7,197,787 B2 \* 4/2007 Sehestedt ..... A47L 13/58  
15/260  
8,122,561 B2 \* 2/2012 Dingert ..... A47L 13/58  
100/110  
D683,095 S \* 5/2013 Vasilakes ..... D32/53  
D694,980 S \* 12/2013 Libman ..... D32/54  
D789,640 S \* 6/2017 Rueckheim ..... D32/54

\* cited by examiner

*Primary Examiner* — Robin V Webster

(74) *Attorney, Agent, or Firm* — Leydig, Voit & Mayer,  
Ltd.

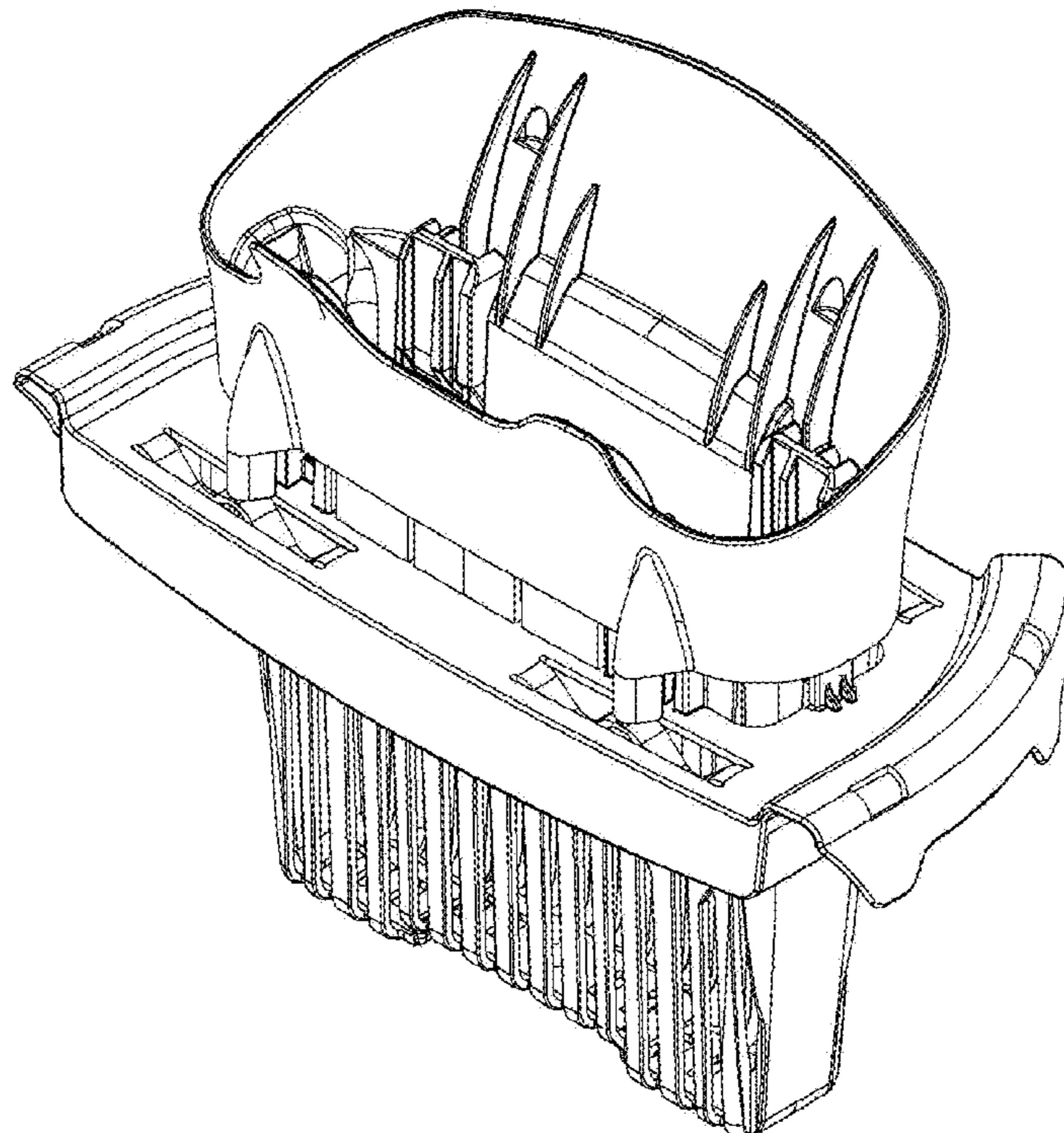
(57) **CLAIM**

The ornamental design for a wringer, as shown and described.

**DESCRIPTION**

FIG. 1 is a top right front perspective view of the wringer showing my new design;  
FIG. 2 is a bottom plan view thereof;  
FIG. 3 is a rear elevational view thereof;  
FIG. 4 is a front elevational view thereof;  
FIG. 5 is a left side elevational view thereof;  
FIG. 6 is a right side elevational view thereof; and,  
FIG. 7 is a top plan view thereof.  
Any broken lines in the drawings indicate portions which form no part of the claimed design.

**1 Claim, 7 Drawing Sheets**



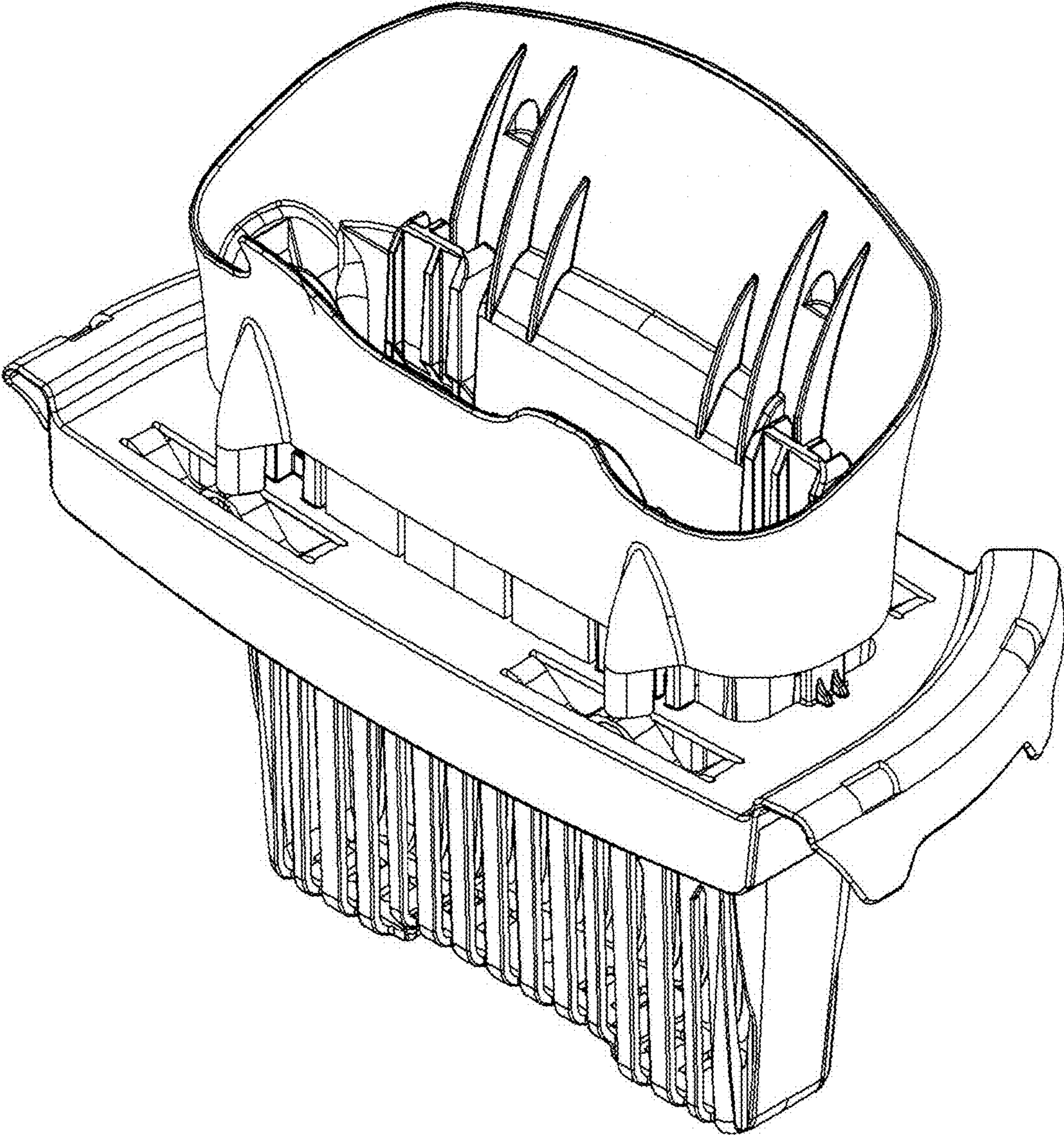
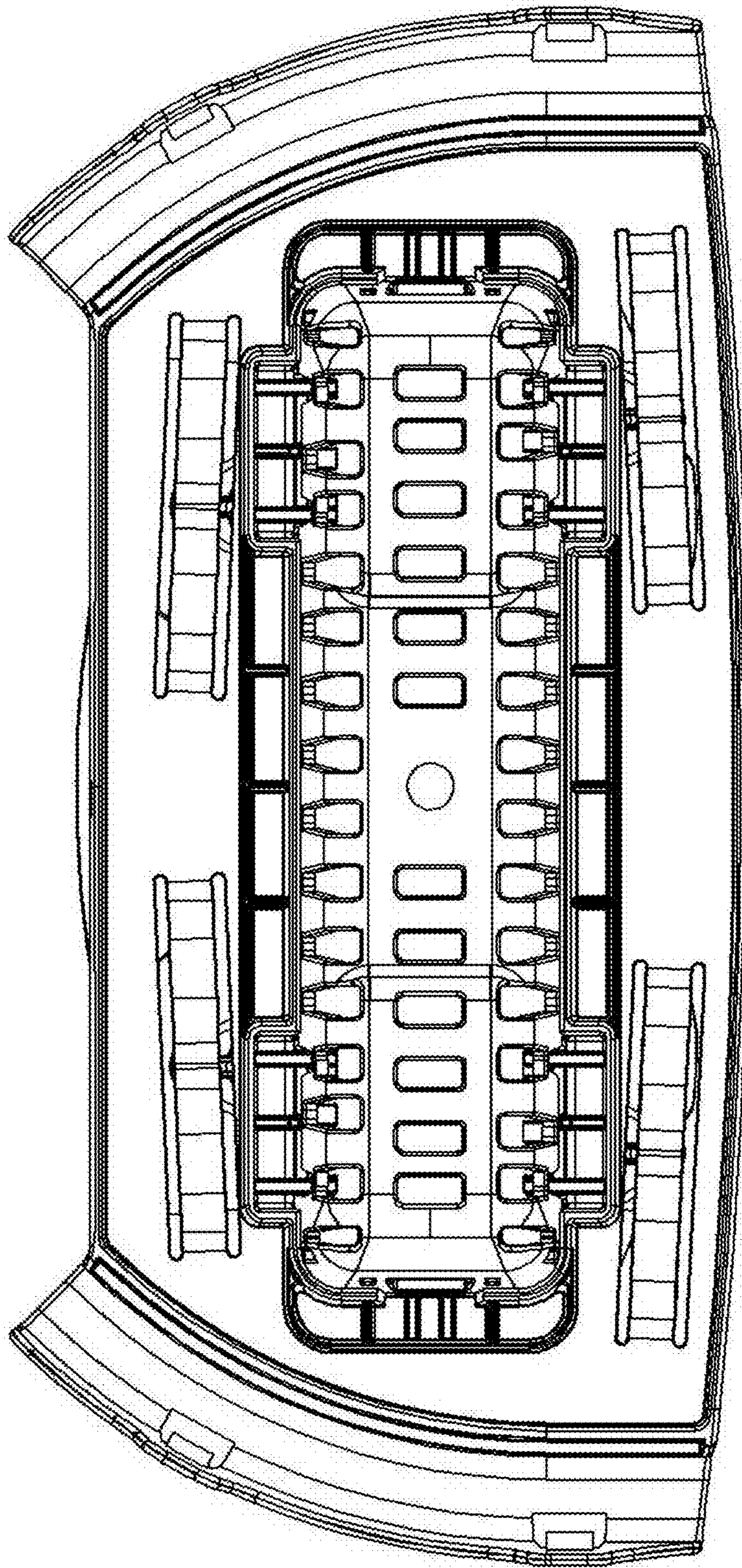


Fig. 1

Fig. 2



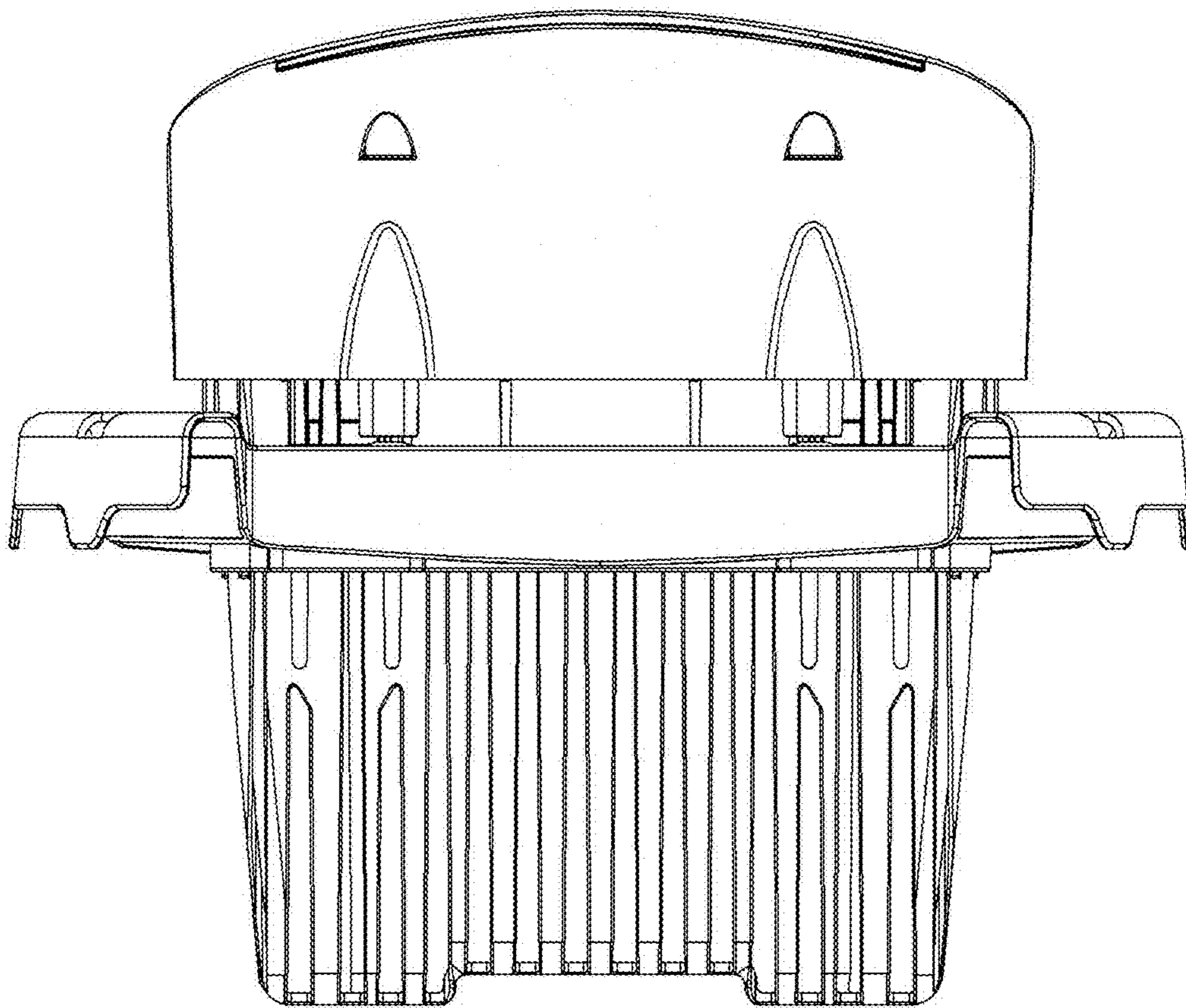


Fig. 3

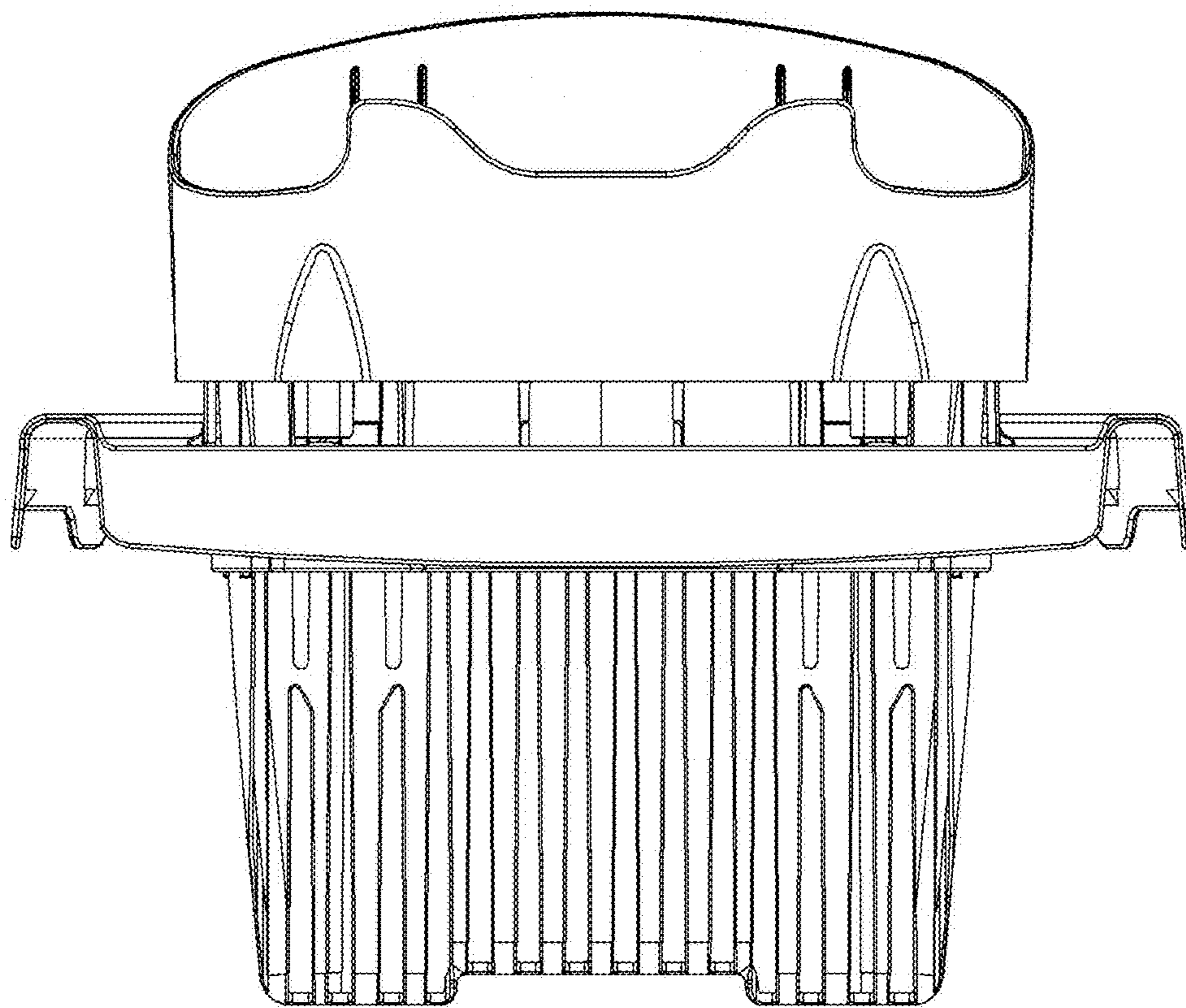


Fig. 4

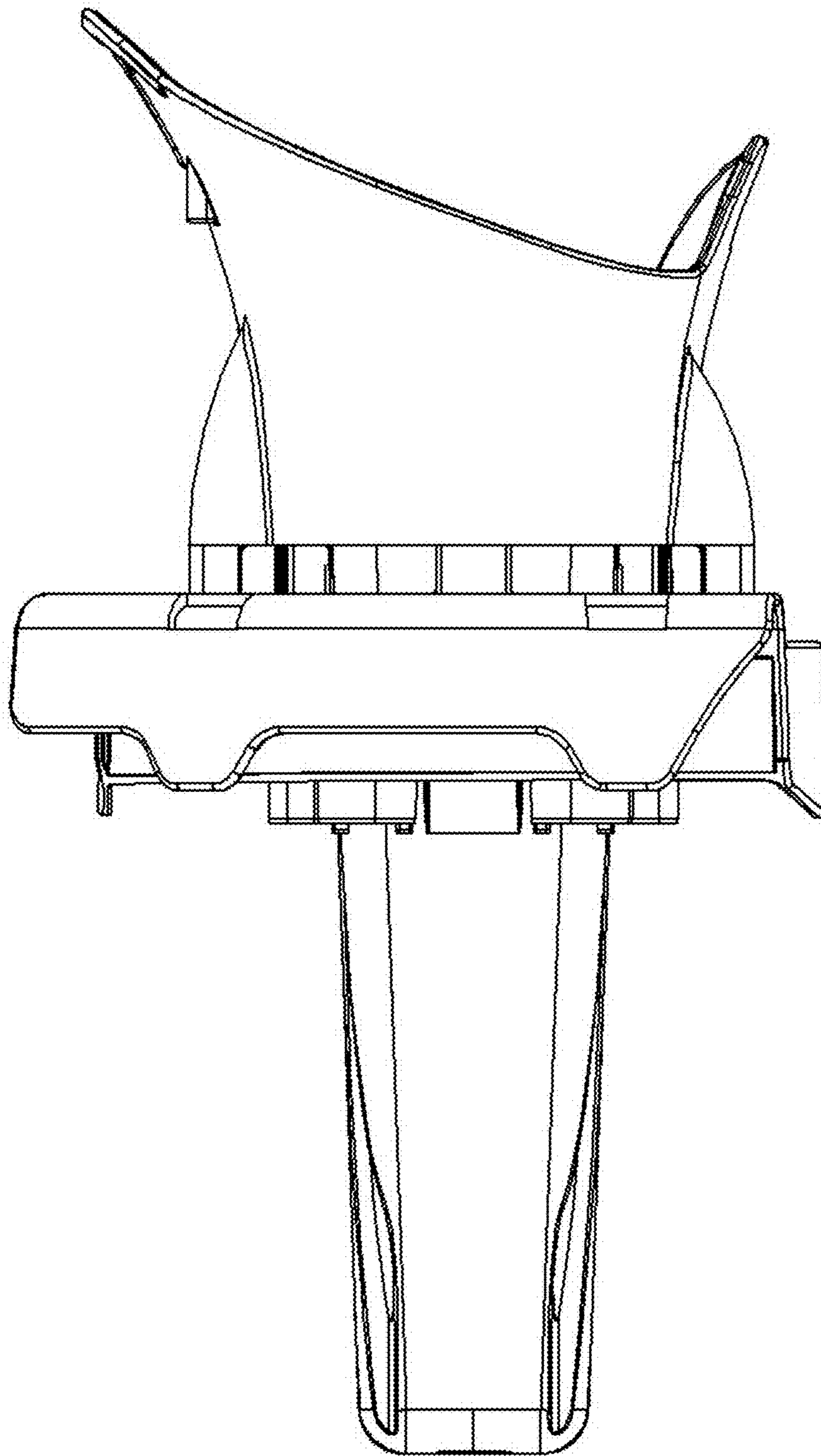


Fig. 5

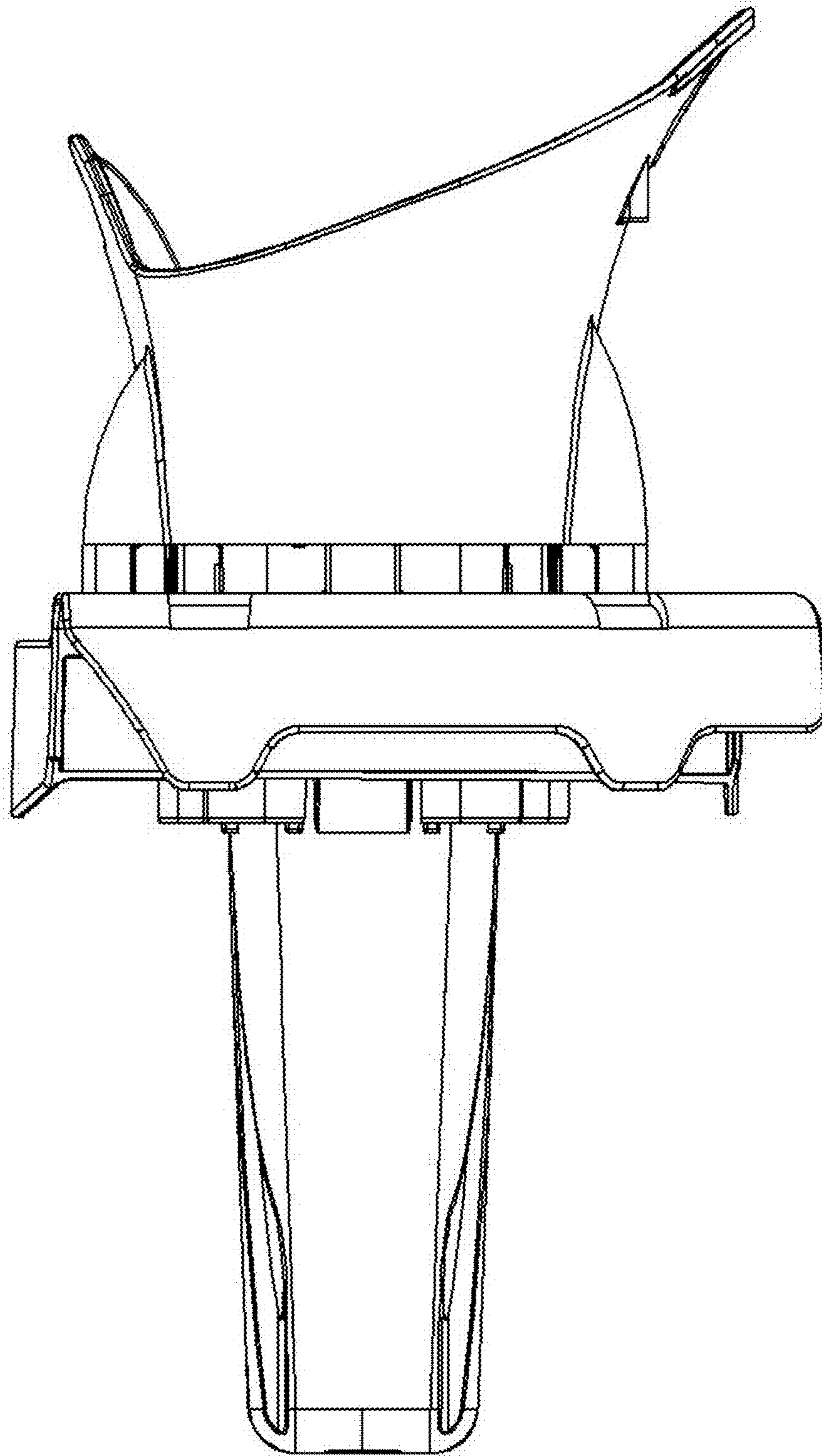


Fig. 6

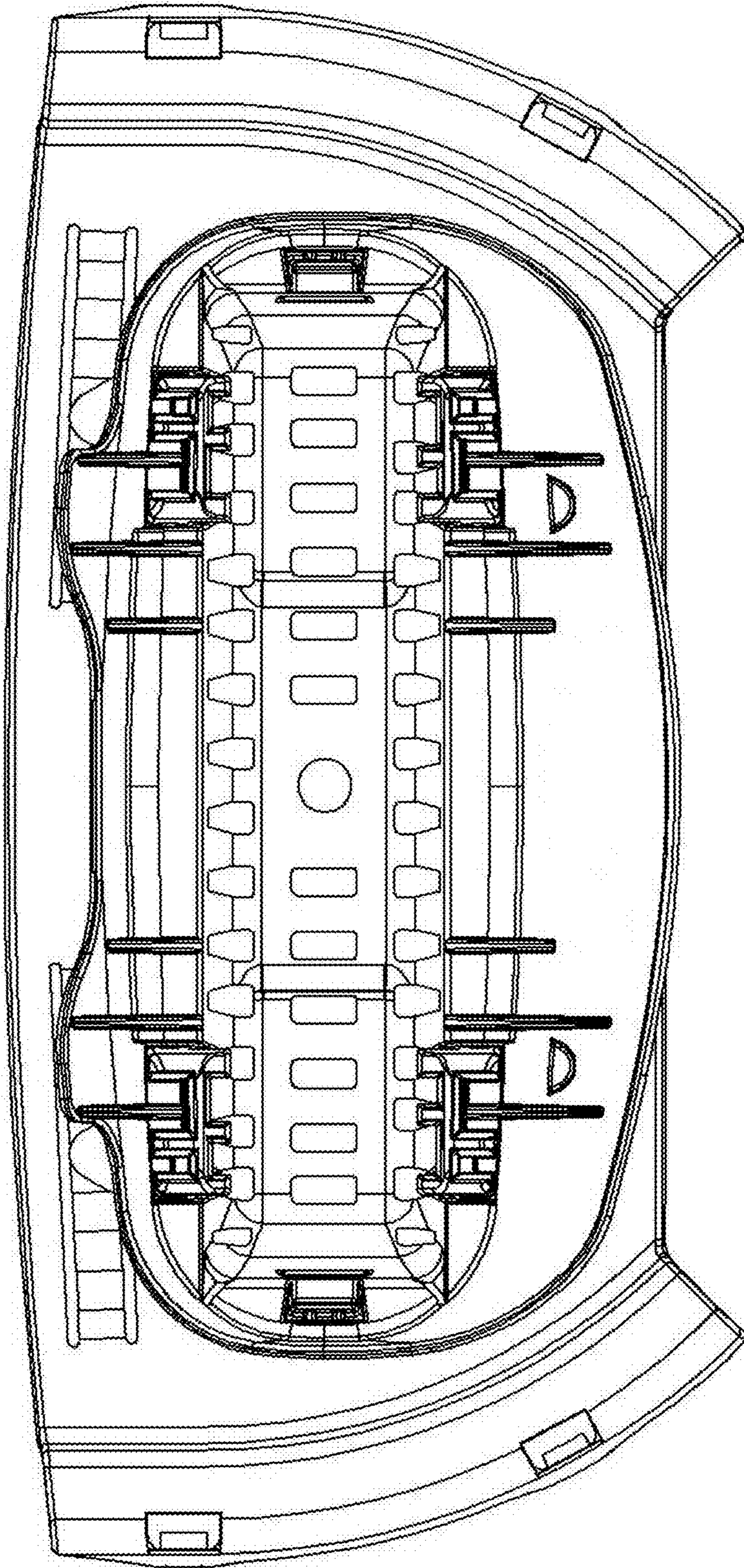


Fig. 7