



US00D824625S

(12) **United States Design Patent**  
**Gooden**

(10) **Patent No.:** **US D824,625 S**  
(45) **Date of Patent:** **\*\* Jul. 31, 2018**

(54) **GLASS CLEANING TOOL**  
(71) Applicant: **Hopkins Manufacturing Corporation**,  
Emporia, KS (US)  
(72) Inventor: **Marcus Gooden**, LomaLinda, CA (US)  
(73) Assignee: **Hopkins Manufacturing Corporation**,  
Emporia, KS (US)  
(\*\*) Term: **15 Years**

(21) Appl. No.: **29/604,597**  
(22) Filed: **May 18, 2017**  
(51) **LOC (11) Cl.** ..... **07-05**  
(52) **U.S. Cl.**  
USPC ..... **D32/46**  
(58) **Field of Classification Search**  
USPC ..... D32/40-49; D7/683, 653; D8/11-13;  
D4/116, 118  
CPC ..... A47L 17/00; B08B 1/00  
See application file for complete search history.

(56) **References Cited**

**U.S. PATENT DOCUMENTS**

3,070,823 A \* 1/1963 Heinig ..... B23D 79/06  
15/236.02  
4,275,476 A \* 6/1981 Hopkins ..... B60S 3/045  
15/236.02  
D362,937 S \* 10/1995 Camp, Jr. .... D32/48  
D373,251 S \* 9/1996 Young ..... D32/42  
D417,049 S \* 11/1999 Hughes ..... D32/49  
D422,125 S \* 3/2000 Sneed ..... D32/49  
D456,576 S \* 4/2002 Philipson ..... D32/49  
D478,699 S \* 8/2003 Henriksson ..... D32/49  
D544,162 S \* 6/2007 Uffner ..... D32/46  
D547,552 S \* 7/2007 Borovicka ..... D4/129  
7,249,393 B2 \* 7/2007 Marion ..... A47L 1/16  
15/236.02  
7,293,361 B1 \* 11/2007 Miller ..... E01H 5/02  
173/202  
D587,871 S \* 3/2009 van Deursen ..... D32/46

D615,261 S \* 5/2010 Bunnag ..... D32/48  
D615,262 S \* 5/2010 Bunnag ..... D32/48  
D617,967 S \* 6/2010 Lambert ..... D32/46  
D649,314 S \* 11/2011 Quinlan ..... D32/41  
8,763,193 B1 \* 7/2014 Thompson ..... A46B 15/0055  
15/106

(Continued)

**FOREIGN PATENT DOCUMENTS**

EM 004042869-0001 \* 6/2017

**OTHER PUBLICATIONS**

AAPEX 2017, Hopkins booth page, <http://www.aapexshow.com/2017/public/eBooth.aspx?IndexInList=0&FromPage=Exhibitor...>  
site visited Mar. 3, 2018.\*

(Continued)

*Primary Examiner* — John Windmuller  
*Assistant Examiner* — John R Yeh  
(74) *Attorney, Agent, or Firm* — Bond Schoeneck &  
King, PLLC; George McGuire

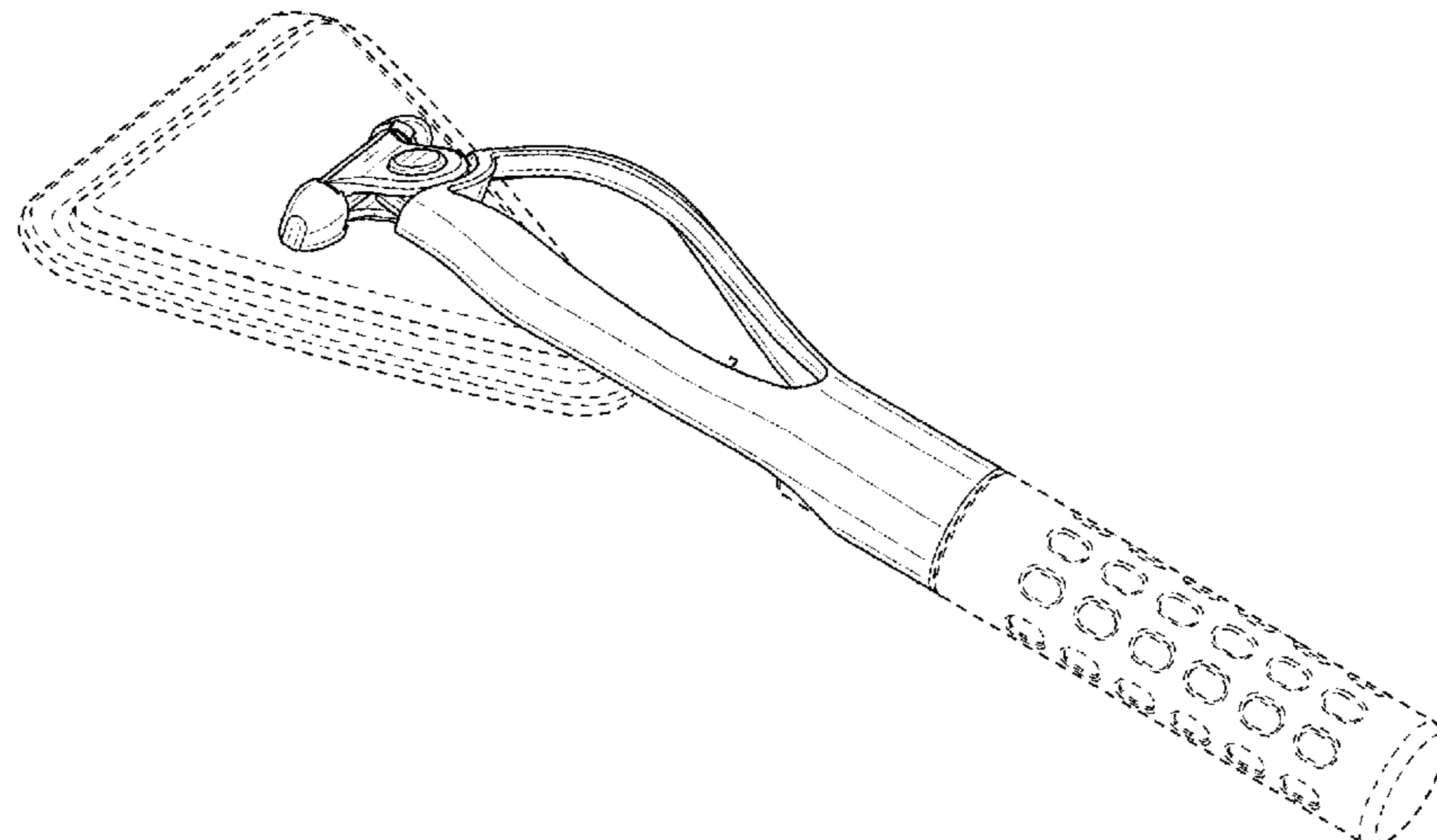
(57) **CLAIM**

The ornamental design for a glass cleaning tool, as shown and described.

**DESCRIPTION**

FIG. 1 is a front right perspective view of a glass cleaning tool;  
FIG. 2 is a front elevation view thereof;  
FIG. 3 is a rear elevation view thereof;  
FIG. 4 is a first side elevation view thereof;  
FIG. 5 is a second side elevation view thereof;  
FIG. 6 is a top plan view thereof; and,  
FIG. 7 is a bottom plan view thereof.  
The broken lines in the figures represent portions of the glass cleaning tool that form no part of the claimed design.

**1 Claim, 7 Drawing Sheets**



(56)

**References Cited**

U.S. PATENT DOCUMENTS

D756,580	S	*	5/2016	Philip	.....	D32/46
D759,924	S	*	6/2016	Masalin	.....	D32/40
D762,933	S	*	8/2016	Masalin	.....	D32/40
D788,394	S	*	5/2017	Bo	.....	D32/42
D797,391	S	*	9/2017	Latham	.....	D32/46

OTHER PUBLICATIONS

TOOGOO(R) Home Glass Window Squeegee Scraper—SilkRoad Select website 2018, <https://silkroadselect.com/collections/squeegees/products/toogoor-home-glass-window-wate> . . . site visited Mar. 3, 2018.\*

\* cited by examiner

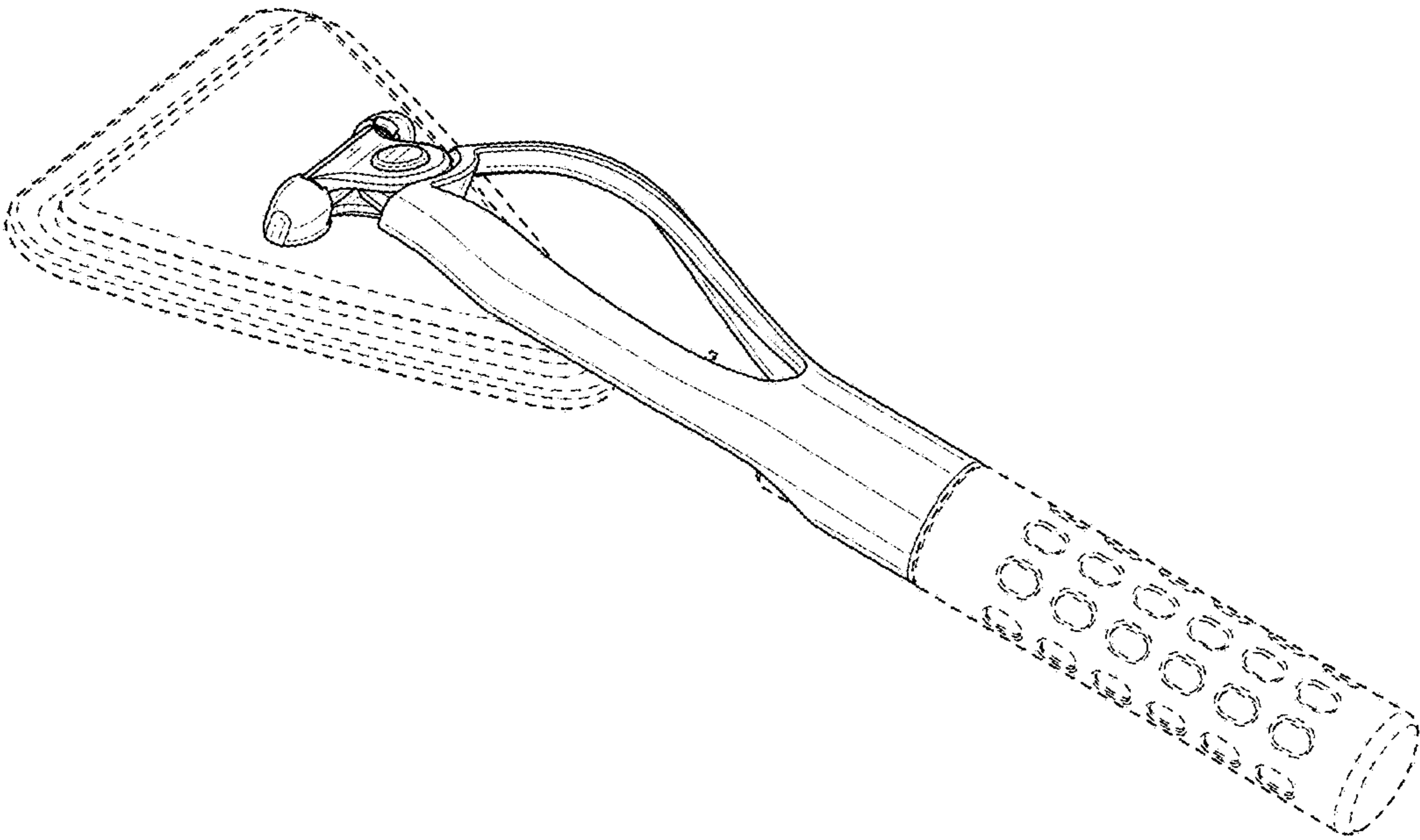


FIG. 1

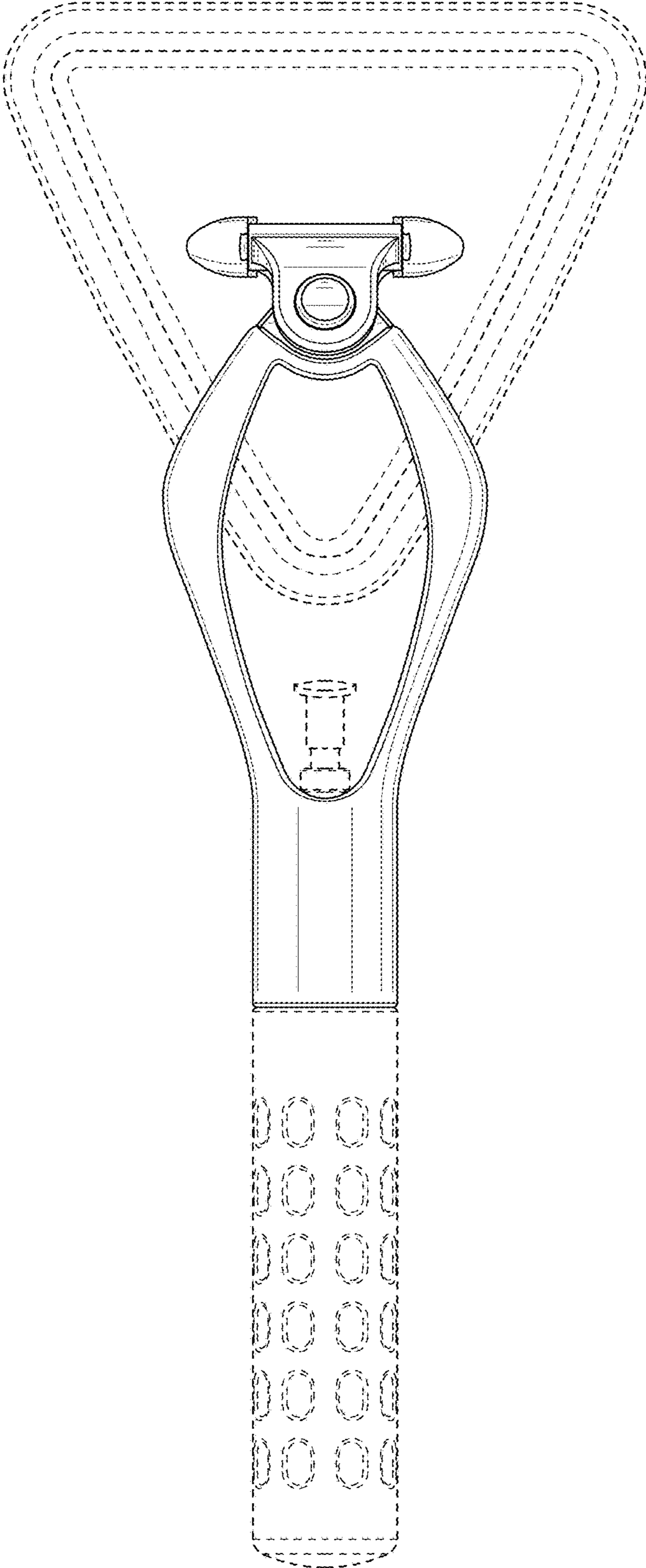


FIG. 2

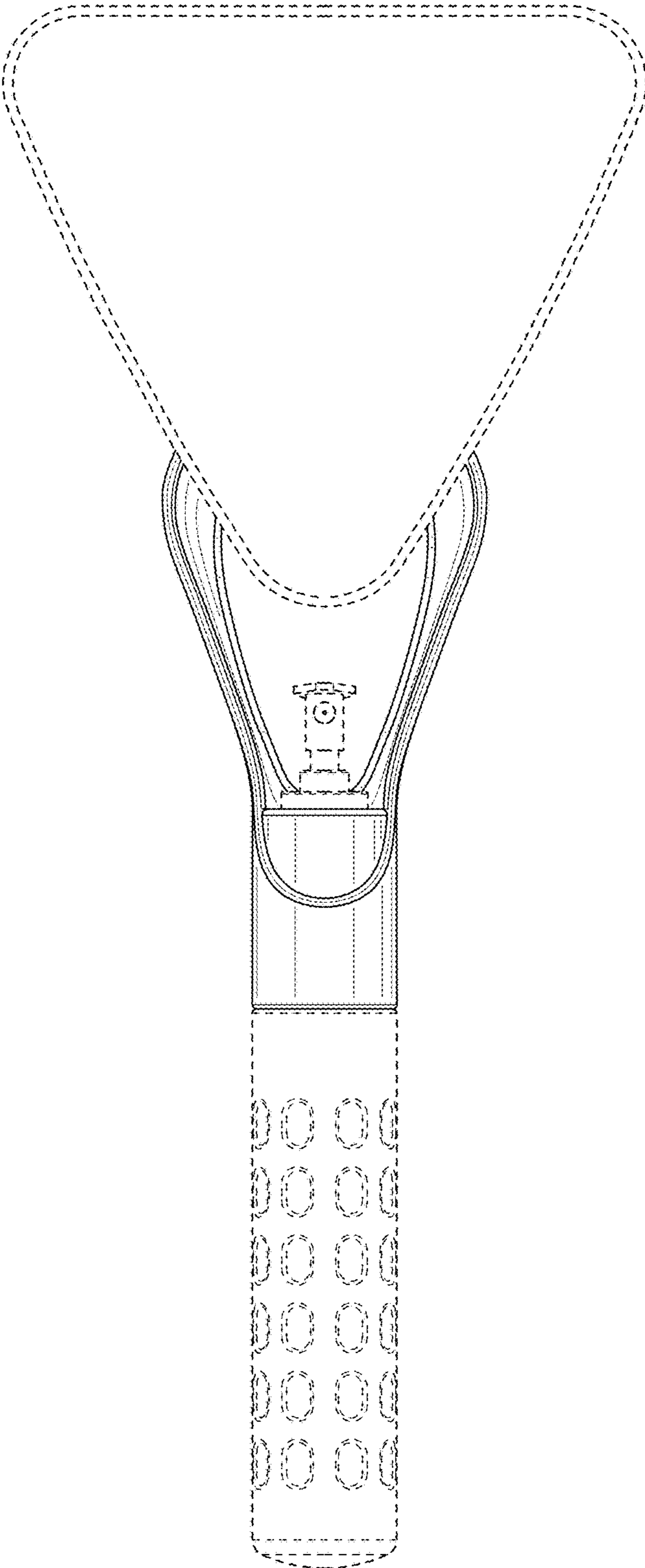


FIG. 3

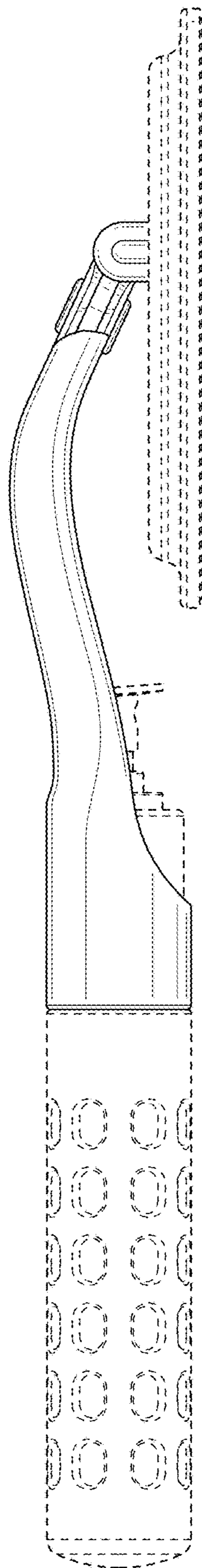


FIG. 4

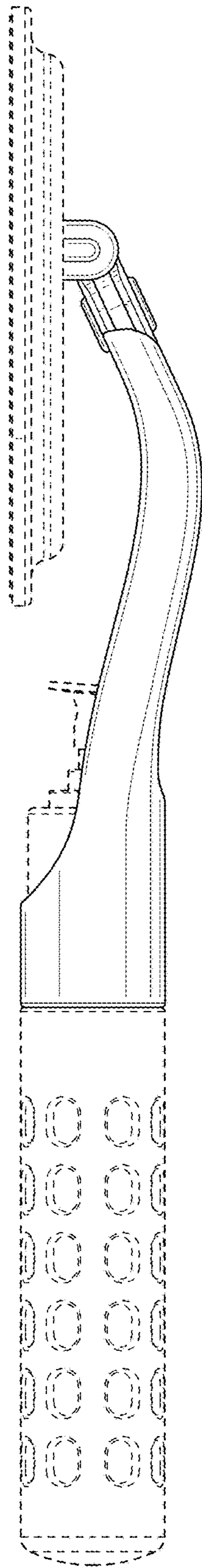


FIG. 5

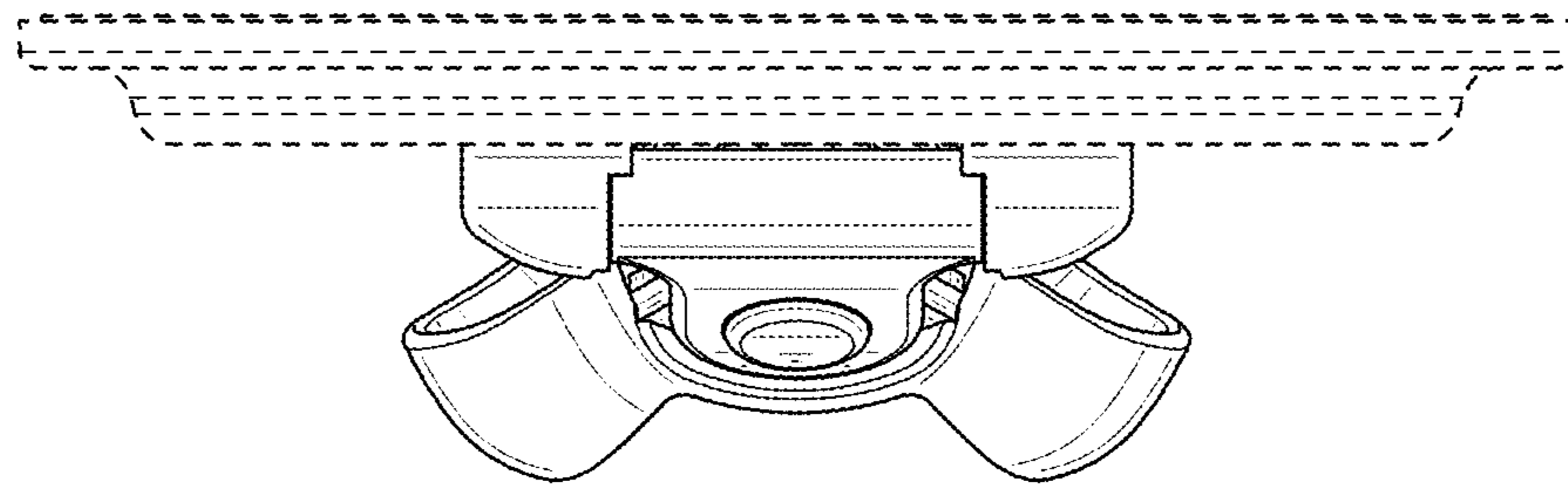


FIG. 6



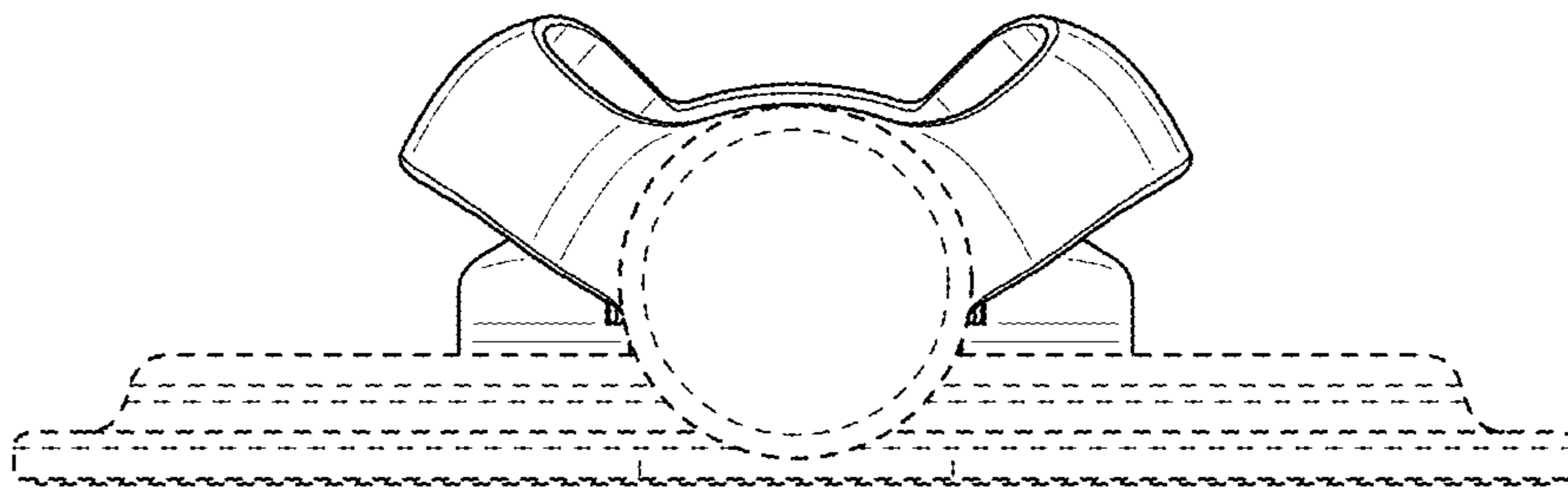


FIG. 7