



US00D824623S

(12) **United States Design Patent** (10) **Patent No.:** **US D824,623 S**
Haarburger (45) **Date of Patent:** **** Jul. 31, 2018**

(54) **DEBRIS SCRAPER**

FOREIGN PATENT DOCUMENTS

(71) Applicant: **Ethic, LLC**, Boulder, CO (US)

WO WO D094910-022 * 3/2017

(72) Inventor: **Daniel Haarburger**, Boulder, CO (US)

OTHER PUBLICATIONS

(73) Assignee: **Ethic, LLC**, Boulder, CO (US)

Amazon.com: RazorBack 81100 Ames Company Walk Scrapers, website 2017, <https://www.amazon.com/RazorBack-81100-Ames-Company-Scrapers/dp/B000KL6ME...> site visited Dec. 11, 2017.*

(**) Term: **15 Years**

(Continued)

(21) Appl. No.: **29/593,451**

Primary Examiner — John Windmuller

(22) Filed: **Feb. 8, 2017**

Assistant Examiner — John R Yeh

(51) **LOC (11) Cl.** **07-05**

(74) *Attorney, Agent, or Firm* — Duft Bornsen & Fettig, LLP

(52) **U.S. Cl.**

USPC **D32/46**

(58) **Field of Classification Search**

USPC D32/17, 40–46, 50–52; D4/108, 129–136

CPC A47L 1/06; A47L 11/34; A47L 13/022;

A47L 13/22; A47L 1/16; B60S 3/04

See application file for complete search history.

(57) **CLAIM**

The ornamental design for a debris scraper, as shown and described.

(56) **References Cited**

DESCRIPTION

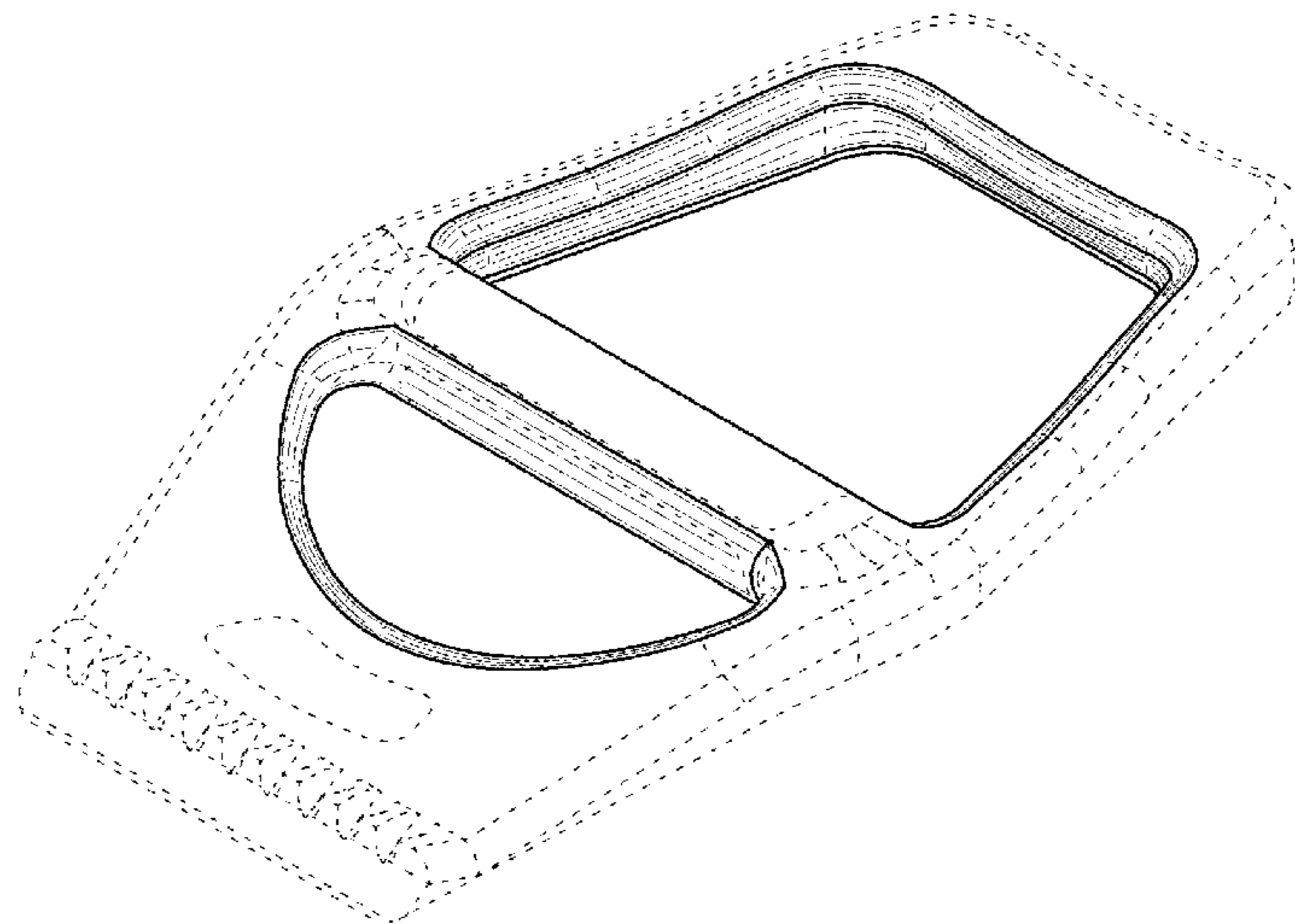
U.S. PATENT DOCUMENTS

D245,462 S *	8/1977	Hauf	D4/129
D262,351 S *	12/1981	Oas	D8/1
D282,604 S *	2/1986	Whitaker	D32/42
D297,276 S *	8/1988	Siler, Jr.	D32/41
4,813,458 A	3/1989	Jacobucci		
4,888,846 A *	12/1989	Natale	A47L 13/022 15/143.1
D305,963 S *	2/1990	Brinker	15/105
D311,455 S *	10/1990	Snipes	D4/129
4,962,561 A	10/1990	Hamilton		
5,099,540 A *	3/1992	Paschetto	A47L 1/16 15/236.01
5,179,807 A *	1/1993	Gupton	A47L 13/02 451/344
5,402,550 A	4/1995	Lessard		
5,455,981 A *	10/1995	Wiese	A47L 13/022 15/143.1
5,471,698 A	12/1995	Francis et al.		
5,471,700 A	12/1995	Pereira		

(Continued)

FIG. 1 is a top perspective view of a debris scraper in accordance with the present design.
FIG. 2 is a bottom perspective view thereof.
FIG. 3 is a further top perspective view thereof.
FIG. 4 is a further bottom perspective view thereof.
FIG. 5 is a top view thereof.
FIG. 6 is a bottom view thereof.
FIG. 7 is a right side view thereof
FIG. 8 is a left side view thereof.
FIG. 9 is a front view thereof.
FIG. 10 is a back view thereof; and,
FIG. 11 illustrates the debris scraper of FIG. 1 being operated by a user in an exemplary embodiment.
The broken lines in the FIGS. show portions of the debris scraper and/or environment that form no part of the claimed design.

1 Claim, 6 Drawing Sheets



(56)

References Cited

U.S. PATENT DOCUMENTS

D373,251	S *	9/1996	Young	D32/42
D404,921	S *	2/1999	Smith	D4/104
D484,655	S *	12/2003	Anderson	D32/42
6,662,399	B1	12/2003	Vairo		
D515,817	S *	2/2006	Siemer	D4/108
D580,176	S *	11/2008	Matousek	D4/118
7,526,831	B2 *	5/2009	Weinberger	A47L 1/16 15/143.1
D597,316	S *	8/2009	Borovicka	D4/129
D599,557	S *	9/2009	Crossman	D4/108
D615,261	S *	5/2010	Bunnag	D32/48
D615,262	S *	5/2010	Bunnag	D32/48
D618,973	S *	7/2010	Gosselin	D8/10
D658,384	S *	5/2012	Pender	D4/102
D702,905	S *	4/2014	Holma	D32/46
D704,449	S *	5/2014	Ihde	D4/118
D756,580	S *	5/2016	Philip	D32/46
2016/0167215	A1	6/2016	Li		

OTHER PUBLICATIONS

Amazon.com: uxcell 2pcs Plastic Flexible Silicone Blade Auto Car Window Mirror Wipe, website 2017, <https://www.amazon.com/uxcell-Plastic-Flexible-Silicone-Cleaner/dp/B06XKN9DV3/ref...> site visited Dec. 11, 2017.*

* cited by examiner

FIG. 1

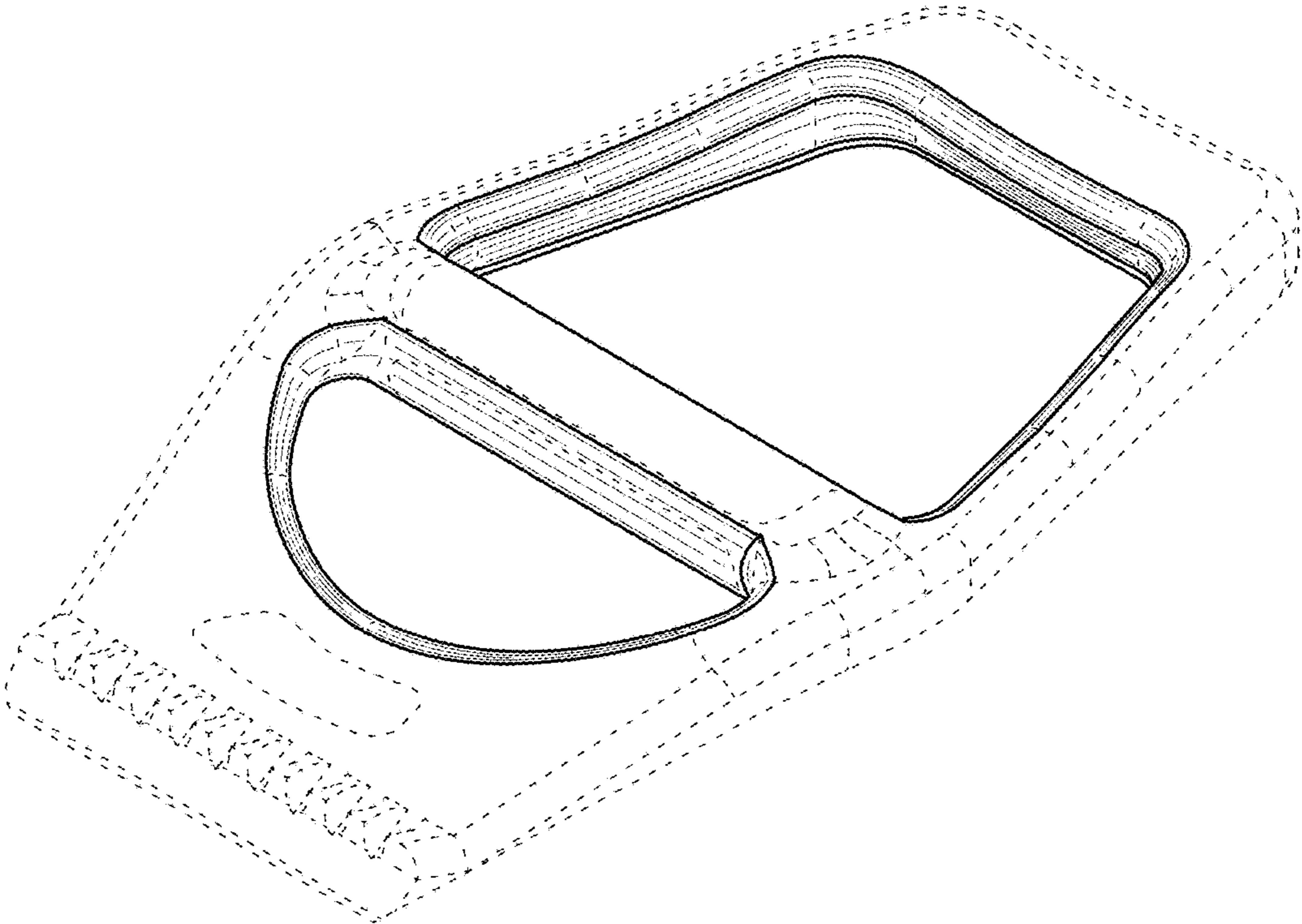


FIG. 2

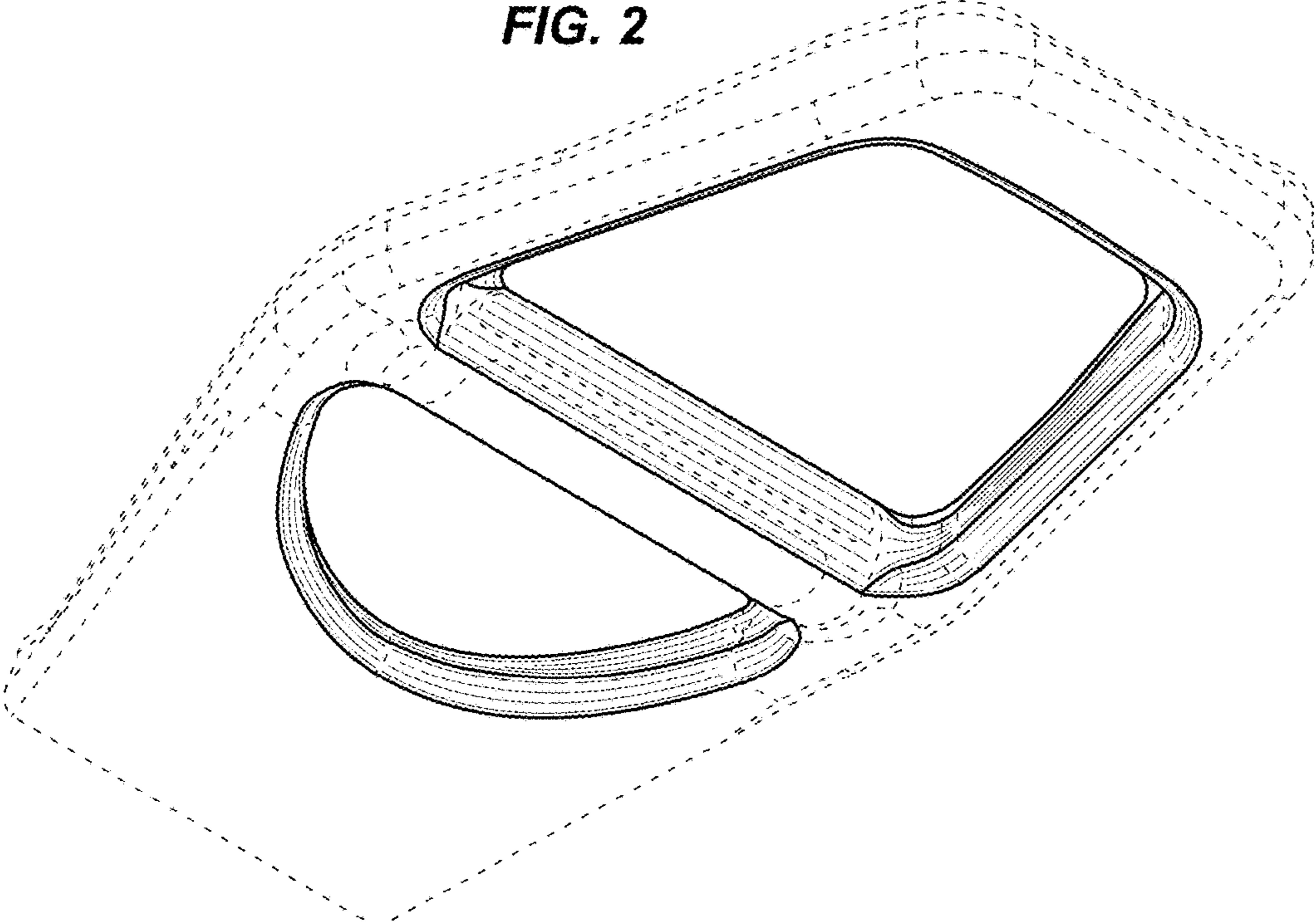


FIG. 3

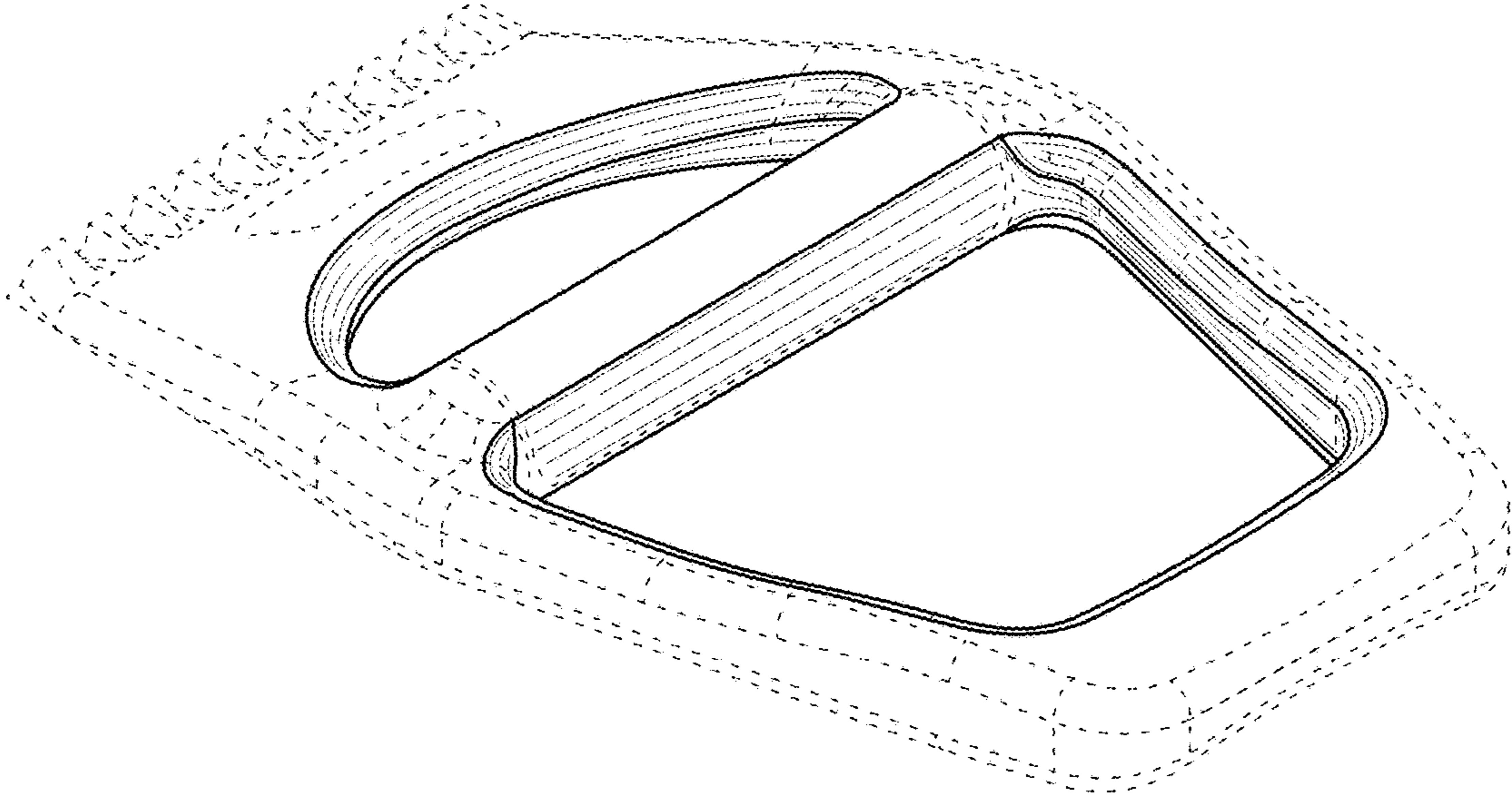


FIG. 4

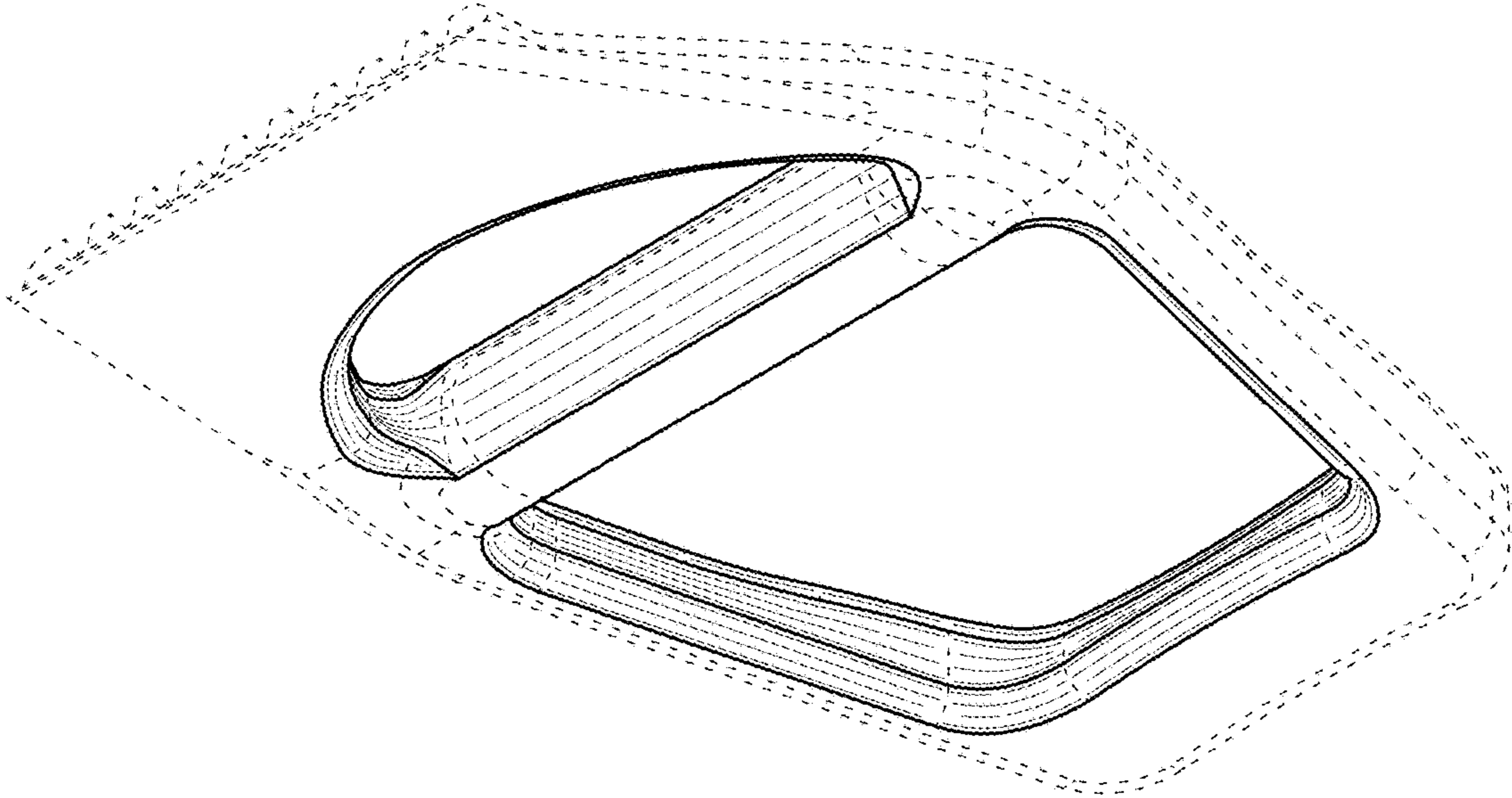


FIG. 5

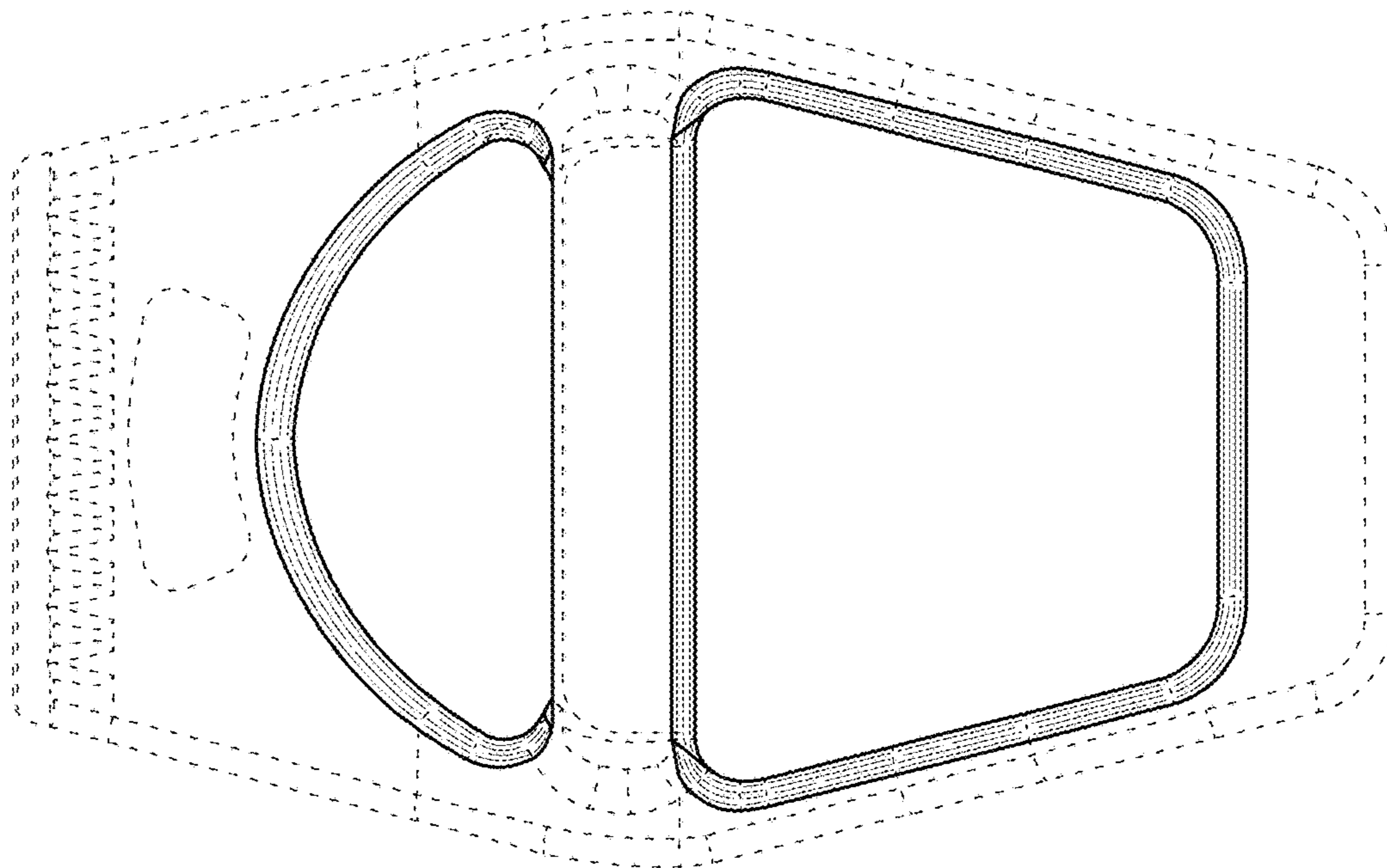


FIG. 6

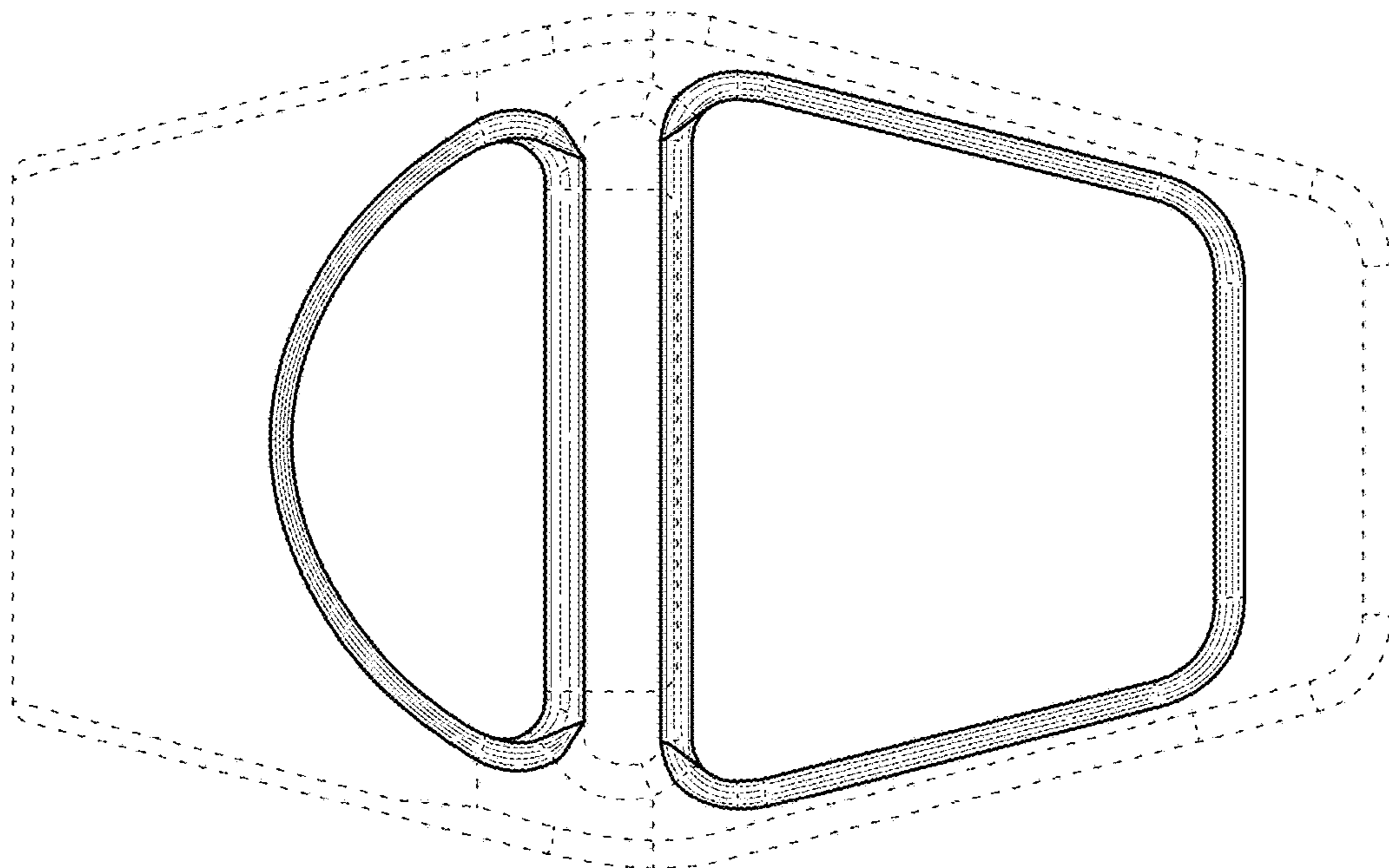


FIG. 7

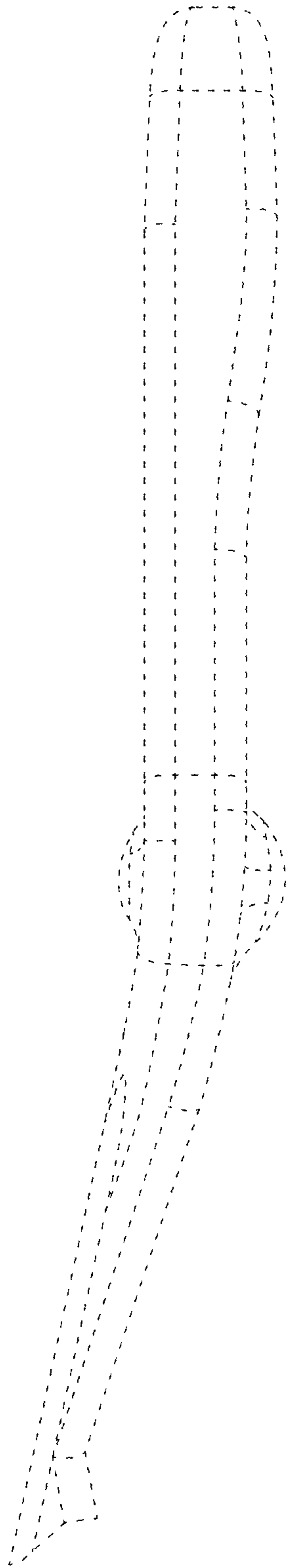


FIG. 8

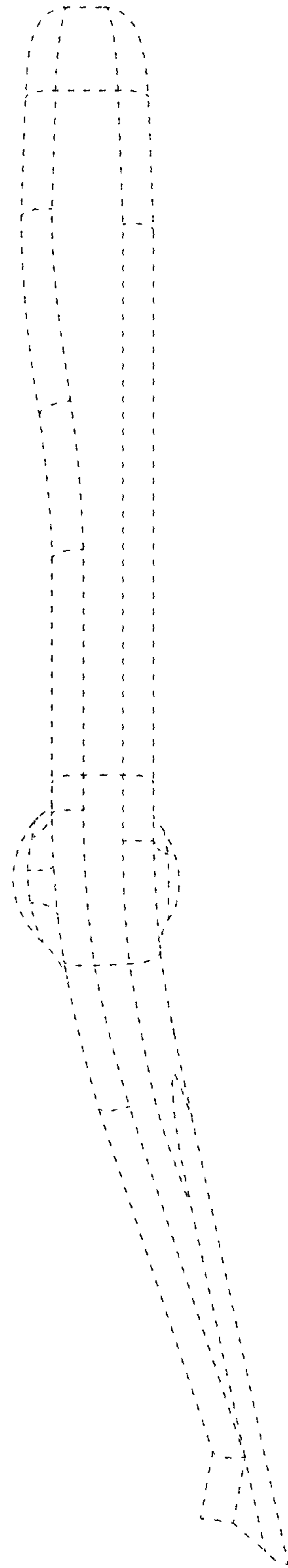


FIG. 9

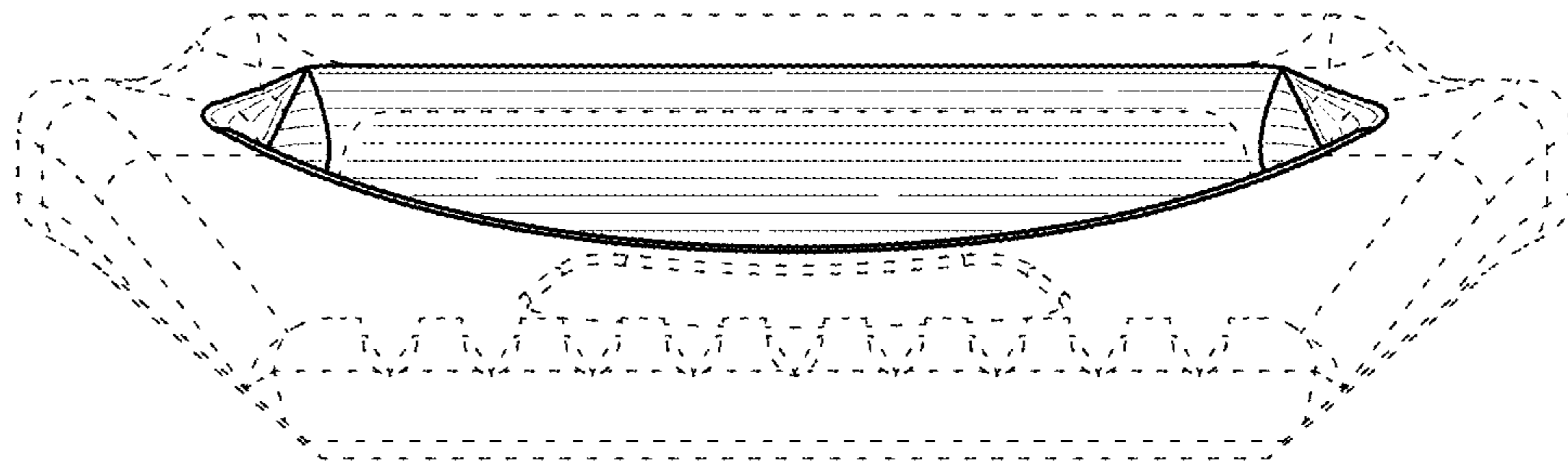


FIG. 10

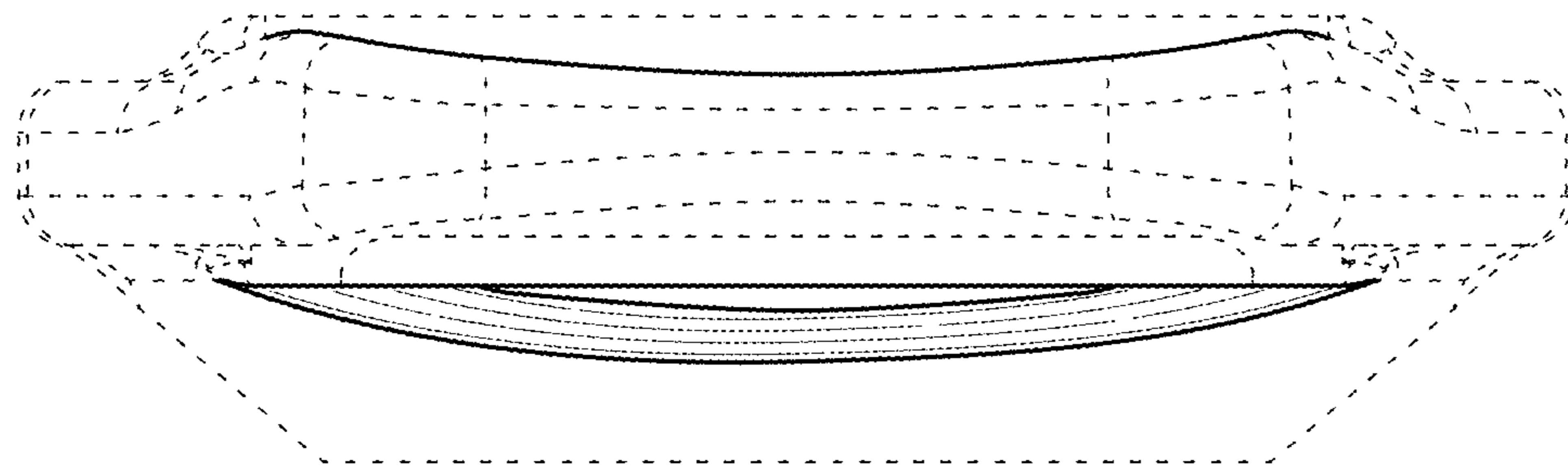


FIG. 11

