



US00D824622S

(12) **United States Design Patent**  
**Toll et al.**

(10) **Patent No.:** **US D824,622 S**  
(45) **Date of Patent:** **\*\* Jul. 31, 2018**

(54) **ADJUSTABLE P CLAMP**

F16L 23/00; F16B 11/006; F16B 5/06;  
A44C 5/22; A42B 3/14; B65H 59/00

See application file for complete search history.

(71) Applicant: **HellermannTyton Corporation**,  
Milwaukee, WI (US)

(56) **References Cited**

(72) Inventors: **Michael Toll**, Whitefish Bay, WI (US);  
**Gerard G. Geiger**, Jackson, WI (US);  
**Christopher J. Rohde**, West Allis, WI  
(US); **Jonathan Zick**, Waukesha, WI  
(US); **Walter Patrick Trautfield**, San  
Francisco, CA (US)

U.S. PATENT DOCUMENTS

5,384,936 A \* 1/1995 Van Walraven ..... F16L 3/12  
24/279

D389,052 S \* 1/1998 Yamamoto ..... D8/396

(Continued)

FOREIGN PATENT DOCUMENTS

GB 6002764 \* 11/2016

(73) Assignee: **HELLERMANN TYTON**  
**CORPORATION**, Milwaukee, WI  
(US)

OTHER PUBLICATIONS

Repair Clamp Hinge | Enexia, <http://www.enexia.fi/products/yn-couplings/repair-clamp-hinge/?lang=en>, site visited May 12, 2018.\*

(Continued)

(\*\*) Term: **15 Years**

*Primary Examiner* — John Windmuller

*Assistant Examiner* — John R Yeh

(21) Appl. No.: **29/624,926**

(74) *Attorney, Agent, or Firm* — Robert J. Myers

(22) Filed: **Nov. 6, 2017**

(57) **CLAIM**

We claim an ornamental design for an adjustable P clamp, as shown and described.

**Related U.S. Application Data**

(62) Division of application No. 29/591,411, filed on Jan. 19, 2017, now Pat. No. Des. 804,942, which is a division of application No. 29/560,432, filed on Apr. 6, 2016, now Pat. No. Des. 784,799.

**DESCRIPTION**

(51) **LOC (11) Cl.** ..... **07-05**

(52) **U.S. Cl.**

USPC ..... **D32/40**

(58) **Field of Classification Search**

USPC ..... D8/394–396, 71–72, 79; D23/262–265;  
D25/199; D12/415

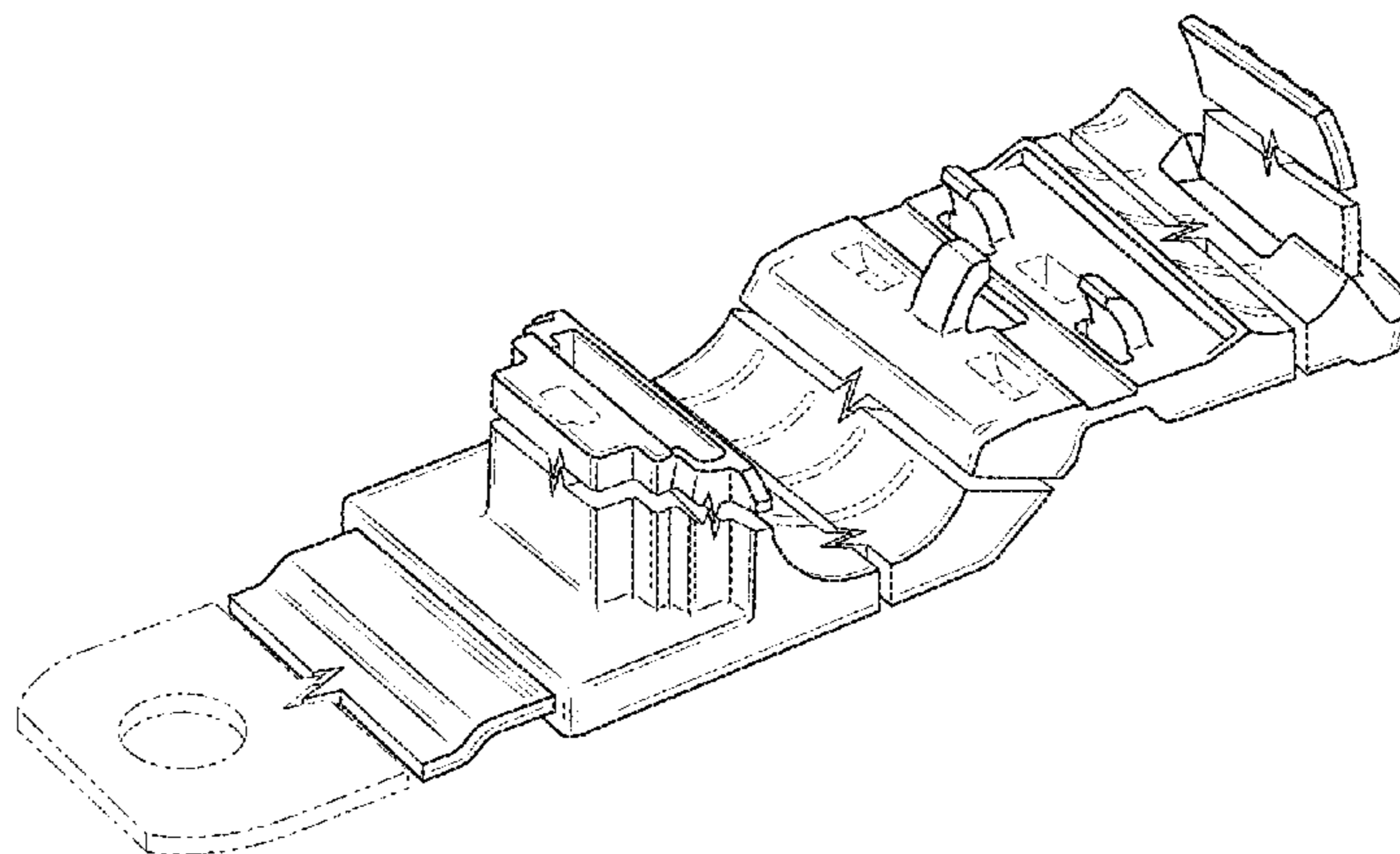
CPC ..... F16L 3/1075; F16L 3/2336; F16L 3/12;  
F16L 55/18; F16L 21/06; F16L 17/00;

FIG. 1 is a perspective view of an embodiment;  
FIG. 2 is a front elevation view thereof;  
FIG. 3 is a back elevation view thereof;  
FIG. 4 is a top plan view thereof;  
FIG. 5 is a bottom plan view thereof;  
FIG. 6 is a left elevation view thereof; and,  
FIG. 7 is a right elevation view thereof.

The broken lines illustrate portions of the adjustable P-clamp that form no part of the claimed design.

The shading illustrated in the drawings is provided merely to highlight the contour of the design and is not intended to be illustrative of any texture or gloss.

(Continued)



Portions of the adjustable P clamp are shown broken away to indicate that these portions have no particular length beyond what is shown.

**1 Claim, 2 Drawing Sheets**

(56)

**References Cited**

U.S. PATENT DOCUMENTS

7,007,900	B2 *	3/2006	Goodwin	.....	H02G 7/053 248/68.1
D521,856	S *	5/2006	Waler	.....	D8/394
D536,958	S *	2/2007	Ruhlander	.....	D8/396
D560,764	S *	1/2008	Gibb	.....	D23/265
7,500,643	B2 *	3/2009	Leone	.....	F16L 3/10 248/56
D605,018	S *	12/2009	Price	.....	D15/123
8,020,812	B2 *	9/2011	Matsuno	.....	F16L 3/1075 24/336
8,286,923	B2 *	10/2012	Kobayashi	.....	B60R 16/0215 24/530
8,827,214	B2 *	9/2014	Ogawa	.....	F16L 3/1041 248/74.1

9,200,863	B2 *	12/2015	Bednar	.....	F41B 5/123
D762,463	S *	8/2016	Espinosa, Jr.	.....	D8/382
D770,885	S *	11/2016	Miros	.....	D8/382
D784,799	S *	4/2017	Toll	.....	D8/396
D789,779	S *	6/2017	Asai	.....	B60R 16/0215 D8/396
D802,409	S *	11/2017	Caron	.....	D8/396
D804,942	S *	12/2017	Toll	.....	D8/396
D807,137	S *	1/2018	Whitaker	.....	D8/72
2012/0227221	A1 *	9/2012	Whitaker	.....	A61M 39/1011 24/459
2015/0108288	A1 *	4/2015	Lee	.....	A47B 96/1425 248/68.1
2017/0227141	A1 *	8/2017	Toll	.....	F16L 3/1075
2018/0072248	A1 *	3/2018	Ohashi	.....	B60R 16/0215

OTHER PUBLICATIONS

Style 99 Plain End Roust-A-Bout Coupling, website 2018, <http://www.iac-intl.com/product/style-99-plain-end-roust-a-bout-coupling/>, site visited May 12, 2018.\*  
 NPL Youtube Ratchet P Clamp video publish date 2018, site visited May 12, 2018, <https://www.youtube.com/watch?v=UyLKOWQ9aKg>.\*

\* cited by examiner

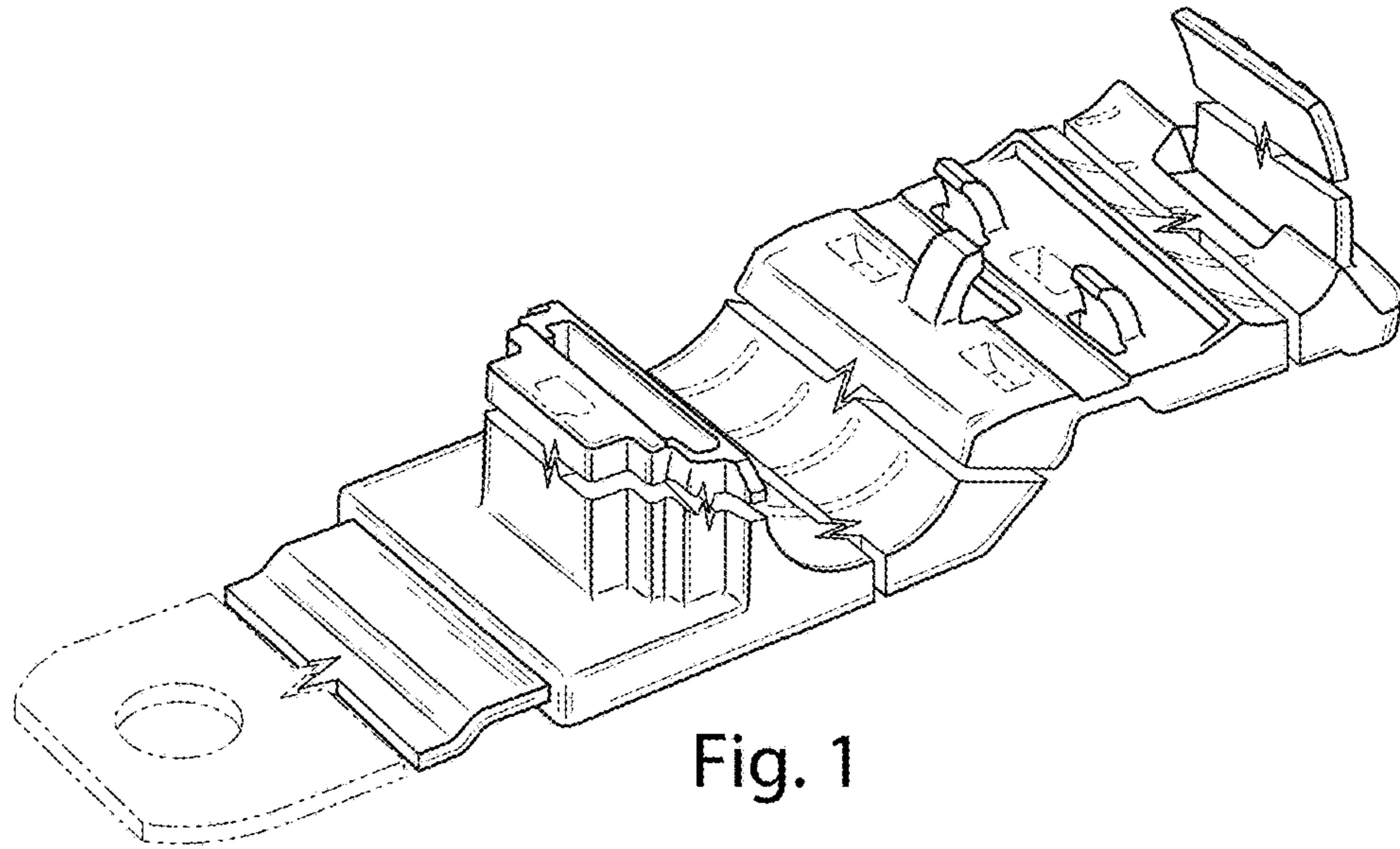


Fig. 1

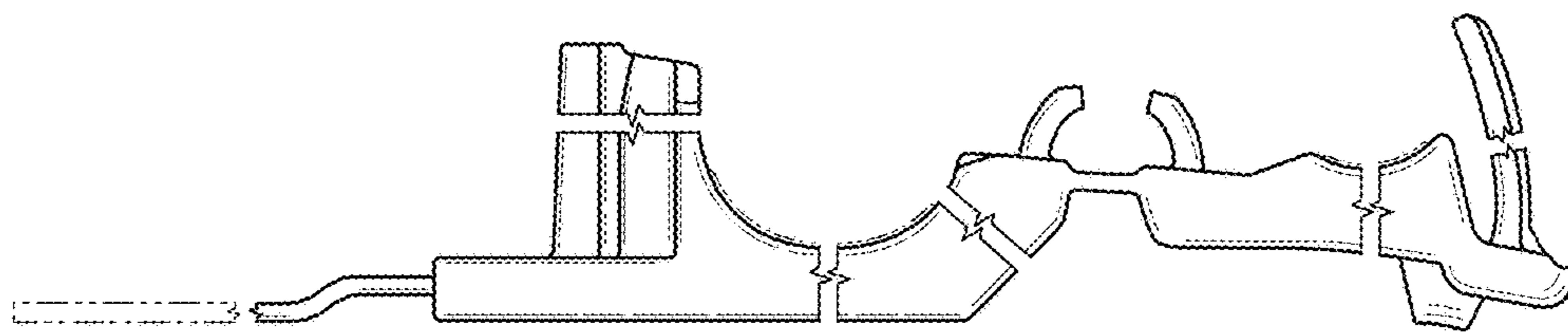


Fig. 2

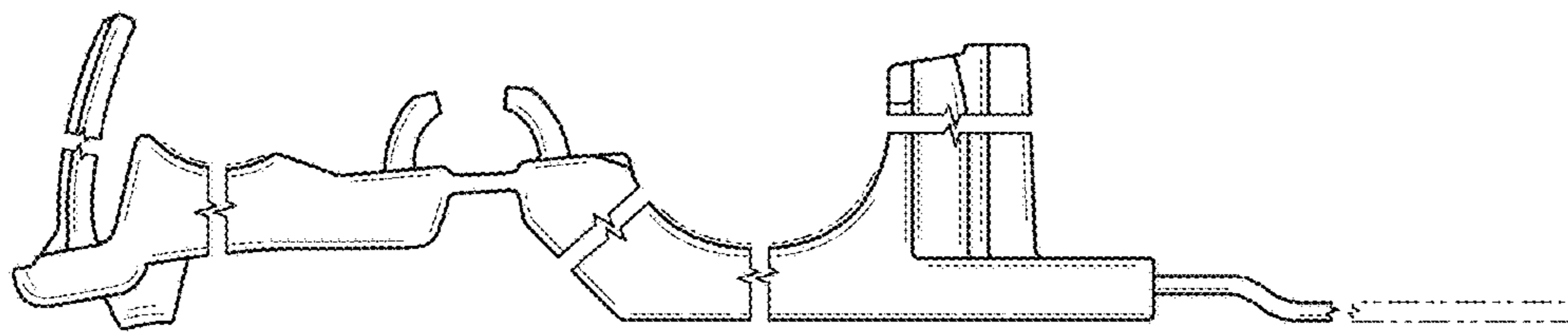


Fig. 3

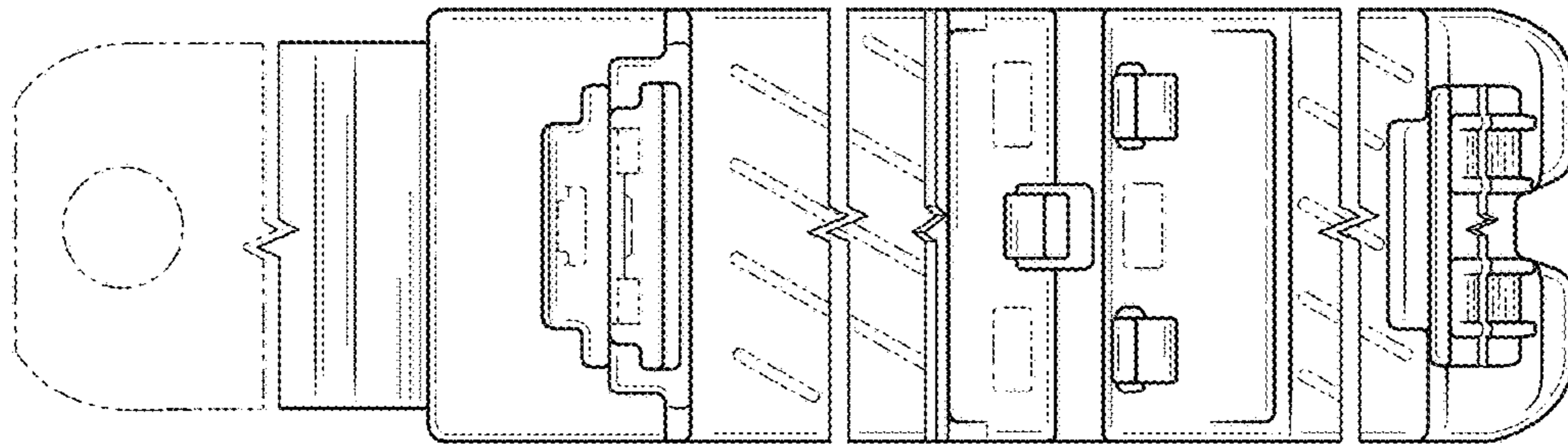


Fig. 4

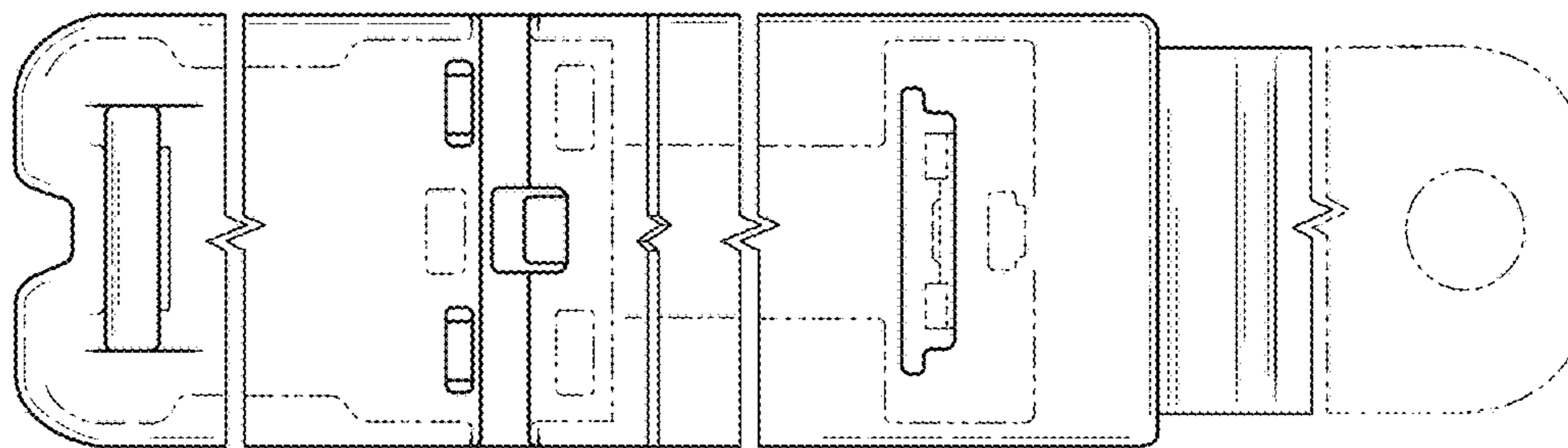


Fig. 5

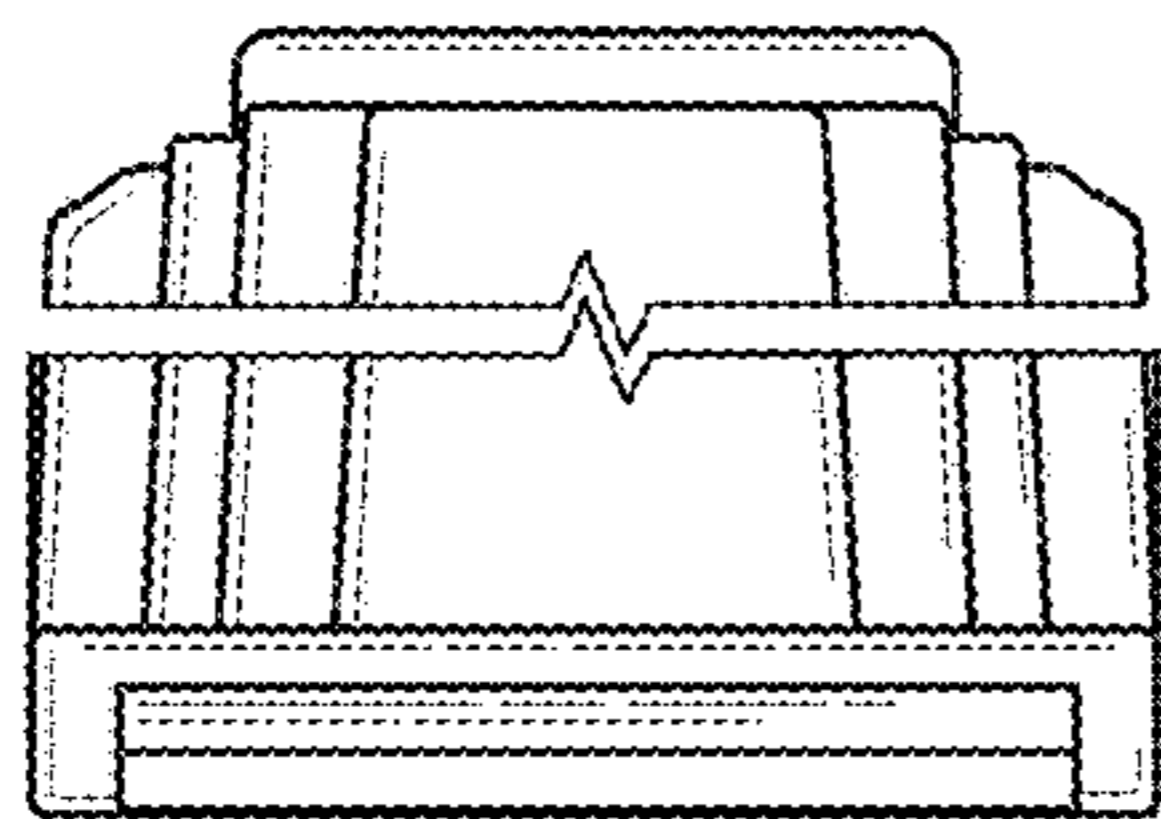


Fig. 6

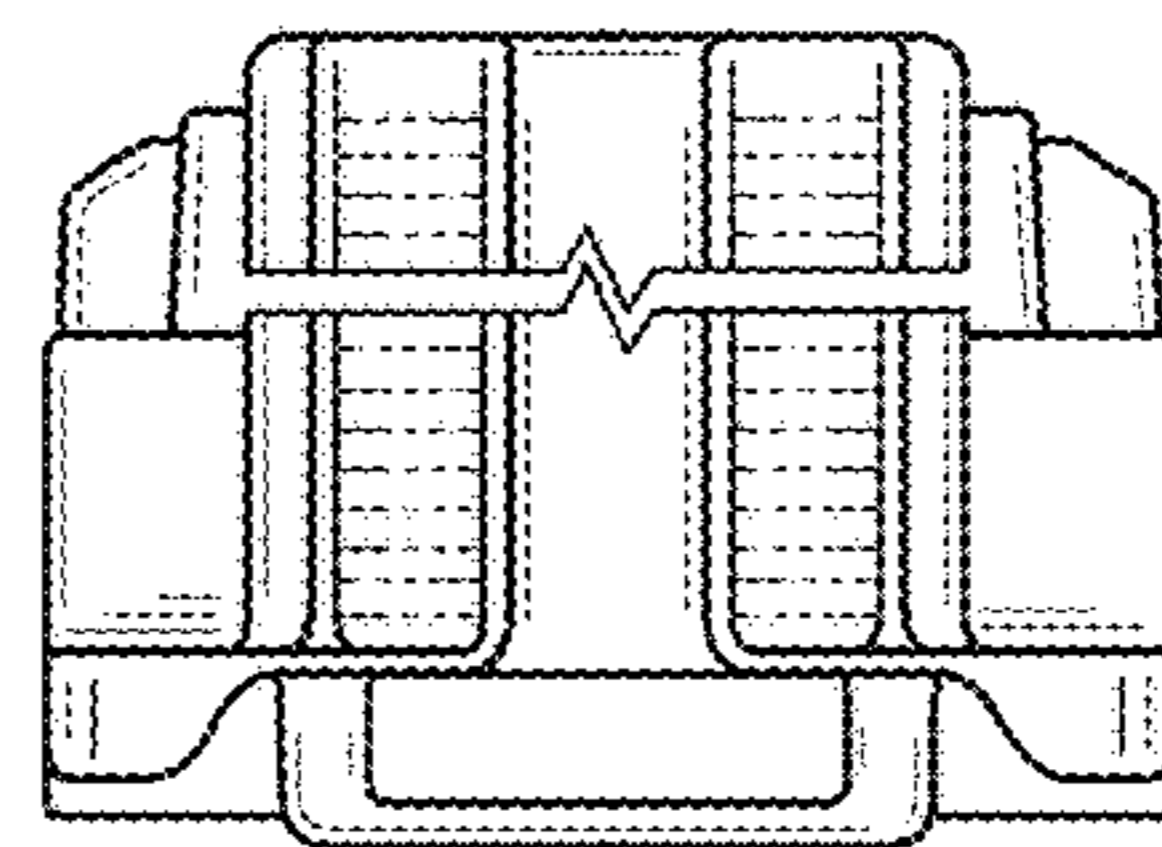


Fig. 7