



US00D824619S

(12) **United States Design Patent**
Weiss

(10) **Patent No.:** **US D824,619 S**

(45) **Date of Patent:** **** Jul. 31, 2018**

(54) **SKIMMER**

(71) Applicant: **Scot Weiss**, Orlando, FL (US)

(72) Inventor: **Scot Weiss**, Orlando, FL (US)

(**) Term: **15 Years**

(21) Appl. No.: **29/561,095**

(22) Filed: **Apr. 13, 2016**

(51) **LOC (11) Cl.** **07-05**

(52) **U.S. Cl.**
USPC **D32/35**

(58) **Field of Classification Search**
USPC D32/18, 21, 25, 32; D15/199; D23/209,
D23/210

CPC A63H 23/04; A63H 30/04
See application file for complete search history.

(56) **References Cited**

U.S. PATENT DOCUMENTS

- 3,220,037 A * 11/1965 Ruhling E04H 4/1609
15/1.7
- 4,846,972 A * 7/1989 Anderson E04H 4/1609
15/1.7
- D330,444 S * 10/1992 Wall D22/135
- 6,302,277 B1 * 10/2001 Resh B01D 29/27
15/1.7
- D488,602 S * 4/2004 Pecci D32/35
- D492,825 S * 7/2004 Pecci D32/35
- D638,182 S * 5/2011 Rossano D32/35

- D761,498 S * 7/2016 Minter D30/162
- D762,929 S * 8/2016 Minter D30/162
- D763,520 S * 8/2016 Runyan D30/162

* cited by examiner

Primary Examiner — Michelle E Wilson

(74) *Attorney, Agent, or Firm* — Allen Dyer Doppelt & Gilchrist P.A.

(57) **CLAIM**

The ornamental design for a skimmer, as shown and described.

DESCRIPTION

FIG. 1 is a top, left, first end perspective view of the design; FIG. 2 is a bottom, right, second end perspective view of the design of FIG. 1;

FIG. 3 is a first end view of the design of FIG. 1;

FIG. 4 is a second end view of the design of FIG. 1;

FIG. 5 is a top view of the design of FIG. 1;

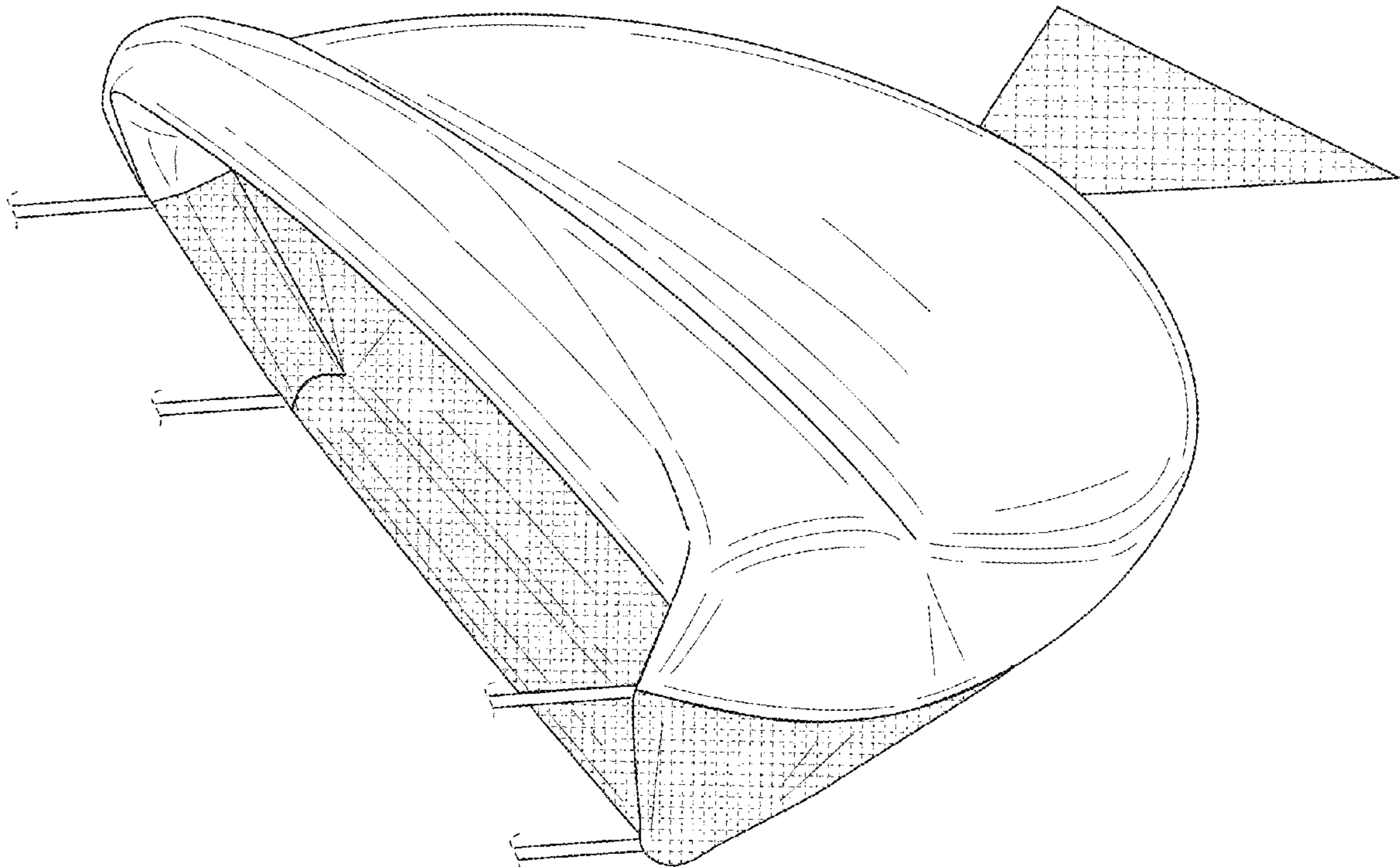
FIG. 6 is a bottom view of the design of FIG. 1;

FIG. 7 is a left side view of the design of FIG. 1; and,

FIG. 8 is a right side view of the design of FIG. 1.

The broken lines in it the drawings are used to show portions of the skimmer that form no part of the claimed design.

1 Claim, 7 Drawing Sheets



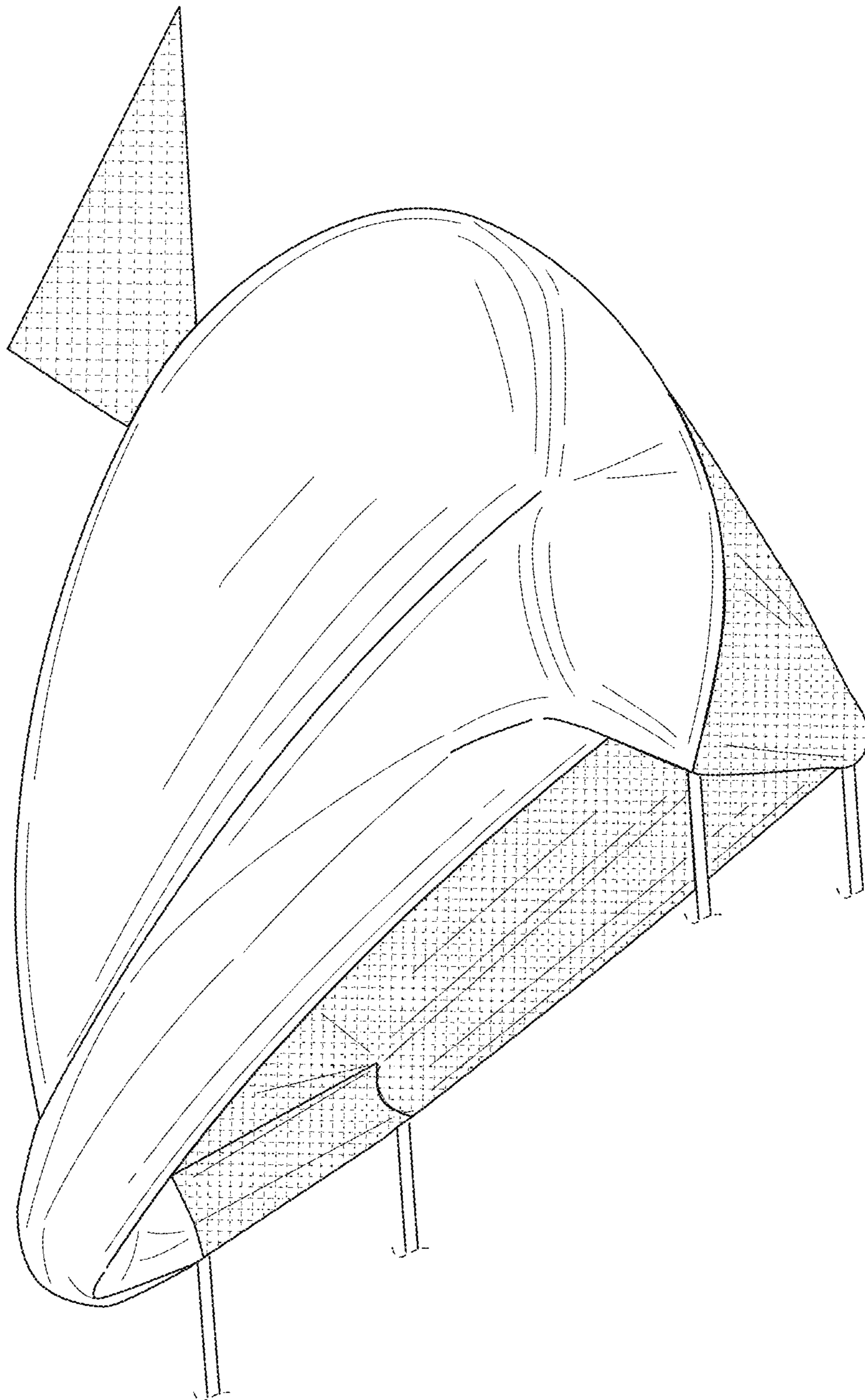


FIG. 1

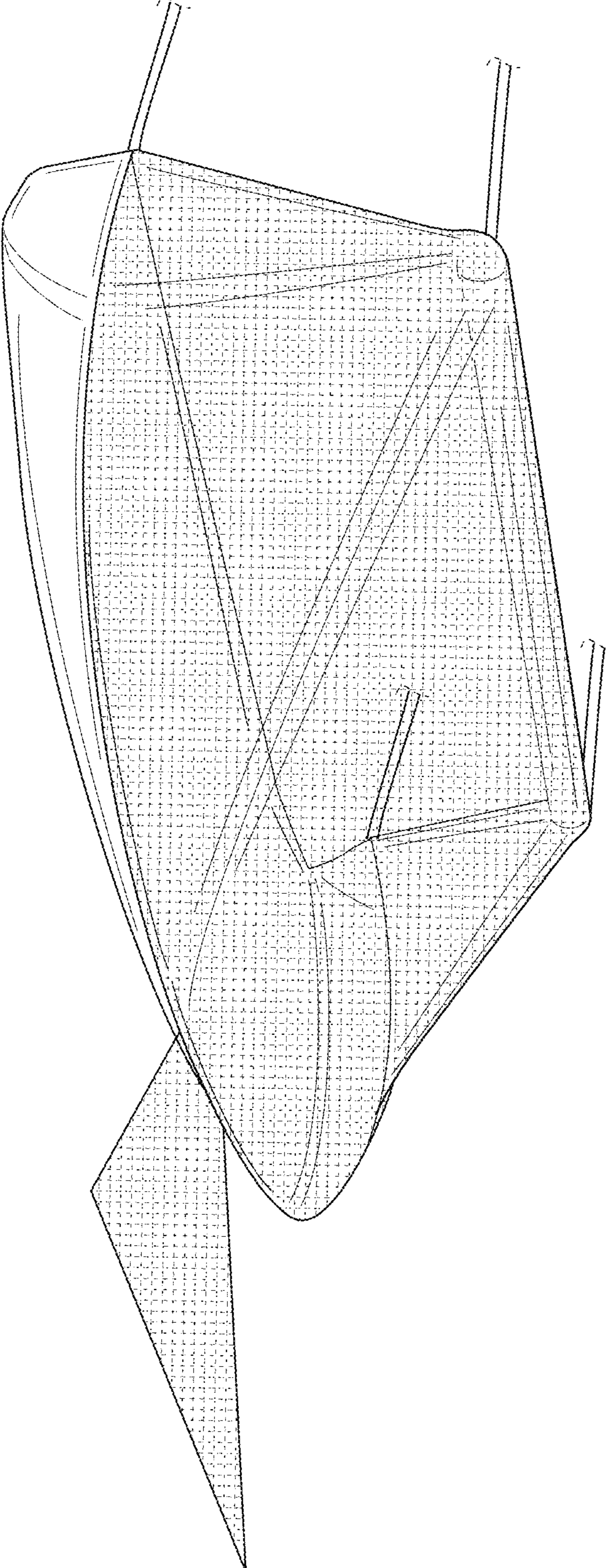


FIG. 2

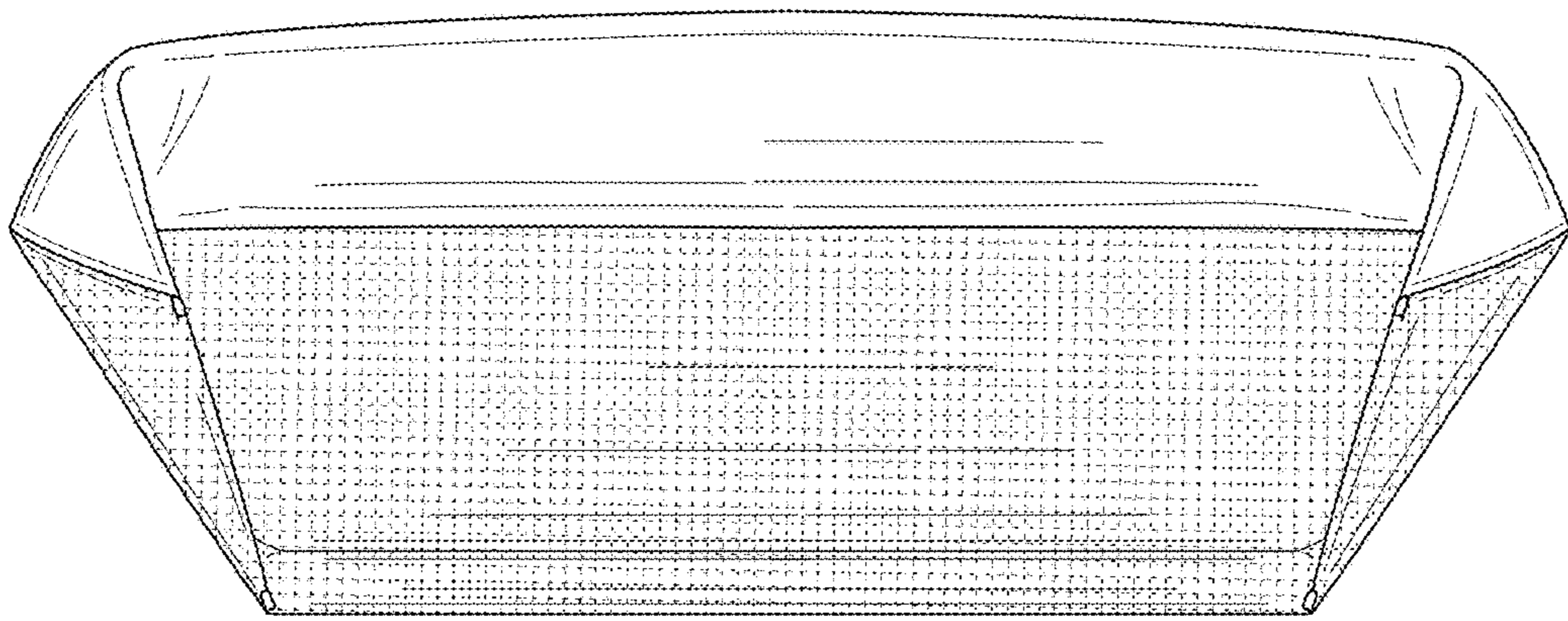


FIG. 3

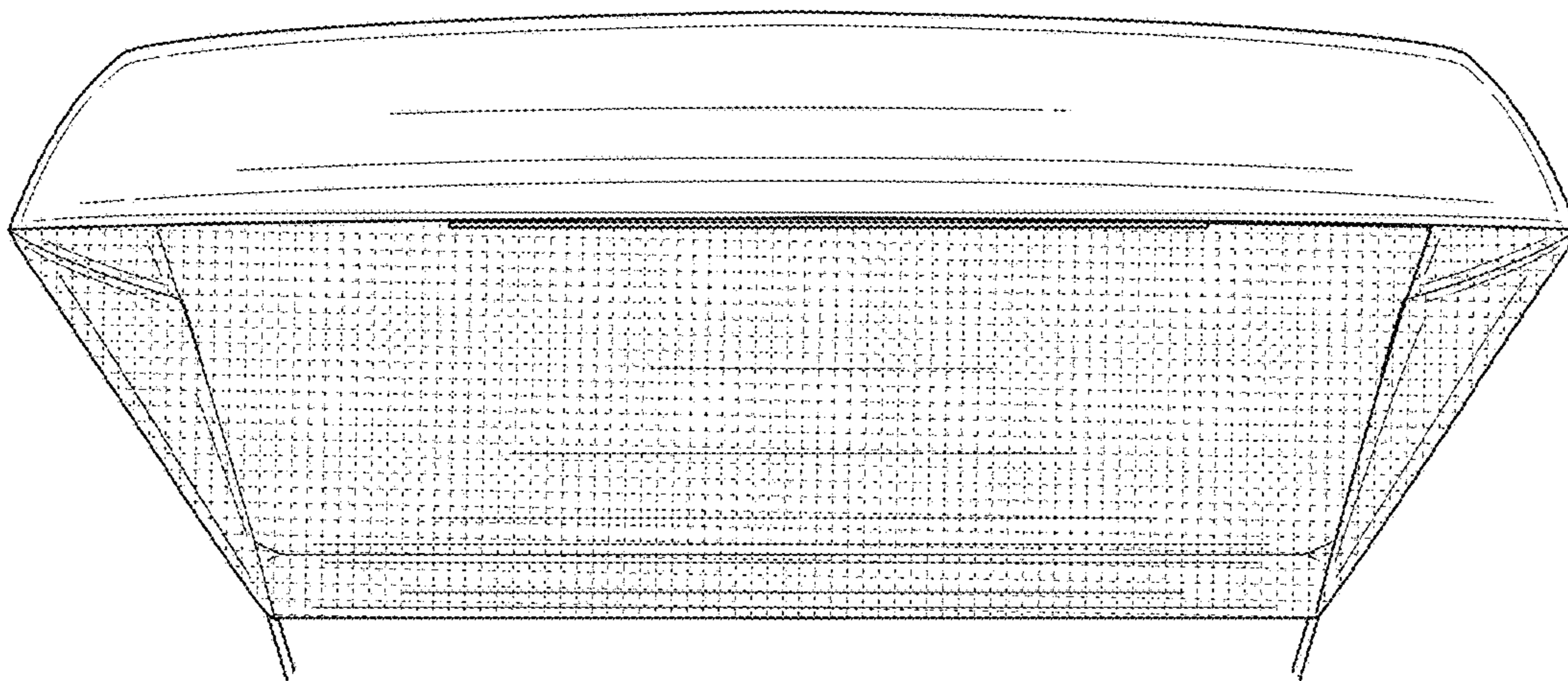


FIG. 4

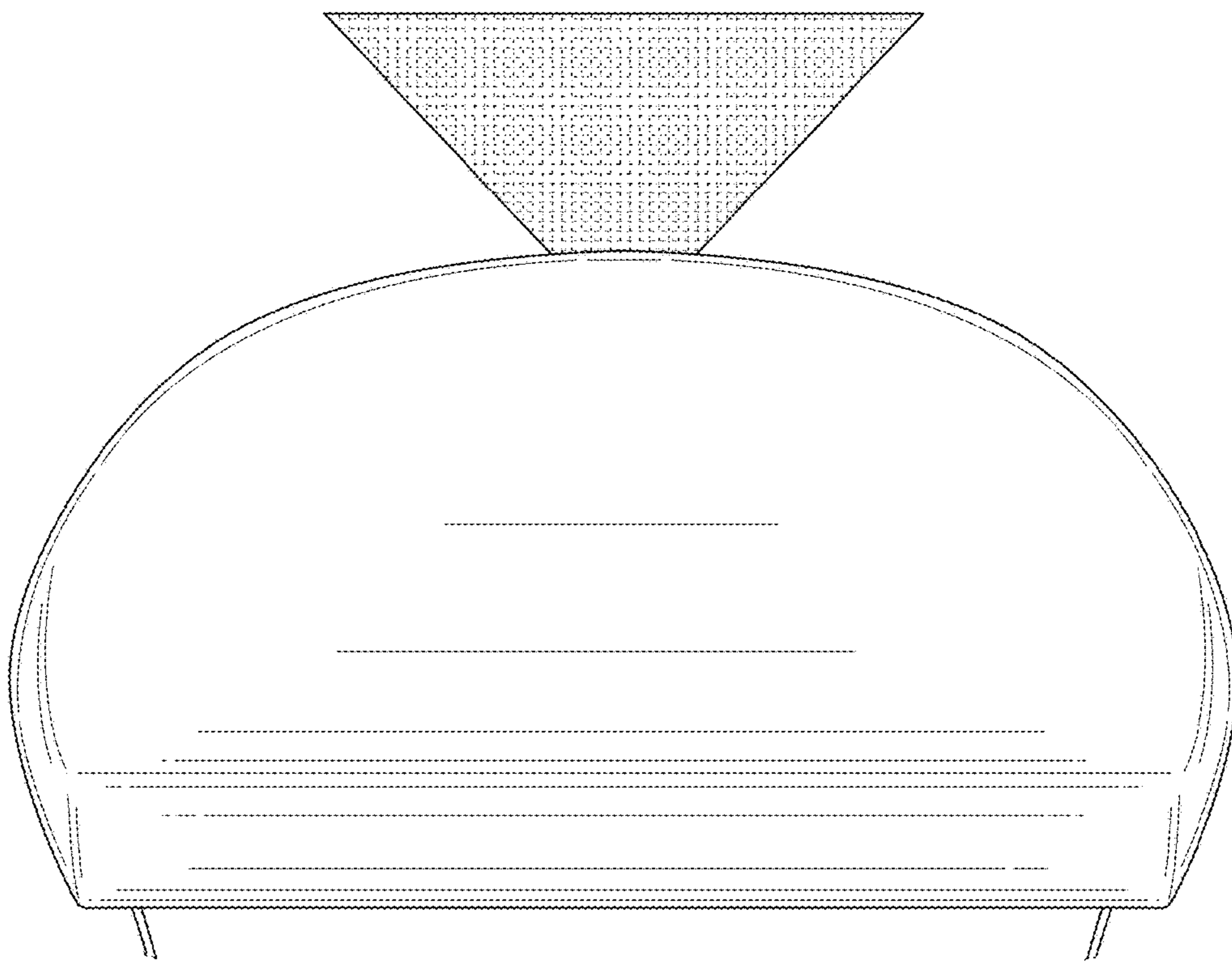


FIG. 5

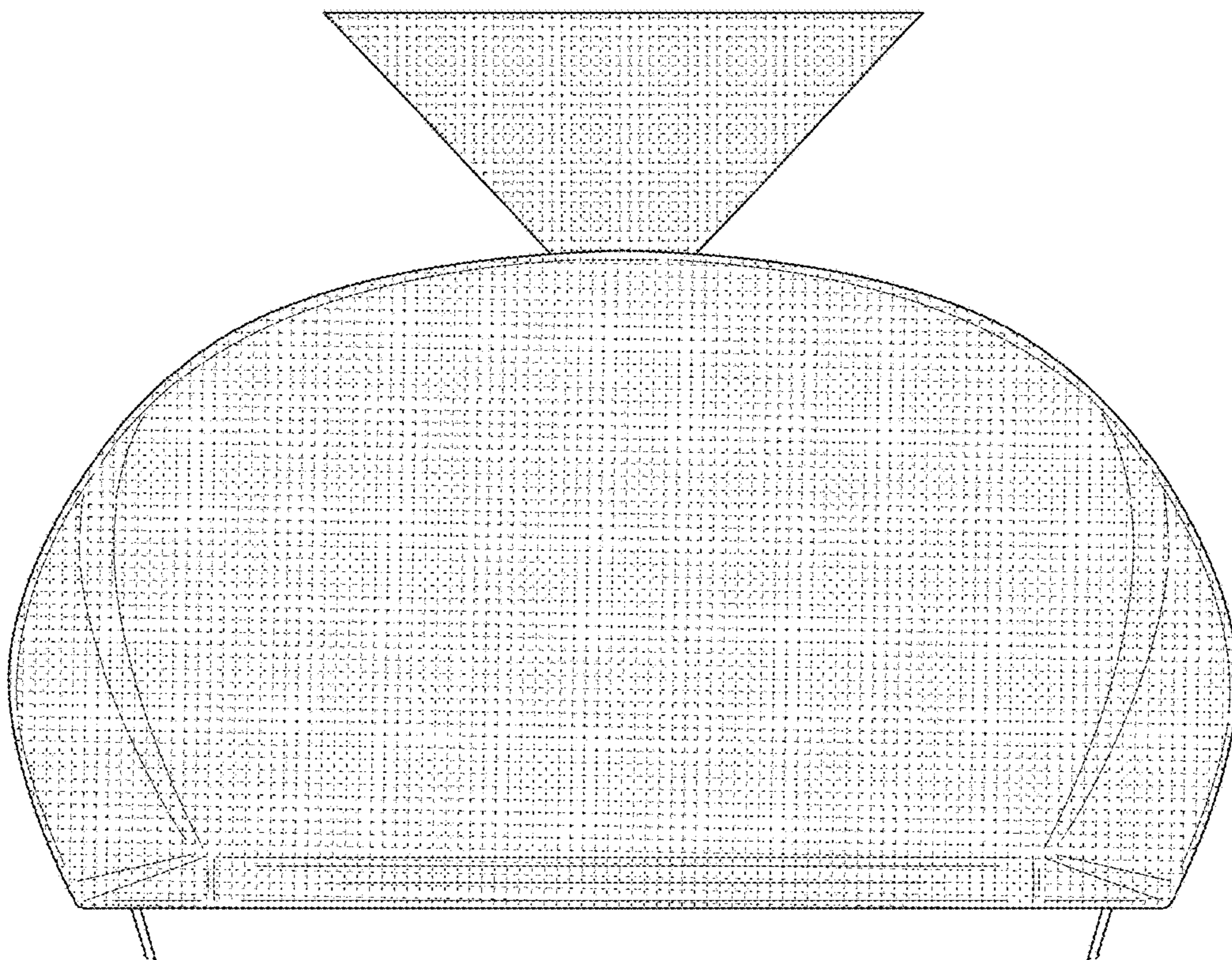


FIG. 6

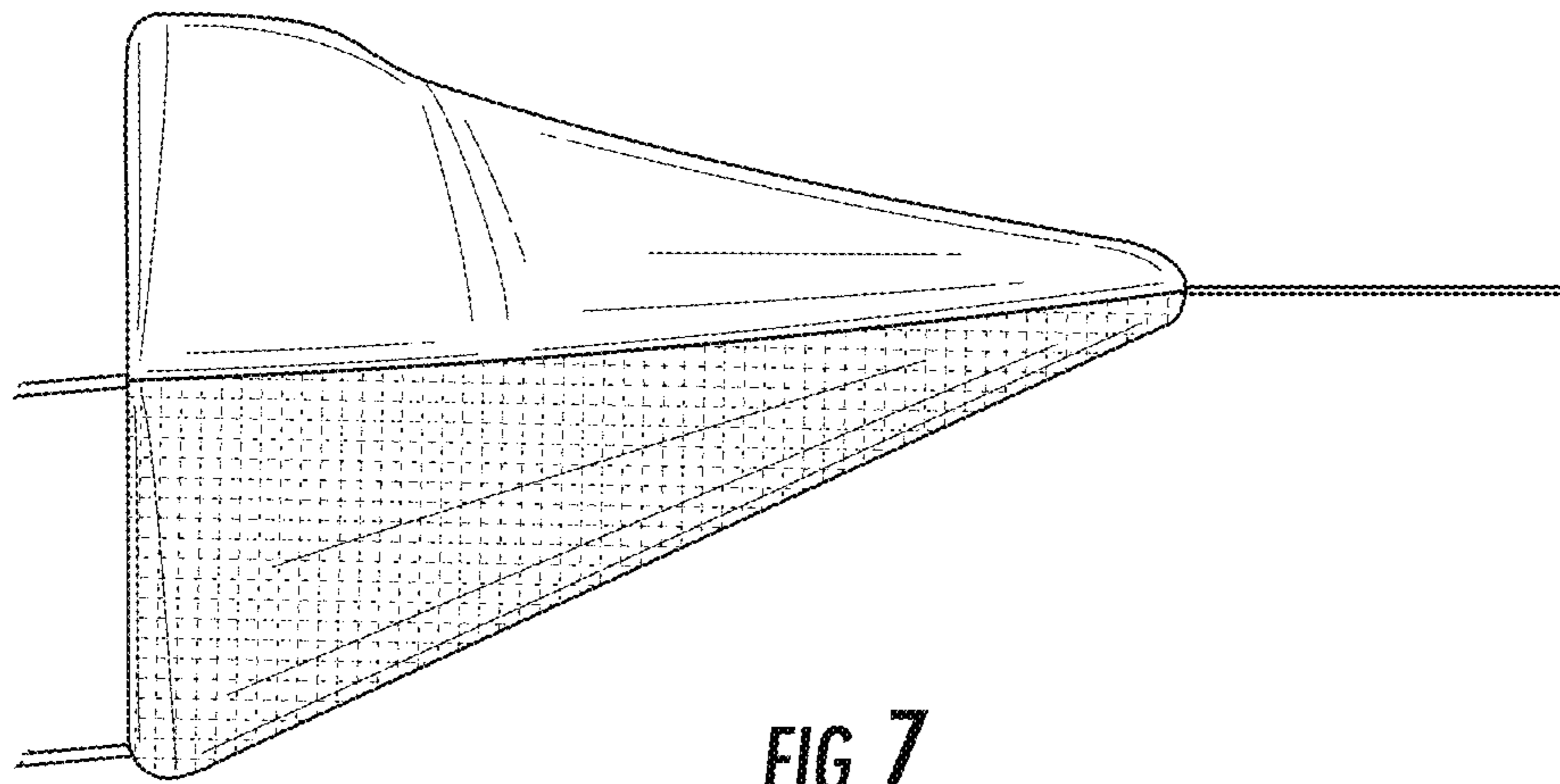


FIG. 7

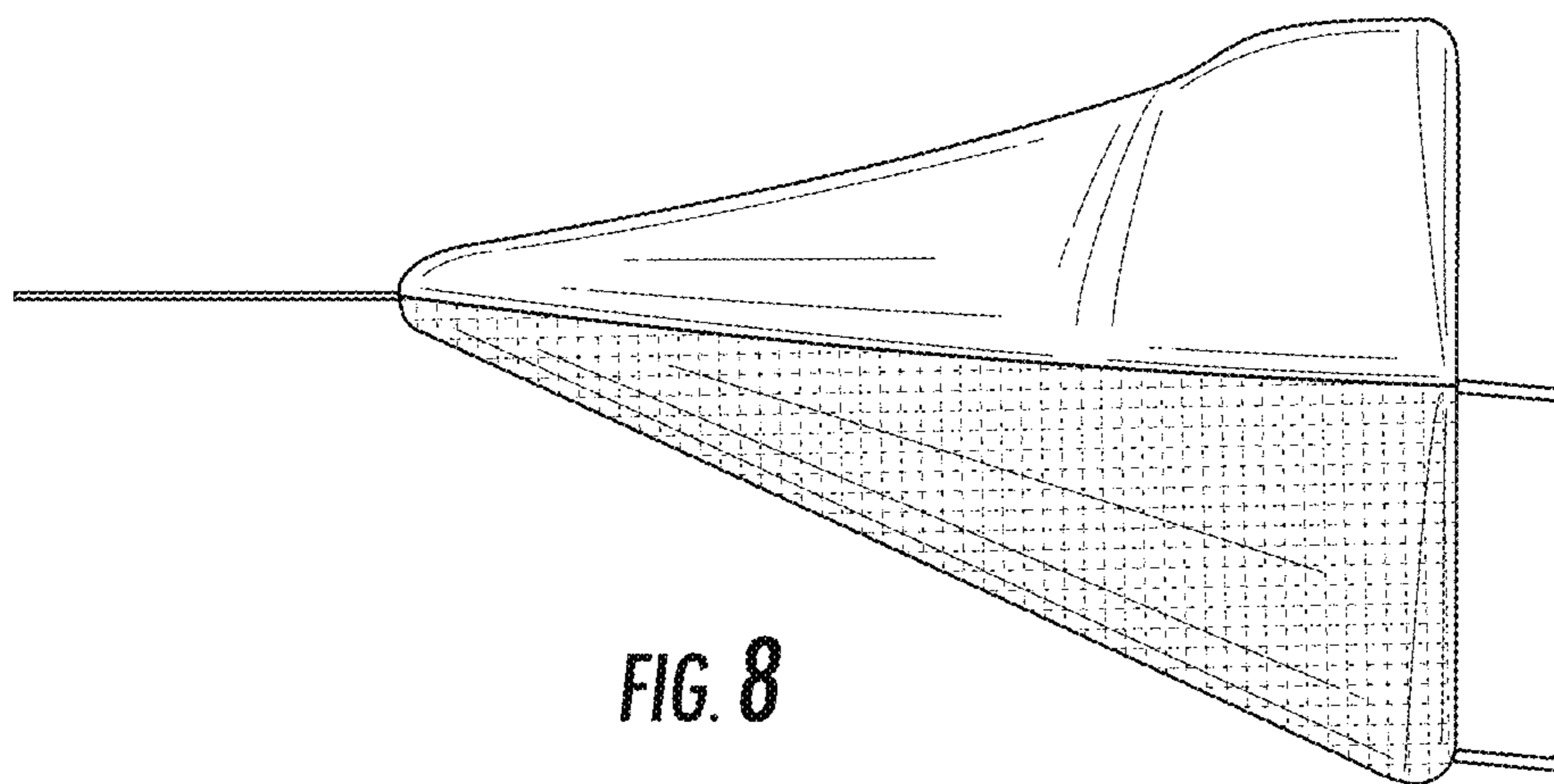


FIG. 8